

LM431

Adjustable Precision Zener Shunt Regulator

General Description

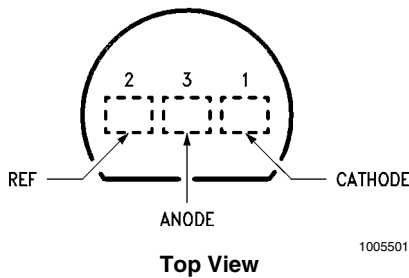
The LM431 is a 3-terminal adjustable shunt regulator with guaranteed temperature stability over the entire temperature range of operation. The output voltage may be set at any level greater than 2.5V (V_{REF}) up to 36V merely by selecting two external resistors that act as a voltage divided network. Due to the sharp turn-on characteristics this device is an excellent replacement for many zener diode applications.

Features

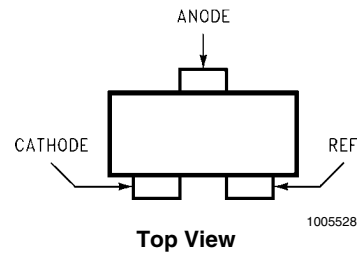
- Average temperature coefficient 50 ppm/°C
- Temperature compensated for operation over the full temperature range
- Programmable output voltage
- Fast turn-on response
- Low output noise

Connection Diagrams

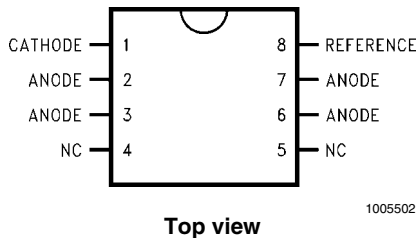
TO-92: Plastic Package



SOT-23: 3-Lead Small Outline



SO-8: 8-Pin Surface Mount

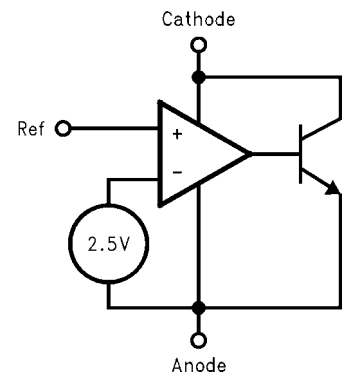
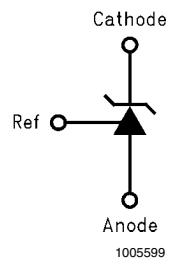


Note: NC = Not internally connected.

Ordering Information

Package	Typical Accuracy Order Number/Package Marking			Temperature Range	Transport Media	NSC Drawing
	0.5%	1%	2%			
TO-92	LM431CCZ/ LM431CCZ	LM431BCZ/ LM431BCZ	LM431ACZ/ LM431ACZ	0°C to +70°C	Rails	Z03A
	LM431CIZ/ LM431CIZ	LM431BIZ/ LM431BIZ	LM431AIZ/ LM431AIZ	-40°C to +85°C		
SO-8	LM431CCM/ 431CCM	LM431BCM/ 431BCM	LM431ACM/ LM431ACM	0°C to +70°C	Rails	M08A
	LM431CCMX/ 431CCM	LM431BCMX/ 431BCM	LM431ACMX/ LM431ACM		Tape & Reel	
	LM431CIM/ 431CIM	LM431BIM/ 431BIM	LM431AIM/ LM431AIM	-40°C to +85°C	Rails	
	LM431CIMX/ 431CIM	LM431BIMX/ 431BIM	LM431AIMX/ LM431AIM		Tape & Reel	
SOT-23	LM431CCM3/ N1B	LM431BCM3/ N1D	LM431ACM3/ N1F	0°C to +70°C	Rails	MF03A
	LM431CCM3X/ N1B	LM431BCM3X/ N1D	LM431ACM3X/ N1F		Tape & Reel	
	LM431CIM3 N1A	LM431BIM3 N1C	LM431AIM3 N1E	-40°C to +85°C	Rails	
	LM431CIM3X N1A	LM431BIM3X N1C	LM431AIM3X N1E		Tape & Reel	

Symbol and Functional Diagrams



DC Test Circuits

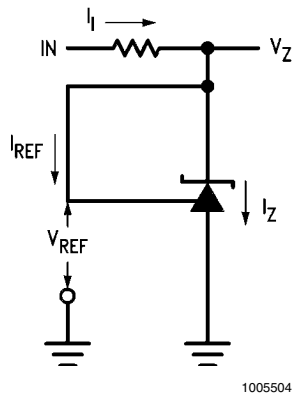
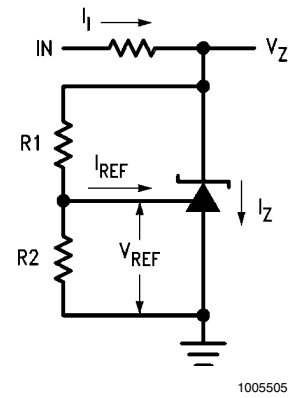


FIGURE 1. Test Circuit for $V_Z = V_{REF}$



Note: $V_Z = V_{REF} (1 + R1/R2) + I_{REF} \cdot R1$

FIGURE 2. Test Circuit for $V_Z > V_{REF}$

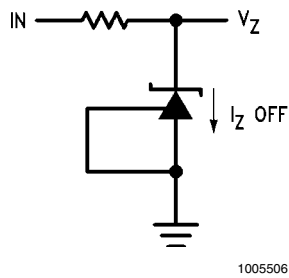


FIGURE 3. Test Circuit for Off-State Current

Absolute Maximum Ratings *(Note 1)*

If Military/Aerospace specified devices are required, please contact the National Semiconductor Sales Office/Distributors for availability and specifications.

Storage Temperature Range	-65°C to +150°C
Operating Temperature Range	
Industrial (LM431xI)	-40°C to +85°C
Commercial (LM431xC)	0°C to +70°C
Soldering Information	
Infrared or Convection (20 sec.)	235°C
Wave Soldering (10 sec.)	260°C (lead temp.)
Cathode Voltage	37V
Continuous Cathode Current	-10 mA to +150 mA
Reference Voltage	-0.5V
Reference Input Current	10 mA
Internal Power Dissipation <i>(Note 2, Note 3)</i>	
TO-92 Package	0.78W
SO-8 Package	0.81W
SOT-23 Package	0.28W

Operating Conditions

	Min	Max
Cathode Voltage	V_{REF}	37V
Cathode Current	1.0 mA	100 mA

LM431 Electrical Characteristics

$T_A = 25^\circ\text{C}$ unless otherwise specified

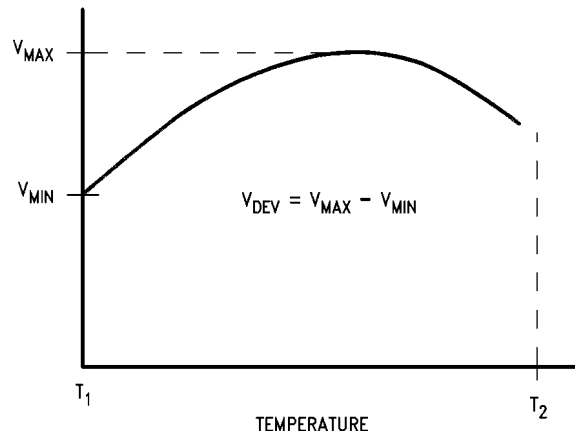
Symbol	Parameter	Conditions	Min	Typ	Max	Units
V_{REF}	Reference Voltage	$V_Z = V_{REF}$, $I_1 = 10\text{ mA}$ LM431A <i>(Figure 1)</i>	2.440	2.495	2.550	V
		$V_Z = V_{REF}$, $I_1 = 10\text{ mA}$ LM431B <i>(Figure 1)</i>	2.470	2.495	2.520	V
		$V_Z = V_{REF}$, $I_1 = 10\text{ mA}$ LM431C <i>(Figure 1)</i>	2.485	2.500	2.510	V
V_{DEV}	Deviation of Reference Input Voltage Over Temperature <i>(Note 4)</i>	$V_Z = V_{REF}$, $I_1 = 10\text{ mA}$, $T_A = \text{Full Range}$ <i>(Figure 1)</i>		8.0	17	mV
$\frac{\Delta V_{REF}}{\Delta V_Z}$	Ratio of the Change in Reference Voltage to the Change in Cathode Voltage	$I_2 = 10\text{ mA}$ <i>(Figure 2)</i>	V_Z from V_{REF} to 10V	-1.4	-2.7	mV/V
			V_Z from 10V to 36V	-1.0	-2.0	
I_{REF}	Reference Input Current	$R_1 = 10\text{ k}\Omega$, $R_2 = \infty$, $I_1 = 10\text{ mA}$ <i>(Figure 2)</i>		2.0	4.0	μA
I_{REF}	Deviation of Reference Input Current over Temperature	$R_1 = 10\text{ k}\Omega$, $R_2 = \infty$, $I_1 = 10\text{ mA}$, $T_A = \text{Full Range}$ <i>(Figure 2)</i>		0.4	1.2	μA
$I_{Z(MIN)}$	Minimum Cathode Current for Regulation	$V_Z = V_{REF}$ <i>(Figure 1)</i>		0.4	1.0	mA
$I_{Z(OFF)}$	Off-State Current	$V_Z = 36\text{V}$, $V_{REF} = 0\text{V}$ <i>(Figure 3)</i>		0.3	1.0	μA
r_Z	Dynamic Output Impedance <i>(Note 5)</i>	$V_Z = V_{REF}$, LM431A, Frequency = 0 Hz <i>(Figure 1)</i>			0.75	Ω
		$V_Z = V_{REF}$, LM431B, LM431C Frequency = 0 Hz <i>(Figure 1)</i>			0.50	Ω

Note 1: Absolute Maximum Ratings indicate limits beyond which damage to the device may occur. Electrical specifications do not apply when operating the device beyond its rated operating conditions.

Note 2: $T_{J\text{Max}} = 150^\circ\text{C}$.

Note 3: Ratings apply to ambient temperature at 25°C . Above this temperature, derate the TO-92 at $6.2\text{ mW}/^\circ\text{C}$, the SO-8 at $6.5\text{ mW}/^\circ\text{C}$, the SOT-23 at $2.2\text{ mW}/^\circ\text{C}$.

Note 4: Deviation of reference input voltage, V_{DEV} , is defined as the maximum variation of the reference input voltage over the full temperature range.



1005507

The average temperature coefficient of the reference input voltage, V_{REF} , is defined as:

$$\propto V_{REF} \frac{\text{ppm}}{^{\circ}\text{C}} = \frac{\pm \left[\frac{V_{\text{Max}} - V_{\text{Min}}}{V_{\text{REF}}(\text{at } 25^{\circ}\text{C})} \right] 10^6}{T_2 - T_1} = \frac{\pm \left[\frac{V_{\text{DEV}}}{V_{\text{REF}}(\text{at } 25^{\circ}\text{C})} \right] 10^6}{T_2 - T_1}$$

Where:

$T_2 - T_1$ = full temperature change (0-70°C).

V_{REF} can be positive or negative depending on whether the slope is positive or negative.

Example: $V_{DEV} = 8.0 \text{ mV}$, $V_{REF} = 2495 \text{ mV}$, $T_2 - T_1 = 70^{\circ}\text{C}$, slope is positive.

$$\propto V_{REF} = \frac{\left[\frac{8.0 \text{ mV}}{2495 \text{ mV}} \right] 10^6}{70^{\circ}\text{C}} = +46 \text{ ppm}/^{\circ}\text{C}$$

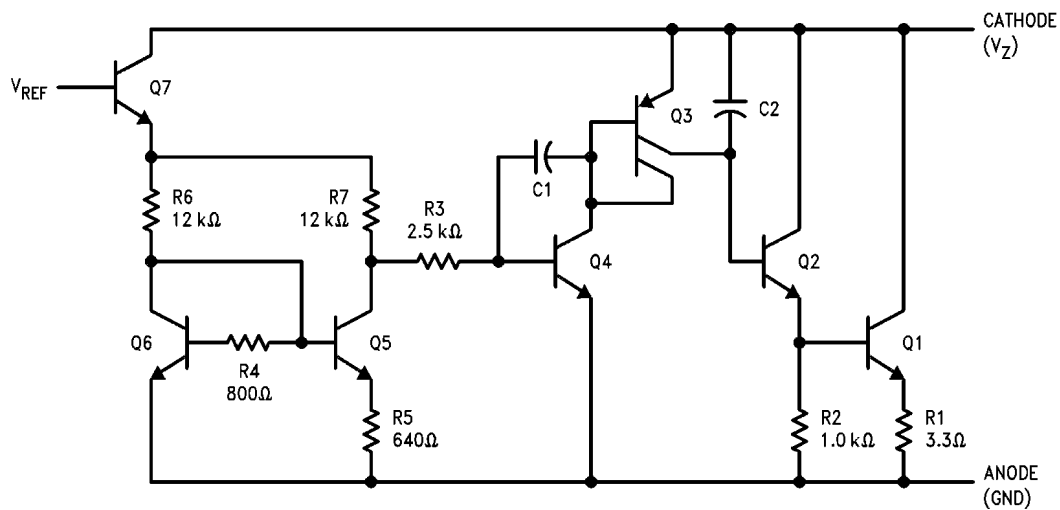
Note 5: The dynamic output impedance, r_z , is defined as:

$$r_z = \frac{\Delta V_Z}{\Delta I_Z}$$

When the device is programmed with two external resistors, R_1 and R_2 , (see [Figure 2](#)), the dynamic output impedance of the overall circuit, r_z , is defined as:

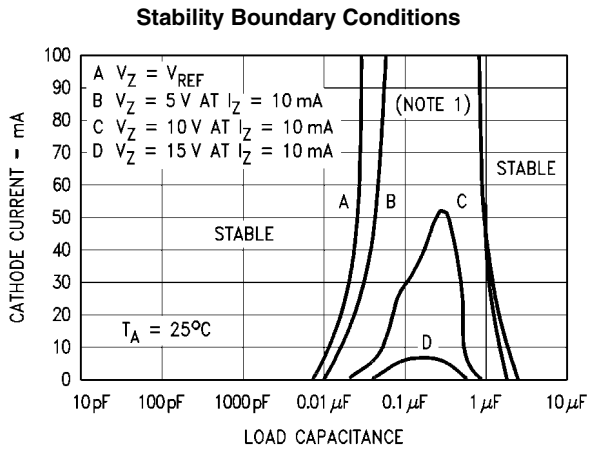
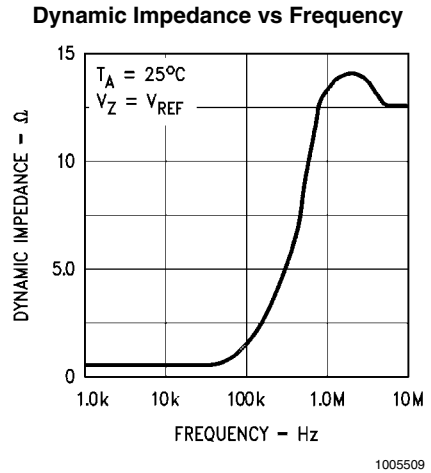
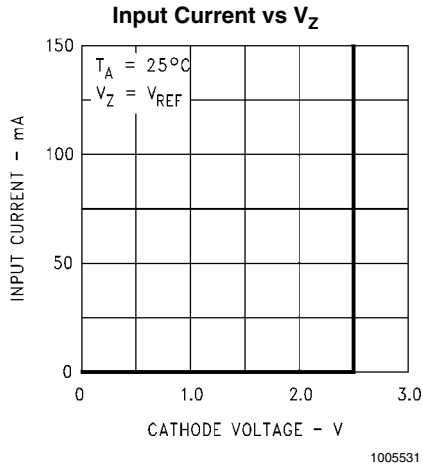
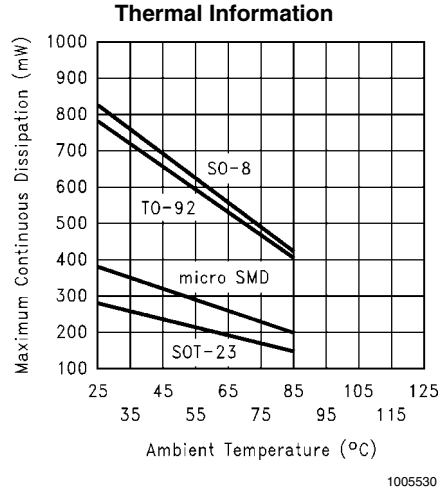
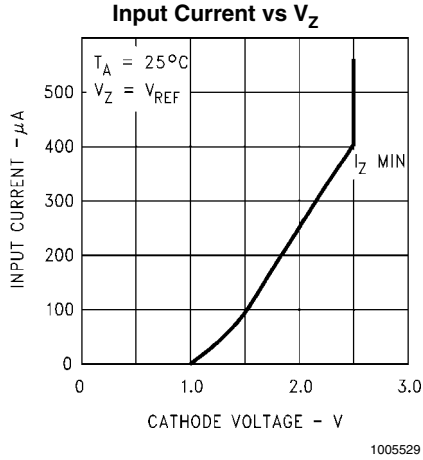
$$r_z = \frac{\Delta V_Z}{\Delta I_Z} \cong \left[r_z \left(1 + \frac{R_1}{R_2} \right) \right]$$

Equivalent Circuit

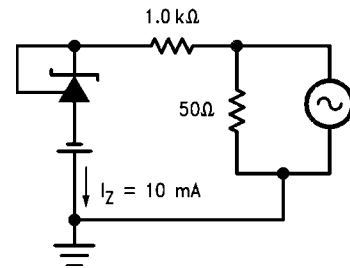


1005503

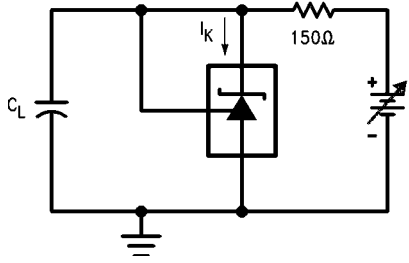
Typical Performance Characteristics



Note: The areas under the curves represent conditions that may cause the device to oscillate. For curves B, C, and D, R_2 and V^+ were adjusted to establish the initial V_Z and I_Z conditions with $C_L = 0$. V^+ and C_L were then adjusted to determine the ranges of stability.

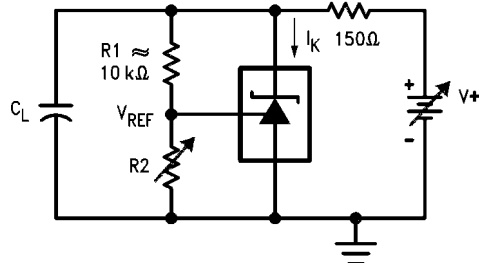


Test Circuit for Curve A Above



1005512

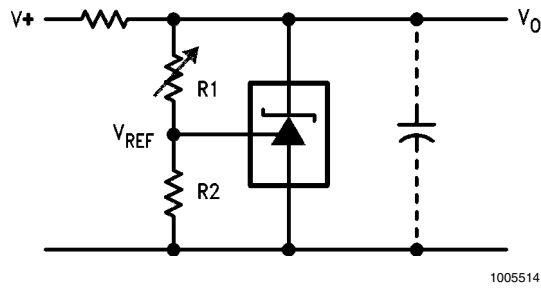
Test Circuit for Curves B, C and D Above



1005513

Typical Applications

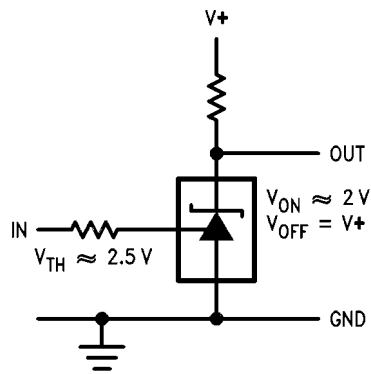
Shunt Regulator



1005514

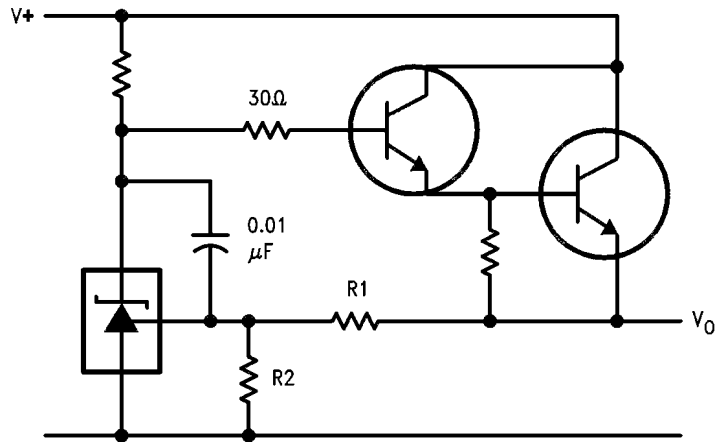
$$V_O \approx \left(1 + \frac{R_1}{R_2}\right) V_{REF}$$

Single Supply Comparator with Temperature Compensated Threshold



1005515

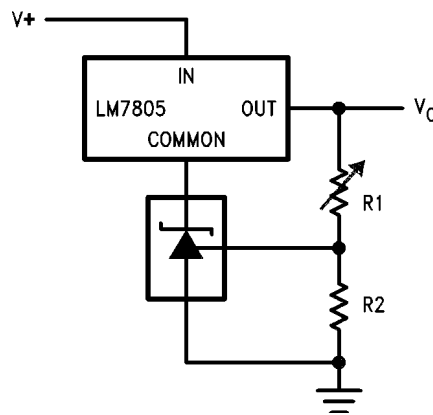
Series Regulator



1005516

$$V_O \approx \left(1 + \frac{R_1}{R_2} \right) V_{REF}$$

Output Control of a Three Terminal Fixed Regulator

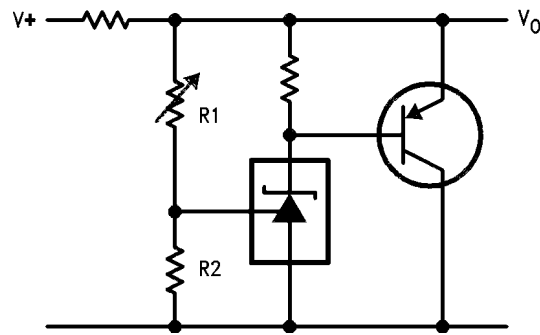


1005517

$$V_O = \left(1 + \frac{R_1}{R_2} \right) V_{REF}$$

$$V_{O \text{ MIN}} = V_{REF} + 5V$$

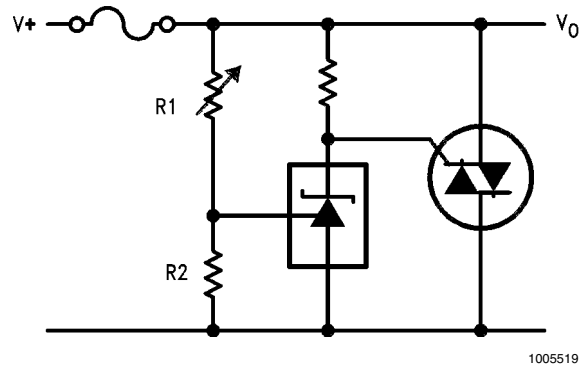
Higher Current Shunt Regulator



1005518

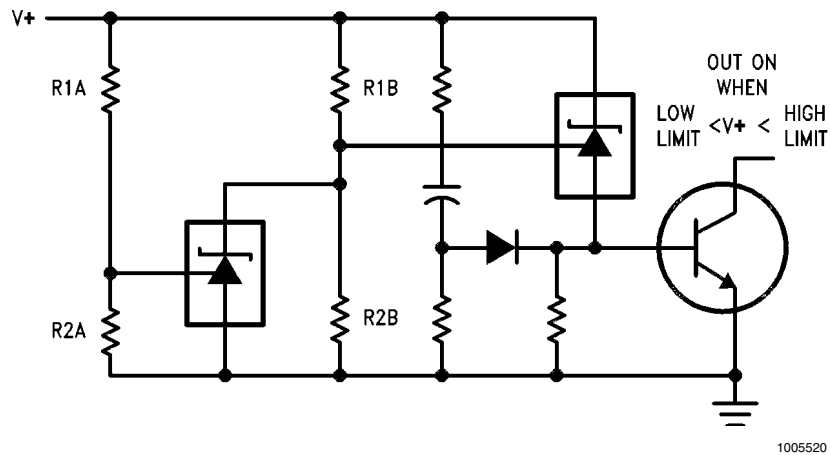
$$V_O \approx \left(1 + \frac{R_1}{R_2} \right) V_{REF}$$

Crow Bar



$$V_{LIMIT} \approx \left(1 + \frac{R1}{R2}\right) V_{REF}$$

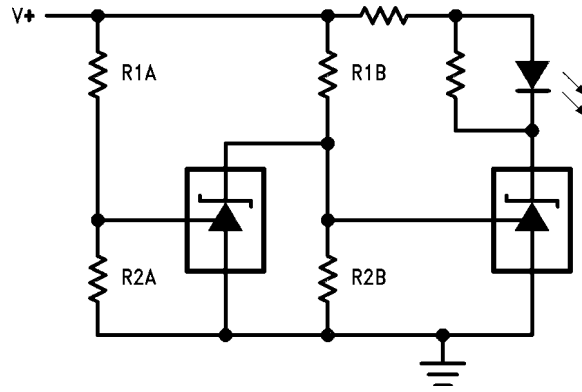
Over Voltage/Under Voltage Protection Circuit



$$LOW\ LIMIT \approx V_{REF} \left(1 + \frac{R1B}{R2B}\right) + V_{BE}$$

$$HIGH\ LIMIT \approx V_{REF} \left(1 + \frac{R1A}{R2A}\right)$$

Voltage Monitor

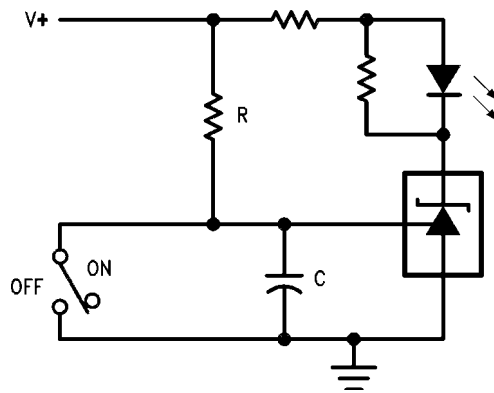


1005521

LOW LIMIT $\approx V_{REF} \left(1 + \frac{R1B}{R2B} \right)$ LED ON WHEN LOW LIMIT $< V^+ <$ HIGH LIMIT

HIGH LIMIT $\approx V_{REF} \left(1 + \frac{R1A}{R2A} \right)$

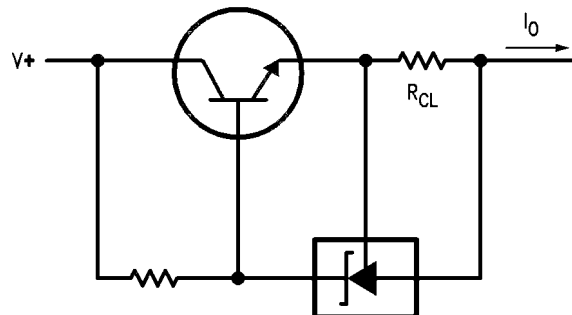
Delay Timer



1005522

$$DELAY = R \cdot C \cdot \ln \frac{V^+}{(V^+) - V_{REF}}$$

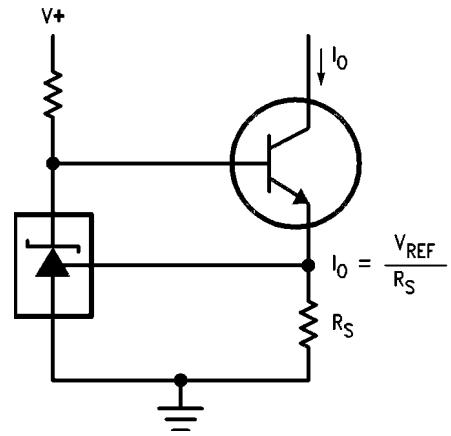
Current Limiter or Current Source



1005523

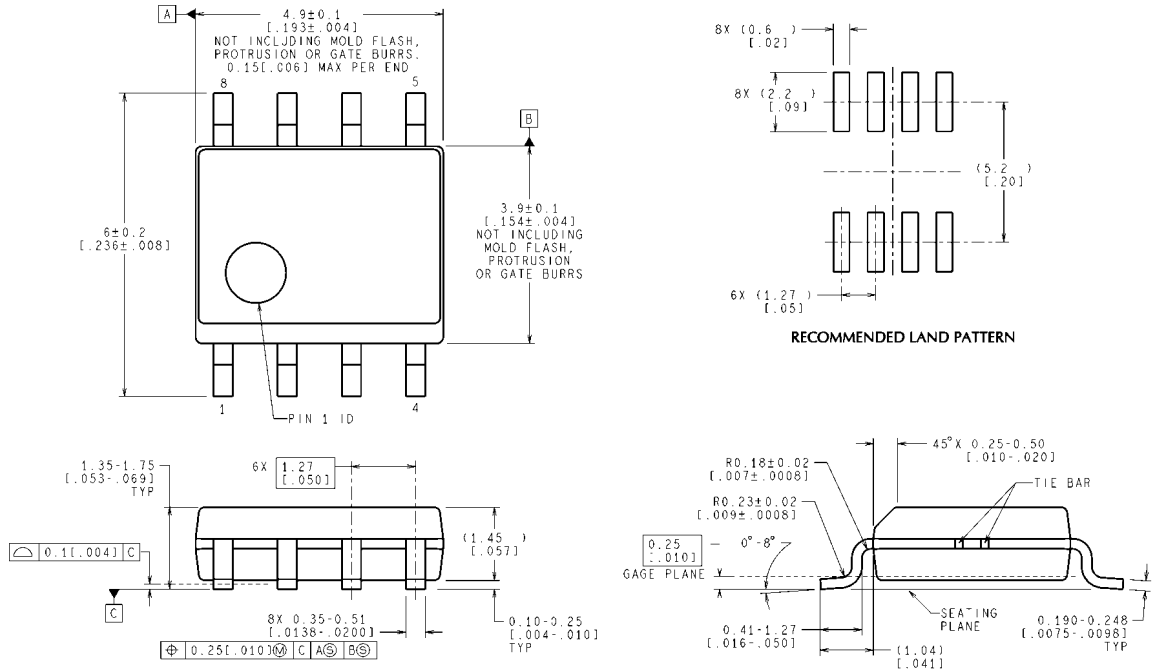
$$I_O = \frac{V_{REF}}{R_{CL}}$$

Constant Current Sink



1005524

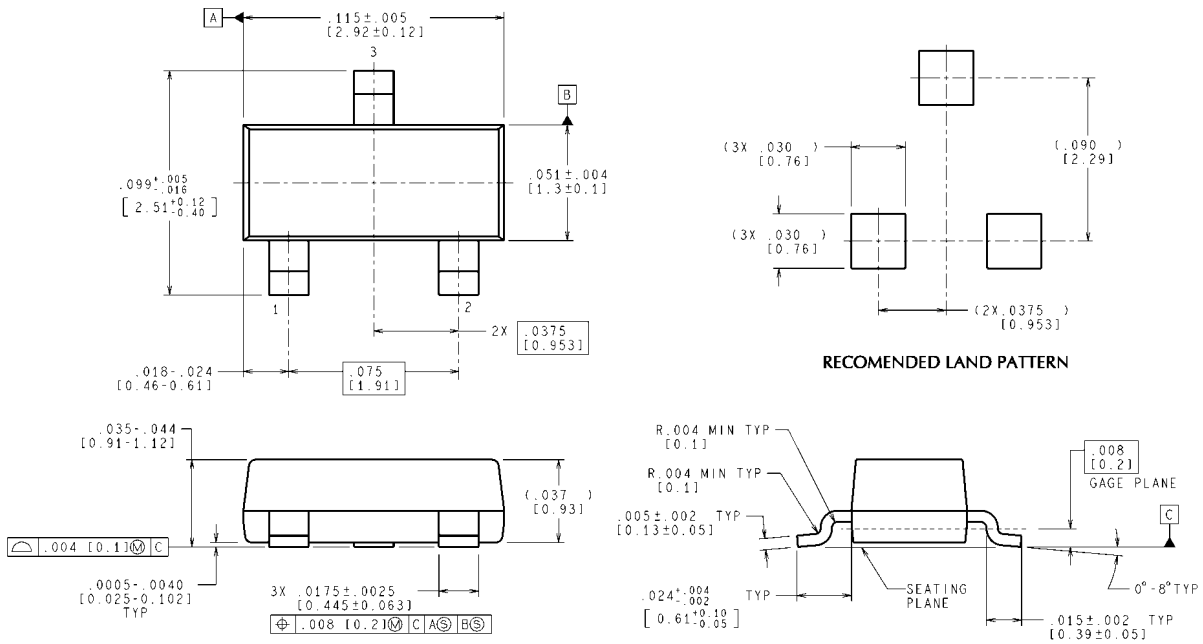
Physical Dimensions inches (millimeters) unless otherwise noted



CONTROLLING DIMENSION IS MILLIMETER
VALUES IN [] ARE INCHES
DIMENSIONS IN () FOR REFERENCE ONLY

8-Pin SOIC
NS Package Number M08A

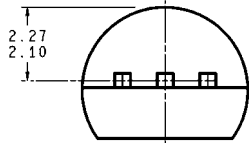
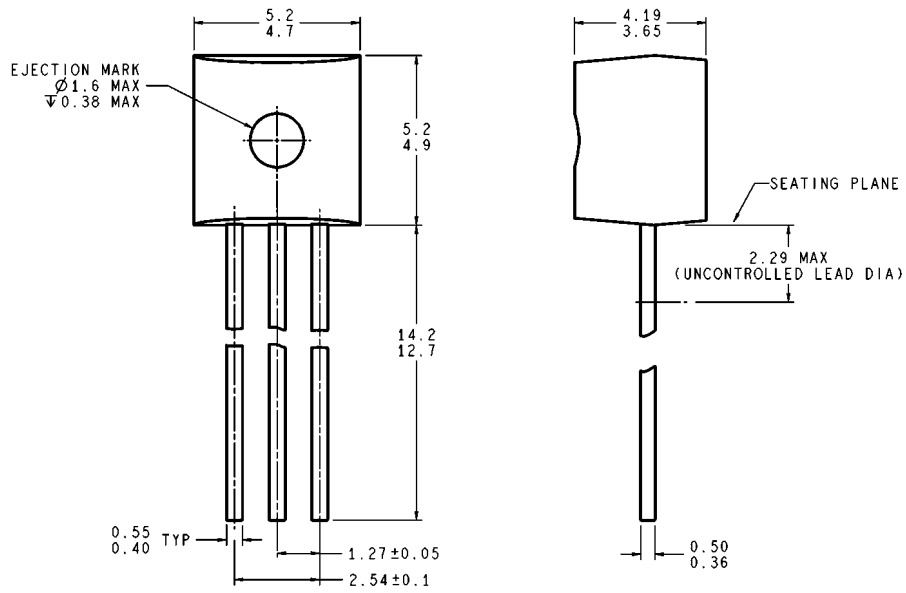
M08A (Rev M)



CONTROLLING DIMENSION IS INCH
VALUES IN [] ARE MILLIMETERS

SOT-23 Molded Small Outline Transistor Package (M3)
NS Package Number MF03A

M03A (Rev B)



DIMENSIONS ARE IN MILLIMETERS

Z03A (Rev G)

NS Package Number Z03A

Notes

For more National Semiconductor product information and proven design tools, visit the following Web sites at:
www.national.com

Products		Design Support	
Amplifiers	www.national.com/amplifiers	WEBENCH® Tools	www.national.com/webench
Audio	www.national.com/audio	App Notes	www.national.com/appnotes
Clock and Timing	www.national.com/timing	Reference Designs	www.national.com/refdesigns
Data Converters	www.national.com/adc	Samples	www.national.com/samples
Interface	www.national.com/interface	Eval Boards	www.national.com/evalboards
LVDS	www.national.com/lvds	Packaging	www.national.com/packaging
Power Management	www.national.com/power	Green Compliance	www.national.com/quality/green
Switching Regulators	www.national.com/switchers	Distributors	www.national.com/contacts
LDOs	www.national.com/ldo	Quality and Reliability	www.national.com/quality
LED Lighting	www.national.com/led	Feedback/Support	www.national.com/feedback
Voltage References	www.national.com/vref	Design Made Easy	www.national.com/easy
PowerWise® Solutions	www.national.com/powerwise	Applications & Markets	www.national.com/solutions
Serial Digital Interface (SDI)	www.national.com/sdi	Mil/Aero	www.national.com/milaero
Temperature Sensors	www.national.com/tempensors	SolarMagic™	www.national.com/solarmagic
PLL/VCO	www.national.com/wireless	PowerWise® Design University	www.national.com/training

THE CONTENTS OF THIS DOCUMENT ARE PROVIDED IN CONNECTION WITH NATIONAL SEMICONDUCTOR CORPORATION ("NATIONAL") PRODUCTS. NATIONAL MAKES NO REPRESENTATIONS OR WARRANTIES WITH RESPECT TO THE ACCURACY OR COMPLETENESS OF THE CONTENTS OF THIS PUBLICATION AND RESERVES THE RIGHT TO MAKE CHANGES TO SPECIFICATIONS AND PRODUCT DESCRIPTIONS AT ANY TIME WITHOUT NOTICE. NO LICENSE, WHETHER EXPRESS, IMPLIED, ARISING BY ESTOPPEL OR OTHERWISE, TO ANY INTELLECTUAL PROPERTY RIGHTS IS GRANTED BY THIS DOCUMENT.

TESTING AND OTHER QUALITY CONTROLS ARE USED TO THE EXTENT NATIONAL DEEMS NECESSARY TO SUPPORT NATIONAL'S PRODUCT WARRANTY. EXCEPT WHERE MANDATED BY GOVERNMENT REQUIREMENTS, TESTING OF ALL PARAMETERS OF EACH PRODUCT IS NOT NECESSARILY PERFORMED. NATIONAL ASSUMES NO LIABILITY FOR APPLICATIONS ASSISTANCE OR BUYER PRODUCT DESIGN. BUYERS ARE RESPONSIBLE FOR THEIR PRODUCTS AND APPLICATIONS USING NATIONAL COMPONENTS. PRIOR TO USING OR DISTRIBUTING ANY PRODUCTS THAT INCLUDE NATIONAL COMPONENTS, BUYERS SHOULD PROVIDE ADEQUATE DESIGN, TESTING AND OPERATING SAFEGUARDS.

EXCEPT AS PROVIDED IN NATIONAL'S TERMS AND CONDITIONS OF SALE FOR SUCH PRODUCTS, NATIONAL ASSUMES NO LIABILITY WHATSOEVER, AND NATIONAL DISCLAIMS ANY EXPRESS OR IMPLIED WARRANTY RELATING TO THE SALE AND/OR USE OF NATIONAL PRODUCTS INCLUDING LIABILITY OR WARRANTIES RELATING TO FITNESS FOR A PARTICULAR PURPOSE, MERCHANTABILITY, OR INFRINGEMENT OF ANY PATENT, COPYRIGHT OR OTHER INTELLECTUAL PROPERTY RIGHT.

LIFE SUPPORT POLICY

NATIONAL'S PRODUCTS ARE NOT AUTHORIZED FOR USE AS CRITICAL COMPONENTS IN LIFE SUPPORT DEVICES OR SYSTEMS WITHOUT THE EXPRESS PRIOR WRITTEN APPROVAL OF THE CHIEF EXECUTIVE OFFICER AND GENERAL COUNSEL OF NATIONAL SEMICONDUCTOR CORPORATION. As used herein:

Life support devices or systems are devices which (a) are intended for surgical implant into the body, or (b) support or sustain life and whose failure to perform when properly used in accordance with instructions for use provided in the labeling can be reasonably expected to result in a significant injury to the user. A critical component is any component in a life support device or system whose failure to perform can be reasonably expected to cause the failure of the life support device or system or to affect its safety or effectiveness.

National Semiconductor and the National Semiconductor logo are registered trademarks of National Semiconductor Corporation. All other brand or product names may be trademarks or registered trademarks of their respective holders.

Copyright© 2010 National Semiconductor Corporation

For the most current product information visit us at www.national.com



**National Semiconductor
Americas Technical
Support Center**
Email: support@nsc.com
Tel: 1-800-272-9959

**National Semiconductor Europe
Technical Support Center**
Email: europe.support@nsc.com

**National Semiconductor Asia
Pacific Technical Support Center**
Email: ap.support@nsc.com

**National Semiconductor Japan
Technical Support Center**
Email: jpn.feedback@nsc.com