

# DATA SHEET

**TEA6360**

**5-band stereo equalizer circuit**

Preliminary specification  
File under Integrated Circuits, IC01

May 1991

## 5-band stereo equalizer circuit

TEA6360

## FEATURES

- Monolithic integrated 5-band stereo equalizer circuit
- Five filters for each channel
- Centre frequency, bandwidth and maximum boost/cut defined by external components
- Choose for variable or constant Q-factor via I<sup>2</sup>C software
- Defeat mode
- All stages are DC-coupled
- I<sup>2</sup>C-bus control for all functions
- Two different modul addresses programmable.



## GENERAL DESCRIPTION

The 5-band stereo equalizer is an I<sup>2</sup>C-bus controlled tone processor for application in car radio sets, TV sets and music centres. It offers the possibility of sound control as well as equalization of sound pressure behaviour of different rooms or loudspeakers, especially in cars.

## QUICK REFERENCE DATA

SYMBOL	PARAMETER	MIN.	TYP.	MAX.	UNIT
V <sub>p</sub>	supply voltage (pin 14)	7	8.5	13.2	V
I <sub>p</sub>	supply current	–	24.5	–	mA
V <sub>1,32</sub>	input voltage range	–	2.1 to V <sub>P-1</sub>	–	V
V <sub>o</sub>	maximum output signal level (RMS value, pins 13 and 20)	– 1.1		–	V
G <sub>v</sub>	total signal gain, all filters linear	–0.5	–	0	dB
B	–1 dB frequency response (linear)	0 to 20	–	–	kHz
T <sub>amb</sub>	operating ambient temperature	–40	–	85	°C

## ORDERING INFORMATION

EXTENDED TYPE NUMBER	PACKAGE			
	PINS	PIN POSITION	MATERIAL	CODE
TEA6360 <sup>(1)</sup>	32	shrink DIL	plastic	SOT232
TEA6360/T <sup>(2)</sup>	32	mini-pack	plastic	SOT287

## Notes

1. SOT232; SOT232-1; 1996 August 08.
2. SOT287; SOT287-1; 1996 August 08.

5-band stereo equalizer circuit

TEA6360

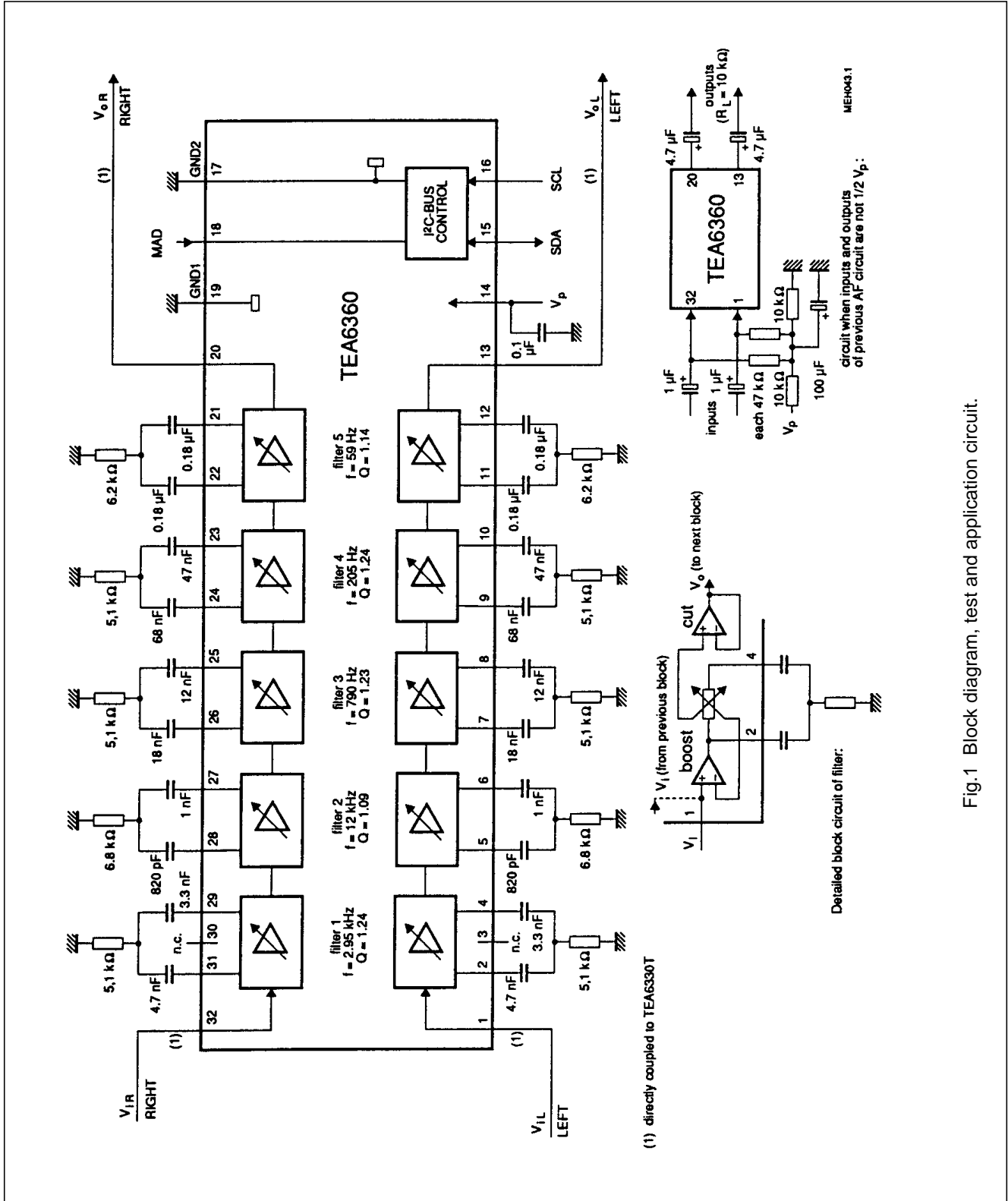


Fig.1 Block diagram, test and application circuit.

5-band stereo equalizer circuit

TEA6360

PINNING

SYMBOL	PIN	DESCRIPTION
V <sub>iL</sub>	1	audio frequency input LEFT
F1LA	2	connection A for filter 1 LEFT (f = 2.95 kHz)
n.c.	3	not connected
F1LB	4	connection B for filter 1 LEFT (f = 2.95 kHz)
F2LA	5	connection A for filter 2 LEFT (f = 12 kHz)
F2LB	6	connection B for filter 2 LEFT (f = 12 kHz)
F3LA	7	connection A for filter 3 LEFT (f = 790 Hz)
F3LB	8	connection B for filter 3 LEFT (f = 790 Hz)
F4LA	9	connection A for filter 4 LEFT (f = 205 Hz)
F4LB	10	connection B for filter 4 LEFT (f = 205 Hz)
F5LA	11	connection A for filter 5 LEFT (f = 59 Hz)
F5LB	12	connection B for filter 5 LEFT (f = 59 Hz)
V <sub>oL</sub>	13	audio frequency output LEFT
V <sub>P</sub>	14	supply voltage (+8.5 V)
SDA	15	I <sup>2</sup> C-bus data line
SCL	16	I <sup>2</sup> C-bus clock line
GND2	17	ground 2 (I <sup>2</sup> C-bus ground)
MAD	18	modul address
GND1	19	ground 1 (analog ground)
V <sub>oR</sub>	20	audio frequency output RIGHT
F5RB	21	connection B for filter 5 RIGHT (f = 59 Hz)
F5RA	22	connection A for filter 5 RIGHT (f = 59 Hz)
F4RB	23	connection B for filter 4 RIGHT (f = 205 Hz)
F4RA	24	connection A for filter 4 RIGHT (f = 205 Hz)
F3RB	25	connection B for filter 3 RIGHT (f = 790 Hz)
F3RA	26	connection A for filter 3 RIGHT (f = 790 Hz)
F2RB	27	connection B for filter 2 RIGHT (f = 12 kHz)
F2RA	28	connection A for filter 2 RIGHT (f = 12 kHz)
F1RB	29	connection B for filter 1 RIGHT (f = 2.95 kHz)
n.c.	30	not connected
F1RA	31	connection A for filter 1 RIGHT (f = 2.95 kHz)
V <sub>iR</sub>	32	audio frequency input RIGHT

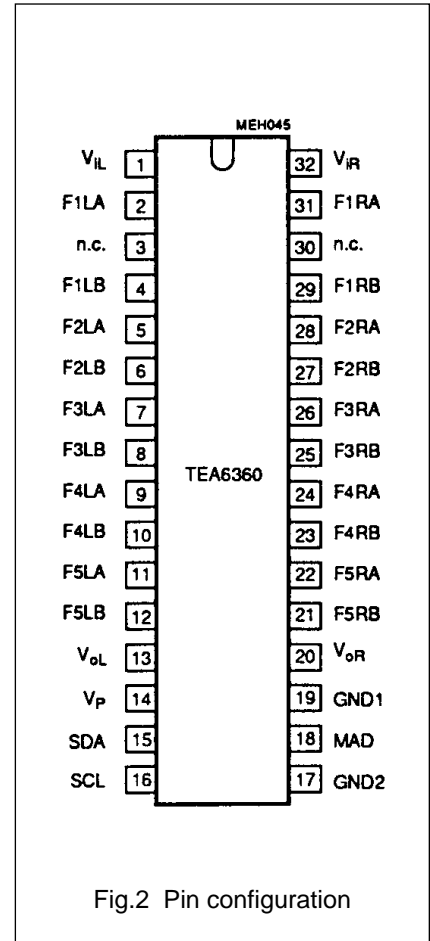


Fig.2 Pin configuration

## 5-band stereo equalizer circuit

## TEA6360

**FUNCTIONAL DESCRIPTION**

The TEA6360 is performed with two stereo channels (RIGHT and LEFT), each one consists of five equal filter amplifiers (Fig.1).

The centre frequencies for the different filters as well as the bandwidth and the control ranges for boost and cut depend on the external components. Each filter can have different external components but for one definite pair of filters the centre frequency as well as the control range for boost and cut are the same. That means, they have symmetrical curves for boost and cut.

The control range (maximum value in dB) is divided into five steps and one extra step for the linear position.

At maximum gain of 12 dB the typical step resolution is 2.4 dB. The internal resistor chain of each filter amplifier is optimized for 12 dB maximum gain. Therefore the typical gain factors for 15 dB application are as follows:

step 1	=	2.7	dB
step 2	=	5.5	dB
step 3	=	8.4	dB
step 4	=	11.6	dB
step 5	=	15.0	dB

The control of the different filters is obtained by selecting the appropriate subaddress byte (Table 1).

**LIMITING VALUES**

In accordance with the Absolute Maximum System (IEC 134).

Ground pins 19, 28 and 43 connected together.

SYMBOL	PARAMETER	MIN.	MAX.	UNIT
$V_P$	supply voltage (pin 14)	0	13.2	V
$V_n$	voltage on all pins, grounds excluded	0	$V_P$	V
$P_{tot}$	total power dissipation	0	500	mW
$T_{stg}$	storage temperature range	-40	150	°C
	storage temperature range	-40	150	°C
$T_{amb}$	operating ambient temperature range	-40	85	°C
$V_{ESD}$	electrostatic handling <sup>(1)</sup> for all pins		±500	V

**Note**

1. Equivalent to discharging a 200 pF capacitor through a 0  $\Omega$  series resistor.

The position of the filter in the left channel and that in the right channel is always the same (stereo).

The position of the boost part and the cut part is independently controllable (Tables 2 and 3).

The quality factor of the filter has its maximum in the maximum position (steps 5), if boost (cut on step 0) or cut (boost on step 0) is used. The quality factor decreases also with the step number (variable quality factor).

In this mode the control pattern are according to Table 4.

A different control is necessary to achieve a constant quality factor over the whole control range. For boost with a constant quality factor over the boost range position +5 is selected and boost control is then performed using cut. This control technique is applied to the cut range with position -5 selected and the boost is varied (Table 5).

The cut part has to follow the boost part in each filter for economic reasons. So the signal is first amplified and then attenuated. This has to be taken into account for the internal level diagram in case of constant quality factor.

This may result in a mode between constant Q and non-constant Q mode; for example for the position +2 it is not necessary to amplify by step +5 and then attenuate by -3 step. The combination of step +4 and step -2 to reach position +2 is a good result (quasi constant quality factor, Table 6).

## 5-band stereo equalizer circuit

## TEA6360

**CHARACTERISTICS**

$V_P = 8.5\text{ V}$ ;  $f_i = 1\text{ kHz}$  ( $R_S = 600\ \Omega$ ),  $R_L = 10\text{ k}\Omega$ ,  $T_{amb} = 25\text{ }^\circ\text{C}$  and measurements taken in Fig.1, unless otherwise specified.

SYMBOL	PARAMETER	CONDITIONS	MIN.	TYP.	MAX.	UNIT
$V_P$	supply voltage. range (pin 14)		7	8.5	13.2	V
$I_P$	supply current (pin 14)	$V_P = 8.5\text{ V}$	–	25.5	–	mA
		$V_P = 12\text{ V}$	–	26.0	–	mA
<b>Analog part</b>						
$R_i$	input resistor (pins 1 and 32)		1	–	–	$M\Omega$
$V_{1,32}$	input voltage range at any stage		2.1 to $V_P - 1$	–	–	V
$V_{13,20}$	output voltage range at any stage		1.0 to $V_P - 1$	–	–	V
$V_o$	output signal level (RMS value, pins 13 and 20)	control range 0 to +5, variable Q-factor or quasi constant Q-factor	1.1	–	–	V
$R_o$	output resistor (pins 13 and 20)		–	100	–	$\Omega$
$R_L$	admissible load resistance at outputs (pins 13 and 20)		2	–	–	$k\Omega$
$C_L$	admissible load capacitance at outputs (pins 13 and 20)		–	–	2.5	nF
$G_v$	total signal gain ( $G = V_o / V_i$ )	all filters linear	–0.5	–	0	dB
B	frequency response	all filters linear, roll off frequency for –1 dB (DC-coupled)				
	minimum value		0	–	–	Hz
	maximum value		20	–	–	kHz
$\alpha_{Cr}$	crosstalk attenuation between channels	$f = 250\text{ to }10000\text{ Hz}$				
	all filters linear		60	75	–	dB
	all filters maximum boost		55	–	–	dB
THD	distortion (pins 13 and 20)	$f = 20\text{ to }12500\text{ Hz}$ $V_P = 8.5\text{ to }12\text{ V}$				
	$V_o\text{ (rms)} = 1.1\text{ V}$	all filters linear	–	0.2	0.5	%
	$V_o\text{ (rms)} = 0.1\text{ V}$	all filters linear	–	0.05	0.2	%
	$V_o\text{ (rms)} = 1.1\text{ V}$	all filters max. boost	–	0.5	1.0	%
	$V_o\text{ (rms)} = 0.1\text{ V}$	all filters max. boost	–	0.1	0.3	%
	$V_o\text{ (rms)} = 0.1\text{ V}$	all filters maximum cut	–	0.2	0.5	%
	$V_o\text{ (rms)} = 1\text{ V}$	all filters max. boost $f = 1\text{ kHz}$	–	–	0.35	%

## 5-band stereo equalizer circuit

## TEA6360

SYMBOL	PARAMETER	CONDITIONS	MIN.	TYP.	MAX.	UNIT
$V_N$	weighted output noise voltage (RMS value)	CCIR 468-3, maximum gain/filter of 12 dB				
	defeat mode		–	8	16	$\mu\text{V}$
	all filters linear		–	23	46	$\mu\text{V}$
	all filters maximum boost		–	70	140	$\mu\text{V}$
	all filters maximum cut		–	23	46	$\mu\text{V}$
$\alpha_{Cr}$	crosstalk between bus inputs and signal outputs, $20 \log (V_{bus(p-p)}/V_o \text{ rms})$	all filters linear	–	120	–	dB
RR	ripple rejection at $V_{ripple} \text{ rms} < 200 \text{ mV}$ for $f = 100 \text{ Hz}$	all filters linear	–	70	–	dB
	for $f = 40 \text{ to } 12500 \text{ Hz}$		–	60	–	dB
<b>Internal filters of analog part</b>						
Q	Q-factor dependent on maximum gain					
	maximum gain 10 dB		0.1	–	1.2	
	maximum gain 12 dB		0.1	–	1.4	
	maximum gain 15 dB		0.1	–	1.8	
$R_{tot}$	total resistor of different filter sections		29.6	37.0	44.4	$\text{k}\Omega$
$\Delta R_{tot}$	tolerance between any filter section		–	–	$\pm 4$	%
<b>Internal controls of analog part via I<sup>2</sup>C-bus</b>						
Step	number of steps for boost or for cut		–	5	–	
	position for linear		–	1	–	
	step resolution	maximum gain 12 dB	–	2.4	–	dB
	step set error		–	0.5	–	dB
$\Delta V_o$	DC offset between any step or neighbouring step or defeat		–	–	$\pm 10$	mV
<b>I<sup>2</sup>C-bus control SDA and SCL (pins 15 and 16)</b>						
$V_{IH}$	input level HIGH		3	–	$V_P$	V
$V_{IL}$	input level LOW		0	–	1.5	V
$I_I$	input current		–	–	$\pm 10$	$\mu\text{A}$
$V_{ACK}$	acknowledge voltage on SDA	$I_{15} = 3 \text{ mA at LOW}$	–	–	0.4	V
<b>Module address bit (pin 18)</b>						
$V_{IH}$	input level HIGH for address 1000 0110		3	–	$V_P$	V
$V_{IL}$	input level LOW for address 1000 0100		0	–	1.5	V
$I_I$	input current		–	–	$\pm 10$	$\mu\text{A}$
<b>Power on reset:</b> When reset is active the DEF-bit (defeat) is set and the I <sup>2</sup> C-bus receiver is in reset position.						
RESET	start of reset	increasing $V_P$	–	–	2.5	V
		decreasing $V_P$	4.2	5.0	5.8	V
	end of reset	increasing $V_P$	5.2	6.0	6.8	V

5-band stereo equalizer circuit

TEA6360

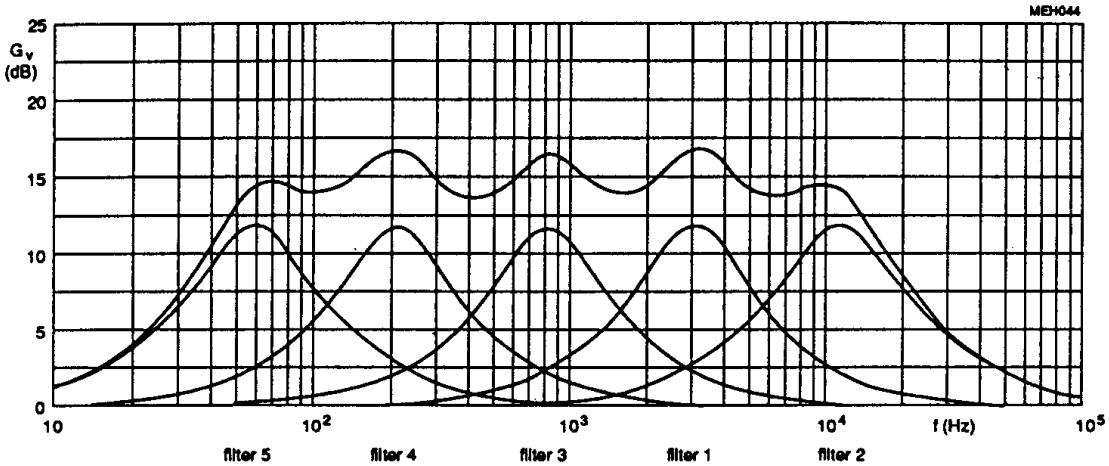


Fig.3 Frequency response for maximum boost of +12 dB according to Fig.1. For maximum cut the curves are symmetrical to negative gain values.

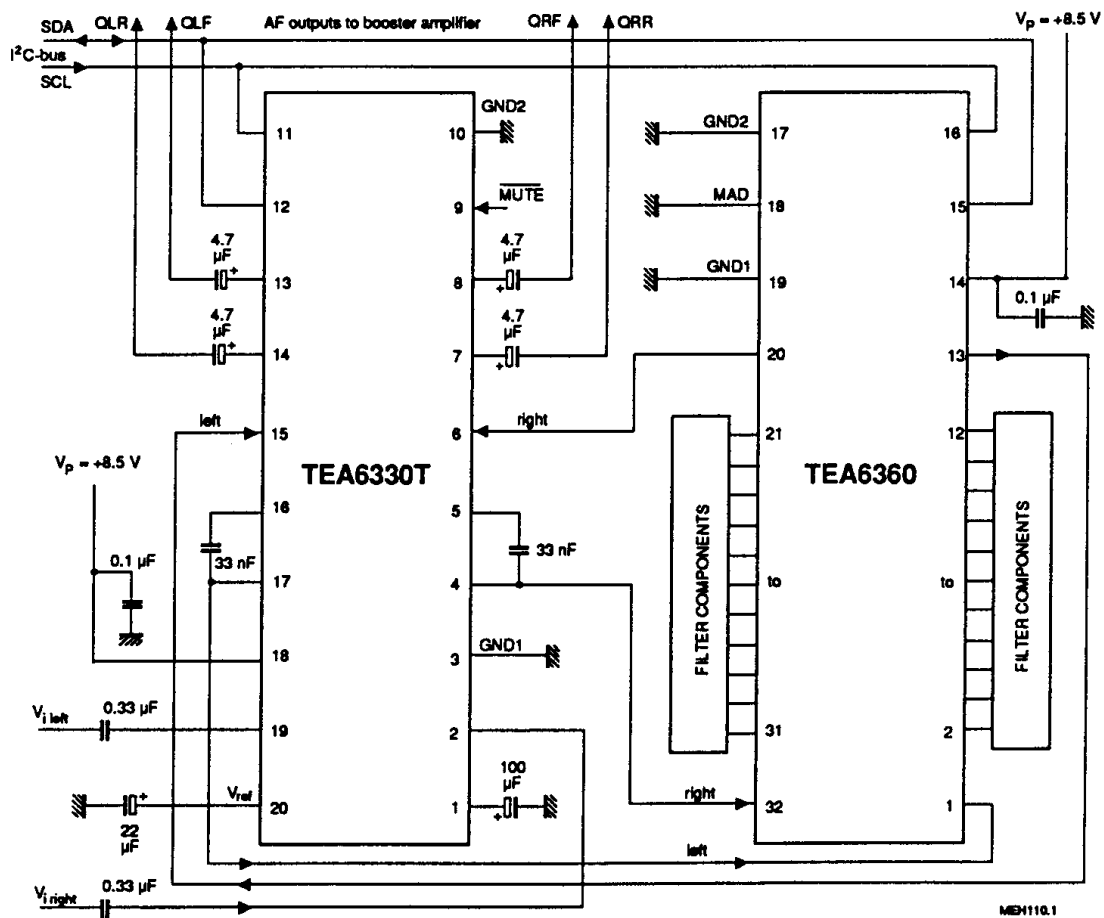


Fig.4 Application for car radio ( $V_p < 8.5$  V).



5-band stereo equalizer circuit

TEA6360

I<sup>2</sup>C-BUS PROTOCOL

I<sup>2</sup>C-bus format

<b>S</b>	<b>SLAVE ADDRESS</b>	<b>A</b>	<b>SUBADDRESS</b>	<b>A</b>	<b>DATA</b>	<b>P</b>
----------	----------------------	----------	-------------------	----------	-------------	----------

- S = start condition
- SLAVE ADDRESS = **1000 0100** when pin 18 is set LOW or **1000 0110** when pin 18 is set HIGH or open-circuit
- A = acknowledge, generated by the slave
- SUBADDRESS = subaddress byte, see Table 1
- DATA = data byte, see Table 1
- P = stop condition

If more than 1 byte DATA are transmitted, then auto-increment of the subaddress is performed.

Byte organisation

Table 1 I<sup>2</sup>C-bus transmission

FUNCTION	SUBADDRESS BYTE	DATA BYTE							
		D7	D6	D5	D4	D3	D2	D1	D0
filter 1/defeat	0 0 0 0 0 0 0 0	DEF	1B2	1B1	1B0	0	1C2	1C1	1C0
filter 2	0 0 0 0 0 0 0 1	0	2B2	2B1	2B0	0	2C2	2C1	2C0
filter 3	0 0 0 0 0 0 1 0	0	3B2	3B1	3B0	0	3C2	3C1	3C0
filter 4	0 0 0 0 0 0 1 1	0	4B2	4B1	4B0	0	4C2	4C1	4C0
filter 5	0 0 0 0 0 1 0 0	0	5B2	5B1	5B0	0	5C2	5C1	5C0

Function of the bits of Table 1:

- 1B0 to 1B2 boost control for filter 1
- 1B0 to 1B2 cut control for filter 1
- 2B0 to 2B2 boost control for filter 2
- 2B0 to 2B2 cut control for filter 2
- 3B0 to 3B2 boost control for filter 3
- 3B0 to 3B2 cut control for filter 3
- 4B0 to 4B2 boost control for filter 4
- 4B0 to 4B2 cut control for filter 4
- 5B0 to 5B2 boost control for filter 5
- 5B0 to 5B2 cut control for filter 5
- DEF DEF = 0 (defeat bit): All filters operating.  
DEF = 1: Linear frequency response, input is directly connected to the output of the output amplifier. The filter settings are stored but the internal amplification is controlled to 0 dB, independent on bits nB2 to nB0.

## 5-band stereo equalizer circuit

TEA6360

**Table 2** Boost control for filter n

DATA				
POSITION		nB2	nB1	nB0
step 0	(no boost)	0	0	0
step 1		0	0	1
step 2		0	1	0
step 3		0	1	1
step 4		1	0	0
step 5	(maximum boost)	1	0	1
step 5	(maximum boost)	1	1	0
step 5	(maximum boost)	1	1	1

**Table 3** Cut control for filter n

DATA				
POSITION		nB2	nB1	nB0
step 0	(no cut)	0	0	0
step 1		0	0	1
step 2		0	1	0
step 3		0	1	1
step 4		1	0	0
step 5	(maximum cut)	1	0	1
step 5	(maximum cut)	1	1	0
step 5	(maximum cut)	1	1	1

**Table 4** Filter control with variable quality factor

POSITION		D7	D6	D5	D4	D3	D2	D1	D0	COMMENT
		X	nB2	nB1	nB0	X	nC2	nC1	nC0	
+5	(maximum boost)	0	1	0	1	0	0	0	0	(+5) + (-0) = +5
+4		0	1	0	0	0	0	0	0	(+4) + (-0) = +4
+3		0	0	1	1	0	0	0	0	(+3) + (-0) = +3
+2		0	0	1	0	0	0	0	0	(+2) + (-0) = +2
+1		0	0	0	1	0	0	0	0	(+1) + (-0) = +1
0	(linear)	0	0	0	0	0	0	0	0	(+0) + (-0) = 0
-1		0	0	0	0	0	0	0	1	(+0) + (-1) = -1
-2		0	0	0	0	0	0	1	0	(+0) + (-2) = -2
-3		0	0	0	0	0	0	1	1	(+0) + (-3) = -3
-4		0	0	0	0	0	1	0	0	(+0) + (-4) = -4
-5	(maximum cut)	0	0	0	0	0	1	0	1	(+0) + (-5) = -5

## 5-band stereo equalizer circuit

## TEA6360

**Table 5** Filter control with constant quality factor

POSITION		D7	D6	D5	D4	D3	D2	D1	D0	COMMENT
		X	nB2	nB1	nB0	X	nC2	nC1	nC0	
+5	(maximum boost)	0	1	0	1	0	0	0	0	(+5) + (-0) = +5
+4		0	1	0	1	0	0	0	1	(+5) + (-1) = +4
+3		0	1	0	1	0	0	1	0	(+5) + (-2) = +3
+2		0	1	0	1	0	0	1	1	(+5) + (-3) = +2
+1		0	1	0	1	0	1	0	0	(+5) + (-4) = +1
0	(linear)	0	0	0	0	0	0	0	0	(+0) + (-0) = 0
-1		0	1	0	0	0	1	0	1	(+4) + (-5) = -1
-2		0	0	1	1	0	1	0	1	(+3) + (-5) = -2
-3		0	0	1	0	0	1	0	1	(+2) + (-5) = -3
-4		0	0	0	1	0	1	0	1	(+1) + (-5) = -4
-5	(maximum cut)	0	0	0	0	0	1	0	1	(+0) + (-5) = -5

**Table 6** Filter control with quasi-constant quality factor

POSITION		D7	D6	D5	D4	D3	D2	D1	D0	COMMENT
		X	nB2	nB1	nB0	X	nC2	nC1	nC0	
+5	(maximum boost)	0	1	0	1	0	0	0	0	(+5) + (-0) = +5
+4		0	1	0	1	0	0	0	1	(+5) + (-1) = +4
+3		0	1	0	1	0	0	1	0	(+5) + (-2) = +3
+2		0	1	0	0	0	0	1	0	(+4) + (-2) = +2
+1		0	0	1	1	0	0	1	0	(+3) + (-2) = +1
0	(linear)	0	0	0	0	0	0	0	0	(+0) + (-0) = 0
-1		0	0	1	0	0	0	1	1	(+2) + (-3) = -1
-2		0	0	1	0	0	1	0	0	(+2) + (-4) = -2
-3		0	0	1	0	0	1	0	1	(+2) + (-5) = -3
-4		0	0	0	1	0	1	0	1	(+1) + (-5) = -4
-5	(maximum cut)	0	0	0	0	0	1	0	1	(+0) + (-5) = -5

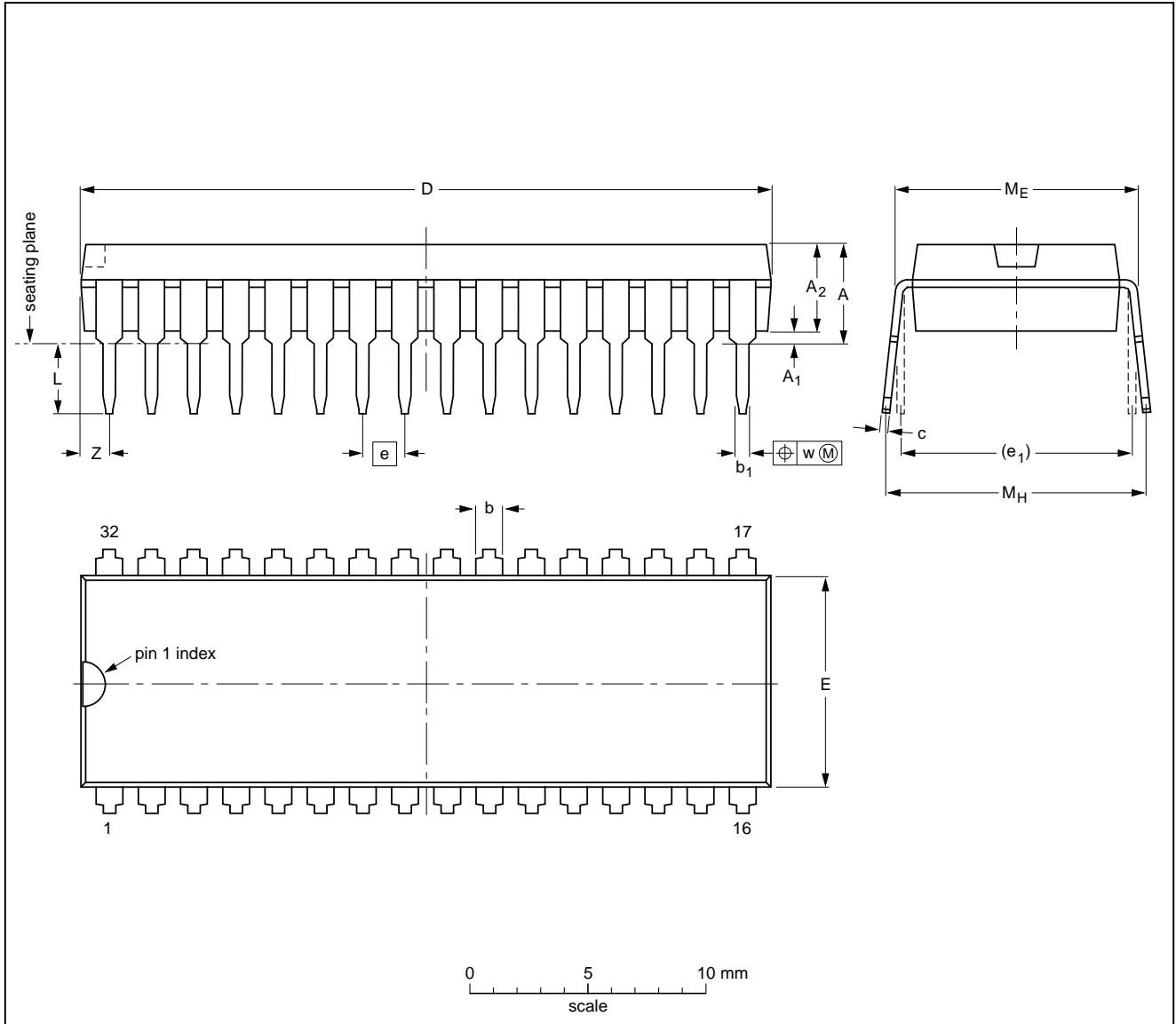
5-band stereo equalizer circuit

TEA6360

PACKAGE OUTLINES

SDIP32: plastic shrink dual in-line package; 32 leads (400 mil)

SOT232-1



DIMENSIONS (mm are the original dimensions)

UNIT	A max.	A <sub>1</sub> min.	A <sub>2</sub> max.	b	b <sub>1</sub>	c	D <sup>(1)</sup>	E <sup>(1)</sup>	e	e <sub>1</sub>	L	M <sub>E</sub>	M <sub>H</sub>	w	z <sup>(1)</sup> max.
mm	4.7	0.51	3.8	1.3 0.8	0.53 0.40	0.32 0.23	29.4 28.5	9.1 8.7	1.778	10.16	3.2 2.8	10.7 10.2	12.2 10.5	0.18	1.6

Note

1. Plastic or metal protrusions of 0.25 mm maximum per side are not included.

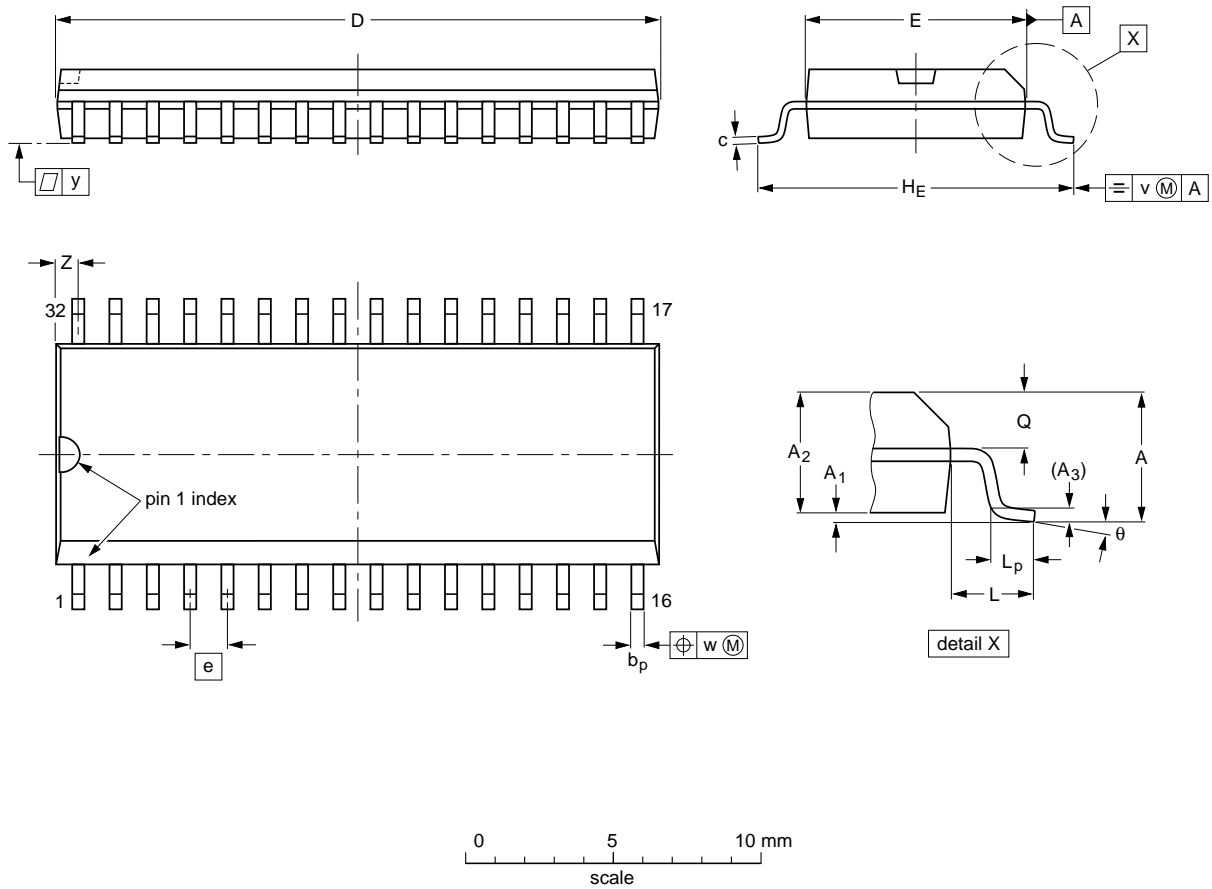
OUTLINE VERSION	REFERENCES				EUROPEAN PROJECTION	ISSUE DATE
	IEC	JEDEC	EIAJ			
SOT232-1						92-11-17 95-02-04

5-band stereo equalizer circuit

TEA6360

SO32: plastic small outline package; 32 leads; body width 7.5 mm

SOT287-1



**DIMENSIONS (inch dimensions are derived from the original mm dimensions)**

UNIT	A max.	A <sub>1</sub>	A <sub>2</sub>	A <sub>3</sub>	b <sub>p</sub>	c	D <sup>(1)</sup>	E <sup>(1)</sup>	e	H <sub>E</sub>	L	L <sub>p</sub>	Q	v	w	y	Z <sup>(1)</sup>	θ
mm	2.65	0.3 0.1	2.45 2.25	0.25	0.49 0.36	0.27 0.18	20.7 20.3	7.6 7.4	1.27	10.65 10.00	1.4	1.1 0.4	1.2 1.0	0.25	0.25	0.1	0.95 0.55	8° 0°
inches	0.10	0.012 0.004	0.096 0.086	0.01	0.02 0.01	0.011 0.007	0.81 0.80	0.30 0.29	0.050	0.42 0.39	0.055	0.043 0.016	0.047 0.039	0.01	0.01	0.004	0.037 0.022	

**Note**

1. Plastic or metal protrusions of 0.15 mm maximum per side are not included.

OUTLINE VERSION	REFERENCES				EUROPEAN PROJECTION	ISSUE DATE
	IEC	JEDEC	EIAJ			
SOT287-1						92-11-17 95-01-25

## 5-band stereo equalizer circuit

TEA6360

### SOLDERING

#### Introduction

There is no soldering method that is ideal for all IC packages. Wave soldering is often preferred when through-hole and surface mounted components are mixed on one printed-circuit board. However, wave soldering is not always suitable for surface mounted ICs, or for printed-circuits with high population densities. In these situations reflow soldering is often used.

This text gives a very brief insight to a complex technology. A more in-depth account of soldering ICs can be found in our *"IC Package Databook"* (order code 9398 652 90011).

#### SDIP

##### SOLDERING BY DIPPING OR BY WAVE

The maximum permissible temperature of the solder is 260 °C; solder at this temperature must not be in contact with the joint for more than 5 seconds. The total contact time of successive solder waves must not exceed 5 seconds.

The device may be mounted up to the seating plane, but the temperature of the plastic body must not exceed the specified maximum storage temperature ( $T_{stg\ max}$ ). If the printed-circuit board has been pre-heated, forced cooling may be necessary immediately after soldering to keep the temperature within the permissible limit.

##### REPAIRING SOLDERED JOINTS

Apply a low voltage soldering iron (less than 24 V) to the lead(s) of the package, below the seating plane or not more than 2 mm above it. If the temperature of the soldering iron bit is less than 300 °C it may remain in contact for up to 10 seconds. If the bit temperature is between 300 and 400 °C, contact may be up to 5 seconds.

#### SO

##### REFLOW SOLDERING

Reflow soldering techniques are suitable for all SO packages.

Reflow soldering requires solder paste (a suspension of fine solder particles, flux and binding agent) to be applied to the printed-circuit board by screen printing, stencilling or pressure-syringe dispensing before package placement.

Several techniques exist for reflowing; for example, thermal conduction by heated belt. Dwell times vary between 50 and 300 seconds depending on heating

method. Typical reflow temperatures range from 215 to 250 °C.

Preheating is necessary to dry the paste and evaporate the binding agent. Preheating duration: 45 minutes at 45 °C.

##### WAVE SOLDERING

Wave soldering techniques can be used for all SO packages if the following conditions are observed:

- A double-wave (a turbulent wave with high upward pressure followed by a smooth laminar wave) soldering technique should be used.
- The longitudinal axis of the package footprint must be parallel to the solder flow.
- The package footprint must incorporate solder thieves at the downstream end.

During placement and before soldering, the package must be fixed with a droplet of adhesive. The adhesive can be applied by screen printing, pin transfer or syringe dispensing. The package can be soldered after the adhesive is cured.

Maximum permissible solder temperature is 260 °C, and maximum duration of package immersion in solder is 10 seconds, if cooled to less than 150 °C within 6 seconds. Typical dwell time is 4 seconds at 250 °C.

A mildly-activated flux will eliminate the need for removal of corrosive residues in most applications.

##### REPAIRING SOLDERED JOINTS

Fix the component by first soldering two diagonally-opposite end leads. Use only a low voltage soldering iron (less than 24 V) applied to the flat part of the lead. Contact time must be limited to 10 seconds at up to 300 °C. When using a dedicated tool, all other leads can be soldered in one operation within 2 to 5 seconds between 270 and 320 °C.

## 5-band stereo equalizer circuit

TEA6360

**DEFINITIONS**

<b>Data sheet status</b>	
Objective specification	This data sheet contains target or goal specifications for product development.
Preliminary specification	This data sheet contains preliminary data; supplementary data may be published later.
Product specification	This data sheet contains final product specifications.
<b>Limiting values</b>	
Limiting values given are in accordance with the Absolute Maximum Rating System (IEC 134). Stress above one or more of the limiting values may cause permanent damage to the device. These are stress ratings only and operation of the device at these or at any other conditions above those given in the Characteristics sections of the specification is not implied. Exposure to limiting values for extended periods may affect device reliability.	
<b>Application information</b>	
Where application information is given, it is advisory and does not form part of the specification.	

**LIFE SUPPORT APPLICATIONS**

These products are not designed for use in life support appliances, devices, or systems where malfunction of these products can reasonably be expected to result in personal injury. Philips customers using or selling these products for use in such applications do so at their own risk and agree to fully indemnify Philips for any damages resulting from such improper use or sale.

**PURCHASE OF PHILIPS I<sup>2</sup>C COMPONENTS**

Purchase of Philips I<sup>2</sup>C components conveys a license under the Philips' I<sup>2</sup>C patent to use the components in the I<sup>2</sup>C system provided the system conforms to the I<sup>2</sup>C specification defined by Philips. This specification can be ordered using the code 9398 393 40011.