



Enhanced Digital Echo IC

PT2395

DESCRIPTION

PT2395 is a silicon gate CMOS-processed digital echo IC functionally compatible with M50195P. Input signal to PT2395 is converted to digital signal with A-D conversion then stored in the memory (DRAM) chip. After a certain delay time, digital signal is read out from the memory chip and then converted back into analog signal using the D-A conversion. A low cost echo system may thus be achieved with PT2395's A-D converter, D-A converter, incorporating ADM algorithm, while maintaining lower noise, lower distortion, higher S/N ratio as compared to the conventional BBD (Bucket Brigade Device). PT2395 further features enhanced functions such as continuous delay time with external VR (Variable Resistor), 256 K DRAM support for longer delay time (Extended Delay Mode, up to 800 ms at 4 MHz Clock) as compared to M50195P. Moreover, the distortion and the S/N Ratio are further improved.

FEATURES

- CMOS Technology
- Available in 40-pin PDIP Package (600 mil)
- Low Noise, Low Distortion Echo System
- 3-Level Delay Time Selectable, with Indicator Output
- On-chip RC Oscillator for Continuous Delay Time
- 64K/256K DRAM chip support
- Extended Delay Mode up to 800 ms Delay Time (without VR)
- Create fascinating echo effect with time delay

APPLICATIONS

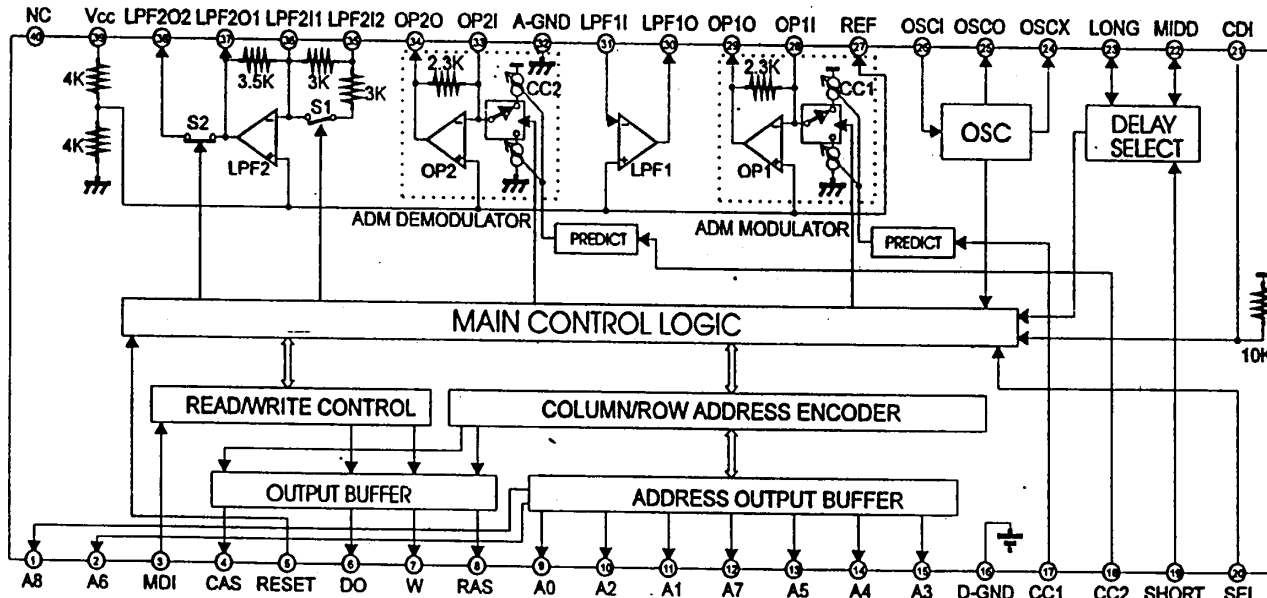
- KARAOKE
- Radio Set
- Video Disc Player
- Electronic Musical Instrument



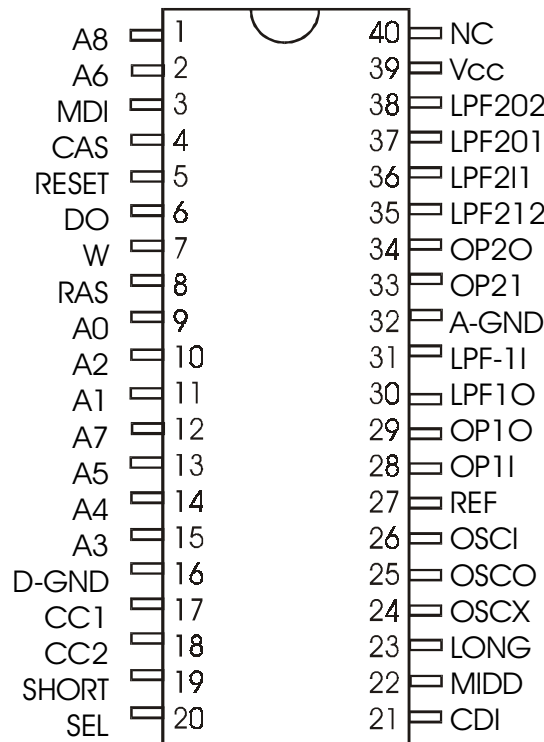
Enhanced Digital Echo IC

PT2395

BLOCK DIAGRAM



PIN CONFIGURATION



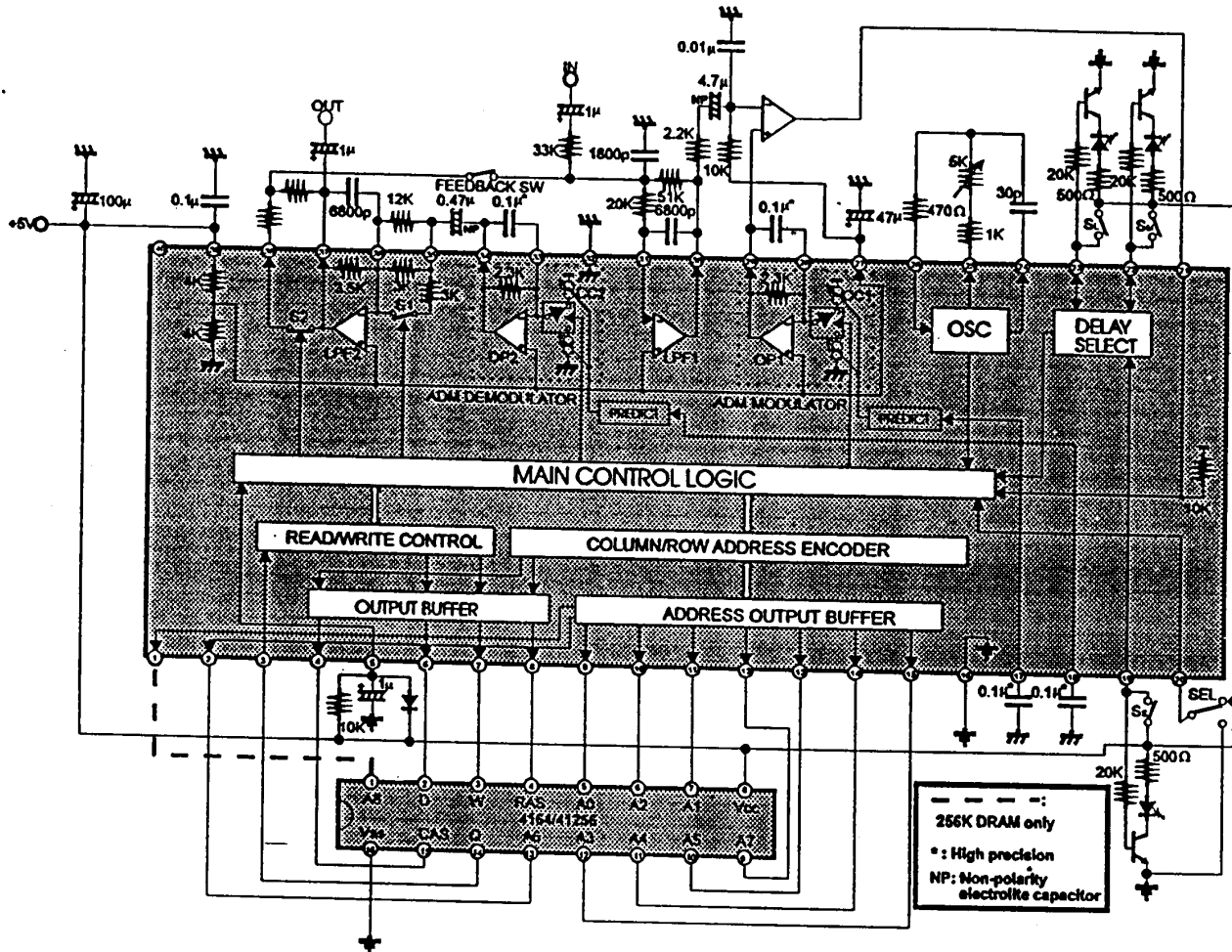
PT2395



Enhanced Digital Echo IC

PT2395

APPLICATION CIRCUIT





Enhanced Digital Echo IC

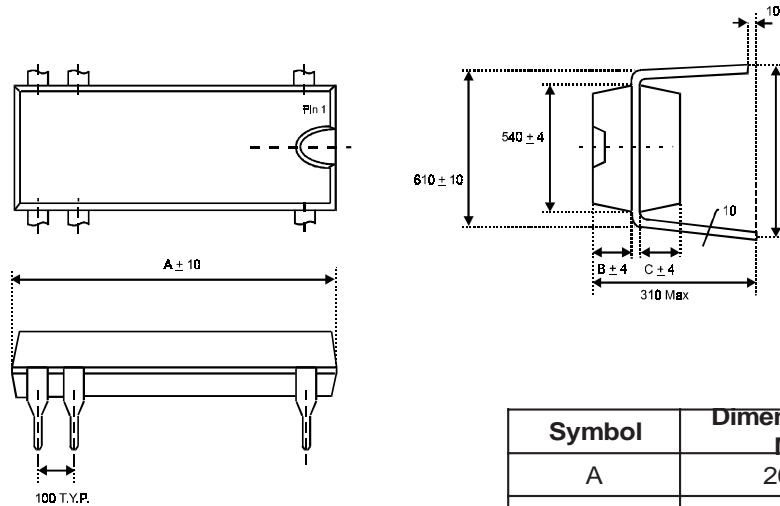
PT2395

ORDER INFORMATION

Valid Part Number	Package Type
PT2395	40 PDIP (600 mil)

PACKAGE INFORMATION

40-Pin, DIP Package (600 mil)



Symbol	Dimension in Mil
A	2050
B	70
C	70