



8th-Order, Lowpass, Elliptic, Switched-Capacitor Filters

MAX7400/MAX7403/MAX7404/MAX7407

General Description

The MAX7400/MAX7403/MAX7404/MAX7407 8th-order, lowpass, elliptic, switched-capacitor filters (SCFs) operate from a single +5V (MAX7400/MAX7403) or +3V (MAX7404/MAX7407) supply. These devices draw 2mA of supply current and allow corner frequencies from 1Hz to 10kHz, making them ideal for low-power anti-aliasing and post-DAC filtering applications. They feature a shutdown mode that reduces the supply current to 0.2µA.

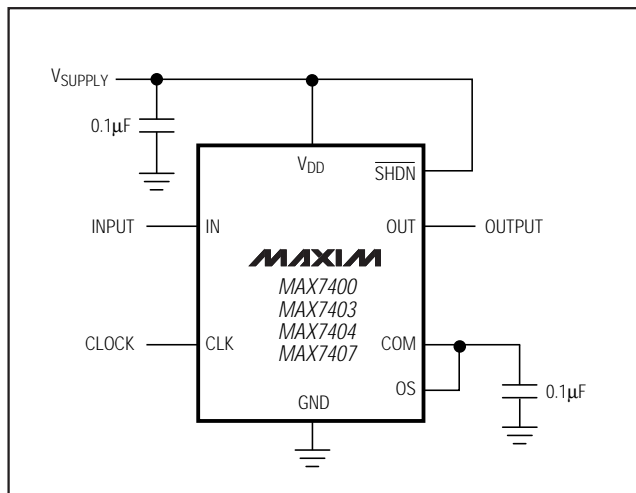
Two clocking options are available: self-clocking (through the use of an external capacitor) or external clocking for tighter cutoff-frequency control. In addition, an offset adjustment pin (OS) allows for the adjustment of the DC output level.

The MAX7400/MAX7404 provide 82dB of stopband rejection and a sharp rolloff with a transition ratio of 1.5. The MAX7403/MAX7407 provide a sharper rolloff with a transition ratio of 1.2, while still delivering 60dB of stopband rejection. The fixed response of these devices simplifies the design task to corner-frequency selection by setting a clock frequency. The MAX7400/MAX7403/MAX7404/MAX7407 are available in 8-pin SO and DIP packages.

Applications

- ADC Anti-Aliasing
- Speech Processing
- Post-DAC Filtering
- Air-Bag Electronics
- CT2 Base Stations

Typical Operating Circuit



Features

- ◆ 8th-Order Lowpass Elliptic Filter
- ◆ Low Noise and Distortion
-82dB THD + Noise (MAX7400)
- ◆ Clock-Tunable Corner Frequency (1Hz to 10kHz)
- ◆ 100:1 Clock-to-Corner Ratio
- ◆ Single-Supply Operation
+5V (MAX7400/MAX7403)
+3V (MAX7404/MAX7407)
- ◆ Low Power
2mA (Operating Mode)
0.2µA (Shutdown Mode)
- ◆ Available in 8-Pin SO and DIP Packages
- ◆ Low Output Offset: ±5mV

Ordering Information

| PART | TEMP. RANGE | PIN-PACKAGE |
|------------|----------------|---------------|
| MAX7400CSA | 0°C to +70°C | 8 SO |
| MAX7400CPA | 0°C to +70°C | 8 Plastic DIP |
| MAX7400ESA | -40°C to +85°C | 8 SO |
| MAX7400EPA | -40°C to +85°C | 8 Plastic DIP |

Ordering Information continued at end of data sheet.

Selector Guide

| PART | FILTER RESPONSE | OPERATING VOLTAGE (V) |
|---------|--------------------|-----------------------|
| MAX7400 | Elliptic (r = 1.5) | +5 |
| MAX7403 | Elliptic (r = 1.2) | +5 |
| MAX7404 | Elliptic (r = 1.5) | +3 |
| MAX7407 | Elliptic (r = 1.2) | +3 |

Pin Configuration



Maxim Integrated Products 1

For free samples & the latest literature: <http://www.maxim-ic.com>, or phone 1-800-998-8800.
For small orders, phone 1-800-835-8769.

8th-Order, Lowpass, Elliptic, Switched-Capacitor Filters

ABSOLUTE MAXIMUM RATINGS

| | | | |
|----------------------------|-----------------------------------|--|---|
| V _{DD} to GND | | | Continuous Power Dissipation (T _A = +70°C) |
| MAX7400/MAX7403 | -0.3V to +6V | | SO (derate 5.88mW/°C above +70°C).....471mW |
| MAX7404/MAX7407 | -0.3V to +4V | | DIP (derate 9.1mW/°C above +70°C).....727mW |
| IN, OUT, COM, OS, CLK | -0.3V to (V _{DD} + 0.3V) | | Operating Temperature Ranges |
| SHDN | -0.3V to +6V | | MAX740_C_A0°C to +70°C |
| OUT Short-Circuit Duration | 1sec | | MAX740_E_A-40°C to +85°C |
| | | | Storage Temperature Range-65°C to +150°C |
| | | | Lead Temperature (soldering, 10sec)+300°C |

Stresses beyond those listed under "Absolute Maximum Ratings" may cause permanent damage to the device. These are stress ratings only, and functional operation of the device at these or any other conditions beyond those indicated in the operational sections of the specifications is not implied. Exposure to absolute maximum rating conditions for extended periods may affect device reliability.

ELECTRICAL CHARACTERISTICS—MAX7400/MAX7403

(V_{DD} = +5V, filter output measured at OUT, 10k Ω || 50pF load to GND at OUT, $\overline{\text{SHDN}}$ = V_{DD}, OS = COM, 0.1 μ F from COM to GND, f_{CLK} = 100kHz, T_A = T_{MIN} to T_{MAX}, unless otherwise noted. Typical values are at +25°C.)

| PARAMETER | SYMBOL | CONDITIONS | MIN | TYP | MAX | UNITS |
|--|----------------------------------|---|---------------------------|------------------------|---------------------------|------------|
| FILTER CHARACTERISTICS | | | | | | |
| Corner Frequency | f _C | (Note 1) | | 0.001 to 10 | | kHz |
| Clock-to-Corner Ratio | f _{CLK} /f _C | | | 100:1 | | |
| Clock-to-Corner Tempco | | | | 10 | | ppm/°C |
| Output Voltage Range | | | 0.25 | V _{DD} - 0.25 | | V |
| Output Offset Voltage | V _{OFFSET} | V _{IN} = V _{COM} = V _{DD} / 2 | | ±5 | ±25 | mV |
| DC Insertion Gain with Output Offset Removed | | V _{COM} = V _{DD} / 2 (Note 2) | -0.1 | 0.15 | 0.3 | dB |
| Total Harmonic Distortion plus Noise | THD+N | f _{IN} = 200Hz, V _{IN} = 4Vp-p, measurement bandwidth = 22kHz | | | | dB |
| | | | | | | |
| | | | | | | |
| OS Voltage Gain to OUT | A _{OS} | | | 1 | | V/V |
| Input Voltage Range at OS | V _{OS} | | | V _{COM} ±0.1 | | V |
| COM Voltage Range | V _{COM} | Input, COM externally driven | V _{DD} / 2 - 0.5 | V _{DD} / 2 | V _{DD} / 2 + 0.5 | V |
| | | Output, COM internally biased | V _{DD} / 2 - 0.2 | V _{DD} / 2 | V _{DD} / 2 + 0.2 | |
| Input Resistance at COM | R _{COM} | | 75 | 125 | | k Ω |
| Clock Feedthrough | | | | 10 | | mVp-p |
| Resistive Output Load Drive | R _L | | 10 | 1 | | k Ω |
| Maximum Capacitive Load at OUT | C _L | | 50 | 500 | | pF |
| Input Leakage Current at COM | | $\overline{\text{SHDN}}$ = GND, V _{COM} = 0 to V _{DD} | | ±0.1 | ±10 | μ A |
| Input Leakage Current at OS | | V _{OS} = 0 to (V _{DD} - 1V) (Note 3) | | ±0.1 | ±10 | μ A |
| CLOCK | | | | | | |
| Internal Oscillator Frequency | f _{OSC} | C _{OSC} = 1000pF (Note 4) | 29 | 38 | 48 | kHz |
| Clock Input Current | I _{CLK} | V _{CLK} = 0 or 5V | | ±15 | ±30 | μ A |
| Clock Input High | V _{IH} | | V _{DD} - 0.5 | | | V |
| Clock Input Low | V _{IL} | | | | 0.5 | V |

8th-Order, Lowpass, Elliptic, Switched-Capacitor Filters

MAX7400/MAX7403/MAX7404/MAX7407

ELECTRICAL CHARACTERISTICS—MAX7400/MAX7403 (continued)

($V_{DD} = +5V$, filter output measured at OUT, $10k\Omega \parallel 50pF$ load to GND at OUT, $\overline{SHDN} = V_{DD}$, OS = COM, $0.1\mu F$ from COM to GND, $f_{CLK} = 100kHz$, $T_A = T_{MIN}$ to T_{MAX} , unless otherwise noted. Typical values are at $T_A = +25^\circ C$.)

| PARAMETER | SYMBOL | CONDITIONS | MIN | TYP | MAX | UNITS |
|---|-----------------------|---|----------------|-----------|----------|---------|
| POWER REQUIREMENTS | | | | | | |
| Supply Voltage | V_{DD} | | 4.5 | | 5.5 | V |
| Supply Current | I_{DD} | Operating mode, no load, IN = OS = COM | | 2 | 3.5 | mA |
| Shutdown Current | $I_{\overline{SHDN}}$ | $\overline{SHDN} = GND$, CLK driven from 0 to V_{DD} | | 0.2 | 1 | μA |
| Power-Supply Rejection Ratio | PSRR | Measured at DC | | 60 | | dB |
| SHUTDOWN | | | | | | |
| \overline{SHDN} Input High | V_{SDH} | | $V_{DD} - 0.5$ | | | V |
| \overline{SHDN} Input Low | V_{SDL} | | | | 0.5 | V |
| \overline{SHDN} Input Leakage Current | | $V_{\overline{SHDN}} = 0$ to V_{DD} | | ± 0.1 | ± 10 | μA |

ELECTRICAL CHARACTERISTICS—MAX7404/MAX7407

($V_{DD} = +3V$, filter output measured at OUT, $10k\Omega \parallel 50pF$ load to GND at OUT, $\overline{SHDN} = V_{DD}$, OS = COM, $0.1\mu F$ from COM to GND, $f_{CLK} = 100kHz$, $T_A = T_{MIN}$ to T_{MAX} , unless otherwise noted. Typical values are at $T_A = +25^\circ C$.)

| PARAMETER | SYMBOL | CONDITIONS | MIN | TYP | MAX | UNITS |
|--|---------------|--|--------------------|-------------------|--------------------|-----------------|
| FILTER CHARACTERISTICS | | | | | | |
| Corner Frequency | f_C | (Note 1) | | 0.001 to 10 | | kHz |
| Clock-to-Corner Ratio | f_{CLK}/f_C | | | 100:1 | | |
| Clock-to-Corner Tempco | | | | 10 | | ppm/ $^\circ C$ |
| Output Voltage Range | | | 0.25 | $V_{DD} - 0.25$ | | V |
| Output Offset Voltage | V_{OFFSET} | $V_{IN} = V_{COM} = V_{DD} / 2$ | | ± 5 | ± 25 | mV |
| DC Insertion Gain with Output Offset Removed | | $V_{COM} = V_{DD} / 2$ (Note 2) | -0.1 | 0.1 | 0.3 | dB |
| Total Harmonic Distortion plus Noise | THD+N | $f_{IN} = 200Hz$, $V_{IN} = 2.5V_{p-p}$, measurement bandwidth = 22kHz | | | | dB |
| | | MAX7404 | | -79 | | |
| | | MAX7407 | | -77 | | |
| OS Voltage Gain to OUT | A_{OS} | | | 1 | | V/V |
| Input Voltage Range at OS | V_{OS} | | | $V_{COM} \pm 0.1$ | | V |
| COM Voltage Range | V_{COM} | COM internally biased or externally driven | $V_{DD} / 2 - 0.1$ | $V_{DD} / 2$ | $V_{DD} / 2 + 0.1$ | V |
| Input Resistance at COM | R_{COM} | | 75 | 125 | | $k\Omega$ |
| Clock Feedthrough | | | | 10 | | mVp-p |
| Resistive Output Load Drive | R_L | | 10 | 1 | | $k\Omega$ |
| Maximum Capacitive Load at OUT | C_L | | 50 | 500 | | pF |
| Input Leakage Current at COM | | $\overline{SHDN} = GND$, $V_{COM} = 0$ to V_{DD} | | ± 0.1 | ± 10 | μA |
| Input Leakage Current at OS | | $V_{OS} = 0$ to $(V_{DD} - 1V)$ (Note 3) | | ± 0.1 | ± 10 | μA |

8th-Order, Lowpass, Elliptic, Switched-Capacitor Filters

ELECTRICAL CHARACTERISTICS—MAX7404/MAX7407 (continued)

($V_{DD} = +3V$, filter output measured at OUT, $10k\Omega \parallel 50pF$ load to GND at OUT, $\overline{SHDN} = V_{DD}$, OS = COM, $0.1\mu F$ from COM to GND, $f_{CLK} = 100kHz$, $T_A = T_{MIN}$ to T_{MAX} , unless otherwise noted. Typical values are at $T_A = +25^\circ C$.)

| PARAMETER | SYMBOL | CONDITIONS | MIN | TYP | MAX | UNITS |
|---|-----------------------|---|----------------|-----------|----------|---------|
| CLOCK | | | | | | |
| Internal Oscillator Frequency | f_{OSC} | $C_{OSC} = 1000pF$ (Note 4) | 26 | 34 | 43 | kHz |
| Clock Input Current | I_{CLK} | $V_{CLK} = 0$ or $3V$ | | ± 15 | ± 30 | μA |
| Clock Input High | V_{IH} | | $V_{DD} - 0.5$ | | | V |
| Clock Input Low | V_{IL} | | | | 0.5 | V |
| POWER REQUIREMENTS | | | | | | |
| Supply Voltage | V_{DD} | | 2.7 | | 3.6 | V |
| Supply Current | I_{DD} | Operating mode, no load, IN = OS = COM | | 2 | 3.5 | mA |
| Shutdown Current | $I_{\overline{SHDN}}$ | $\overline{SHDN} = GND$, CLK driven from 0 to V_{DD} | | 0.2 | 1 | μA |
| Power-Supply Rejection Ratio | PSRR | Measured at DC | | 60 | | dB |
| SHUTDOWN | | | | | | |
| \overline{SHDN} Input High | V_{SDH} | | $V_{DD} - 0.5$ | | | V |
| \overline{SHDN} Input Low | V_{SDL} | | | | 0.5 | V |
| \overline{SHDN} Input Leakage Current | | $V_{\overline{SHDN}} = 0$ to V_{DD} | | ± 0.1 | ± 10 | μA |

ELLIPTIC ($r = 1.5$) FILTER CHARACTERISTICS—MAX7400/MAX7404

($V_{DD} = +5V$ for MAX7400, $V_{DD} = +3V$ for MAX7404; filter output measured at OUT; $10k\Omega \parallel 50pF$ load to GND at OUT; $\overline{SHDN} = V_{DD}$; $V_{COM} = V_{OS} = V_{DD} / 2$; $f_{CLK} = 100kHz$; $T_A = T_{MIN}$ to T_{MAX} ; unless otherwise noted. Typical values are at $T_A = +25^\circ C$.)

| PARAMETER | CONDITIONS | MIN | TYP | MAX | UNITS |
|--|---------------------|-------|-------|------|-------|
| Insertion Gain Relative to DC Gain (Note 5) | $f_{IN} = 0.371f_C$ | -0.20 | -0.10 | 0.20 | dB |
| | $f_{IN} = 0.587f_C$ | -0.20 | 0.02 | 0.20 | |
| | $f_{IN} = 0.737f_C$ | -0.20 | -0.08 | 0.20 | |
| | $f_{IN} = 0.868f_C$ | -0.20 | 0.06 | 0.20 | |
| | $f_{IN} = 0.940f_C$ | -0.20 | -0.03 | 0.20 | |
| | $f_{IN} = 0.988f_C$ | -0.20 | 0.09 | 0.25 | |
| | $f_{IN} = 1.000f_C$ | -0.20 | 0.02 | 0.25 | |
| | $f_{IN} = 1.500f_C$ | | -82 | -75 | |
| | $f_{IN} = 1.601f_C$ | | -84 | -78 | |
| | $f_{IN} = 2.020f_C$ | | -83 | -78 | |
| | $f_{IN} = 4.020f_C$ | | -85 | -78 | |

8th-Order, Lowpass, Elliptic, Switched-Capacitor Filters

MAX7400/MAX7403/MAX7404/MAX7407

ELLIPTIC ($r = 1.2$) FILTER CHARACTERISTICS—MAX7403/MAX7407

($V_{DD} = +5V$ for MAX7403, $V_{DD} = +3V$ for MAX7407; filter output measured at OUT; $10k\Omega \parallel 50pF$ load to GND at OUT; $\overline{SHDN} = V_{DD}$; $V_{COM} = V_{OS} = V_{DD} / 2$; $f_{CLK} = 100kHz$; $T_A = T_{MIN}$ to T_{MAX} ; unless otherwise noted. Typical values are at $T_A = +25^\circ C$.)

| PARAMETER | CONDITIONS | MIN | TYP | MAX | UNITS |
|--|---------------------|-------|-------|------|-------|
| Insertion Gain Relative to DC Gain (Note 5) | $f_{IN} = 0.408f_C$ | -0.20 | -0.11 | 0.20 | dB |
| | $f_{IN} = 0.640f_C$ | -0.20 | 0.02 | 0.20 | |
| | $f_{IN} = 0.784f_C$ | -0.20 | -0.06 | 0.20 | |
| | $f_{IN} = 0.902f_C$ | -0.20 | 0.10 | 0.20 | |
| | $f_{IN} = 0.956f_C$ | -0.20 | 0.02 | 0.20 | |
| | $f_{IN} = 0.992f_C$ | -0.20 | 0.14 | 0.30 | |
| | $f_{IN} = 1.000f_C$ | -0.20 | 0.09 | 0.30 | |
| | $f_{IN} = 1.200f_C$ | | -58 | -50 | |
| | $f_{IN} = 1.261f_C$ | | -59 | -54 | |
| | $f_{IN} = 1.533f_C$ | | -60 | -54 | |
| | $f_{IN} = 2.875f_C$ | | -60 | -54 | |

Note 1: The maximum f_C is defined as the clock frequency, $f_{CLK} = 100 \cdot f_C$, at which the peak SINAD drops to 68dB with a sinusoidal input at $0.2f_C$.

Note 2: DC insertion gain is defined as $\Delta V_{OUT} / \Delta V_{IN}$.

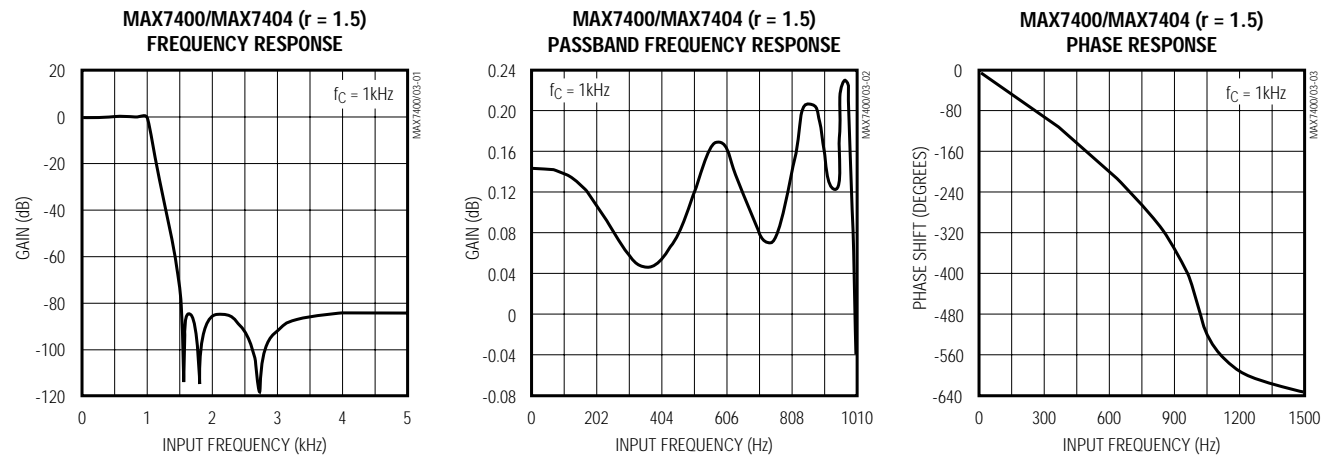
Note 3: OS voltages above $V_{DD} - 1V$ saturate the input and result in a $75\mu A$ typical input leakage current.

Note 4: For MAX7400/MAX7403, $f_{OSC} (kHz) \approx 38 \cdot 10^3 / C_{OSC} (pF)$. For MAX7404/MAX7407, $f_{OSC} (kHz) \approx 34 \cdot 10^3 / C_{OSC} (pF)$.

Note 5: The input frequencies, f_{IN} , are selected at the peaks and troughs of the frequency responses.

Typical Operating Characteristics

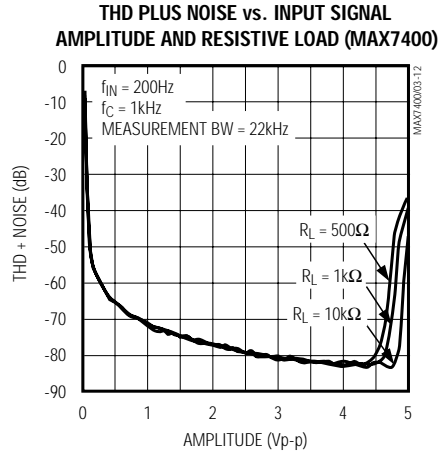
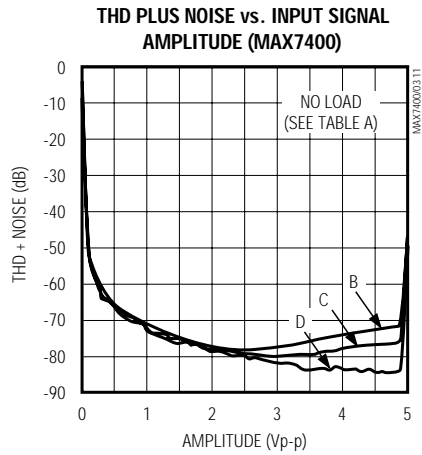
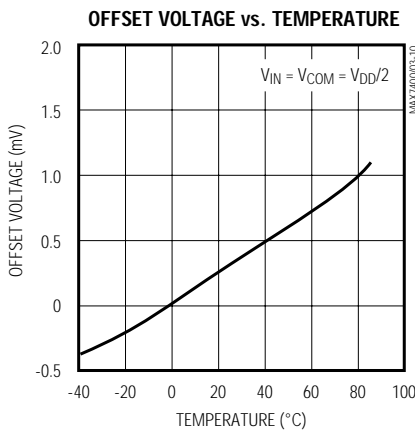
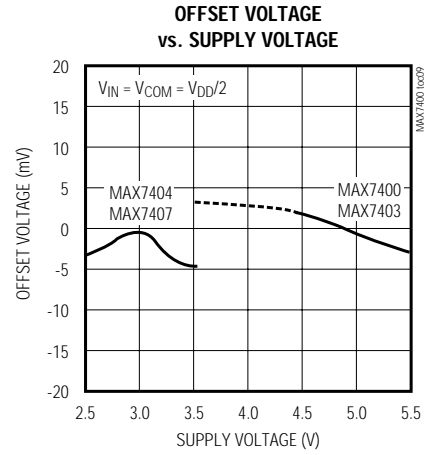
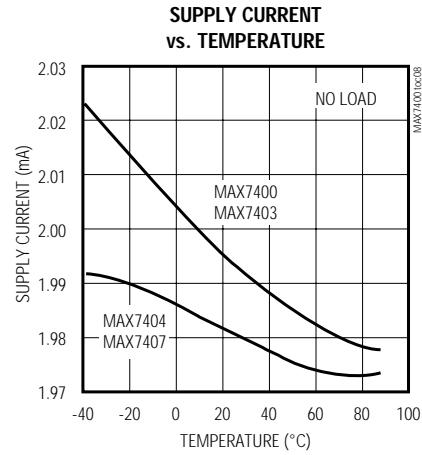
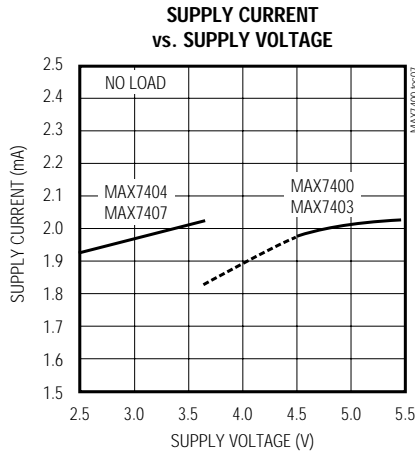
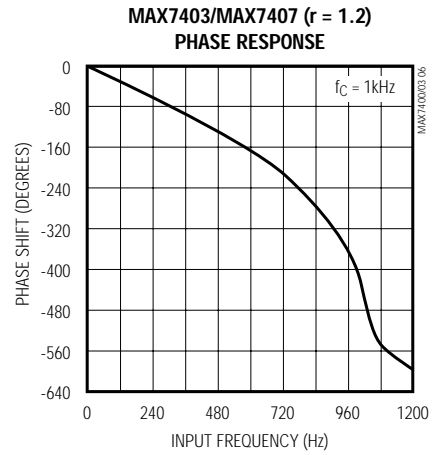
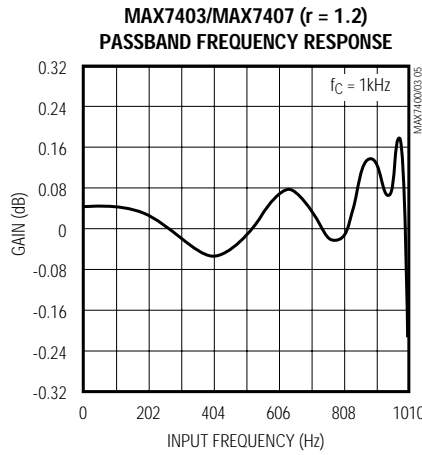
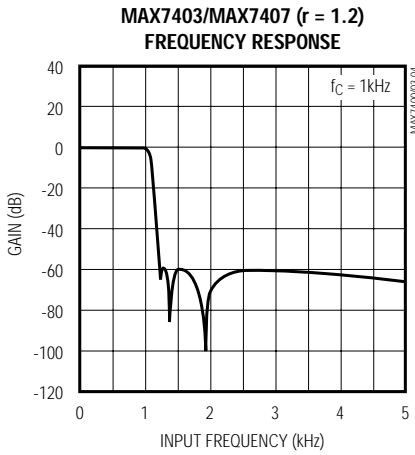
($V_{DD} = +5V$ for MAX7400/MAX7403, $V_{DD} = +3V$ for MAX7404/MAX7407; $V_{COM} = V_{OS} = V_{DD} / 2$; $\overline{SHDN} = V_{DD}$; $f_{CLK} = 100kHz$; $T_A = +25^\circ C$; unless otherwise noted.)



8th-Order, Lowpass, Elliptic, Switched-Capacitor Filters

Typical Operating Characteristics (continued)

($V_{DD} = +5V$ for MAX7400/MAX7403, $V_{DD} = +3V$ for MAX7404/MAX7407; $V_{COM} = V_{OS} = V_{DD} / 2$; $\overline{SHDN} = V_{DD}$; $f_{CLK} = 100kHz$; $T_A = +25^\circ C$; unless otherwise noted.)



8th-Order, Lowpass, Elliptic, Switched-Capacitor Filters

Typical Operating Characteristics (continued)

($V_{DD} = +5V$ for MAX7400/MAX7403, $V_{DD} = +3V$ for MAX7404/MAX7407; $V_{COM} = V_{OS} = V_{DD} / 2$; $\overline{SHDN} = V_{DD}$; $f_{CLK} = 100kHz$; $T_A = +25^\circ C$; unless otherwise noted.)

MAX7400/MAX7403/MAX7404/MAX7407

THD PLUS NOISE vs. INPUT SIGNAL AMPLITUDE (MAX7403)



THD PLUS NOISE vs. INPUT SIGNAL AMPLITUDE AND RESISTIVE LOAD (MAX7403)

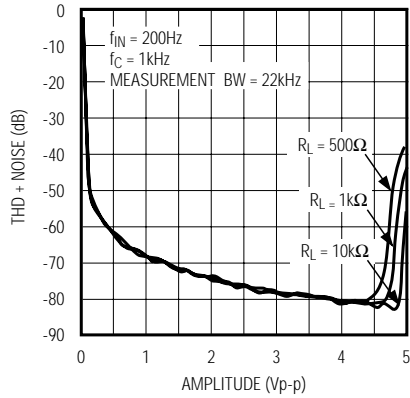
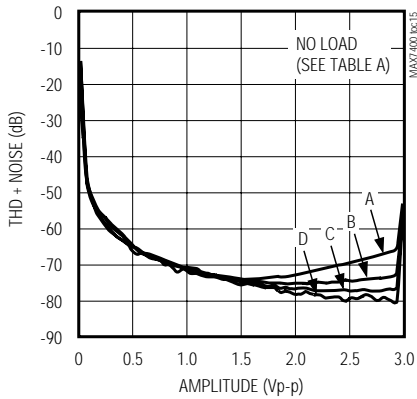


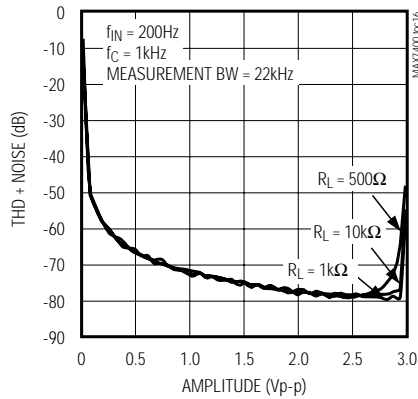
TABLE A. THD PLUS NOISE vs. INPUT SIGNAL AMPLITUDE TEST CONDITIONS

| TRACE | f_{IN} (Hz) | f_C (kHz) | f_{CLK} (kHz) | MEASUREMENT BANDWIDTH (kHz) |
|-------|---------------|-------------|-----------------|-----------------------------|
| A | 2800 | 14 | 1400 | 80 |
| B | 2000 | 10 | 1000 | 80 |
| C | 1000 | 5 | 500 | 80 |
| D | 200 | 1 | 100 | 22 |

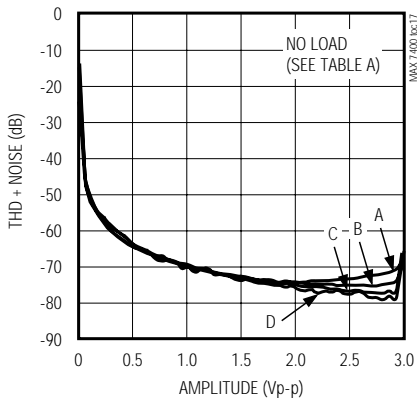
THD PLUS NOISE vs. INPUT SIGNAL AMPLITUDE (MAX7404)



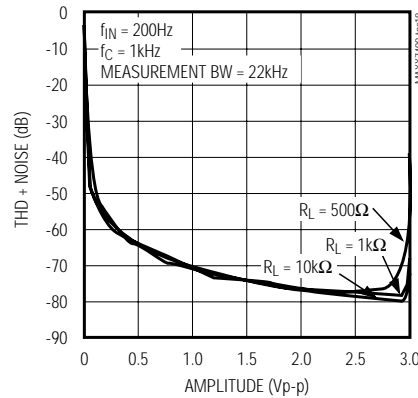
THD PLUS NOISE vs. INPUT SIGNAL AMPLITUDE AND RESISTIVE LOAD (MAX7404)



THD PLUS NOISE vs. INPUT SIGNAL AMPLITUDE (MAX7407)



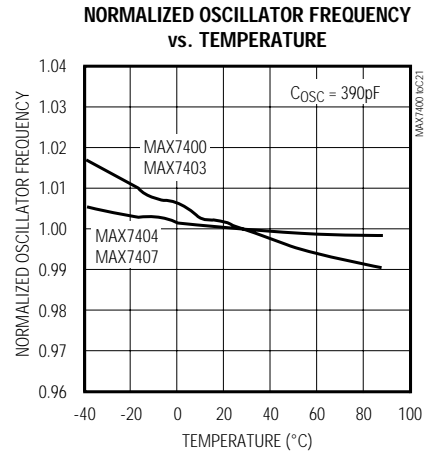
THD PLUS NOISE vs. INPUT SIGNAL AMPLITUDE AND RESISTIVE LOAD (MAX7407)



8th-Order, Lowpass, Elliptic, Switched-Capacitor Filters

Typical Operating Characteristics (continued)

($V_{DD} = +5V$ for MAX7400/MAX7403, $V_{DD} = +3V$ for MAX7404/MAX7407; $V_{COM} = V_{OS} = V_{DD} / 2$; $\overline{SHDN} = V_{DD}$; $f_{CLK} = 100kHz$; $T_A = +25^\circ C$; unless otherwise noted.)



Pin Description

| PIN | NAME | FUNCTION |
|-----|-------------------|--|
| 1 | COM | Common Input. Biased internally at midsupply. Bypass externally to GND with a 0.1 μ F capacitor. To override internal biasing, drive with an external supply. |
| 2 | IN | Filter Input |
| 3 | GND | Ground |
| 4 | V_{DD} | Positive Supply Input: +5V for MAX7400/MAX7403, +3V for MAX7404/MAX7407 |
| 5 | OUT | Filter Output |
| 6 | OS | Offset Adjust Input. To adjust output offset, bias OS externally. Connect OS to COM if no offset adjustment is needed. Refer to <i>Offset and Common-Mode Input Adjustment</i> section. |
| 7 | \overline{SHDN} | Shutdown Input. Drive low to enable shutdown mode; drive high or connect to V_{DD} for normal operation. |
| 8 | CLK | Clock Input. To override the internal oscillator, connect to an external clock; otherwise, connect an external capacitor (C_{OSC}) from CLK to GND to set the internal oscillator frequency. |

8th-Order, Lowpass, Elliptic, Switched-Capacitor Filters

MAX7400/MAX7403/MAX7404/MAX7407

Detailed Description

The MAX7400/MAX7403/MAX7404/MAX7407 family of 8th-order, lowpass filters provides sharp rolloff with good stopband rejection. All parts operate with a 100:1 clock-to-corner frequency ratio and a 10kHz maximum corner frequency. These devices accept a single +5V (MAX7400/MAX7403) or +3V (MAX7404/MAX7407) supply. Figure 1 shows the functional diagram.

Most switched-capacitor filters (SFCs) are designed with biquadratic sections. Each section implements two filtering poles, and the sections can be cascaded to produce higher-order filters. The advantage of this approach is ease of design. However, this type of design is highly sensitive to component variations if any section's Q is high. The MAX7400 family uses an alternative approach, which is to emulate a passive network using switched-capacitor integrators with summing and scaling. The passive network can be synthesized using CAD programs or can be found in many filter books. Figure 2 shows a basic 8th-order ladder elliptic filter structure.

A switched-capacitor filter that emulates a passive ladder filter retains many of the same advantages. The component sensitivity of a passive ladder filter is low when compared to a cascaded biquadratic design, because each component affects the entire filter shape rather than a single pole-zero pair. In other words, a mismatched component in a biquadratic design has a concentrated error on its respective poles, while the same mismatch in a ladder filter design spreads its error over all poles.

Elliptic Characteristics

Lowpass, elliptic filters such as the MAX7400/MAX7403/MAX7404/MAX7407 provide the steepest possible rolloff with frequency of the four most common filter types (Butterworth, Bessel, Chebyshev, and Elliptic). Figure 3 shows the 8th-order elliptic filter response. The high Q value of the poles near the passband edge combined with the stopband zeros allows for the sharp attenuation characteristic of elliptic filters, making these devices ideal for anti-aliasing and post-DAC filtering in single-supply systems (see the *Anti-Aliasing and Post-DAC Filtering* section).

In the frequency domain, the first transmission zero causes the filter's amplitude to drop to a minimum level. Beyond this zero, the response rises as the frequency increases until the next transmission zero. The stopband begins at the stopband frequency, f_s . At frequencies above f_s , the filter's gain does not exceed the gain at f_s .

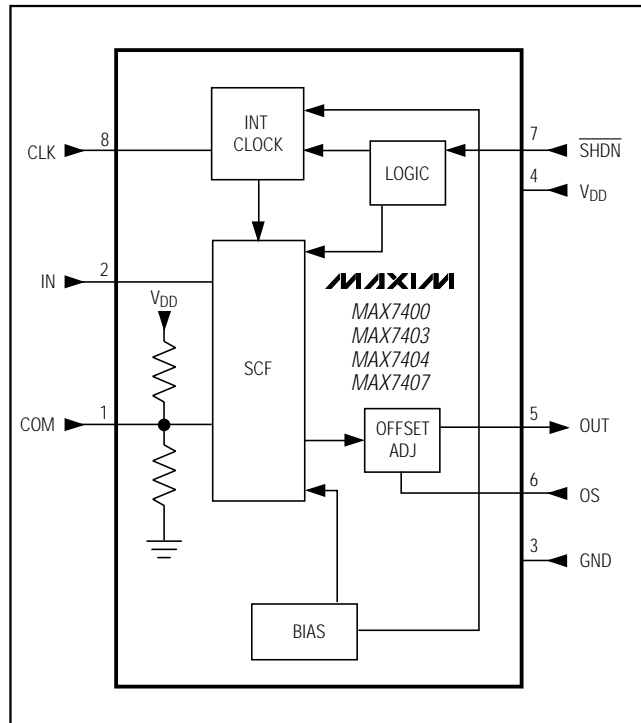


Figure 1. Functional Diagram

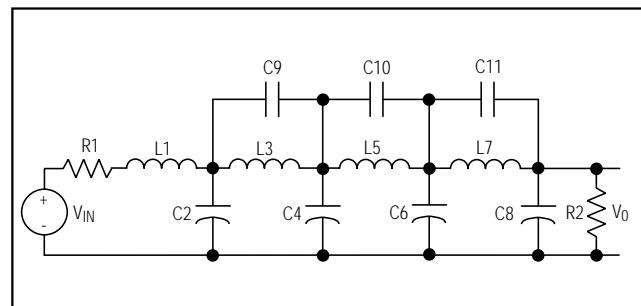


Figure 2. 8th-Order Ladder Filter Network

The corner frequency, f_c , is defined as the point where the filter output attenuation falls just below the passband ripple. The transition ratio is defined as the ratio of the stopband frequency to the corner frequency:

$$r = f_s / f_c$$

The MAX7400/MAX7404 have a transition ratio of 1.5 and a typical stopband rejection of 82dB. The MAX7403/MAX7407 have a transition ratio of 1.2 (providing the steepest rolloff) and a typical stopband rejection of 60dB.

8th-Order, Lowpass, Elliptic, Switched-Capacitor Filters

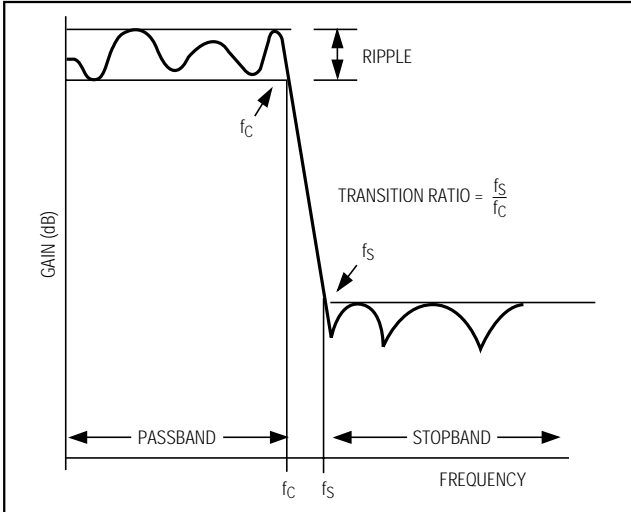


Figure 3. Elliptic Filter Response

Clock Signal External Clock

The MAX7400/MAX7403/MAX7404/MAX7407 SCFs were designed for use with external clocks that have a 40% to 60% duty cycle. When using an external clock, drive CLK with a CMOS gate powered from 0 to VDD. Varying the rate of the external clock adjusts the filter corner frequency:

$$f_c = f_{CLK} / 100$$

Internal Clock

When using the internal oscillator, the capacitance (COSC) on the CLK pin determines the oscillator frequency:

$$f_{osc}(\text{kHz}) = \frac{K \cdot 10^3}{C_{osc}}; \text{COSC in pF}$$

where K = 38 for the MAX7400/MAX7403, and K = 34 for the MAX7404/MAX7407. Since the capacitor value is in picofarads, minimize the stray capacitance at CLK so that it does not affect the internal oscillator frequency. Varying the rate of the internal oscillator adjusts the filter's corner frequency by a 100:1 clock-to-corner frequency ratio. For example, an internal oscillator frequency of 100kHz produces a nominal corner frequency of 1kHz.

Input Impedance vs. Clock Frequencies

The MAX7400/MAX7403/MAX7404/MAX7407's input impedance is effectively that of a switched-capacitor resistor and is inversely proportional to frequency. The

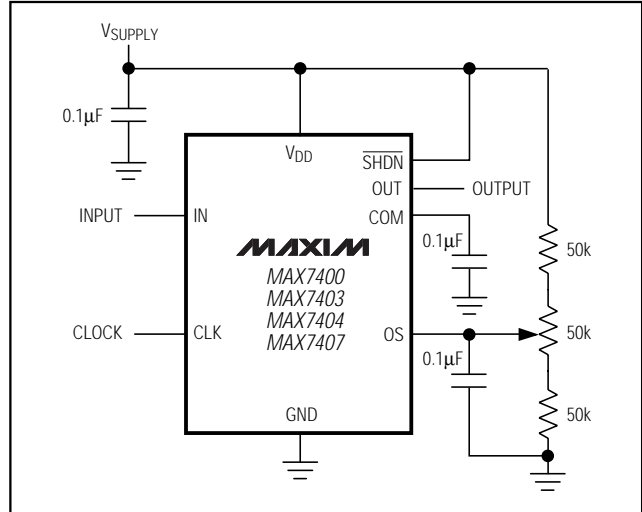


Figure 4. Offset Adjustment Circuit

input impedance determined by the following equation represents the average input impedance, since the input current is not continuous. As a rule, use a driver with an output source impedance less than 10% of the filter's input impedance. Estimate the input impedance of the filter using the following formula:

$$Z_{IN}(\Omega) = \frac{1}{(f_{CLK} \cdot C_{IN})}$$

where fCLK = clock frequency and CIN = 0.85pF.

Low-Power Shutdown Mode

These devices feature a shutdown mode that is activated by driving SHDN low. Placing the filter in shutdown mode reduces the supply current to 0.2µA (typ) and places the output of the filter into a high-impedance state. For normal operation, drive SHDN high or connect to VDD.

Applications Information

Offset and Common-Mode Input Adjustment

The voltage at COM sets the common-mode input voltage and is internally biased at midsupply by a resistor-divider. Bypass COM with a 0.1µF capacitor and connect OS to COM. For applications requiring offset adjustment or DC level shifting, apply an external bias voltage through a resistor-divider network to OS, as shown in Figure 4. (Note: Do not leave OS unconnected.) The output voltage is represented by the following equation:

$$V_{OUT} = (V_{IN} - V_{COM}) + V_{OS}$$

8th-Order, Lowpass, Elliptic, Switched-Capacitor Filters

with $V_{COM} = V_{DD} / 2$ (typical), and where $(V_{IN} - V_{COM})$ is lowpass filtered by the SCF, and V_{OS} is added at the output stage. See the *Electrical Characteristics* for COM and OS input voltage ranges. Changing the voltage on COM or OS significantly from midsupply reduces the filter's dynamic range.

Power Supplies

The MAX7400/MAX7403 operate from a single +5V supply. The MAX7404/MAX7407 operate from a single +3V supply. Bypass V_{DD} to GND with a 0.1 μ F capacitor. If dual supplies are required, connect COM to the system ground and GND to the negative supply. Figure 5 shows an example of dual-supply operation. Single-supply and dual-supply performance are equivalent. For single-supply or dual-supply operation, drive CLK and SHDN from GND (V- in dual-supply operation) to V_{DD} . For a $\pm 2.5V$ supply, use the MAX7400 or MAX7403; for a $\pm 1.5V$ supply, use MAX7404 or MAX7407. For $\pm 5V$ dual-supply applications, use the MAX291–MAX297.

Input Signal Amplitude Range

The ideal input signal range is determined by observing the voltage level at which the total harmonic distortion plus noise (THD+N) is minimized for a given corner frequency. The *Typical Operating Characteristics* show THD+N response as the input signal's peak-to-peak amplitude is varied. These measurements are made with OS and COM biased at midsupply.

Anti-Aliasing and Post-DAC Filtering

When using the MAX7400/MAX7403/MAX7404/MAX7407 for anti-aliasing or post-DAC filtering, synchronize the DAC and the filter clocks. If the clocks are not synchronized, beat frequencies may alias into the passband.

The high clock-to-corner frequency ratio (100:1) also eases the requirements of pre- and post-SCF filtering. At the input, a lowpass filter prevents the aliasing of frequencies around the clock frequency into the passband. At the output, a lowpass filter attenuates the clock feedthrough.

A high clock-to-corner frequency ratio allows a simple RC lowpass filter, with the cutoff frequency set above the SCF corner frequency, to provide input anti-aliasing and reasonable output clock attenuation.

Harmonic Distortion

Harmonic distortion arises from nonlinearities within the filter. Such nonlinearities generate harmonics when a pure sine wave is applied to the filter input. Table 1 lists typical harmonic distortion values with a 10k Ω load and an input signal of 4Vp-p (MAX7400/MAX7403) or 2Vp-p (MAX7404/MAX7407), at $T_A = +25^\circ C$.

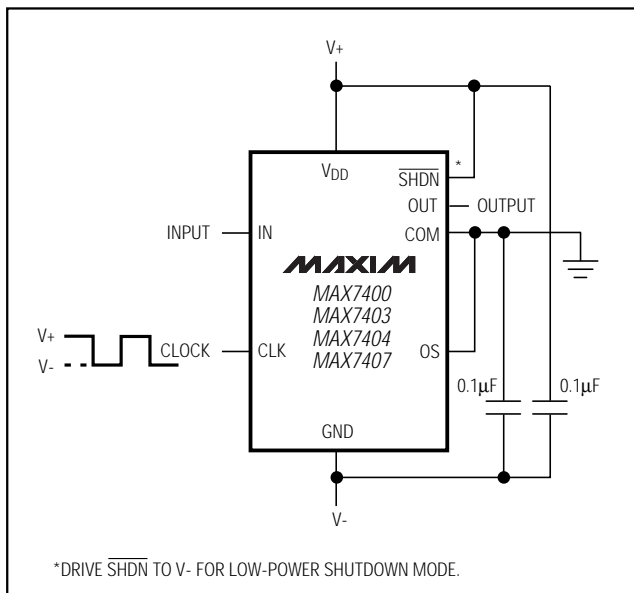


Figure 5. Dual-Supply Operation

Table 1. Typical Harmonic Distortion

| FILTER | fCLK (kHz) | fc (kHz) | fIN (Hz) | VIN (Vp-p) | TYPICAL HARMONIC DISTORTION (dB) | | | |
|---------|------------|----------|----------|------------|----------------------------------|-----|-----|-----|
| | | | | | 2nd | 3rd | 4th | 5th |
| MAX7400 | 100 | 1 | 200 | 4 | -89 | -82 | -89 | -86 |
| | 500 | 5 | 1000 | | -89 | -77 | -93 | -88 |
| MAX7403 | 100 | 1 | 200 | 4 | -88 | -81 | -91 | -87 |
| | 500 | 5 | 1000 | | -84 | -80 | -90 | -91 |
| MAX7404 | 100 | 1 | 200 | 2 | -85 | -82 | -85 | -86 |
| | 500 | 5 | 1000 | | -85 | -81 | -86 | -84 |
| MAX7407 | 100 | 1 | 200 | 2 | -85 | -82 | -85 | -86 |
| | 500 | 5 | 1000 | | -86 | -84 | -85 | -86 |

8th-Order, Lowpass, Elliptic, Switched-Capacitor Filters

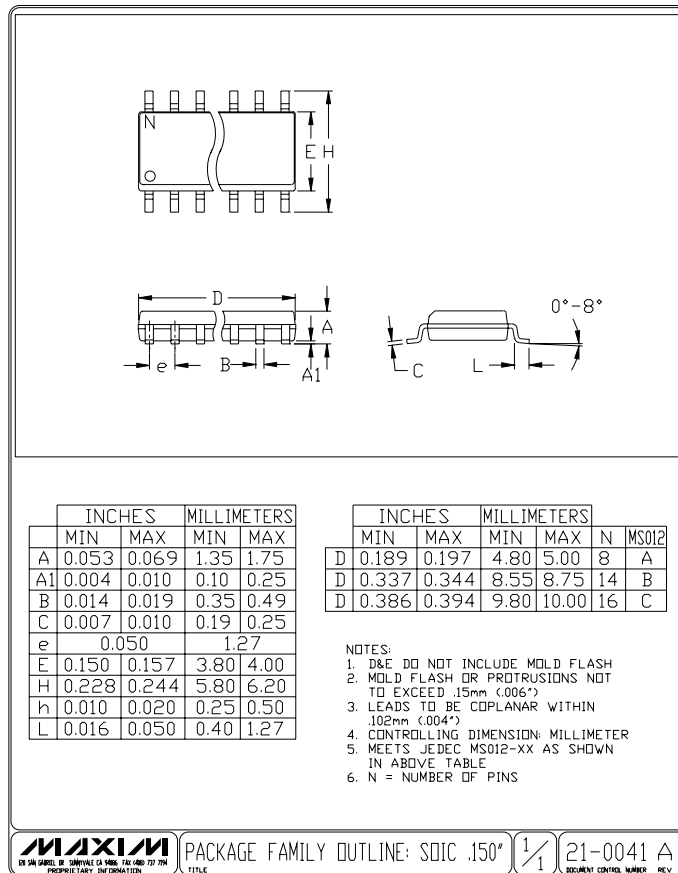
Ordering Information (continued)

| PART | TEMP. RANGE | PIN-PACKAGE |
|--------------------|----------------|---------------|
| MAX7403 CSA | 0°C to +70°C | 8 SO |
| MAX7403CPA | 0°C to +70°C | 8 Plastic DIP |
| MAX7403ESA | -40°C to +85°C | 8 SO |
| MAX7403EPA | -40°C to +85°C | 8 Plastic DIP |
| MAX7404 CSA | 0°C to +70°C | 8 SO |
| MAX7404CPA | 0°C to +70°C | 8 Plastic DIP |
| MAX7404ESA | -40°C to +85°C | 8 SO |
| MAX7404EPA | -40°C to +85°C | 8 Plastic DIP |
| MAX7407 CSA | 0°C to +70°C | 8 SO |
| MAX7407CPA | 0°C to +70°C | 8 Plastic DIP |
| MAX7407ESA | -40°C to +85°C | 8 SO |
| MAX7407EPA | -40°C to +85°C | 8 Plastic DIP |

Chip Information

TRANSISTOR COUNT: 1116

Package Information



Maxim cannot assume responsibility for use of any circuitry other than circuitry entirely embodied in a Maxim product. No circuit patent licenses are implied. Maxim reserves the right to change the circuitry and specifications without notice at any time.

12 Maxim Integrated Products, 120 San Gabriel Drive, Sunnyvale, CA 94086 408-737-7600

© 1999 Maxim Integrated Products

Printed USA

MAXIM is a registered trademark of Maxim Integrated Products.