

MB81C81A-25/-35

CMOS 256K-BIT HIGH-SPEED SRAM

256K Words x 1 Bit High-Speed CMOS Static Random Access Memory

The Fujitsu MB81C81A is a 262,144 words x 1 bit static random access memory fabricated with a CMOS technology. The MB81C81A uses NMOS cells and CMOS peripherals and has 300 mil plastic DIP and SOJ packages. It uses fully static circuitry throughout and, therefore, requires no clocks or refreshes to operate.

The MB81C81A is designed for memory applications where high performance, low cost, large bit storage, and simple interfacing are required. It is compatible with TTL logic and requires a single +5 V supply.

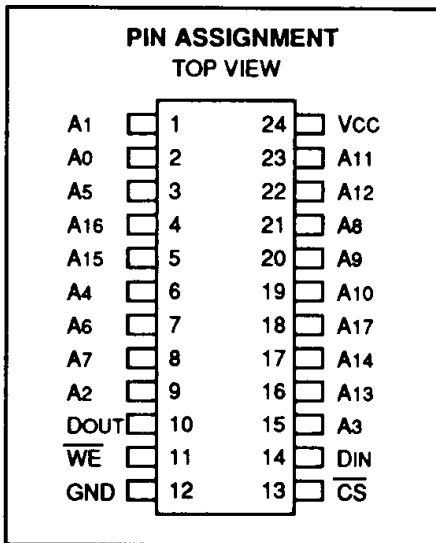
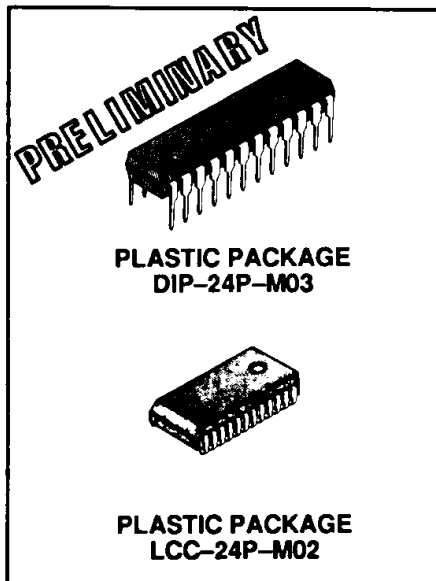
- Organization: 262,144 words x 1 bit
- Static operation: no clocks or refresh required
- Access time: 25 ns max. (MB81C81A-25)
35 ns max. (MB81C81A-35)
- Single +5 V power supply $\pm 10\%$ tolerance with low current drain:
 - 100 mA max. (Active operation)
 - 55 mA max. (Standby, CMOS level)
 - 30 mA max. (Standby, TTL level)
- Separate data inputs and outputs
- TTL compatible inputs and outputs
- Chip selected for simplified memory expansion, automatic power down
- Electrostatic protection for all inputs and outputs
- Standard 24-pin Plastic Packages:

Skinny DIP	(300 mil)	MB81C81A-xxPSK
SOJ	(300 mil)	MB81C81A-xxPJ

Absolute Maximum Ratings (See Note)

Rating	Symbol	Value	Unit
Supply Voltage	V_{CC}	-0.5 to +7	V
Input Voltage on any pin with respect to GND	V_{IN}	-3.0 to +7	V
Output Voltage on any pin with respect to GND	V_{OUT}	-0.5 to +7	V
Output Current	I_{OUT}	± 20	mA
Power Dissipation	P_D	1.0	W
Temperature Under Bias	T_{BIAS}	-10 to +85	$^{\circ}C$
Storage Temperature Range	T_{STG}	-45 to +125	$^{\circ}C$

Note: Permanent device damage may occur if absolute maximum ratings are exceeded. Functional operation should be restricted to the conditions as detailed in the operation sections of this data sheet. Exposure to absolute maximum rating conditions for extended periods may affect device reliability.



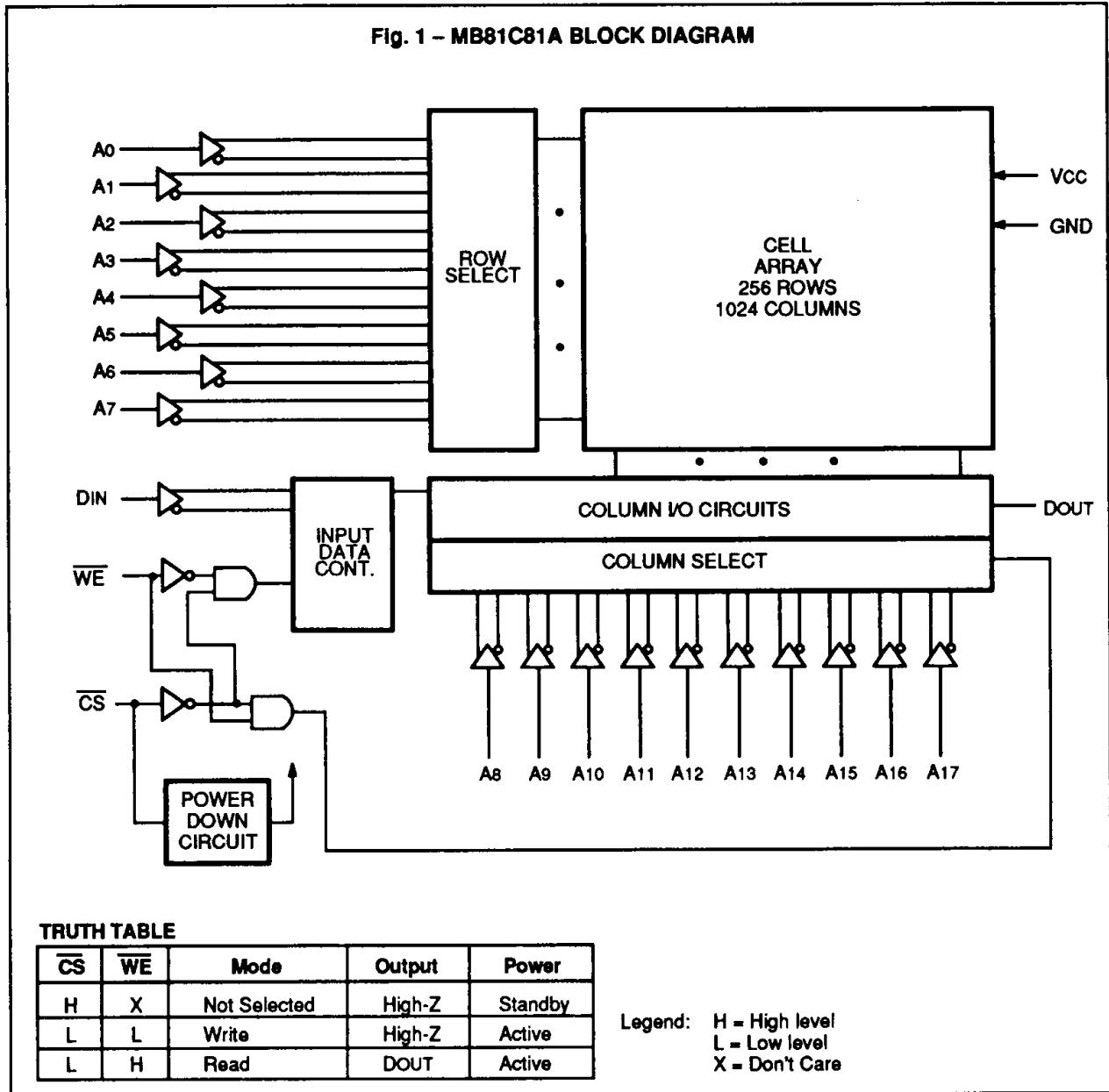
This device contains circuitry to protect the inputs against damage due to high static voltages or electric fields. However, it is advised that normal precautions be taken to avoid application of any voltage higher than maximum rated voltages to this high impedance circuit.

1

MB81C81A-25
MB81C81A-35

1

Fig. 1 - MB81C81A BLOCK DIAGRAM



CAPACITANCE ($T_A = 25^\circ\text{C}$, $f = 1\text{ MHz}$)

Parameter	Symbol	Typ	Max	Unit
Input Capacitance ($V_{IN} = 0\text{ V}$)	C_{IN}		6	pF
\overline{CS} Capacitance ($V_{\overline{CS}} = 0\text{ V}$)	$C_{\overline{CS}}$		8	pF
Output Capacitance ($V_{OUT} = 0\text{ V}$)	C_{OUT}		8	pF

PIN DESCRIPTION

Symbol	Pin Name	Symbol	Pin Name
A0 to A17	Address Input	\overline{WE}	Write Enable
DIN	Data Input	VCC	Power Supply (5V±10%)
DOUT	Data Output	GND	Ground
\overline{CS}	Chip Select		

RECOMMENDED OPERATING CONDITIONS

(Referenced to GND)

Parameter	Symbol	Min	Typ	Max	Unit
Supply Voltage	VCC	4.5	5.0	5.5	V
Ambient Temperature	TA*	0		70	°C

* The operating ambient temperature range is guaranteed with transverse airflow exceed 2m/sec.

DC CHARACTERISTICS

(Recommended operating conditions unless otherwise noted.)

Parameter	Condition	Symbol	Min	Typ	Max	Unit
Input Leakage Current	VIN = 0V to VCC	ILI	-10		10	μA
Output Leakage Current	\overline{CS} = VIH, VOUT = 0V to VCC	ILO	-50		50	μA
Power Supply Current	\overline{CS} = VIL, VIN = VIH or VIL IOUT = 0mA, Cycle = Min.	ICC			100	mA
Standby Supply Current	$\overline{CS} \geq VCC - 0.2V$ VIN ≥ VCC - 0.2V or VIN ≤ 0.2V	ISB1			15	mA
	\overline{CS} = VIH, VIN = VIH or VIL	ISB2			30	mA
Peak Power on Current ^{*1}	VCC = 0V to VCC Min., \overline{CS} = Lower of VCC or VIH Min.	IPO			30	mA
Input High Voltage		VIH	2.2		6.0	V
Input Low Voltage		VIL	-0.5 ^{*2}		0.8	V
Output High Voltage	I _{OH} = -4mA	VOH	2.4			V
Output Low Voltage	I _{OL} = 8mA	VOL			0.4	V

*1 A pull-up resistor to Vcc on the \overline{CS} input is required to keep the device deselected; otherwise, power-on current approaches Icc active.

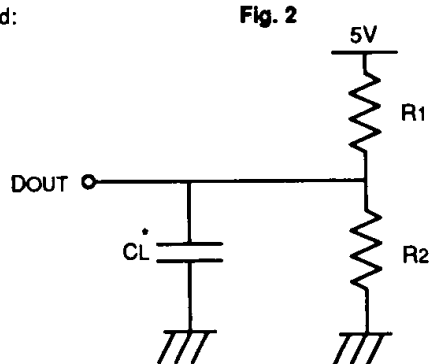
*2 -2.0 V Min. for pulse width less than 10 ns.

MB81C81A-25
MB81C81A-35

1

AC TEST CONDITIONS

- Input Pulse Levels: 0.6 V to 2.4 V
- Input Pulse Rise and Fall Times: 2 ns (0.8V to 2.2V)
- Timing Reference Levels: Input: $V_{IL} = 0.8, V_{IH} = 2.2$ V
Output: $V_{OL} = 0.8, V_{OH} = 2.2$ V
- Output Load:



*Including Scope and Jig capacitance

	R1	R2	CL	Parameters Measured
Load I	480 Ω	255 Ω	30 pF	except tLZ, tHZ, tOW and tWZ
Load II	480 Ω	255 Ω	5 pF	tLZ, tHZ, tOW and tWZ

AC CHARACTERISTICS

(Recommended operating conditions unless otherwise noted.)

Parameter	Symbol	MB81C81A-25		MB81C81A-35		Unit
		Min.	Max.	Min.	Max.	
READ CYCLE *1						
Read Cycle Time *2 *3	tRC	25		35		ns
Address Access Time	tAA		25		35	ns
Chip Select Access Time *4	tACS		25		35	ns
Output Hold from Address Change	tOH	3		3		ns
Chip Selection to Output in Low-Z	tLZ	3		3		ns
Chip Deselect to Output in High-Z	tHZ	0	15	0	20	ns
Chip Selection to Power Up Time	tPU	0		0		ns
Chip Selection to Power Down Time	tPD		25		35	ns

*1 \overline{WE} is high for Read cycle.

*2 All Read cycles are determined from the last address transition to the first address transition of next cycle.

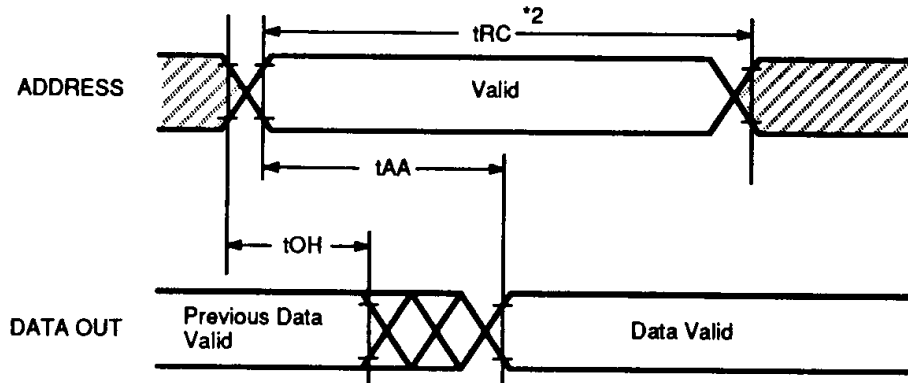
*3 Device is continuously selected, $\overline{CS} = V_{IL}$.

*4 Address valid prior to or coincident with \overline{CS} transition low.

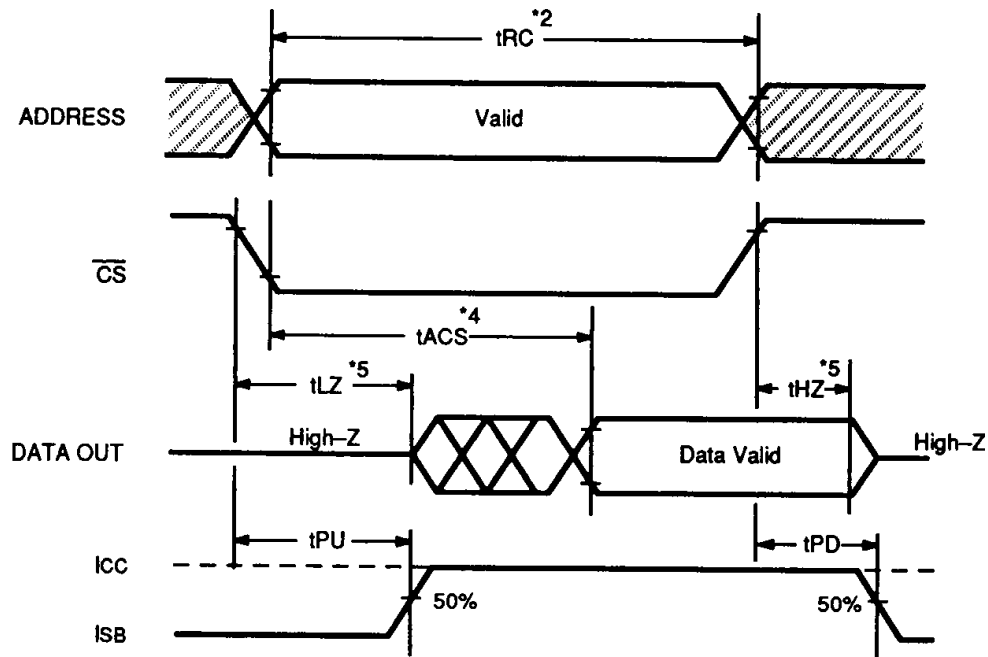
*5 Transition is measured at the point of ± 500 mV from steady state voltage with specified Load II in Fig. 2.

READ CYCLE TIMING DIAGRAM

READ CYCLE: ADDRESS CONTROLLED *1 *3



READ CYCLE: CS CONTROLLED *1 *4



⊗ : Undefined ⊠ : Don't Care

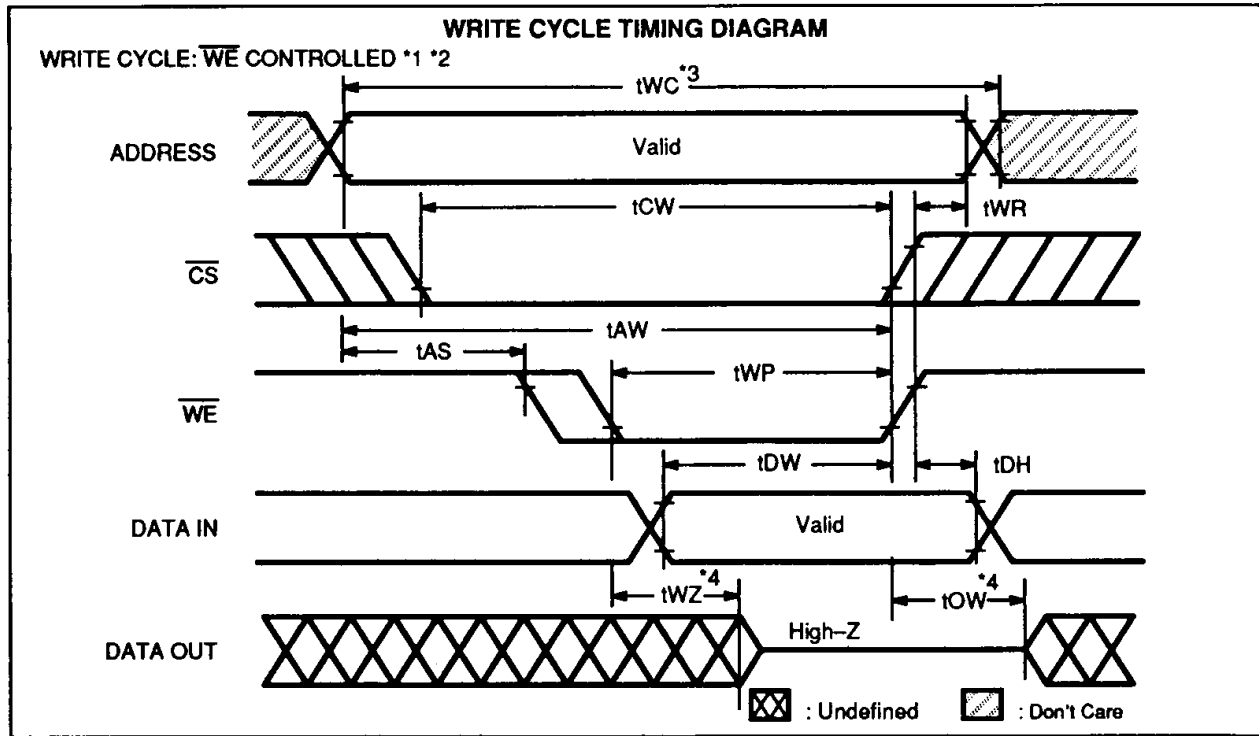
- *1 \overline{WE} is high for Read cycle.
- *2 All Read cycles are determined from the last address transition to the first address transition of next cycle.
- *3 Device is continuously selected, $\overline{CS}=V_{IL}$.
- *4 Address valid prior to or coincident with \overline{CS} transition low.
- *5 Transition is measured at the point of $\pm 500mV$ from steady state voltage with specified Load II in Fig. 2.

1

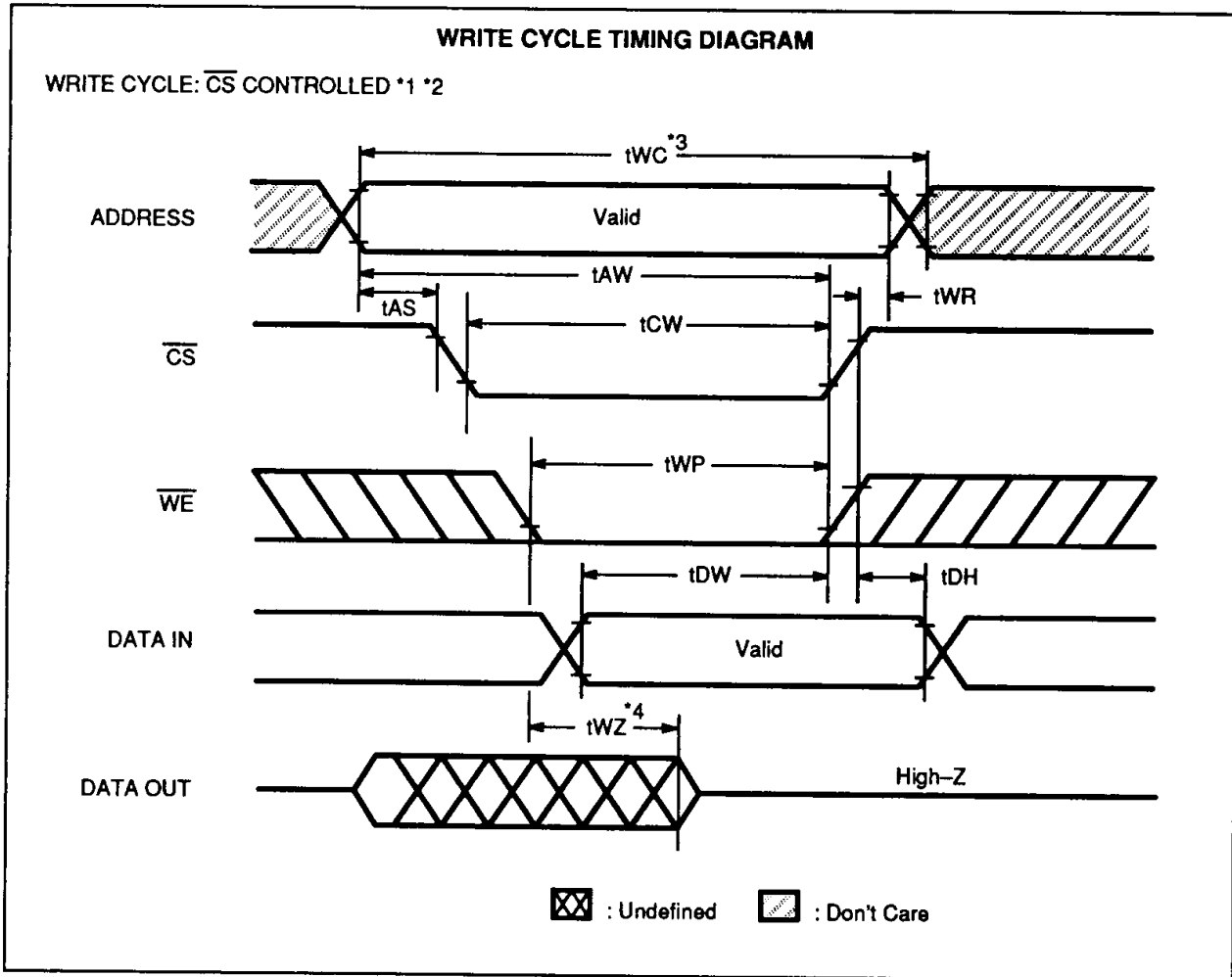
AC CHARACTERISTICS (Continued)
(Recommended operating conditions unless otherwise noted.)

Parameter	Symbol	MB81C81A-25		MB81C81A-35		Unit
		Min.	Max.	Min.	Max.	
WRITE CYCLE *1 *2						
Write Cycle Time	t _{WC}	25		35		ns
Address Valid to End of Write	t _{AW}	20		30		ns
Chip Selection to End of Write	t _{CW}	20		30		ns
Data Valid to End of Write	t _{DW}	13		18		ns
Data Hold Time	t _{DH}	0		0		ns
Write Pulse Width	t _{WP}	18		28		ns
Write Recovery Time	t _{WR}	1		1		ns
Address Setup Time	t _{AS}	0		0		ns
Output Active from End of Write	t _{OW}	0		0		ns
Write Enable to Output in High-Z	t _{WZ}	0	12	0	15	ns

1



*1 \overline{CS} or \overline{WE} must be high during address transitions.
 *2 If \overline{CS} goes high simultaneously with \overline{WE} high, the output remains in high impedance state.
 *3 All Write cycles are determined from the last address transition to the first address transition of next cycle.
 *4 Transition is measured at the point of $\pm 500\text{mV}$ from steady state voltage with specified Load II in Fig. 2.



*1 \overline{CS} or \overline{WE} must be high during address transitions.

*2 If \overline{CS} goes high simultaneously with \overline{WE} high, the output remains in high impedance state.

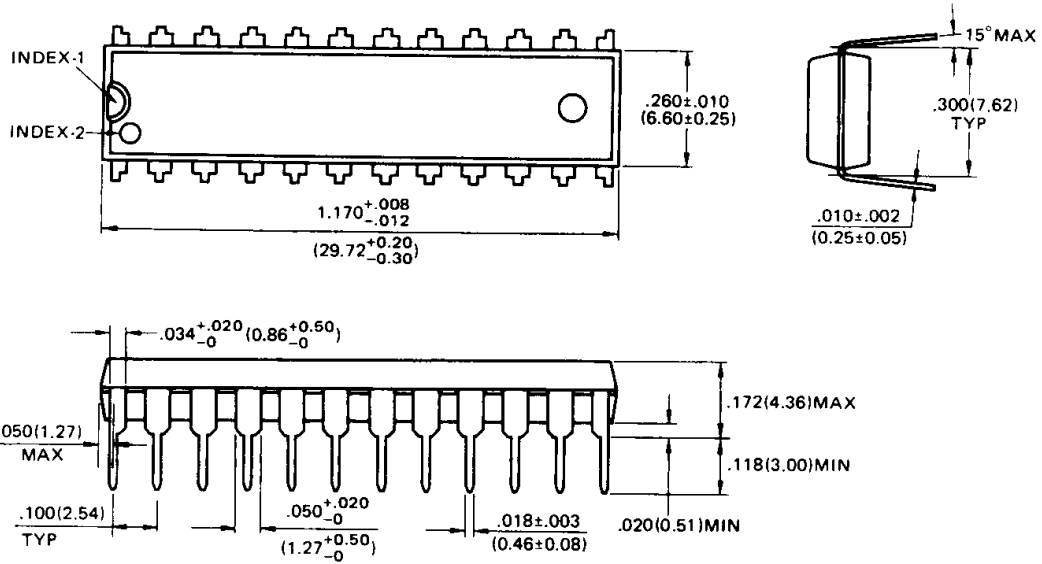
*3 All Write cycles are determined from the last address transition to the first address transition of next cycle.

*4 Transition is measured at the point of $\pm 500\text{mV}$ from steady state voltage with specified Load II in Fig. 2.

MB81C81A-25
MB81C81A-35

PACKAGE DIMENSIONS

24-LEAD PLASTIC SKINNY DUAL IN-LINE PACKAGE
(CASE No.: DIP-24P-M03)

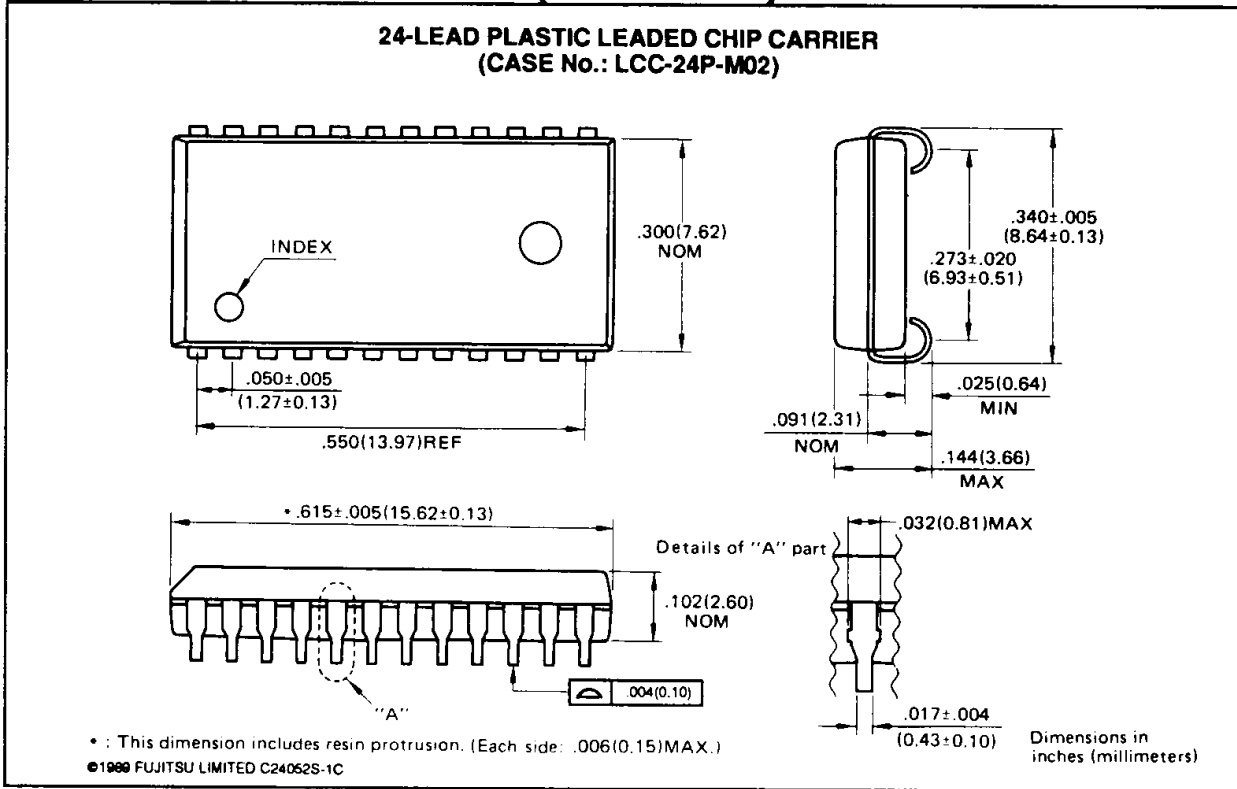


Dimensions in
inches (millimeters)

© 1988 FUJITSU LIMITED D24017S-3C

1

PACKAGE DIMENSIONS (Continued)



1