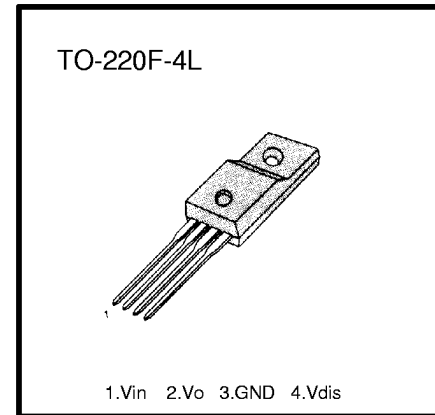


# KA78R12

# LOW DROPOUT VOLTAGE REGULATOR

## LOW DROPOUT VOLTAGE REGULATOR

The KA78R12 is a low-dropout voltage regulator suitable for various electronic equipments. It provide constant voltage power source with TO-220 4 lead full mold package. Dropout voltage of KA78R12 is below 0.5v in full rated current(1A). This regulator has various function such as peak current protection, thermal shut down, overvoltage protection and output disable function.



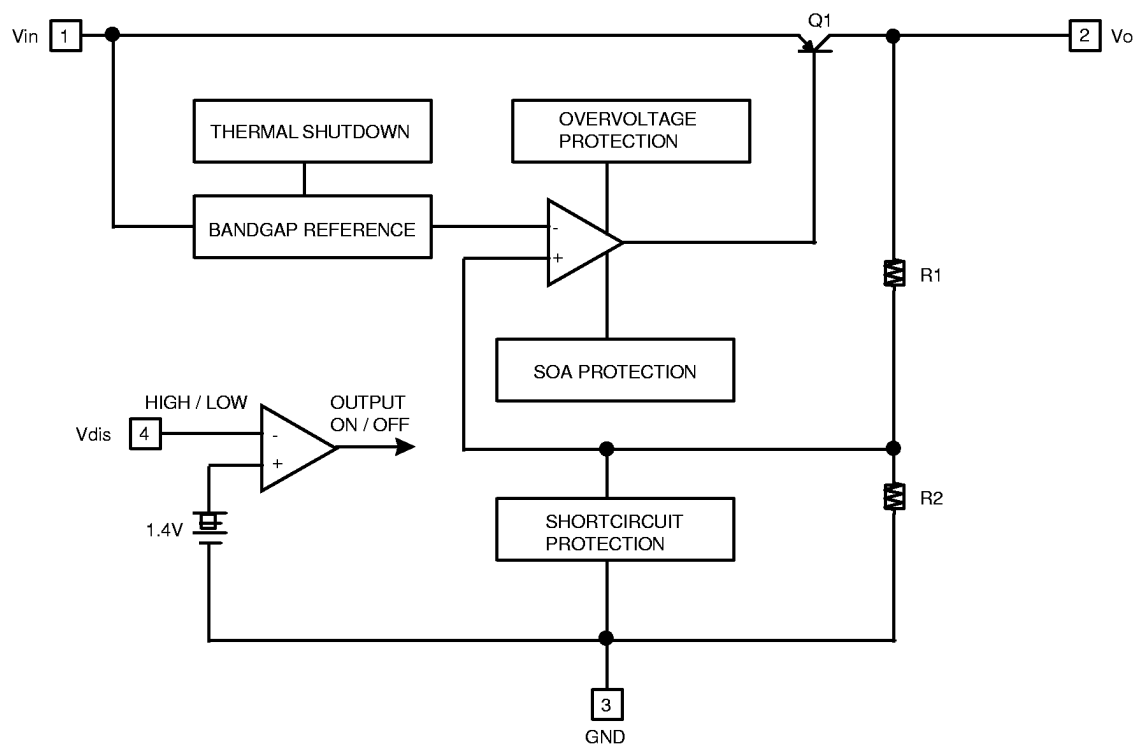
## FEATURES

- 1A / 12V Output low dropout voltage regulator
- TO220 Full-Mold package (4PIN)
- Overcurrent protection, Thermal shutdown
- Overvoltage protection, Shortcircuit protection
- With output disable function

## ORDERING INFORMATION

Device	Package	Operating Temperature
KA78R12	TO-220F-4L	-20°C - +80°C

## BLOCK DIAGRAM



## ABSOLUTE MAXIMUM RATINGS

Characteristic	Symbol	Value	Unit	Remark
Input Voltage	V <sub>in</sub>	35	V	-
Disable Voltage	V <sub>dis</sub>	35	V	-
Output Current	I <sub>o</sub>	1.0	A	-
Power Dissipation 1	P <sub>d1</sub>	1.5	W	No Heatsink
Power Dissipation 2	P <sub>d2</sub>	15	W	With Heatsink
Junction Temperature	T <sub>j</sub>	150	°C	-
Operating Temperature	T <sub>opr</sub>	-20 ~ 80	°C	-

## ELECTRICAL CHARACTERISTICS

(V<sub>in</sub>=15V, I<sub>o</sub>=0.5A, T<sub>a</sub>=25 °C, unless otherwise specified )

Characteristic	Symbol	Test Condition	Min	Typ	Max	Unit
Output Voltage	V <sub>o</sub>	-	11.7	12	12.3	V
Load Regulation	R <sub>load</sub>	5mA < I <sub>o</sub> < 1A	-	0.1	2.0	%
Line Regulation	R <sub>line</sub>	13V < V <sub>in</sub> < 29V	-	0.5	2.5	%
Ripple Rejection Ratio	RR	note1	45	55	-	dB
Dropout Voltage	V <sub>drop</sub>	I <sub>o</sub> = 1A	-	-	0.5	V
Disable Voltage High	V <sub>disH</sub>	Output Active	2.0	-	-	V
Disable Voltage Low	V <sub>disL</sub>	Output Disabled	-	-	0.8	V
Disable Bias Current High	I <sub>disH</sub>	V <sub>dis</sub> = 2.7V	-	-	20	μA
Disable Bias Current Low	I <sub>disL</sub>	V <sub>dis</sub> = 0.4V	-	-	-0.4	mA
Quiescent Current	I <sub>q</sub>	I <sub>o</sub> = 0A	-	-	10	mA

\*note1 : These parameters, although guaranteed, are not 100% tested in production.

FIG.1 OUTPUT VOLTAGE vs. INPUT VOLTAGE

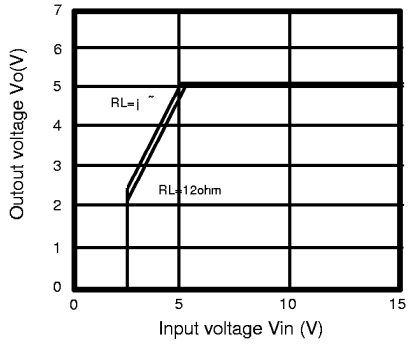


FIG.2 QUISCENT CURRENT vs. INPUT VOLTAGE

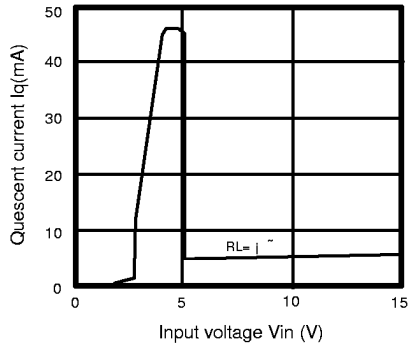


FIG.3 OUTPUT VOLTAGE vs. DISABLE VOLTAGE

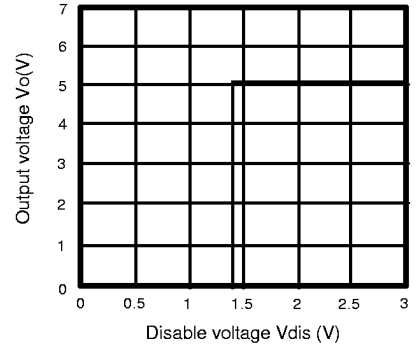


FIG.4 OUTPUT VOLTAGE vs. TEMPERATURE(Tj)

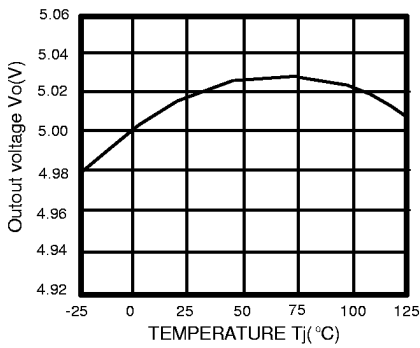


FIG.5 QUISCENT CURRENT vs. TEMPERATURE(Tj)

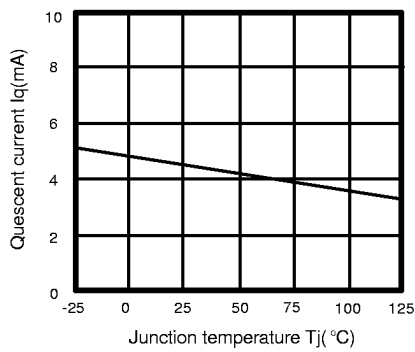


FIG.6 DROPOUT VOLTAGE vs. DISABLE VOLTAGE

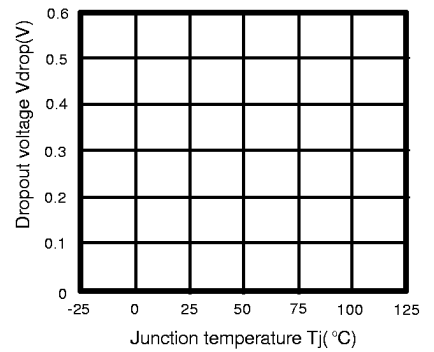
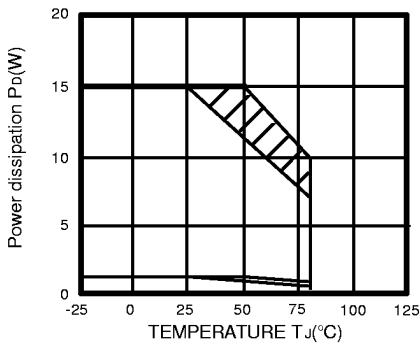
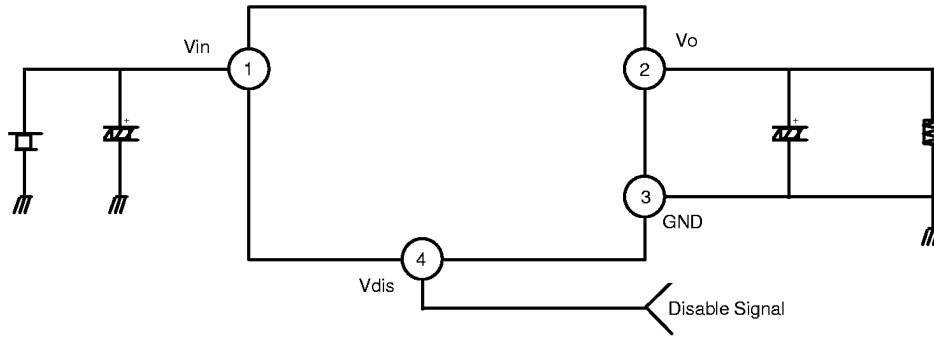


FIG.7 POWER DISSIPATION vs. TEMPERATURE(Ta)

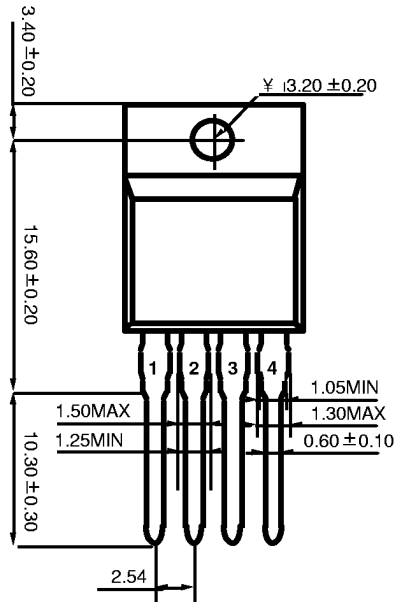
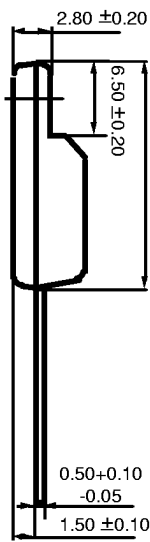


TYPICAL APPLICATION

FIG.1 APPLICATION CIRCUIT



< TO220F-4L >



\* DIMENSIONS IN MILLIMETER

