

# AN3813K, AN3814K

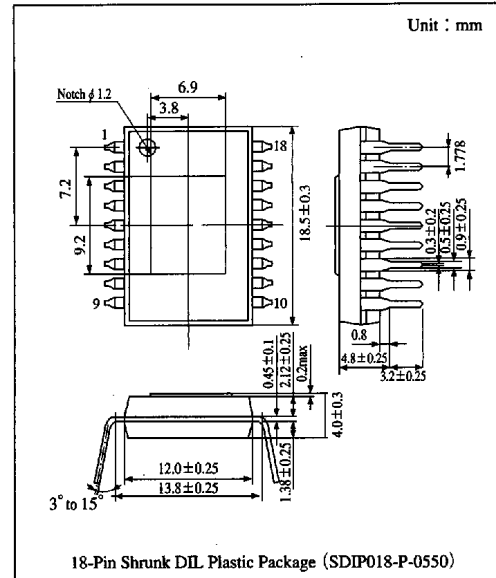
## Cylinder Motor Driver ICs for VCR

### Overview

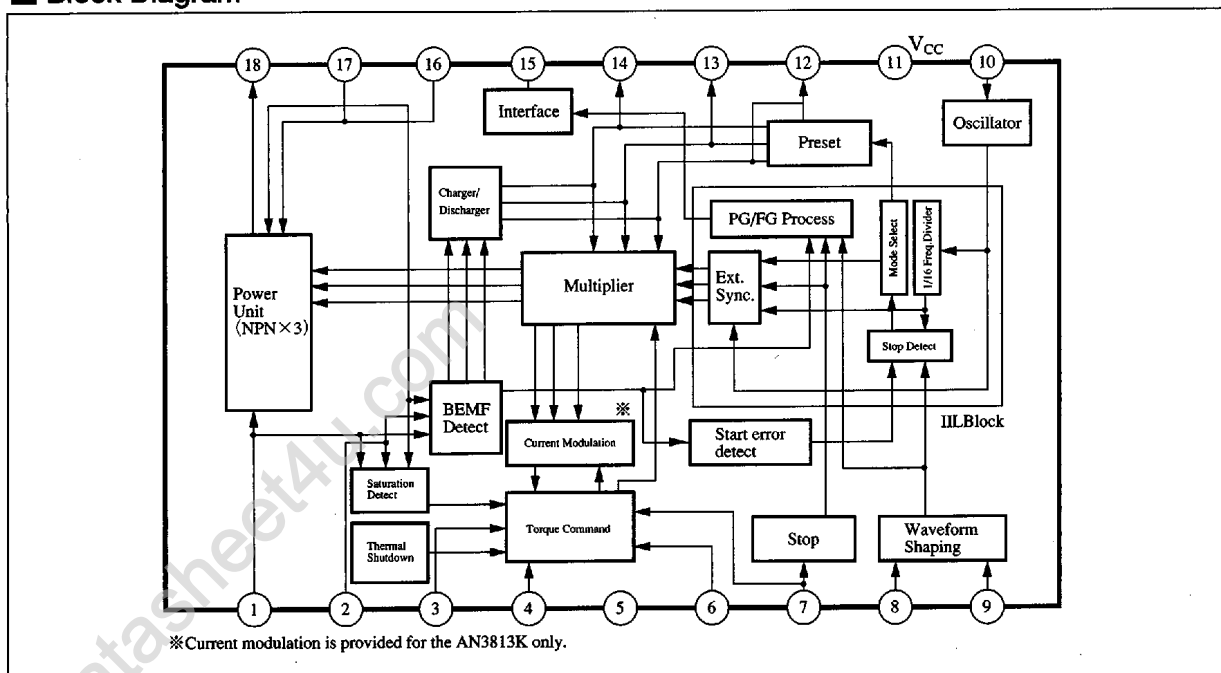
The AN3813K and AN3814K are ICs developed to drive VCR cylinder motor. They provide sensorless drive which requires no position-detecting Hall elements.

### Features

- Position detecting Hall elements unrequired.
- 3-phase half-wave overlap drive.
- PG/FG composite three-valued output.
- Built-in thermal protection circuit.
- Max. output current 1.5A.
- The AN3813K incorporates a current modulator which reduces an electromagnetic sound.



### Block Diagram



6932852 0014549 801

**Panasonic**