

Am29118

Eight-Bit Am29116 I/O Support



Am29118

Advanced Micro Devices

DISTINCTIVE CHARACTERISTICS

- Eight-bit bidirectional I/O port
- Reads both registers on A-port
- Separate clock, clock enable and three-state output enable to synchronize data between two bidirectional buses
- 24 mA output current sink capability
- 24-pin 0.3-inch slim package
- Additional accumulator to support certain Am29116 applications.

GENERAL DESCRIPTION

The Am29118 is an eight-bit wide bidirectional parallel data input/output port designed to provide an additional accumulator when used with the Am29116 or with any micropro-

cessor with single bidirectional data port. In addition, it can be used as a parallel data input/output port, like the Am2952.

BLOCK DIAGRAM

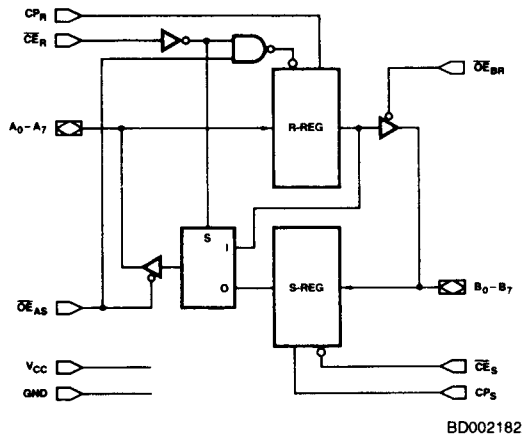


Figure 1

RELATED AMD PRODUCTS

Part No.	Description
Am29116 Family	High Performance 16-Bit Bipolar Microprocessor Family
Am2910A	Microprogram Controller
Am2914	Vectored Priority Interrupt Controller
Am2925	System Clock Generator and Driver
Am2940/2	DMA Address Generator
Am2950-3	8-Bit Bidirectional I/O Ports
Am29800 Family	High Performance Bus Interface

S-3

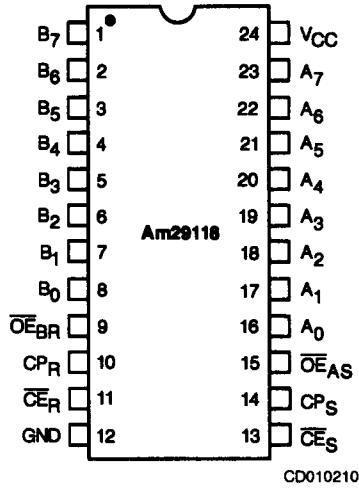
Orig

002136

T2136

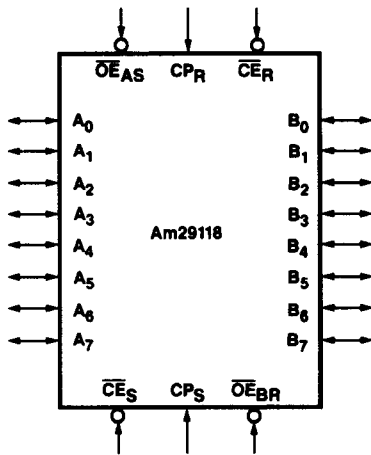
CONNECTION DIAGRAM Top View

SLIM (CD3024)



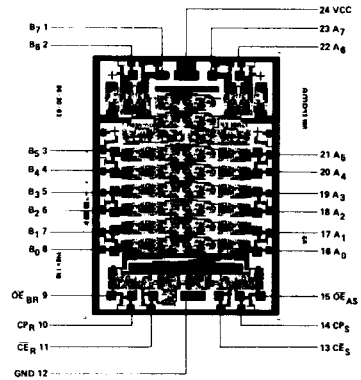
Note: Pin 1 is marked for orientation.

LOGIC SYMBOL



LS000932

METALLIZATION AND PAD LAYOUT



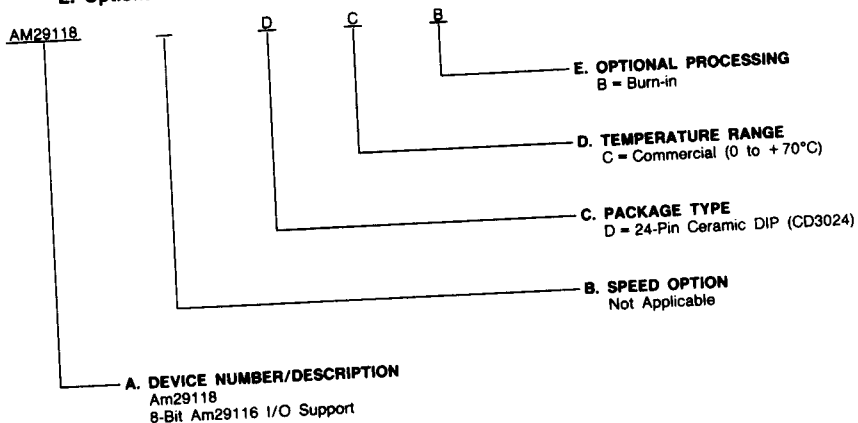
DIE SIZE 0.148" x 0.110"
Approximate Gate Count = 109

ORDERING INFORMATION

Standard Products

AMD standard products are available in several packages and operating ranges. The order number (Valid Combination) is formed by a combination of:

- A. Device Number
- B. Speed Option (if applicable)
- C. Package Type
- D. Temperature Range
- E. Optional Processing



Valid Combinations	
AM29118	DC, DCB

Valid Combinations

Valid Combinations list configurations planned to be supported in volume for this device. Consult the local AMD sales office to confirm availability of specific valid combinations, to check on newly released combinations, and to obtain additional data on AMD's standard military grade products.

PIN DESCRIPTION

A₀ - A₇ Register I/O Ports (Input/Output)

Eight bidirectional lines carrying the R Register inputs or outputs or S Register outputs.

B₀ - B₇ Register I/O Ports (Input/Output)

Eight bidirectional lines carrying the S Register inputs or R Register outputs.

CP_R Clock Pulse, R-Register (Input)

The clock for the R Register. When \overline{CE}_R is LOW and \overline{OE}_{AS} is HIGH, data is entered into the R Register on the LOW-to-HIGH transition of the CP_R signal.

\overline{CE}_R Register Enable, R Register (Input, Active LOW)

The Clock Enable for the R Register, when \overline{CE}_R is LOW and \overline{OE}_{AS} is HIGH, data is entered into the R Register on the LOW-to-HIGH transition of the CP_R signal. When \overline{CE}_R is HIGH, the R Register holds its contents, regardless of CP_R signal transitions.

\overline{OE}_{BR} Output Enable, B Port (Input, Active LOW)

The Output Enable for the R Register. When \overline{OE}_{BR} is LOW, the R Register three-state outputs are enabled onto the B₀ - B₇ lines. When \overline{OE}_{BR} is HIGH, the R Register outputs are in the high-impedance state.

CP_S Clock Pulse, S Register (Input)

The clock for the S Register. When \overline{CE}_S is LOW, data is entered into the S Register on the LOW-to-HIGH transition of the CP_S signal.

\overline{CE}_S Register Enable, S Register (Input, Active LOW)

The clock enable for the S Register. When \overline{CE}_S is LOW, data is entered into the S Register on the LOW-to-HIGH transition of the CP_S signal. When \overline{CE}_S is HIGH, the S Register holds its contents, regardless of CP_S signal transitions.

\overline{OE}_{AS} Output Enable, A Port (Input, Active LOW)

The output enable for the S Register. When \overline{OE}_{AS} is LOW, the R or S Register three-state outputs are enabled onto the A₀ - A₇ lines. When \overline{OE}_{AS} is high, the S Register outputs are in the high-impedance state.

FUNCTIONAL DESCRIPTION

The Am29118 has two eight-bit wide registers (R-Register and S-Register) connected back to back for moving data in both directions between two buses. The R-Register serves the dual purpose of transmitting data from one bus (device's internal bus) to another (system bus), and serving as an additional accumulator for the Am29116.

The accumulator function is implemented by allowing the A-port to provide read and write data from the R-Register and read data from the S-Register; the B-port provides read data for the R-Register and write data for the S-Register (similar to the Am2952). This additional function in the Am29118 is implemented with a two-input multiplexer, as shown in Figure 1. Each register has an individual clock (CP_R and CP_S), a Clock Enable, (\overline{CE}_R and \overline{CE}_S), and a three-state Output

Enable (\overline{OE}_{AS} and \overline{OE}_{BR}). The clock enable signal for the R-Register (\overline{CE}_R) and the Output Enable Signal for the S-Register (\overline{OE}_{AS}) are encoded to make the R-Register an accumulator, in addition to all the Am2952 functions as shown in Table 1. Because of this encoding, transferring data from the S-Register to the R-Register is not permissible.

TABLE 1.

\overline{OE}_{AS}	\overline{CE}_R	Function
L	L	Read R, Disable CP _R
L	H	Read S, Disable CP _R
H	L	Enable CP _R
H	H	Disable CP _R

APPLICATIONS

In the Am29116 system, there is only one I/O port available for data communication with the ALU. In such a system, the Am29118 acts as an additional accumulator (temporary storage) to increase performance, and also provides capability of a bidirectional I/O port (like the Am2952).

Figure 2 shows the connections necessary for the Am29118 to be used as an accumulator as well as a bidirectional I/O port. The A-port is connected to the Y-bus (internal bus) of the Am29116, and B-port is connected to the system data bus. Four microcode bits are used for source and destination control for the Y-bus and the system data bus. Figure 3 shows the timing waveforms to modify an accumulator (R-Register) in two microcycles. During the first cycle, data is read from the R-Register, modified in the Am29116 and stored in one of the internal registers. A two-address architecture is required if the second operand to modify the R-Register is in one of the RAM registers, and the result has to be stored in another RAM register. For stable operation, data from the R-Register is latched in the D-Latch halfway through the clock during the

first cycle. The instruction is executed and the result stored into a scratchpad register. In the second cycle, data is moved from the internal result register to the R-Register of the Am29118.

Figure 4 shows the timing waveforms to modify an accumulator (R-Register) in a single microcycle. In the first half of the cycle the source register is enabled on the Y-bus into the D-Latch of the Am29116. The D-Latch is transparent during the first half of the cycle. In the second half of the cycle, data is latched in the D-Latch and the bus source is disabled. During the second half of the cycle, the output buffer of the Am29116 is enabled to bring the result on the Y-bus to be loaded into the destination. These two techniques provide different advantages and disadvantages to modify the external accumulator using the Am29116. The first technique (Figure 3) takes two microcycles but allows a shorter microcycle time. The second technique (Figure 4) takes only one microcycle but needs a longer microcycle time.

There is also a requirement for the system bus to transfer data as input to the Am29116. The S-Register is used in this case to receive data from the system bus (like the Am2952).

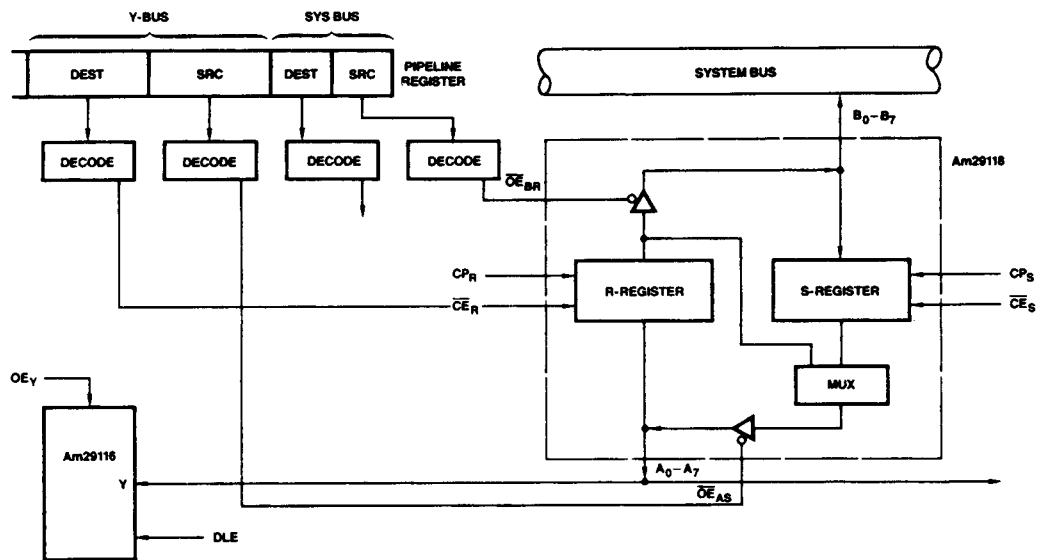
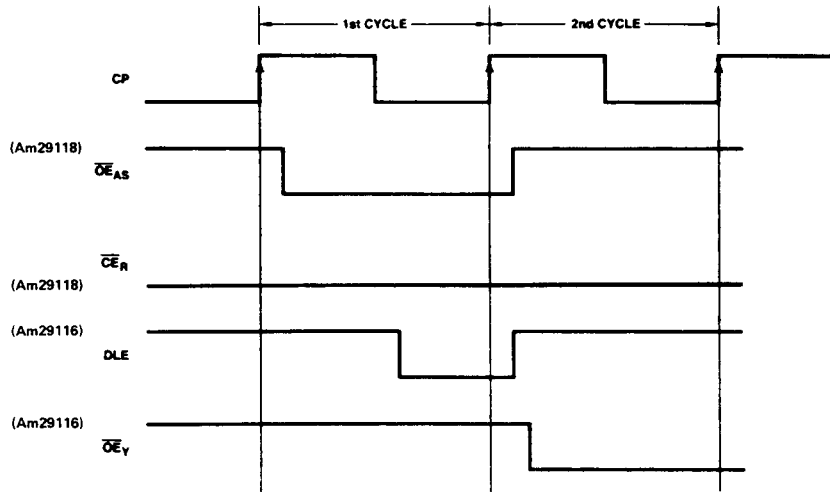


Figure 2. System Configuration.

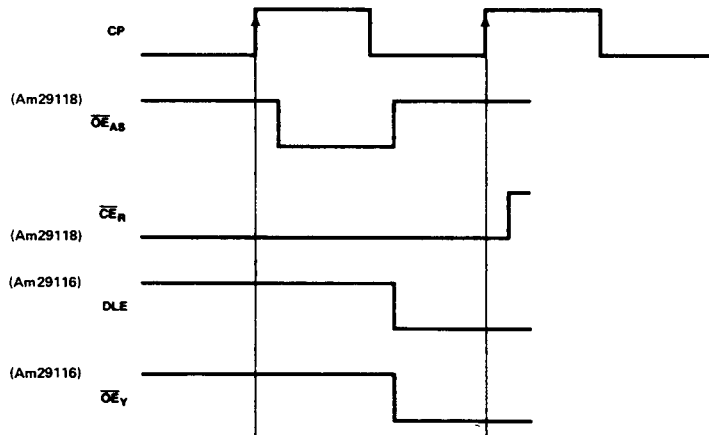
BD002490

SWITCHING WAVEFORMS



WF002622

Figure 3. Timing Waveforms for Modifying R-Register in Two Microcycles using the Am29116.



WF002641

Figure 4. Timing Waveforms for Modifying R-Register using the Am29116.

ABSOLUTE MAXIMUM RATINGS

Storage Temperature -65°C to +150°C
 (Ambient) Temperature under Bias -55°C to +125°C
 Supply Voltage to Ground Potential
 Continuous -0.5 V to +7.0 V
 DC Voltage Applied to Outputs For
 High Output State -0.5 V to +V_{CC} max
 DC Input Voltage -0.5 V to +5.5 V
 DC Output Current, into Outputs 30 mA
 DC Input Current -30 mA to +5.0 mA

Stresses above those listed under ABSOLUTE MAXIMUM RATINGS may cause permanent device failure. Functionality at or above these limits is not implied. Exposure to absolute maximum ratings for extended periods may affect device reliability.

OPERATING RANGES

Commercial (C) Devices
 Temperature 0°C to +70°C
 Supply Voltage +4.75 V to +5.25 V

Operating ranges define those limits over which the functionality of the device is guaranteed.

DC CHARACTERISTICS over operating range unless otherwise specified

Parameters	Description	Test Conditions (Note 1)		Min.	Max.	Units	
V _{OH}	Output HIGH Voltage	V _{CC} = MIN V _{IN} = V _{IH} or V _{IL}	A ₀ - A ₇ , B ₀ - B ₇	COM'L, I _{OL} = -6.5 mA	2.4	Volts	
V _{OL}	Output LOW Voltage	V _{CC} = MIN V _{IN} = V _{IH} or V _{IL}	A ₀ - A ₇ , B ₀ - B ₇	COM'L, I _{OL} = 24 mA	0.5	Volts	
V _{IH}	Input HIGH Level	Guaranteed input logical HIGH voltage for all inputs		2.0		Volts	
V _{IL}	Input LOW Level	Guaranteed input logical LOW voltage for all inputs			0.8	Volts	
V _I	Input Clamp Voltage	V _{CC} = MIN, I _{IN} = -18 mA			-115	Volts	
I _{IL}	Input LOW Current	V _{CC} = MAX, V _{IN} = 0.5 V		A ₀ - A ₇ , B ₀ - B ₇	-250	μA	
				C _{ER}	-720	μA	
				Others	-360	μA	
I _{IH}	Input HIGH Current	V _{CC} = MAX, V _{IN} = 2.7 V		A ₀ - A ₇ , B ₀ - B ₇	70	μA	
				Others	20		
I _I	Input HIGH Current	V _{CC} = MAX, V _{IN} = 5.5 V			1.0	mA	
I _o	Output Off-state Leakage Current	V _{CC} = MAX		A ₀ - A ₇ , B ₀ - B ₇	V _O = 2.4 V	70	μA
					V _O = 0.4 V	-250	
I _{SC}	Output Short Circuit Current (Note 2)	V _{CC} = MAX			-30	-85	mA
I _{CC}	Power Supply Current (Notes 3, 4)	V _{CC} = MAX		COM'L	T _A = 0 to +70°C	190	mA
					T _A = +70°C	180	

- Notes: 1. For conditions shown as MIN or MAX, use the appropriate value specified under Operating Ranges for the applicable device type.
 2. Not more than one output should be shorted at a time. Duration of the short circuit test should not exceed one second.
 3. I_{CC} is measured with all inputs at 4.5 V and all outputs open.
 4. Worst case I_{CC} is at minimum temperature.

SWITCHING CHARACTERISTICS

The tables below define the Am29118 switching characteristics. Table A is setup and hold times relative to a clock LOW-to-HIGH transition. Table B is propagational delays. Table C is pulse-width requirements. Table D is enable/disable times. All measurements are made at 1.5 V with input levels at 0 or 3 V. All values are in ns with R_L on A_i and $B_i = 220\Omega$ and R_L on FS and FR = 300Ω . $C_L = 50$ pF except output disable times which are specified at $C_L = 5$ pF.

GUARANTEED CHARACTERISTICS OVER COMMERCIAL OPERATING RANGE

($T_A = 0$ to $+70^\circ\text{C}$, $V_{CC} = 4.75$ to 5.25 V, $C_L = 50$ pF)

A. Setup and Hold Times

Input	With Respect to	t_s	t_h
$A_0 - A_7$	CP_R ↓	11	3
$B_0 - B_7$	CP_S ↓	11	3
\overline{OE}_S	CP_S ↓	9	2
\overline{OE}_R	CP_R ↓	9	2

C. Pulse-Width Requirements

Input	Min LOW Pulse Width	Min HIGH Pulse Width
CP_S	20	20
CP_R	20	20

B. Propagation Delays

Input	$A_0 - A_7$	$B_0 - B_7$
CP_S ↓	20	-
CP_R ↓	-	20

D. Enable/Disable Times

From	To	Disable	Enable
\overline{OE}_{AS}	$A_0 - A_7$	20	20
\overline{OE}_{BR}	$B_0 - B_7$	20	20

Test Philosophy and Methods

The following points give the general philosophy that we apply to tests that must be properly engineered if they are to be implemented in an automatic testing environment. The specifics of what philosophies are applied to which test are shown in the data sheet and the data-sheet reconciliation that follow.

Capacitive Loading for AC Testing

Automatic testers and their associated hardware have stray capacitance that varies from one type of tester to another, but is generally around 50 pF. This, of course, makes it impossible to make direct measurements of parameters that call for smaller capacitive load than the associated stray capacitance. Typical examples of this are the so-called "float delays" that measure the propagation delays in to and out of the high-impedance state and are usually specified at a load capacitance of 5.0 pF. In these cases, the test is performed at the higher load capacitance (typically 50 pF) and engineering correlations based on data taken with a bench setup are used to determine the result at the lower capacitance.

Similarly, a product may be specified at more than one capacitive load. Since the typical automatic tester is not capable of switching loads in mid-test, it is impractical to make measurements at both capacitances even though they may both be greater than the stray capacitance. In these cases, a measurement is made at one of the two capacitances. The result at the other capacitance is determined from engineering correlations based on data taken with a bench setup and the knowledge that certain DC tests are performed in order to facilitate this correlation.

AC loads specified in the data sheet are used for bench testing. Automatic tester loads, which simulate the data-sheet loads, may be used during production testing.

Threshold Testing

The noise associated with automatic testing, the long inductive cables, and the high gain of bipolar devices frequently give rise to oscillations when testing high-speed circuits. These oscillations are not indicative of a reject device, but instead, of an overtaxed system. To minimize this problem, thresholds are tested at least once for each input pin. Thereafter, "hard" high and low levels are used for other tests. Generally this means that function and AC testing are performed at "hard" input levels.

AC Testing

AC parameters are specified that cannot be measured accurately on automatic testers because of tester limitations. Data-input hold times fall into this category. In these cases, the parameter in question is tested by correlating the tester to bench data or oscilloscope measurements made on the tester by engineering (supporting data on file).

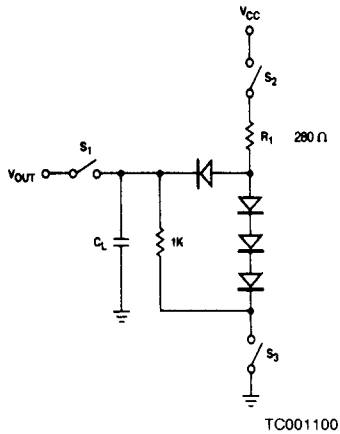
Certain AC tests are redundant since they can be shown to be predicted by other tests that have already been performed. In these cases, the redundant tests are not performed.

Output Short-Circuit Current Testing

When performing I_{OS} tests on devices containing RAM or registers, great care must be taken that undershoot caused by grounding the high-state output does not trigger parasitic elements which in turn cause the device to change state. In order to avoid this effect, it is common to make the measurement at a voltage (V_{output}) that is slightly above ground. The V_{CC} is raised by the same amount so that the result (as confirmed by Ohm's law and precise bench testing) is identical to the $V_{OUT} = 0$, $V_{CC} = \text{Max.}$ case.

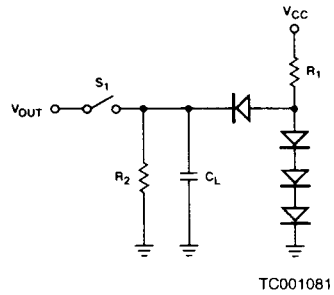
SWITCHING TEST CIRCUIT

A. THREE-STATE OUTPUTS



$$R_1 = \frac{5.0 - V_{BE} - V_{OL}}{I_{OL} + V_{OL}} \times 1K$$

B. NORMAL OUTPUTS



$$R_2 = \frac{2.4 V}{I_{OH}}$$

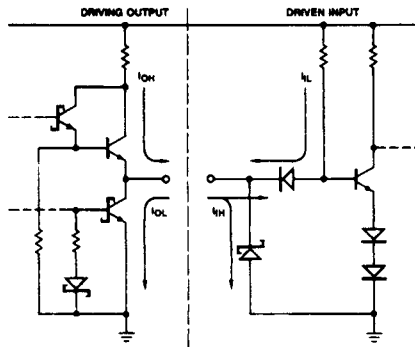
$$R_1 = \frac{5.0 - V_{BE} - V_{OL}}{I_{OL} + V_{OL}} \times R_2$$

- Notes:
1. $C_L = 50$ pF includes scope probe, wiring and stray capacitances without device in test fixture.
 2. S_1, S_2, S_3 are closed during function tests and all AC tests except output enable tests.
 3. S_1 and S_3 are closed while S_2 is open for t_{PZH} test.
 4. S_1 and S_2 are closed while S_3 is open for t_{PZL} test.
 5. $C_L = 5.0$ pF for output disable tests.

TEST OUTPUT LOADS FOR Am29118

Pin# (DIP)	Pin Label	Test Circuit	R_1	R_2
16-23	A ₀ - A ₇	A	220	1K
1-8	B ₀ - B ₇	A	220	1K

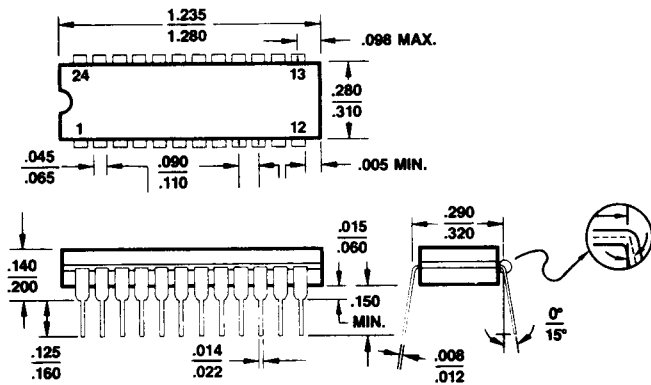
INPUT/OUTPUT CURRENT INTERFACE CONDITIONS



ICR00501

PHYSICAL DIMENSIONS

CD3024



PID # 06850B

The International Standard of
Quality guarantees a 0.05% AQL on all
electrical parameters, AC and DC,
over the entire operating range.

INT-STD-500

ADVANCED MICRO DEVICES U.S. SALES OFFICES

ALABAMA	(205) 882-9122	MASSACHUSETTS	(617) 273-3970
ARIZONA,		MINNESOTA	(612) 938-0001
Tempe	(602) 242-4400	MISSOURI	(314) 275-4415
Tucson	(602) 792-1200	NEW JERSEY	(201) 299-0002
CALIFORNIA,		NEW YORK,	
El Segundo	(213) 640-3210	Liverpool	(315) 457-5400
Newport Beach	(714) 752-6262	Poughkeepsie	(914) 471-8180
San Diego	(619) 560-7030	Woodbury	(516) 364-8020
Sunnyvale	(408) 720-8811	NORTH CAROLINA	(919) 847-8471
Woodland Hills	(818) 992-4155	OREGON	(503) 245-0080
COLORADO	(303) 741-2900	OHIO,	
CONNECTICUT	(203) 264-7800	Columbus	(614) 891-6455
FLORIDA,		PENNSYLVANIA,	
Clearwater	(813) 530-9971	Allentown	(215) 398-8006
Ft Lauderdale	(305) 484-8600	Willow Grove	(215) 657-3101
Melbourne	(305) 729-0496	TEXAS,	
Orlando	(305) 859-0831	Austin	(512) 346-7830
GEORGIA	(404) 449-7920	Dallas	(214) 934-9099
ILLINOIS	(312) 773-4422	Houston	(713) 785-9001
INDIANA	(317) 244-7207	WASHINGTON	(206) 455-3600
KANSAS	(913) 451-3115	WISCONSIN	(414) 782-7748
MARYLAND	(301) 796-9310		

INTERNATIONAL SALES OFFICES

BELGIUM,		HONG KONG,	
Bruxelles	TEL: (02) 771 99 93	Kowloon	TEL: 3-695377
	FAX: (02) 762-3716		FAX: 1234276
	TLX: 61028		TLX: 50426
CANADA, Ontario,		ITALY, Milano	TEL: (02) 3390541
Kanata	TEL: (416) 592-0090		FAX: (02) 3498000
Willowdale	TEL: (416) 224-5193		TLX: 315286
	FAX: (416) 224-0056	JAPAN, Tokyo	TEL: (03) 345-8241
FRANCE,			FAX: 3425196
Paris	TEL: (01) 45 60 00 55		TLX: J24064AMDTKOJ
	FAX: (01) 46 86 21 85	LATIN AMERICA,	
	TLX: 202053F	Ft. Lauderdale	TEL: (305) 484-8600
GERMANY,			FAX: (305) 485-9736
Hannover area	TEL: (05143) 50 55		TLX: 5109554261 AMDFTL
	FAX: (05143) 55 53	SWEDEN, Stockholm	TEL: (08) 733 03 50
	TLX: 925287		FAX: (08) 733 22 85
München	TEL: (089) 41 14-0		TLX: 11602
	FAX: (089) 406490	UNITED KINGDOM,	
	TLX: 523883	Manchester area	TEL: (0925) 828008
Stuttgart	TEL: (0711) 62 33 77		FAX: (0925) 827693
	FAX: (0711) 625187		TLX: 628524
	TLX: 721882	London area	TEL: (04862) 22121
			FAX: (04862) 22179
			TLX: 859103

NORTH AMERICAN REPRESENTATIVES

CALIFORNIA		NEW MEXICO	
I ² INC	OEM (408) 988-3400	THORSON DESERT STATES	(505) 293-8555
	DISTI (408) 496-6868	NEW YORK	
IDAHO		NYCOM, INC	(315) 437-8343
INTERMOUNTAIN TECH MKGT	(208) 888-6071	OHIO	
INDIANA		Dayton	
SAI MARKETING CORP	(317) 241-9276	DOLFUSS ROOT & CO	(513) 433-6776
IOWA		Strongsville	
LORENZ SALES	(319) 377-4666	DOLFUSS ROOT & CO	(216) 238-0300
MICHIGAN		PENNSYLVANIA	
SAI MARKETING CORP	(313) 227-1786	DOLFUSS ROOT & CO	(412) 221-4420
NEBRASKA		UTAH	
LORENZ SALES	(402) 475-4660	R ² MARKETING	(801) 595-0631

Advanced Micro Devices reserves the right to make changes in its product without notice in order to improve design or performance characteristics. The performance characteristics listed in this document are guaranteed by specific tests, guard banding, design and other practices common to the industry. For specific testing details, contact your local AMD sales representative. The company assumes no responsibility for the use of any circuits described herein.



ADVANCED MICRO DEVICES 901 Thompson Pl., P.O. Box 3453, Sunnyvale, CA 94088, USA
TEL: (408) 732-2400 • TWX: 910-339-9280 • TELEX: 34-6306 • TOLL FREE: (800) 538-8450

© 1986 Advanced Micro Devices, Inc.
Printed in U.S.A. AIS-RRD-15M-11/86-0