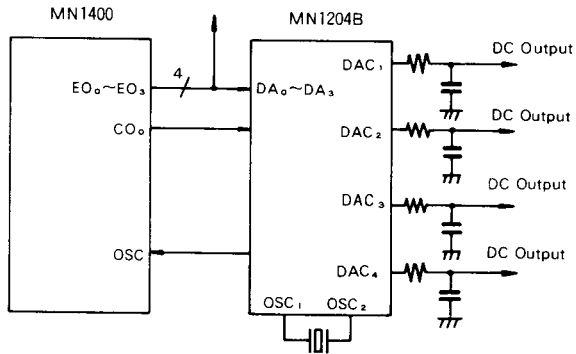
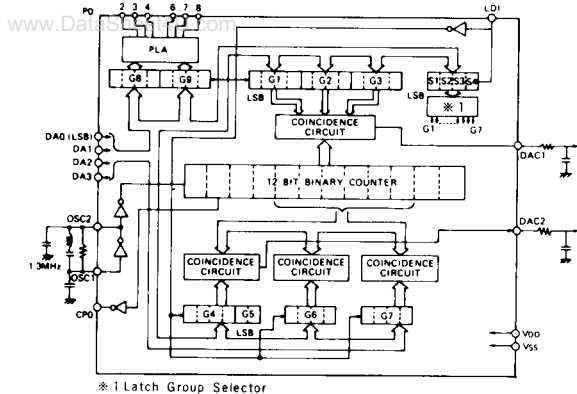


www.DataSheet4U.com MNI 204B	NMOS Dual D/A Converter	$V_{DD} = -0.3 \sim +8V$	Supply Current	I_{DD}	$f_{OSC} = 1.3MHz$		7	14	mA	
		$V_I = -0.3 \sim +8V$	"H" Level Input Voltage	V_{IH}			2.4		V_{DD}	V
		$V_O = -0.3 \sim +15V$	"L" Level Input Voltage	V_{IL}			0		0.8	V
		$T_{opr} = -30 \sim +70^{\circ}C$	"H" Level Output Voltage	V_{OH1}	CAC1, DAC2	$I_{OH} = +30\mu A$	12.0			V
		$T_{stg} = -55 \sim +125^{\circ}C$	"L" Level Output Voltage	V_{OL1}		$I_{OL} = 2mA$			0.8	V
		Operating Condition	"H" Level Output Voltage	V_{OH2}	CP \bar{O}	$I_{OH} = -100\mu A$	4.0			V
			"L" Level Output Voltage	V_{OL2}		$I_{OL} = 2mA$			0.8	V
			"H" Level Output Voltage	V_{OH3}	P $\bar{O}2 \sim P\bar{O}4$	$I_{OH} = +30\mu A$	12.0			V
		$V_{DD} = +5V$	"L" Level Output Voltage	V_{OL3}	P $\bar{O}6 \sim P\bar{O}8$	$I_{OL} = 2mA$			0.8	V
		$f_{OSC} = 1.3MHz$								
$R_{OSC} = 100k\Omega$										
$T_a = 25^{\circ}C$										
MNI 204E	NMOS Quadruple D/A Converter	$V_{DD} = -0.3 \sim +8V$	Supply Current	I_{DD}	$f_{OSC} = 1.3MHz$		5	10	mA	
		$V_I = -0.3 \sim +8V$	"H" Level Input Voltage	V_{IH}			2.4		V_{DD}	V
		$V_O = -0.3 \sim +15V$	"L" Level Input Voltage	V_{IL}			0		0.8	V
		$T_{opr} = -30 \sim +70^{\circ}C$	"H" Level Output Voltage	V_{OH1}	DAC1 ~ DAC4 Open drain	$I_{OH} = +30\mu A$	12.0			V
		$T_{stg} = -55 \sim +100^{\circ}C$	"L" Level Output Voltage	V_{OL1}		$I_{OL} = 2mA$			0.8	V
		Operating Condition	"H" Level Output Voltage	V_{OH2}	CP \bar{O}	$I_{OH} = -100\mu A$	4.0			V
			"L" Level Output Voltage	V_{OL2}		$I_{OL} = 2mA$			0.8	V
		$V_{DD} = +5V$	"H" Level Output Voltage	V_{OH3}	P $\bar{O}1 \sim P\bar{O}8$	$I_{OH} = +30\mu A$	12.0			V
		$f_{OSC} = 1.3MHz$	"L" Level Output Voltage	V_{OL3}	Open drain	$I_{OL} = 2mA$			0.8	V
		$R_{OSC} = 100k\Omega$								
$T_a = 25^{\circ}C$										

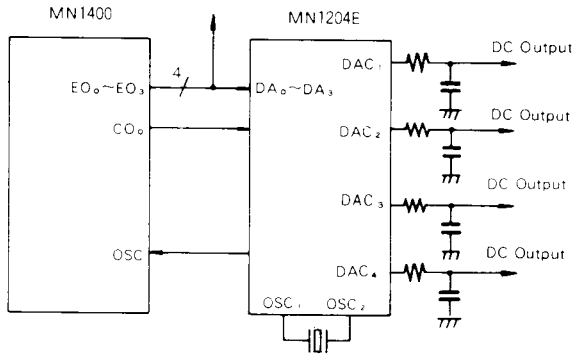
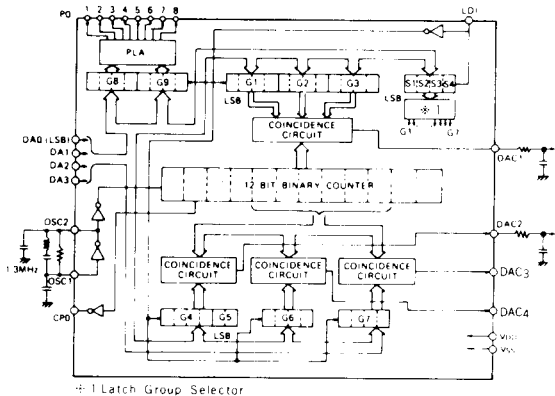
www.DataSheet4U.com

MN1204B (Package L-15,18-Lead Plastic DIL)



Note: Only LD1 requires exclusive control signal.

MN1204E (Package L-17,22-Lead Plastic DIL)



Note: Only LD1 requires exclusive control signal.