

DATA SHEET

For a complete data sheet, please also download:

- The IC04 LOCMOS HE4000B Logic Family Specifications HEF, HEC
- The IC04 LOCMOS HE4000B Logic Package Outlines/Information HEF, HEC

HEF4502B **buffers** Strobed hex inverter/buffer

Product specification
File under Integrated Circuits, IC04

January 1995

Strobed hex inverter/buffer

HEF4502B buffers

DESCRIPTION

The HEF4502B consists of six inverter/buffers with 3-state outputs. When the output enable input (\overline{EO}) is HIGH all six outputs (O_1 to O_6) are in the high impedance OFF-state. When the enable input (\overline{E}) is HIGH all six outputs are switched to LOW. The outputs have a 2-TTL load drive capability.

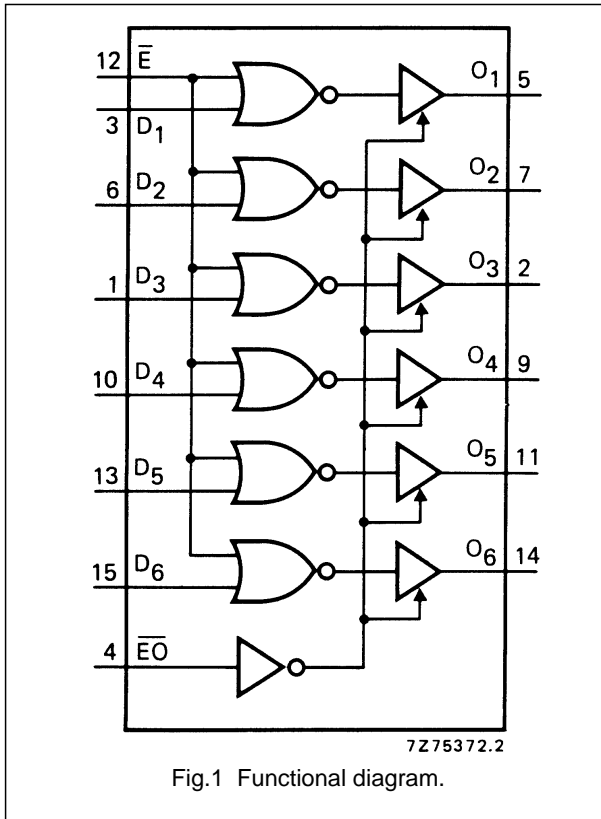


Fig.1 Functional diagram.

TRUTH TABLE

INPUTS			OUTPUT
D_n	\overline{E}	\overline{EO}	O_n
L	L	L	H
H	L	L	L
X	H	L	L
X	X	H	Z

Notes

- H = HIGH state (the more pos. voltage)
L = LOW state (the less pos. voltage)
X = state is immaterial
Z = high impedance off state

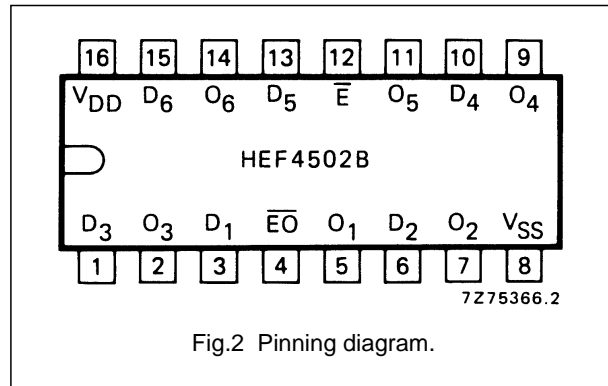


Fig.2 Pinning diagram.

HEF4502BP(N): 16-lead DIL; plastic (SOT38-1)
HEF4502BD(F): 16-lead DIL; ceramic (cerdip) (SOT74)
HEF4502BT(D): 16-lead SO; plastic (SOT109-1)
(): Package Designator North America

PINNING

D_1 to D_6 data inputs
 \overline{E} enable input
 \overline{EO} output enable input
 O_1 to O_6 3-state outputs

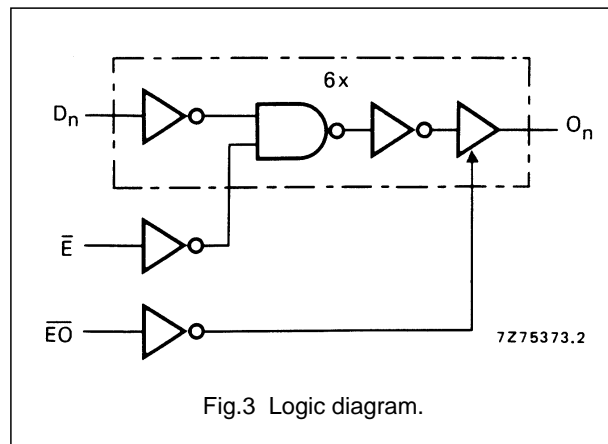


Fig.3 Logic diagram.

FAMILY DATA, I_{DD} LIMITS category BUFFERS

See Family Specifications

Strobed hex inverter/buffer

HEF4502B
buffers**DC CHARACTERISTICS** $V_{SS} = 0\text{ V}$

	V_{DD} V	V_{OH} V	V_{OL} V	SYMBOL	T_{amb} (°C)					
					-40		+ 25		+ 85	
					MIN.	MAX.	MIN.	MAX.	MIN.	MAX.
Output current HIGH	5	4,6		$-I_{OH}$	1,2		1,0		0,8	mA
	10	9,5			3,8		3,2		2,5	mA
	15	13,5			12,0		10,0		8,0	mA
Output current HIGH	5	2,5		$-I_{OH}$	3,8		3,2		2,5	mA
Output current LOW	4,75		0,4	I_{OL}	3,5		2,9		2,3	mA
	10		0,5		12,0		10,0		8,0	mA
	15		1,5		24,0		20,0		16,0	mA

AC CHARACTERISTICS $V_{SS} = 0\text{ V}$; $T_{amb} = 25\text{ °C}$; input transition times $\leq 20\text{ ns}$

	V_{DD} V	TYPICAL FORMULA FOR P (μW)	
Dynamic power dissipation per package (P)	5	$5\,000 f_i + \sum (f_o C_L) \times V_{DD}^2$	where f_i = input freq. (MHz) f_o = output freq. (MHz) C_L = load capacitance (pF) $\sum (f_o C_L)$ = sum of outputs V_{DD} = supply voltage (V)
	10	$25\,000 f_i + \sum (f_o C_L) \times V_{DD}^2$	
	15	$85\,000 f_i + \sum (f_o C_L) \times V_{DD}^2$	

Strobed hex inverter/buffer

HEF4502B
buffers**AC CHARACTERISTICS**

$V_{SS} = 0\text{ V}$; $T_{amb} = 25\text{ °C}$; $C_L = 50\text{ pF}$; input transition times $\leq 20\text{ ns}$

	V_{DD} V	SYMBOL	TYP.	MAX.	TYPICAL EXTRAPOLATION FORMULA	
Propagation delays $D_n, \bar{E} \rightarrow O_n$ HIGH to LOW	5	t_{PHL}	85	170 ns	$77\text{ ns} + (0,17\text{ ns/pF}) C_L$	
	10		40	80 ns	$37\text{ ns} + (0,06\text{ ns/pF}) C_L$	
	15		35	70 ns	$33\text{ ns} + (0,04\text{ ns/pF}) C_L$	
	LOW to HIGH	5	t_{PLH}	80	160 ns	$66\text{ ns} + (0,28\text{ ns/pF}) C_L$
		10		35	70 ns	$28\text{ ns} + (0,13\text{ ns/pF}) C_L$
		15		30	60 ns	$25\text{ ns} + (0,10\text{ ns/pF}) C_L$
Output transition times HIGH to LOW	5	t_{THL}	25	50 ns	$10\text{ ns} + (0,30\text{ ns/pF}) C_L$	
	10		12	24 ns	$7\text{ ns} + (0,11\text{ ns/pF}) C_L$	
	15		8	15 ns	$5\text{ ns} + (0,07\text{ ns/pF}) C_L$	
	LOW to HIGH	5	t_{TLH}	30	60 ns	$5\text{ ns} + (0,50\text{ ns/pF}) C_L$
		10		15	30 ns	$3\text{ ns} + (0,24\text{ ns/pF}) C_L$
		15		12	24 ns	$3\text{ ns} + (0,18\text{ ns/pF}) C_L$
3-state propagation delays Output disable times $\bar{E}O \rightarrow O_n$ HIGH	5	t_{PHZ}	60	160 ns		
	10		55	140 ns		
	15		55	140 ns		
	LOW	5	t_{PLZ}	50		100 ns
		10		35		70 ns
		15		30		60 ns
Output enable times $\bar{E}O \rightarrow O_n$ HIGH	5	t_{PZH}	60	120 ns		
	10		35	70 ns		
	15		30	60 ns		
	LOW	5	t_{PZL}	55	110 ns	
		10		25	50 ns	
		15		20	40 ns	