

# H<sub>C</sub>5

## **MC68HC705K1** HCMOS Microcontroller Unit

### **TECHNICAL DATA**



**For More Information On This Product,  
Go to: [www.freescale.com](http://www.freescale.com)**



**List of Sections**

**Section 1. General Description . . . . .15**

**Section 2. Memory . . . . .25**

**Section 3. Central Processor Unit (CPU) . . . . .31**

**Section 4. Interrupts . . . . .39**

**Section 5. Resets . . . . .51**

**Section 6. Low-Power Modes. . . . .57**

**Section 7. Parallel Input/Output (I/O). . . . .63**

**Section 8. Multifunction Timer. . . . .75**

**Section 9. EPROM/OTPROM . . . . .83**

**Section 10. Personality EPROM (PEPROM) . . . . .91**

**Section 11. Instruction Set . . . . .99**

**Section 12. Electrical Specifications. . . . .117**

**Section 13. Mechanical Specifications . . . . .133**

**Section 13. Ordering Information . . . . .137**



## Table of Contents

### Section 1. General Description

1.1	Contents . . . . .	15
1.2	Introduction . . . . .	15
1.3	Features . . . . .	16
1.4	Mask Options . . . . .	17
1.5	MCU Structure . . . . .	17
1.6	Pin Assignments . . . . .	19
1.6.1	$V_{DD}$ and $V_{SS}$ . . . . .	19
1.6.2	OSC1 and OSC2 . . . . .	20
1.6.2.1	Crystal . . . . .	20
1.6.2.2	Ceramic Resonator . . . . .	21
1.6.2.3	2-Pin RC Oscillator . . . . .	22
1.6.2.4	3-Pin RC Oscillator . . . . .	23
1.6.2.5	External Clock . . . . .	23
1.6.3	$\overline{RESET}$ . . . . .	24
1.6.4	$\overline{IRQ}/V_{PP}$ . . . . .	24
1.6.5	PA7–PA0 . . . . .	24
1.6.6	PB1/OSC3 and PB0 . . . . .	24

### Section 2. Memory

2.1	Contents . . . . .	25
2.2	Introduction . . . . .	25
2.3	Memory Map . . . . .	25
2.4	Input/Output Section . . . . .	26
2.5	Random-Access Memory (RAM) . . . . .	26

2.6 EPROM/OTPROM .....30  
 2.7 Personality EPROM/OTPROM.....30

**Section 3. Central Processor Unit (CPU)**

3.1 Contents .....31  
 3.2 Introduction .....31  
 3.3 CPU Registers .....32  
 3.3.1 Accumulator .....33  
 3.3.2 Index Register .....33  
 3.3.3 Stack Pointer .....34  
 3.3.4 Program Counter .....35  
 3.3.5 Condition Code Register .....36  
 3.4 Arithmetic/Logic Unit (ALU) .....37

**Section 4. Interrupts**

4.1 Contents .....39  
 4.2 Introduction .....39  
 4.3 Interrupt Types .....40  
 4.3.1 Software Interrupt .....40  
 4.3.2 External Interrupts .....40  
 4.3.2.1  $\overline{\text{IRQ}}/V_{PP}$  Pin .....41  
 4.3.2.2 PA3–PA0 Pins .....43  
 4.3.2.3 IRQ Status and Control Register .....45  
 4.3.3 Timer Interrupts .....46  
 4.3.3.1 Timer Overflow Interrupt .....46  
 4.3.3.2 Real-Time Interrupt .....46  
 4.4 Interrupt Processing .....47

**Section 5. Resets**

5.1 Contents .....51  
 5.2 Introduction .....51

5.3	Reset Types . . . . .	52
5.3.1	Power-On Reset . . . . .	52
5.3.2	External Reset . . . . .	52
5.3.3	Computer Operating Properly (COP) Reset . . . . .	54
5.3.4	Illegal Address Reset . . . . .	54
5.3.5	Low-Voltage Reset . . . . .	55
5.4	Reset States . . . . .	55
5.4.1	CPU . . . . .	55
5.4.2	I/O Port Registers . . . . .	56
5.4.3	Multifunction Timer . . . . .	56
5.4.4	COP Watchdog . . . . .	56

**Section 6. Low-Power Modes**

6.1	Contents . . . . .	57
6.2	Introduction . . . . .	57
6.3	Stop Mode . . . . .	57
6.4	Wait Mode . . . . .	58
6.5	Halt Mode . . . . .	59
6.6	Data-Retention Mode . . . . .	61

**Section 7. Parallel Input/Output (I/O)**

7.1	Contents . . . . .	63
7.2	Introduction . . . . .	63
7.3	I/O Port Function . . . . .	64
7.4	Port A . . . . .	64
7.4.1	Port A Data Register . . . . .	64
7.4.2	Data Direction Register A . . . . .	65
7.4.3	Pulldown Register A . . . . .	66
7.4.4	Port A External Interrupts . . . . .	67
7.4.5	Port A Logic . . . . .	67

7.5	Port B .....	68
7.5.1	Port B Data Register .....	68
7.5.2	Data Direction Register B .....	70
7.5.3	Pulldown Register B .....	70
7.5.4	Port B Logic .....	71

**Section 8. Multifunction Timer**

8.1	Contents .....	75
8.2	Introduction .....	75
8.3	Timer Status and Control Register .....	77
8.4	Timer Counter Register .....	79
8.5	COP Watchdog .....	80

**Section 9. EPROM/OTPROM**

9.1	Contents .....	83
9.2	Introduction .....	83
9.3	EPROM Programming Register .....	84
9.4	EPROM/OTPROM Programming .....	85
9.5	EPROM Erasing .....	87
9.6	Mask Option Register .....	87

**Section 10. Personality EPROM (PEPROM)**

10.1	Contents .....	91
10.2	Introduction .....	91
10.3	PEPROM Registers .....	93
10.3.1	PEPROM Bit Select Register .....	93
10.3.2	PEPROM Status and Control Register .....	95
10.4	PEPROM Programming .....	96
10.5	PEPROM Reading .....	96
10.6	PEPROM Erasing .....	97



**Section 11. Instruction Set**

11.1 Contents . . . . .99

11.2 Introduction . . . . .100

11.3 Addressing Modes . . . . .100

11.3.1 Inherent . . . . .101

11.3.2 Immediate . . . . .101

11.3.3 Direct . . . . .101

11.3.4 Extended . . . . .101

11.3.5 Indexed, No Offset . . . . .102

11.3.6 Indexed, 8-Bit Offset . . . . .102

11.3.7 Indexed, 16-Bit Offset . . . . .102

11.3.8 Relative . . . . .103

11.4 Instruction Types . . . . .103

11.4.1 Register/Memory Instructions . . . . .104

11.4.2 Read-Modify-Write Instructions . . . . .105

11.4.3 Jump/Branch Instructions . . . . .106

11.4.4 Bit Manipulation Instructions . . . . .108

11.4.5 Control Instructions . . . . .109

11.5 Instruction Set Summary . . . . .110

11.6 Opcode Map . . . . .115

**Section 12. Electrical Specifications**

12.1 Contents . . . . .117

12.2 Introduction . . . . .117

12.3 Maximum Ratings . . . . .118

12.4 Operating Temperature Range . . . . .118

12.5 Thermal Characteristics . . . . .119

12.6 Power Considerations . . . . .119

12.7 Equivalent Pin Loading . . . . .120

12.8 5.0-Volt DC Electrical Characteristics . . . . .121

12.9 3.3-Volt DC Electrical Characteristics . . . . .122  
12.10 5.0-Volt Control Timing . . . . .126  
12.11 3.3-Volt Control Timing . . . . .127  
12.12 Typical Oscillator Characteristics . . . . .130

**Section 13. Mechanical Specifications**

13.1 Contents . . . . .133  
13.2 Introduction . . . . .133  
13.3 Plastic Dual In-Line Package (Case 648) . . . . .134  
13.4 Small Outline Integrated Circuit (Case 751) . . . . .134  
13.5 Ceramic Dual In-Line Package (Case 620) . . . . .135

**Section 13. Ordering Information**

13.1 Contents . . . . .137  
13.2 Introduction . . . . .137  
13.3 MCU Order Numbers . . . . .137

## List of Figures

Figure	Title	Page
1-1	MC68HC705K1 Block Diagram . . . . .	18
1-2	Pin Assignments . . . . .	19
1-3	Bypassing Layout Recommendation . . . . .	19
1-4	Crystal Connections . . . . .	20
1-5	2-Pin Ceramic Resonator Connections . . . . .	21
1-6	3-Pin Ceramic Resonator Connections . . . . .	22
1-7	2-Pin RC Oscillator Connections . . . . .	22
1-8	3-Pin RC Oscillator Connections . . . . .	23
1-9	External Clock Connections . . . . .	24
2-1	Memory Map. . . . .	27
2-2	I/O Register Summary . . . . .	28
3-1	Programming Model . . . . .	32
3-2	Accumulator (A) . . . . .	33
3-3	Index Register (X) . . . . .	33
3-4	Stack Pointer (SP) . . . . .	34
3-5	Program Counter (PC) . . . . .	35
3-6	Condition Code Register (CCR) . . . . .	36
4-1	External Interrupt Logic . . . . .	42
4-2	IRQ Status and Control Register (ISCR) . . . . .	45
4-3	Interrupt Stacking Order . . . . .	47
4-4	Interrupt Flowchart . . . . .	49
5-1	Reset Sources . . . . .	53
5-2	COP Register (COPR) . . . . .	54
6-1	Stop/Wait/Halt Flowchart . . . . .	60

List of Figures

Figure	Title	Page
7-1	Port A Data Register (PORTA) . . . . .	64
7-2	Data Direction Register A (DDRA) . . . . .	65
7-3	Pulldown Register A (PDRA) . . . . .	66
7-4	Port A I/O Circuit. . . . .	67
7-5	Port B Data Register (PORTB) . . . . .	69
7-6	Data Direction Register B (DDRB) . . . . .	70
7-7	Pulldown Register B (PDRB) . . . . .	71
7-8	Port B I/O Circuit. . . . .	72
8-1	Multifunction Timer Block Diagram . . . . .	76
8-2	Timer Status and Control Register (TSCR) . . . . .	77
8-3	Timer Counter Register (TCNTR) . . . . .	79
8-4	COP Register (COPR) . . . . .	80
9-1	EPROM Programming Register (EPROG) . . . . .	84
9-2	Programming Circuit. . . . .	86
9-3	Mask Option Register (MOR) . . . . .	87
10-1	Personality EPROM . . . . .	92
10-2	PEPROM Bit Select Register (PEBSR) . . . . .	93
10-3	PEPROM Status and Control Register (PESCR) . . . . .	95
12-1	Equivalent Test Load . . . . .	120
12-2	Typical High-Side Driver Characteristics . . . . .	123
12-3	Typical Low-Side Driver Characteristics . . . . .	123
12-4	Run I <sub>DD</sub> versus Internal Clock Frequency . . . . .	124
12-5	Wait I <sub>DD</sub> versus Internal Clock Frequency . . . . .	124
12-6	Stop I <sub>DD</sub> versus Temperature . . . . .	125
12-7	External Interrupt Timing . . . . .	128
12-8	Stop Mode Recovery Timing . . . . .	128
12-9	Power-On Reset Timing . . . . .	129
12-10	External Reset Timing . . . . .	129
12-11	2-Pin RC Oscillator R versus Frequency (V <sub>DD</sub> = 5.0 V) . . . . .	131
12-12	3-Pin RC Oscillator R versus Frequency (V <sub>DD</sub> = 5.0 V) . . . . .	131
12-13	2-Pin Oscillator R versus Frequency (V <sub>DD</sub> = 3.0 V) . . . . .	132
12-14	3-Pin Oscillator R versus Frequency (V <sub>DD</sub> = 3.0 V) . . . . .	132

## List of Tables

<b>Table</b>	<b>Title</b>	<b>Page</b>
4-1	Reset/Interrupt Vector Addresses . . . . .	48
7-1	Port A Pin Functions . . . . .	68
7-2	PB0 Pin Functions . . . . .	73
7-3	PB1/OSC3 Pin Functions . . . . .	74
8-1	Real-Time Interrupt Rate Selection . . . . .	78
8-2	COP Watchdog Recommendations . . . . .	81
10-1	PEPROM Bit Selection . . . . .	94
11-1	Register/Memory Instructions . . . . .	104
11-2	Read-Modify-Write Instructions . . . . .	105
11-3	Jump and Branch Instructions . . . . .	107
11-4	Bit Manipulation Instructions . . . . .	108
11-5	Control Instructions . . . . .	109
11-6	Instruction Set Summary . . . . .	110
11-7	Opcode Map . . . . .	116
13-1	MC68HC705K1 Order Numbers . . . . .	137



## Section 1. General Description

### 1.1 Contents

1.2	Introduction . . . . .	15
1.3	Features . . . . .	16
1.4	Mask Options . . . . .	17
1.5	MCU Structure . . . . .	17
1.6	Pin Assignments . . . . .	19
1.6.1	$V_{DD}$ and $V_{SS}$ . . . . .	19
1.6.2	OSC1 and OSC2 . . . . .	20
1.6.2.1	Crystal . . . . .	20
1.6.2.2	Ceramic Resonator . . . . .	21
1.6.2.3	2-Pin RC Oscillator . . . . .	22
1.6.2.4	3-Pin RC Oscillator . . . . .	23
1.6.2.5	External Clock . . . . .	23
1.6.3	$\overline{RESET}$ . . . . .	24
1.6.4	$\overline{IRQ}/V_{PP}$ . . . . .	24
1.6.5	PA7–PA0 . . . . .	24
1.6.6	PB1/OSC3 and PB0 . . . . .	24

### 1.2 Introduction

The MC68HC705K1 is a member of the low-cost, high-performance M68HC05 Family of 8-bit microcontroller units (MCU). The M68HC05 Family is based on the customer-specified integrated circuit (CSIC) design strategy. All MCUs in the family use the popular M68HC05 central processor unit (CPU) and are available with a variety of subsystems, memory sizes and types, and package types.

On-chip memory of the MC68HC705K1 includes 504 bytes of erasable, programmable read-only memory (EPROM). In packages without the transparent window for EPROM erasure, the 504 EPROM bytes serve as one-time programmable read-only memory (OTPROM).

### 1.3 Features

Features of the MCU include:

- Popular M68HC05 CPU
- Memory-mapped input/output (I/O) registers
- 504 bytes of EPROM/OTPROM, including eight user vector locations
- 32 bytes of user random-access memory (RAM)
- 64-bit personality EPROM
- 10 bidirectional I/O pins with these features:
  - Software programmable pulldown devices
  - Four I/O pins with 8-mA current sinking capability
  - Four I/O pins with maskable external interrupt capability
- Hardware mask and flag for external interrupts
- Fully static operation with no minimum clock speed
- On-chip oscillator with connections for:
  - Crystal or ceramic resonator
  - Mask-optional 2-pin or 3-pin resistor-capacitor (RC) oscillator
- Computer operating properly (COP) watchdog
- 15-bit multifunction timer with real-time interrupt circuit
- Power-saving stop, wait, halt, and data-retention modes
- 8 × 8 unsigned multiply instruction
- Illegal address reset
- Low-voltage reset



- 16-pin plastic dual in-line package (PDIP)
- 16-pin small outline integrated circuit package (SOIC)
- 16-pin ceramic DIP (cerdip)

## 1.4 Mask Options

These MC68HC705K1 options are programmable in the mask option register (MOR):

- Enabled or disabled COP watchdog
- Edge-triggered or edge- and level-triggered external interrupt pins
- Enabled or disabled port A external interrupt function
- Enabled or disabled low-voltage reset function
- Enabled or disabled STOP instruction
- Oscillator driven by crystal or ceramic resonator or oscillator driven by RC circuit
- 2-pin RC-driven oscillator or 3-pin RC-driven oscillator
- Enabled or disabled port A and port B programmable pulldown devices

The mask option register is an EPROM/OTPROM byte at location \$0017. [Section 9. EPROM/OTPROM](#) describes the mask option register and the EPROM/OTPROM programming procedure.

## 1.5 MCU Structure

[Figure 1-1](#) shows the structure of the MC68HC705K1 MCU.

General Description

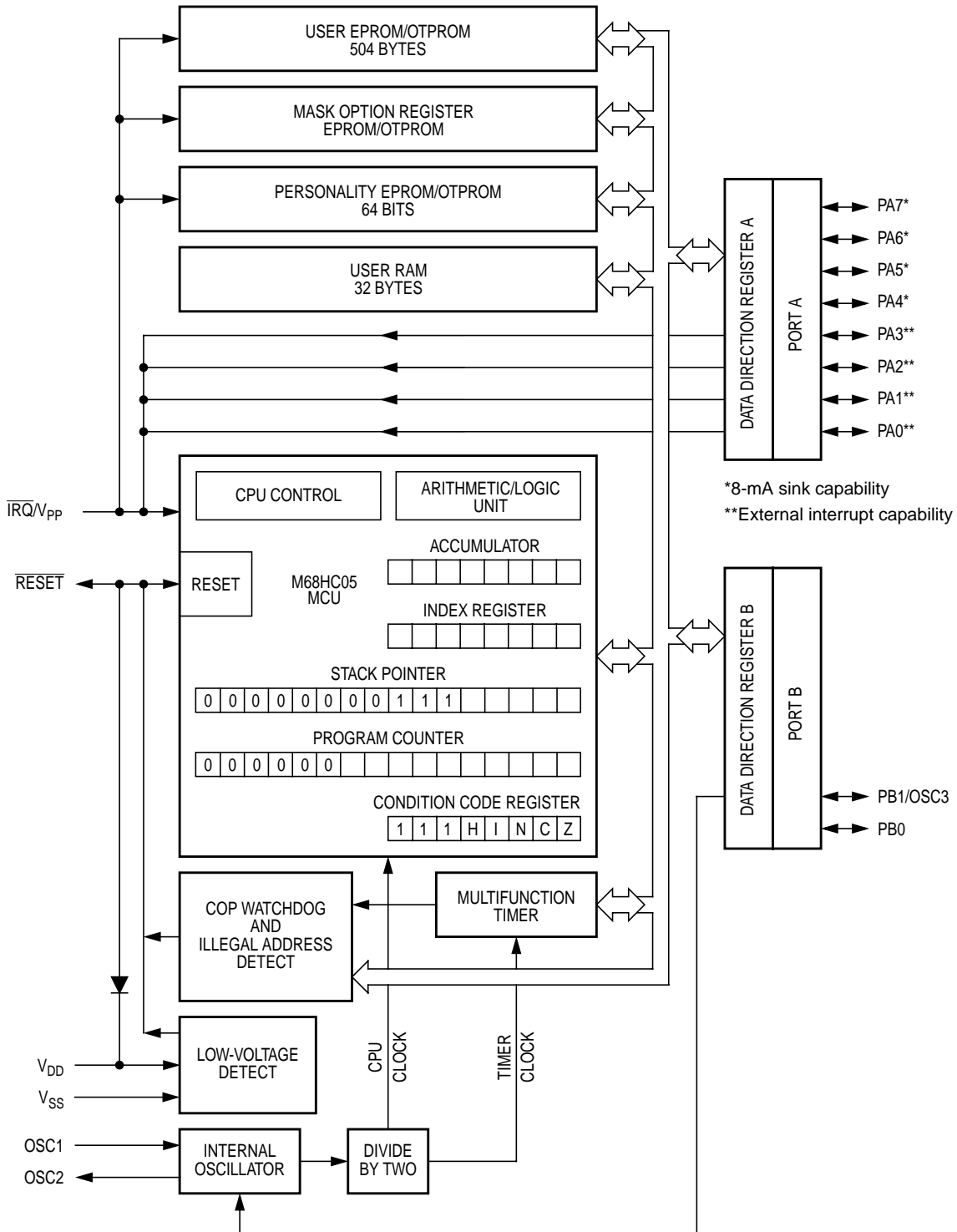


Figure 1-1. MC68HC705K1 Block Diagram

## 1.6 Pin Assignments

Figure 1-2 shows the MC68HC705K1 pin assignments.

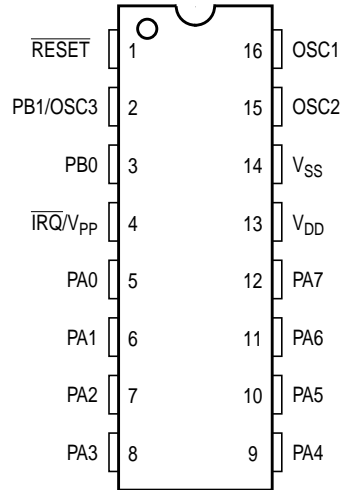


Figure 1-2. Pin Assignments

### 1.6.1 V<sub>DD</sub> and V<sub>SS</sub>

V<sub>DD</sub> and V<sub>SS</sub> are the power supply and ground pins. The MCU operates from a single 5-volt power supply.

Very fast signal transitions occur on the MCU pins, placing high short-duration current demands on the power supply. To prevent noise problems, take special care to provide good power supply bypassing at the MCU. Place bypass capacitors as close to the MCU as possible, as Figure 1-3 shows.

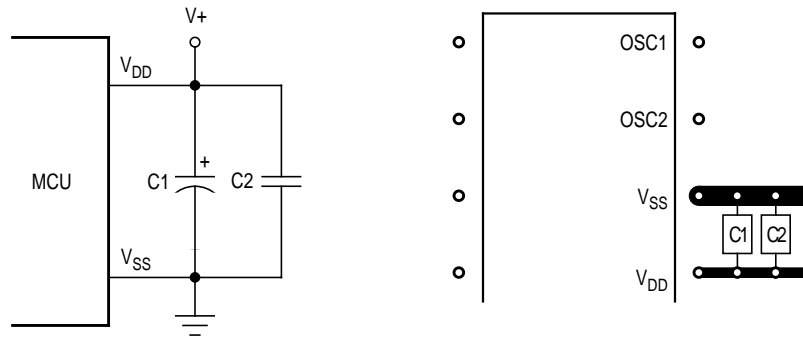


Figure 1-3. Bypassing Layout Recommendation

General Description

1.6.2 OSC1 and OSC2

The OSC1, OSC2, and PB1/OSC3 pins are the control connections for the 2-pin or 3-pin on-chip oscillator. The oscillator can be driven by any of these:

- Crystal
- Ceramic resonator
- Resistor-capacitor network
- External clock signal

The frequency of the internal oscillator is  $f_{OSC}$ . The MCU divides the internal oscillator output by two to produce the internal clock with a frequency of  $f_{OP}$ .

1.6.2.1 Crystal

The circuit in **Figure 1-4** shows a typical crystal oscillator circuit for an AT-cut, parallel resonant crystal. Follow the crystal supplier's recommendations, as the crystal parameters determine the external component values required to provide reliable start-up and maximum stability. The load capacitance values used in the oscillator circuit design should include all stray layout capacitances. To minimize output distortion, mount the crystal and capacitors as close as possible to the pins.

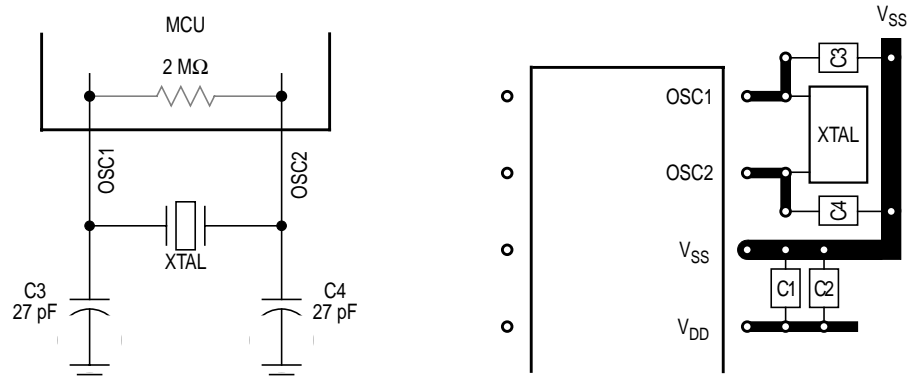


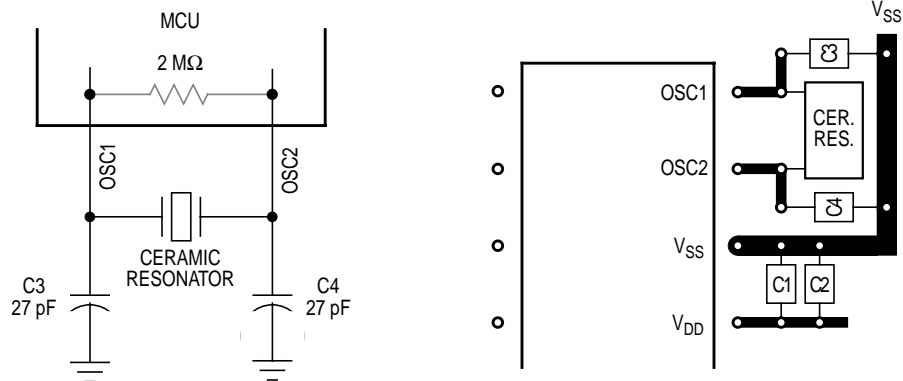
Figure 1-4. Crystal Connections

**NOTE:** Use an AT-cut crystal and not a strip or tuning fork crystal. The MCU may overdrive or have the wrong characteristic impedance for a strip or tuning fork crystal.

To use the crystal-driven oscillator, the RC and PIN3 bits in the mask option register must be clear. See **9.6 Mask Option Register**. Clearing the RC bit connects an internal 2-M $\Omega$  startup resistor between OSC1 and OSC2.

### 1.6.2.2 Ceramic Resonator

To reduce cost, use a ceramic resonator in place of the crystal. Use the circuit in **Figure 1-5** for a 2-pin ceramic resonator or **Figure 1-6** for a 3-pin ceramic resonator, and follow the resonator manufacturer's recommendations. The resonator parameters determine the external component values required for maximum stability and reliable starting. The load capacitance values used in the oscillator circuit design should include all stray layout capacitances. To minimize output distortion, mount the resonator and capacitors as close as possible to the pins.



**Figure 1-5. 2-Pin Ceramic Resonator Connections**

General Description

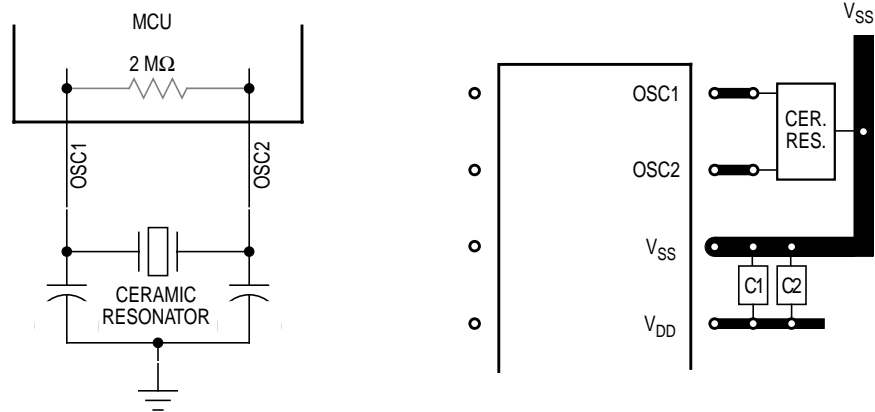


Figure 1-6. 3-Pin Ceramic Resonator Connections

To use the resonator-driven oscillator, the RC bit in the mask option register must be clear. See [9.6 Mask Option Register](#). Clearing the RC bit connects an internal 2-MΩ startup resistor between OSC1 and OSC2.

1.6.2.3 2-Pin RC Oscillator

For maximum cost reduction, use the 2-pin RC oscillator configuration shown in [Figure 1-7](#). The OSC2 signal is a square wave, and the signal on OSC1 is a triangular wave. The optimum frequency for the 2-pin oscillator configuration is 2 MHz.

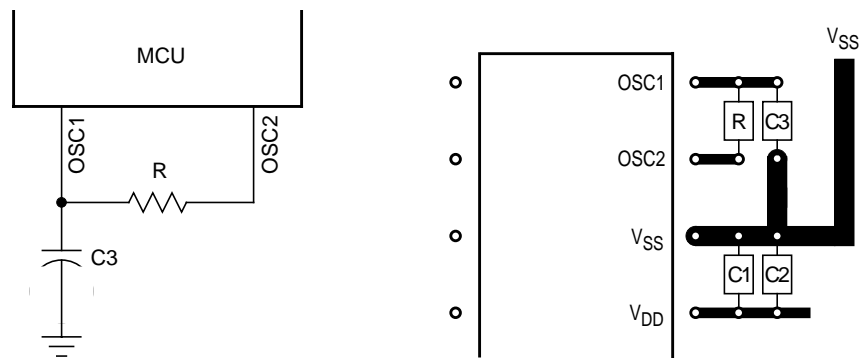


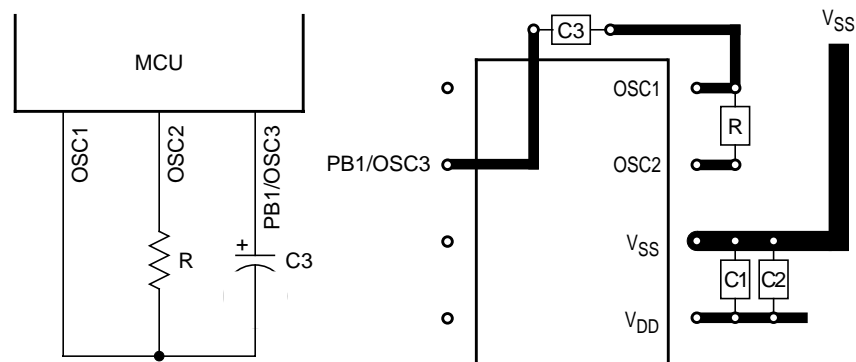
Figure 1-7. 2-Pin RC Oscillator Connections

To use the 2-pin RC oscillator configuration, the RC bit in the mask option register must be programmed to a logic 1. Setting the RC bit

disconnects the internal startup resistor. The PIN3 bit in the mask option register must remain erased (logic 0). The PIN3 bit selects the 3-pin RC oscillator configuration. See [9.6 Mask Option Register](#).

#### 1.6.2.4 3-Pin RC Oscillator

Another low-cost option is the 3-pin RC oscillator configuration shown in [Figure 1-8](#). The 3-pin oscillator is more stable than the 2-pin oscillator. The OSC2 and PB1/OSC3 signals are square waves, and the signal on OSC1 is a triangular wave. The 3-pin RC oscillator configuration is recommended for frequencies of 1 MHz and less.



**Figure 1-8. 3-Pin RC Oscillator Connections**

To use the 3-pin RC oscillator configuration, both the RC and PIN3 bits in the mask option register must be programmed to logic 1s. See [9.6 Mask Option Register](#).

**NOTE:** *In 3-pin RC oscillator configurations, the personality EPROM (PEPROM) cannot be programmed by user software. If the voltage on  $\overline{IRQ}/V_{PP}$  is raised above  $V_{DD}$ , the oscillator will revert to a 2-pin oscillator configuration and device operation will be disrupted.*

#### 1.6.2.5 External Clock

An external clock from another CMOS-compatible device can drive the OSC1 input, with the OSC2 pin unconnected, as [Figure 1-9](#) shows.

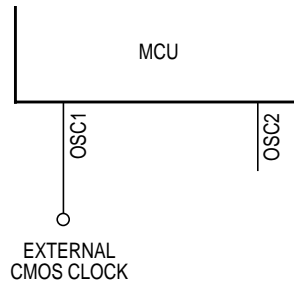


Figure 1-9. External Clock Connections

### 1.6.3 $\overline{\text{RESET}}$

A logic 0 on the  $\overline{\text{RESET}}$  pin forces the MCU to a known startup state. See [5.3.2 External Reset](#) for more information.

### 1.6.4 $\overline{\text{IRQ}}/V_{\text{PP}}$

The  $\overline{\text{IRQ}}/V_{\text{PP}}$  pin has these functions:

- Applying asynchronous external interrupt signals, see [4.3.2 External Interrupts](#)
- Applying the EPROM/OTPROM programming voltage, see [9.4 EPROM/OTPROM Programming](#)

### 1.6.5 PA7–PA0

PA7–PA0 are the pins of port A, a general-purpose, bidirectional I/O port. See [7.4 Port A](#).

### 1.6.6 PB1/OSC3 and PB0

PB1/OSC3 and PB0 are the pins of port B, a general-purpose, bidirectional I/O port. See [7.5 Port B](#).



## Section 2. Memory

### 2.1 Contents

2.2	Introduction . . . . .	25
2.3	Memory Map . . . . .	25
2.4	Input/Output Section . . . . .	26
2.5	Random-Access Memory (RAM) . . . . .	26
2.6	EPROM/OTPROM . . . . .	30
2.7	Personality EPROM/OTPROM . . . . .	30

### 2.2 Introduction

This section describes the organization of the on-chip memory.

### 2.3 Memory Map

The central processor unit (CPU) can address 1 Kbyte of memory space. The program counter typically advances one address at a time through the memory, reading the program instructions and data. The erasable, programmable read-only memory (EPROM) portion of memory holds the program instructions, fixed data, user-defined vectors, and interrupt service routines. The random-access memory (RAM) portion of memory holds variable data. Input/output (I/O) registers are memory-mapped so that the CPU can access their locations in the same way that it accesses all other memory locations.

**Figure 2-1** is a memory map of the microcontroller unit (MCU). Refer to **Figure 2-2** for a more detailed memory map of the 32-byte I/O register section.

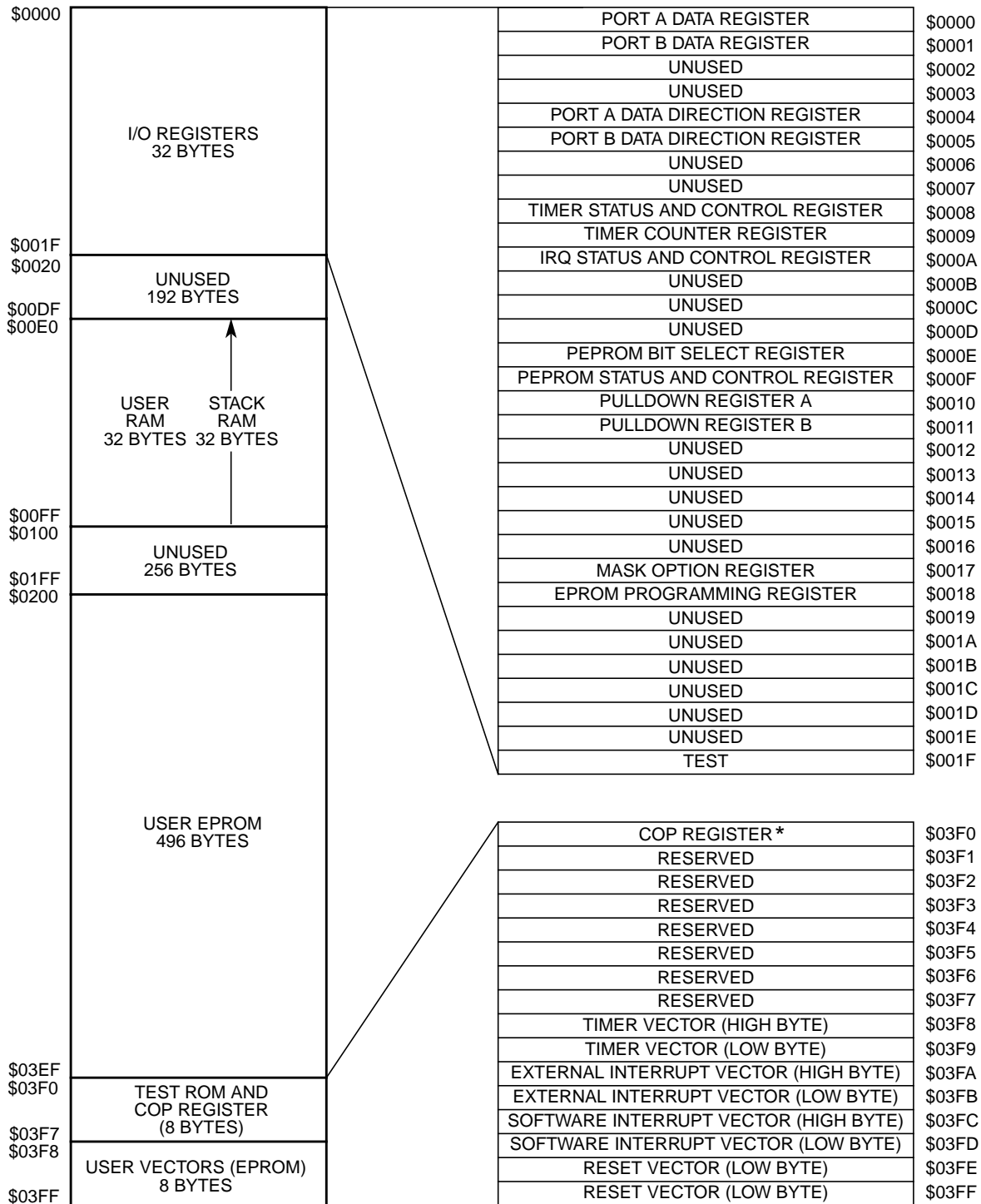
## 2.4 Input/Output Section

The first 32 addresses of the memory space, \$0001–\$001F, are the I/O section. These are the addresses of the I/O control registers, status registers, and data registers. See [Figure 2-2](#).

## 2.5 Random-Access Memory (RAM)

The 32 addresses from \$00E0 to \$00FF serve as both the user RAM and the stack RAM. The CPU uses five RAM bytes to save all CPU register contents before processing an interrupt. During a subroutine call, the CPU uses two bytes to store the return address. The stack pointer decrements during pushes and increments during pulls.

**NOTE:** *Be careful when using nested subroutines or multiple interrupt levels. The CPU may overwrite data in the RAM during a subroutine or during the interrupt stacking operation.*



\*Writing to bit 0 of \$03F0 clears the COP watchdog.  
Reading \$03F0 returns ROM data.

Figure 2-1. Memory Map

Memory

Addr.	Register Name	Bit 7	6	5	4	3	2	1	Bit 0	
\$0000	Port A Data Register (PORTA) <a href="#">See page 64.</a>	Read:	PA7	PA6	PA5	PA4	PA3	PA2	PA1	PA0
		Write:								
		Reset:	Unaffected by reset							
\$0001	Port B Data Register (PORTB) <a href="#">See page 69.</a>	Read:	0	0	0	0	0	0	PB1/ OSC3	PB0
		Write:								
		Reset:	Unaffected by reset							
\$0002	Unimplemented									
\$0003	Unimplemented									
\$0004	Data Direction Register A (DDRA) <a href="#">See page 65.</a>	Read:	DDRA7	DDRA6	DDRA5	DDRA4	DDRA3	DDRA2	DDRA1	DDRA0
		Write:								
		Reset:	0	0	0	0	0	0	0	0
\$0005	Data Direction Register B (DDRB) <a href="#">See page 70.</a>	Read:	0	0	0	0	0	0	DDRB1	DDRB0
		Write:								
		Reset:	0	0	0	0	0	0	0	0
\$0006	Unimplemented									
\$0007	Unimplemented									
\$0008	Timer Status and Control Register (TSCR) <a href="#">See page 77.</a>	Read:	TOF	RTIF	TOIE	RTIE			RT1	RT0
		Write:					TOFR	RTIFR		
		Reset:	0	0	0	0	U	U	1	1
\$0009	Timer Counter Register (TCNTR) <a href="#">See page 79.</a>	Read:	Bit 7	Bit 6	Bit 5	Bit 4	Bit 3	Bit 2	Bit 1	Bit 0
		Write:								
		Reset:	0	0	0	0	0	0	0	0
\$000A	IRQ Status and Control Register (ISCR) <a href="#">See page 45.</a>	Read:	IRQE	0	0	0	IRQF	0		0
		Write:							IRQR	
		Reset:	1	0	0	0	0	0	U	0

= Unimplemented    
  R = Reserved    
 U = Unaffected

Figure 2-2. I/O Register Summary (Sheet 1 of 3)

# Freescale Semiconductor, Inc.

Memory  
Random-Access Memory (RAM)

Addr.	Register Name	Bit 7	6	5	4	3	2	1	Bit 0	
\$000B	Unimplemented									
↓										
\$000D	Unimplemented									
\$000E	PEPROM Bit Select Register (PEBSR) <a href="#">See page 93.</a>	Read:	PEB7	PEB6	PEB5	PEB4	PEB3	PEB2	PEB1	PEB0
		Write:								
		Reset:	0	0	0	0	0	0	0	0
\$000F	PEPROM Status and Control Register (PESCR) <a href="#">See page 95.</a>	Read:	PEDATA	0	PEPGM	0	0	0	0	PEPRZF
		Write:								
		Reset:	U	0	0	0	0	0	0	1
\$0010	Pulldown Register A (PDRA) <a href="#">See page 66.</a>	Read:								
		Write:	PDIA7	PDIA6	PDIA5	PDIA4	PDIA3	PDIA2	PDIA1	PDIA0
		Reset:	0	0	0	0	0	0	0	0
\$0011	Pulldown Register B (PDRB) <a href="#">See page 71.</a>	Read:								
		Write:	0	0	0	0	0	0	PDIB1	PDIB0
		Reset:	0	0	0	0	0	0	0	0
\$0012	Unimplemented									
↓										
\$0016	Unimplemented									
\$0017	Mask Option Register (MOR) <a href="#">See page 87.</a>	Read:	SWPDI	PIN3	RC	SWAIT	LVRE	PIRQ	LEVEL	COPEN
		Write:								
		Reset:	Unaffected by reset							
\$0018	EPROM Programming Register (EPROG) <a href="#">See page 84.</a>	Read:	R	R	R	R	R	ELAT	MPGM	EPGM
		Write:								
		Reset:	U	U	U	U	U	0	0	0

= Unimplemented    
  R = Reserved    
 U = Unaffected

Figure 2-2. I/O Register Summary (Sheet 2 of 3)

Memory

Addr.	Register Name	Bit 7	6	5	4	3	2	1	Bit 0
\$0019	Unimplemented								
↓									
\$001E	Unimplemented								
\$001F	Test Register	Read:						LVRF	
		Write:							
		Reset:	U	U	U	U	U	U	0
↓									
\$03F0	COP Register (COPR) <a href="#">See page 54.</a>	Read:							
		Write:							COPC
		Reset:	U	U	U	U	U	U	U

= Unimplemented    
  R = Reserved    
 U = Unaffected

Figure 2-2. I/O Register Summary (Sheet 3 of 3)

## 2.6 EPROM/OTPROM

An MCU with a quartz window has 504 bytes of erasable, programmable ROM (EPROM). The quartz window allows EPROM erasure with ultraviolet light. In an MCU without the quartz window, the EPROM cannot be erased and serves as 504 bytes of one-time programmable ROM (OTPROM). Addresses \$0020–\$03EF contain 496 bytes of user EPROM/OTPROM. The eight addresses from \$03F8 to \$03FF are EPROM/OTPROM locations reserved for interrupt vectors and reset vectors.

## 2.7 Personality EPROM/OTPROM

An MCU with a quartz window has a 64-bit array of erasable, programmable ROM (EPROM) to serve as a personality EPROM. The quartz window allows EPROM erasure with ultraviolet light. In an MCU without the quartz window, the personality EPROM cannot be erased and serves as a 64-bit array of OTPROM.

## **Section 3. Central Processor Unit (CPU)**

### **3.1 Contents**

3.2	Introduction .....	31
3.3	CPU Registers .....	32
3.3.1	Accumulator .....	33
3.3.2	Index Register .....	33
3.3.3	Stack Pointer .....	34
3.3.4	Program Counter .....	35
3.3.5	Condition Code Register .....	36
3.4	Arithmetic/Logic Unit (ALU) .....	37

### **3.2 Introduction**

This section describes the central processor unit (CPU) registers.

Central Processor Unit (CPU)

3.3 CPU Registers

Figure 3-1 shows the five CPU registers. CPU registers and are not part of the memory map.

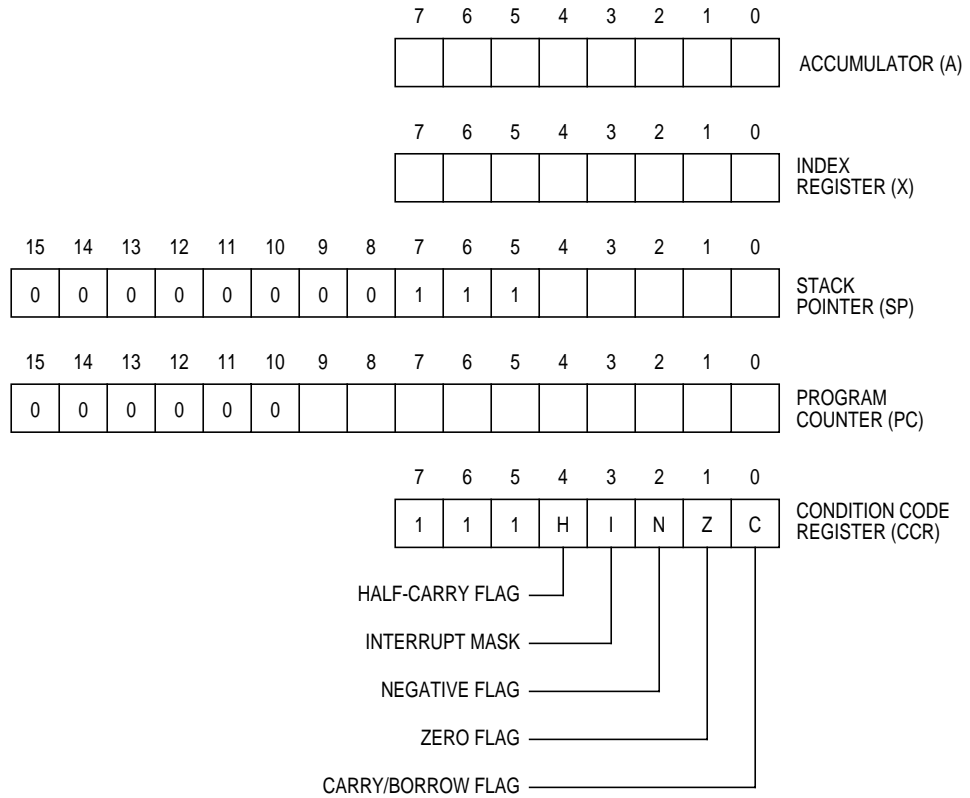
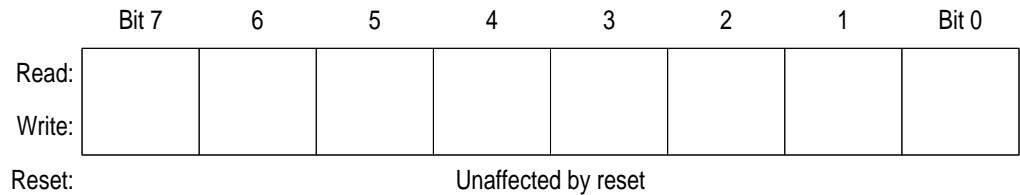


Figure 3-1. Programming Model



### 3.3.1 Accumulator

The accumulator (A) shown in **Figure 3-2** is a general-purpose 8-bit register. The CPU uses the accumulator to hold operands and results of arithmetic and non-arithmetic operations.



**Figure 3-2. Accumulator (A)**

### 3.3.2 Index Register

In the indexed addressing modes, the CPU uses the byte in the index register (X) shown in **Figure 3-3** to determine the conditional address of the operand. See **11.3.5 Indexed, No Offset**, **11.3.6 Indexed, 8-Bit Offset**, and **11.3.7 Indexed, 16-Bit Offset** for more information on indexed addressing.

The 8-bit index register also can serve as a temporary data storage location.



**Figure 3-3. Index Register (X)**

Central Processor Unit (CPU)

3.3.3 Stack Pointer

The stack pointer (SP) shown in **Figure 3-4** is a 16-bit register that contains the address of the next free location on the stack. During a reset or after the reset stack pointer (RSP) instruction, the stack pointer initializes to \$00FF. The address in the stack pointer decrements as data is pushed onto the stack and increments as data is pulled from the stack.

The 11 most significant bits of the stack pointer are fixed permanently at 00000000111, so the stack pointer produces addresses from \$00E0 to \$00FF. If subroutines and interrupts use more than 32 stack locations, the stack pointer wraps around to address \$00FF and begins writing over the previously stored data. A subroutine uses two stack locations. An interrupt uses five locations.

	Bit 15	14	13	12	11	10	9	8	7	6	5	4	3	2	1	Bit 0
Read:	0	0	0	0	0	0	0	0	1	1	1					
Write:																
Reset:	0	0	0	0	0	0	0	0	1	1	1	1	1	1	1	1


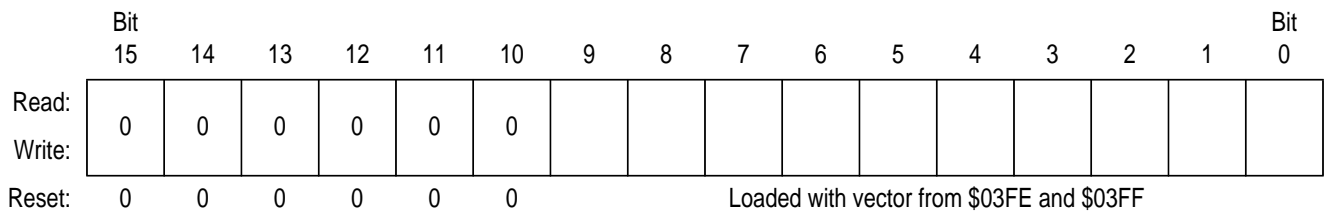
 = Unimplemented

Figure 3-4. Stack Pointer (SP)

## 3.3.4 Program Counter

The program counter (PC) shown in **Figure 3-5** is a 16-bit register that contains the address of the next instruction or operand to be fetched. The six most significant bits of the program counter are ignored internally and appear as 000000.

Normally, the address in the program counter automatically increments to the next sequential memory location every time an instruction or operand is fetched. Jump, branch, and interrupt operations load the program counter with an address other than that of the next sequential location.

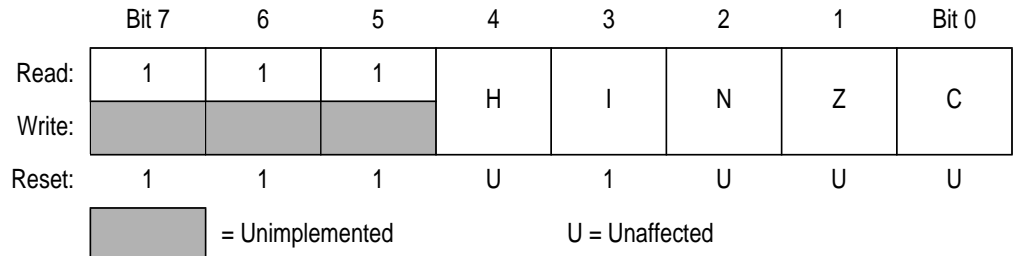


**Figure 3-5. Program Counter (PC)**

Central Processor Unit (CPU)

3.3.5 Condition Code Register

The condition code register (CCR) shown in **Figure 3-6** is an 8-bit register whose three most significant bits are permanently fixed at 111. The condition code register contains the interrupt mask and four flags that indicate the results of prior instructions.



**Figure 3-6. Condition Code Register (CCR)**

H — Half-Carry Flag

The CPU sets the half-carry flag when a carry occurs between bits 3 and 4 of the accumulator during an add without carry (ADD) or add with carry (ADC) operation. The half-carry bit is required for binary-coded decimal (BCD) arithmetic operations. Reset has no affect on the half-carry flag.

I — Interrupt Mask Flag

Setting the interrupt mask (I) disables interrupts. If an interrupt request occurs while the interrupt mask is a logic 0, the CPU saves the CPU registers on the stack, sets the interrupt mask, and then fetches the interrupt vector. If an interrupt request occurs while the interrupt mask is set, the interrupt request is latched. The CPU processes the latched interrupt as soon as the interrupt mask is cleared again.

A return-from-interrupt (RTI) instruction pulls the CPU registers from the stack, restoring the interrupt mask to its cleared state. After a reset, the interrupt mask is set and can be cleared only by a clear interrupt mask bit (CLI), STOP, or WAIT instruction.

## N — Negative Flag

The CPU sets the negative flag when an arithmetic operation, logical operation, or data manipulation produces a negative result (bit 7 in the results is a logic 1). Reset has no effect on the negative flag.

## Z — Zero Flag

The CPU sets the zero flag when an arithmetic operation, logical operation, or data manipulation produces a result of \$00. Reset has no effect on the zero flag.

## C — Carry/Borrow Flag

The CPU sets the carry/borrow flag when an addition operation produces a carry out of bit 7 of the accumulator or when a subtraction operation requires a borrow. Some logical operations and data manipulation instructions also clear or set the carry/borrow bit. Reset has no effect on the carry/borrow flag.

### 3.4 Arithmetic/Logic Unit (ALU)

The arithmetic/logic unit (ALU) performs the arithmetic and logical operations defined by the instruction set. The binary arithmetic circuits decode instructions and set up the ALU for the selected operation. Most binary arithmetic is based on the addition algorithm, carrying out subtraction as negative addition. Multiplication is not performed as a discrete operation but as a chain of addition and shift operations within the ALU. The multiply instruction requires 11 internal clock cycles to complete this chain of operations.



## Section 4. Interrupts

### 4.1 Contents

4.2	Introduction . . . . .	39
4.3	Interrupt Types . . . . .	40
4.3.1	Software Interrupt . . . . .	40
4.3.2	External Interrupts . . . . .	40
4.3.2.1	$\overline{\text{IRQ}}/\text{V}_{\text{PP}}$ Pin . . . . .	41
4.3.2.2	PA3–PA0 Pins . . . . .	43
4.3.2.3	IRQ Status and Control Register . . . . .	45
4.3.3	Timer Interrupts . . . . .	46
4.3.3.1	Timer Overflow Interrupt . . . . .	46
4.3.3.2	Real-Time Interrupt . . . . .	46
4.4	Interrupt Processing . . . . .	47

### 4.2 Introduction

This section describes how interrupts temporarily change the normal processing sequence.

### 4.3 Interrupt Types

These conditions generate interrupts:

- SWI instruction (software interrupt)
- A logic 0 applied to the  $\overline{\text{IRQ}}/\text{V}_{\text{PP}}$  pin (external interrupt)
- A logic 1 applied to one of the PA3–PA0 pins when port A external interrupts are enabled (external interrupt)
- A timer overflow (timer interrupt)
- Expiration of the real-time interrupt period (timer interrupt)

An interrupt temporarily stops normal program execution to process a particular event. An interrupt does not stop the execution of the instruction in progress, but takes effect when the current instruction completes its execution. Interrupt processing automatically saves the central processor unit (CPU) registers on the stack and loads the program counter with a user-defined vector address.

#### 4.3.1 Software Interrupt

The software interrupt (SWI) instruction causes a non-maskable interrupt.

#### 4.3.2 External Interrupts

These sources can generate external interrupts:

- $\overline{\text{IRQ}}/\text{V}_{\text{PP}}$  pin
- PA3–PA0 pins when port A external interrupts are enabled

Setting the I bit in the condition code register or clearing the IRQE bit in the interrupt status and control register disables external interrupts.



#### 4.3.2.1 $\overline{\text{IRQ}}/\text{V}_{\text{PP}}$ Pin

An interrupt signal on the  $\overline{\text{IRQ}}/\text{V}_{\text{PP}}$  pin latches an external interrupt request. After completing the current instruction, the CPU tests these bits:

- IRQ latch
- IRQE bit in the interrupt status and control register
- I bit in the condition code register

If both the IRQ latch and the IRQE bit are set, and the I bit is clear, the CPU then begins the interrupt sequence. The CPU clears the IRQ latch while it fetches the interrupt vector, so that another external interrupt request can be latched during the interrupt service routine. As soon as the I bit is cleared during the return from interrupt, the CPU can recognize the new interrupt request. [Figure 4-1](#) shows the logic for external interrupts.

The  $\overline{\text{IRQ}}/\text{V}_{\text{PP}}$  pin is negative edge-triggered only or negative edge- and low-level-triggered, depending on the state of the LEVEL bit in the mask option register (MOR). See [9.6 Mask Option Register](#).

Programming the LEVEL bit to a logic 1 selects the edge- and level-sensitive trigger option. When LEVEL = 1:

- A falling edge or a low level on the  $\overline{\text{IRQ}}/\text{V}_{\text{PP}}$  pin latches an external interrupt request.
- As long as the  $\overline{\text{IRQ}}/\text{V}_{\text{PP}}$  is low, an external interrupt request is present, and the CPU continues to execute the interrupt service routine. The edge- and level-sensitive trigger option allows connection to the  $\overline{\text{IRQ}}/\text{V}_{\text{PP}}$  pin of multiple wired-OR interrupt sources.

Interrupts

Programming the LEVEL bit to a logic 0 selects the edge-sensitive-only trigger option. When LEVEL = 0:

- A falling edge on the  $\overline{\text{IRQ}}/V_{PP}$  pin latches an external interrupt request.
- A subsequent interrupt request can be latched only after the voltage level on the  $\overline{\text{IRQ}}/V_{PP}$  pin returns to logic 1 and then falls again to logic 0.

**NOTE:** If the  $\overline{\text{IRQ}}/V_{PP}$  pin is not in use, connect it to the  $V_{DD}$  pin.

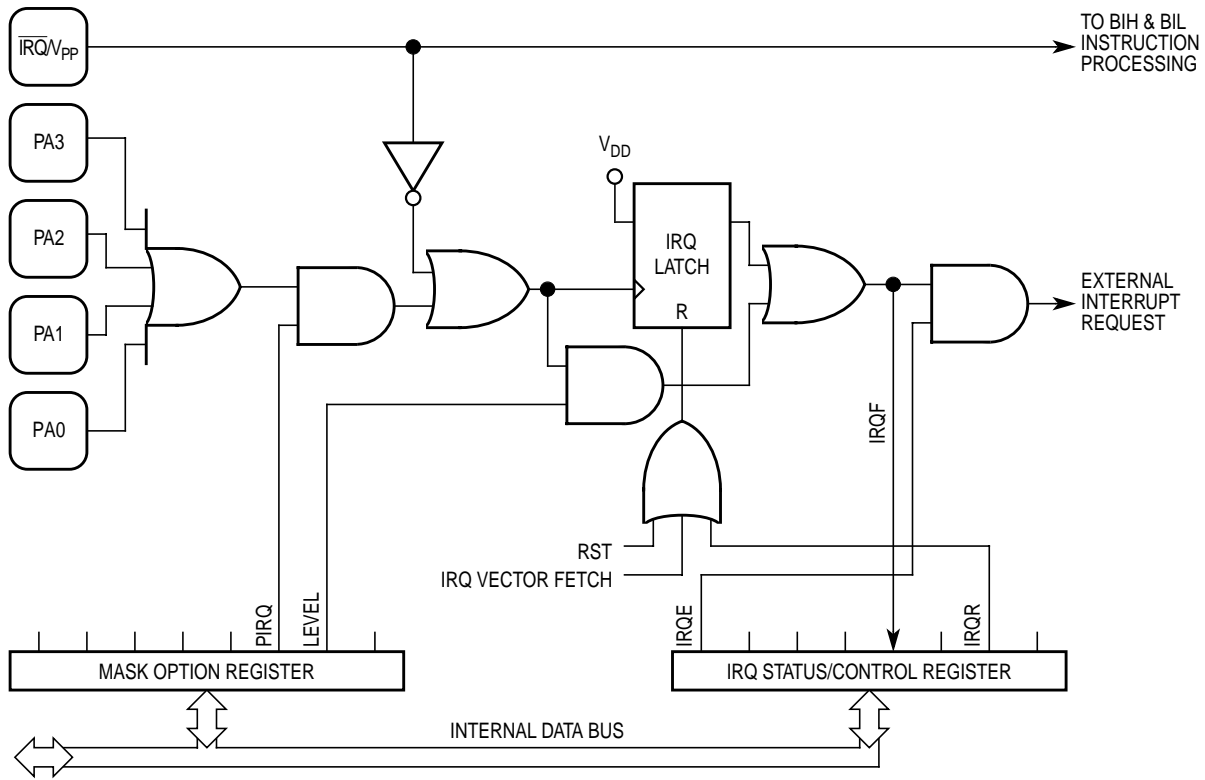


Figure 4-1. External Interrupt Logic

#### 4.3.2.2 PA3–PA0 Pins

Programming the PIRQ bit in the mask option register to a logic 1 enables pins PA3–PA0 to serve as additional external interrupt sources. See [9.6 Mask Option Register](#). An interrupt signal on a PA3–PA0 pin latches an external interrupt request. After completing the current instruction, the CPU tests these bits:

- IRQ latch
- IRQE bit in the IRQ status and control register
- I bit in the condition code register.

If both the IRQ latch and the IRQE bit are set, and the I bit is clear, the CPU then begins the interrupt sequence. The CPU clears the IRQ latch while it fetches the interrupt vector, so that another external interrupt request can be latched during the interrupt service routine. As soon as the I bit is cleared during the return from interrupt, the CPU can recognize the new interrupt request.

The PA3–PA0 pins are edge-triggered only or both edge- and level-triggered, depending on the state of the LEVEL bit in the MOR.

Programming the LEVEL bit to a logic 1 selects the edge- and level-sensitive trigger option. When LEVEL = 1:

- A rising edge or a high level on a PA3–PA0 pin latches an external interrupt request if and only if all other PA3–PA0 pins are low and the  $\overline{\text{IRQ}}/V_{PP}$  pin is high.
- A falling edge or a low level on the  $\overline{\text{IRQ}}/V_{PP}$  pin latches an external interrupt request if and only if all of the PA3–PA0 pins are low.
- As long as any PA3–PA0 pin is high or the  $\overline{\text{IRQ}}/V_{PP}$  pin is low, an external interrupt request is present, and the CPU continues to execute the interrupt service routine.

Programming the LEVEL bit to a logic 0 selects the edge-sensitive only trigger option. When LEVEL = 0:

- A rising edge on a PA3–PA0 pin latches an external interrupt request if and only if all other PA3–PA0 pins are low and the  $\overline{\text{IRQ}}/V_{\text{PP}}$  pin is high.
- A falling edge on the  $\overline{\text{IRQ}}/V_{\text{PP}}$  pin latches an external interrupt request if and only if all of the PA3–PA0 pins are low.
- A subsequent PA3–PA0 pin interrupt request can be latched only after the voltage level of the previous PA3–PA0 interrupt signal returns to a logic 0 and then rises again to a logic 1.
- A subsequent  $\overline{\text{IRQ}}/V_{\text{PP}}$  pin interrupt request can be latched only after the voltage level of the previous  $\overline{\text{IRQ}}/V_{\text{PP}}$  interrupt signal returns to a logic 1 and then falls again to a logic 0.

4.3.2.3 IRQ Status and Control Register

The IRQ status and control register (ISCR) contains an external interrupt mask, an external interrupt flag, and a flag reset bit. Unused bits read as logic 0s.

Address: \$000A

	Bit 7	6	5	4	3	2	1	Bit 0
Read:		0	0	0	IRQF	0		0
Write:	IRQE	0	0	0		0	IRQR	0
Reset:	1	0	0	0	0	0	U	0

= Unimplemented      U = Unaffected

**Figure 4-2. IRQ Status and Control Register (ISCR)**

IRQE — External Interrupt Request Enable Bit

This read/write bit enables external interrupts. Reset sets the IRQE bit.

- 1 = External interrupt processing enabled
- 0 = External interrupt processing disabled

IRQF — External Interrupt Request Flag

The IRQF bit is a clearable, read-only flag that is set when an external interrupt request is pending. Reset clears the IRQF bit.

- 1 = Interrupt request pending
- 0 = No interrupt request pending

These conditions set the IRQF bit:

- a. An external interrupt signal on the  $\overline{IRQ}/V_{PP}$  pin
- b. An external interrupt signal on pin PA3, PA2, PA1, or PA0 when PA3–PA0 are enabled to serve as external interrupt sources

The CPU clears the IRQF bit when fetching the interrupt vector. Writing to the IRQF bit has no effect. Writing a logic 1 to the IRQR bit clears the IRQF bit.

### IRQR — Interrupt Request Reset Bit

Writing a logic 1 to this write-only bit clears the IRQF bit. Writing a logic 0 to IRQR has no effect. Reset has no effect on IRQR.

1 = IRQF bit cleared

0 = No effect

### 4.3.3 Timer Interrupts

The multifunction timer can generate these interrupts:

- Timer overflow interrupt
- Real-time interrupt

Setting the I bit in the condition code register disables all timer interrupts.

#### 4.3.3.1 Timer Overflow Interrupt

A timer overflow interrupt request occurs if the timer overflow flag, TOF, becomes set while the timer overflow interrupt enable bit, TOIE, is also set. See [8.3 Timer Status and Control Register](#).

#### 4.3.3.2 Real-Time Interrupt

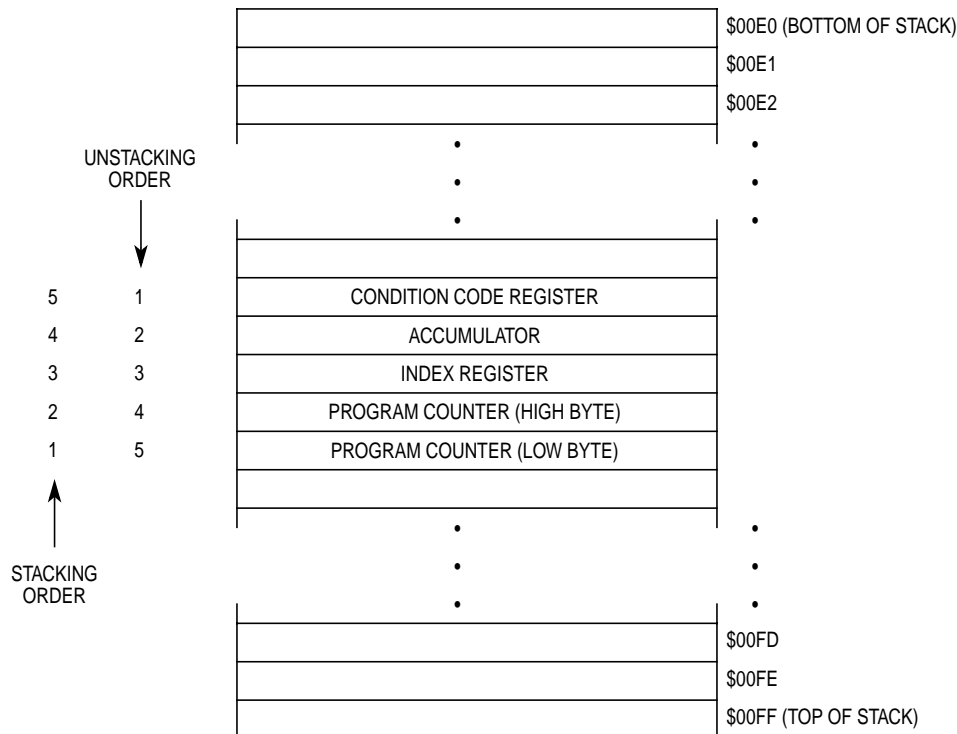
A real-time interrupt request occurs if the real-time interrupt flag, RTIF, becomes set while the real-time interrupt enable bit, RTIE, is also set. See [8.3 Timer Status and Control Register](#).

### 4.4 Interrupt Processing

The CPU does these things to begin servicing an interrupt:

- Stores the CPU registers on the stack in the order shown in **Figure 4-3**
- Sets the I bit in the condition code register to prevent further interrupts
- Loads the program counter with the contents of the appropriate interrupt vector locations:
  - \$03FC and \$03FD (software interrupt vector)
  - \$03FA and \$03FB (external interrupt vector)
  - \$03F8 and \$03F9 (timer interrupt vector)

The return-from-interrupt (RTI) instruction causes the CPU to recover the CPU registers from the stack as shown in **Figure 4-3**.



**Figure 4-3. Interrupt Stacking Order**

Interrupts

Table 4-1 summarizes the reset and interrupt sources and vector assignments.

Table 4-1. Reset/Interrupt Vector Addresses

Function	Source	Local Mask	Global Mask	MOR Control Bit	Priority (1 = Highest)	Vector Address
Reset	Power-on logic	None	None	None	1	\$03FE-\$03FF
	RESET pin			None		
	COP watchdog			COPEN <sup>(1)</sup>		
	Low voltage detect			LVIE <sup>(2)</sup>		
	Illegal address logic			None		
Software interrupt (SWI)	User code	None	None	None	Same priority as instruction	\$03FC-\$03FD
External interrupts	IRQ/V <sub>PP</sub> pin	IRQE bit	I bit	None	2	\$03FA-\$03FB
	PA3 pin			PIRQ <sup>(3)</sup>		
	PA2 pin			PIRQ <sup>3</sup>		
	PA1 pin			PIRQ <sup>3</sup>		
	PA0 pin			PIRQ <sup>3</sup>		
Timer interrupts	TOF bit	TOFE bit	I bit	None	3	\$03F8-\$03F9
	RTIF bit	RTIE bit				

- 1. COPEN enables the COP watchdog.
- 2. LVIE enables low-voltage resets.
- 3. PIRQ enables port A external interrupts.

**NOTE:** If more than one interrupt request is pending, the CPU fetches the vector of the higher priority interrupt first. A higher priority interrupt does not interrupt a lower priority interrupt service routine unless the lower priority interrupt service routine clears the I bit.



Figure 4-4 shows the sequence of events caused by an interrupt.

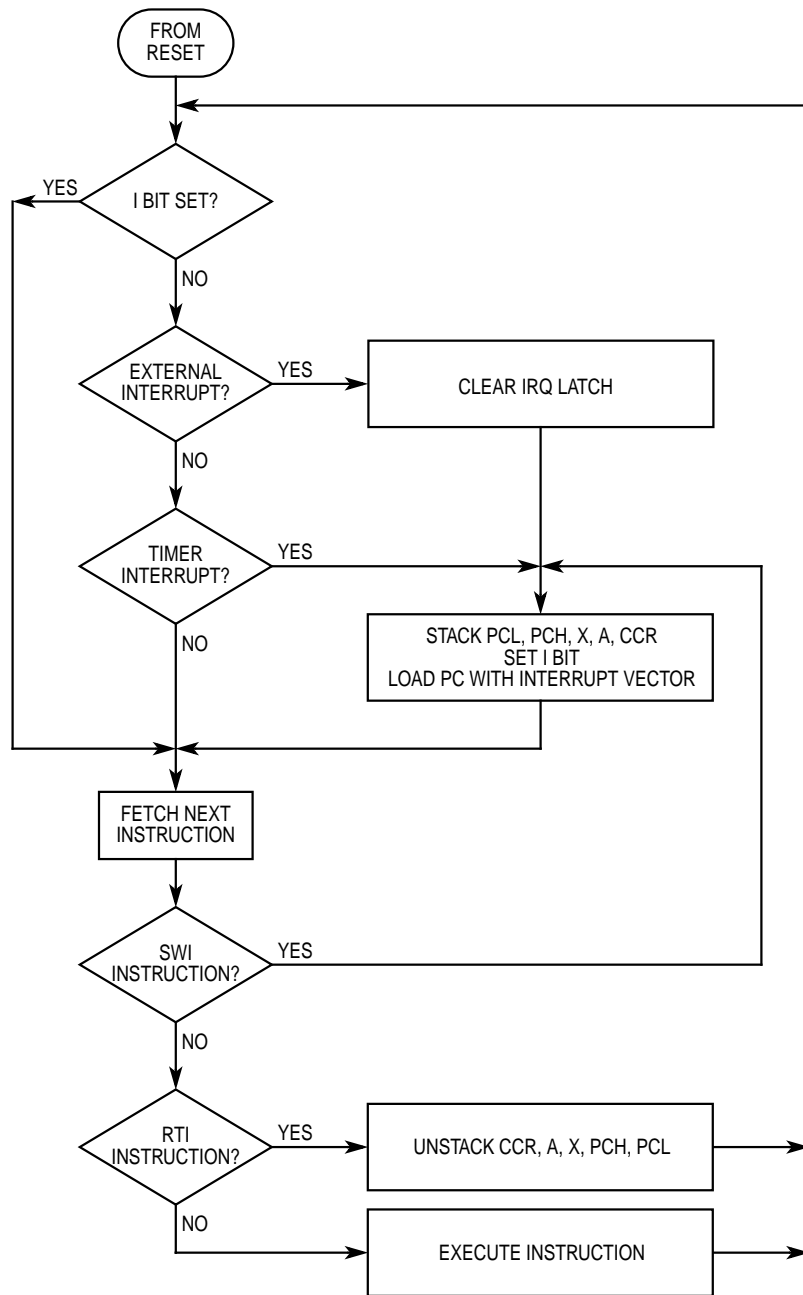


Figure 4-4. Interrupt Flowchart



## Section 5. Resets

### 5.1 Contents

5.3	Reset Types . . . . .	52
5.3.1	Power-On Reset . . . . .	52
5.3.2	External Reset . . . . .	52
5.3.3	Computer Operating Properly (COP) Reset . . . . .	54
5.3.4	Illegal Address Reset . . . . .	54
5.3.5	Low-Voltage Reset . . . . .	55
5.4	Reset States . . . . .	55
5.4.1	CPU . . . . .	55
5.4.2	I/O Port Registers . . . . .	56
5.4.3	Multifunction Timer . . . . .	56
5.4.4	COP Watchdog . . . . .	56

### 5.2 Introduction

This section describes the five reset sources and how they initialize the microcontroller unit (MCU).

## 5.3 Reset Types

A reset immediately stops the operation of the instruction being executed, initializes certain control bits, and loads the program counter with a user-defined reset vector address. These conditions produce a reset:

- Initial power-up (power-on reset)
- A logic 0 applied to the  $\overline{\text{RESET}}$  pin (external reset)
- Timeout of the computer operating properly (COP) watchdog (COP reset)
- An opcode fetch from an address not in the memory map (illegal address reset)
- $V_{DD}$  voltage below nominal 3.5 volts (low-voltage reset)

### 5.3.1 Power-On Reset

A positive transition on the  $V_{DD}$  pin generates a power-on reset. The power-on reset is strictly for power-up conditions and cannot be used to detect drops in power supply voltage.

A 4064  $t_{CYC}$  (internal clock cycle) delay after the oscillator becomes active allows the clock generator to stabilize. If the  $\overline{\text{RESET}}$  pin is at logic 0 at the end of 4064  $t_{CYC}$ , the MCU remains in the reset condition until the signal on the  $\overline{\text{RESET}}$  pin goes to logic 1.

### 5.3.2 External Reset

A logic 0 applied to the  $\overline{\text{RESET}}$  pin for one and one-half  $t_{CYC}$  generates an external reset. A Schmitt trigger senses the logic level at the  $\overline{\text{RESET}}$  pin.

A COP reset or an illegal address reset pulls the  $\overline{\text{RESET}}$  pin low for one internal clock cycle. A low-voltage reset pulls the  $\overline{\text{RESET}}$  pin low for as long as the low-voltage condition exists.

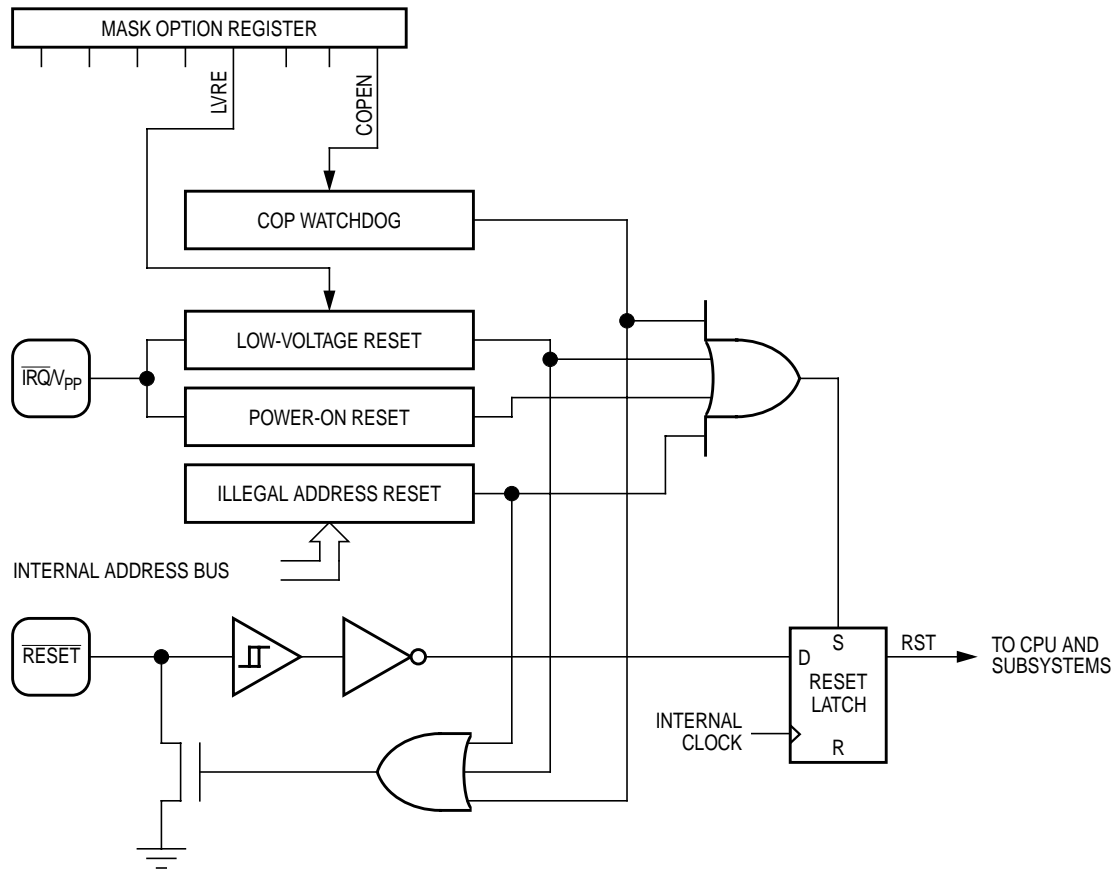
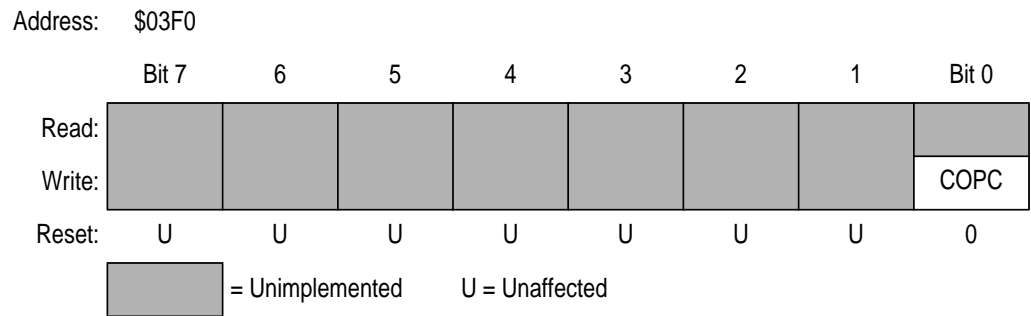


Figure 5-1. Reset Sources

**NOTE:** To avoid overloading some power supply designs, do not connect the  $\overline{RESET}$  pin directly to  $V_{DD}$ . Use a pullup resistor of 10 k $\Omega$  or more.

### 5.3.3 Computer Operating Properly (COP) Reset

A timeout of the COP watchdog generates a COP reset. The COP watchdog is part of a software error detection system and must be cleared periodically to start a new timeout period. (See [8.5 COP Watchdog](#).) To clear the COP watchdog and prevent a COP reset, write a logic 0 to bit 0 (COPC) of the COP register at location \$03F0. The COP register is a write-only register that returns the contents of a ROM location when read.



**Figure 5-2. COP Register (COPR)**

#### COPC — COP Clear Bit

COPC is a write-only bit. Periodically writing a logic 0 to COPC prevents the COP watchdog from resetting the MCU. Writing a logic 1 has no effect. Reset clears the COPC bit.

### 5.3.4 Illegal Address Reset

An opcode fetch from an address that is not in the erasable, programmable read-only memory (EPROM) (locations \$0200–\$03FF) or the random-access memory (RAM) (locations \$00E0–\$00FF) generates an illegal address reset. An illegal address reset pulls the  $\overline{\text{RESET}}$  pin low for one cycle of the internal clock.

### 5.3.5 Low-Voltage Reset

The low-voltage reset circuit generates a reset signal if the voltage on the  $V_{DD}$  pin falls below 3.5 V (nominal).  $V_{DD}$  must be set at 5 V  $\pm$ 10% while the low-voltage reset circuit is enabled.

Programming the LVRE bit to a logic 1 enables the low-voltage reset function. When erased, the LVRE bit in the mask option register disables the low-voltage reset circuit. See [9.6 Mask Option Register](#).

A low-voltage reset pulls the  $\overline{RESET}$  pin low for as long as the low-voltage condition exists.

The state of the low-voltage reset circuit is readable in the test register at location \$001F. Bit 1 of the test register is the low-voltage reset flag (LVRF). Regardless of the LVRE bit in the mask option register, the low-voltage reset circuit is active in all modes except stop mode.

## 5.4 Reset States

This subsection describes how resets initialize the MCU.

### 5.4.1 CPU

A reset has these effects on the central processor unit (CPU):

- Loads the stack pointer with \$FF
- Sets the I bit in the condition code register, inhibiting interrupts
- Sets the IRQE bit in the interrupt status and control register
- Loads the program counter with the user-defined reset vector from locations \$03FE and \$03FF
- Clears the stop latch, enabling the CPU clock
- Clears the wait latch, waking the CPU from the wait mode

### 5.4.2 I/O Port Registers

A reset has these effects on input/output (I/O) port registers:

- Clears bits DDRA7–DDRA0 in data direction register A so that port A pins are inputs
- Clears bits PDIA7–PDIA0 in pulldown register A so that port A pulldown devices are enabled (if the SWPDI bit in the mask option register is programmed to a logic 0)
- Clears bits DDRB1 and DDRB0 in data direction register B so that port B pins are inputs (if the SWPDI bit in the mask option register is programmed to logic 0)
- Clears bits PDIB1 and PDIB0 in pulldown register B so that port B pulldown devices are enabled
- Has no effect on port A or port B data registers

### 5.4.3 Multifunction Timer

A reset has these effects on the multifunction timer:

- Clears the timer status and control register
- Clears the timer counter register

### 5.4.4 COP Watchdog

A reset clears the COP watchdog timeout counter.



## Section 6. Low-Power Modes

### 6.1 Contents

6.2	Introduction . . . . .	57
6.3	Stop Mode . . . . .	57
6.4	Wait Mode . . . . .	58
6.5	Halt Mode . . . . .	59
6.6	Data-Retention Mode . . . . .	61

### 6.2 Introduction

This section describes the four low-power modes:

- Stop mode
- Wait mode
- Halt mode
- Data-retention mode

### 6.3 Stop Mode

If the SWAIT bit in the mask option register (MOR) is programmed to a logic 0, the STOP instruction puts the microcontroller unit (MCU) in its lowest power-consumption mode and has these effects on the MCU:

- Clears TOF and RTIF, the timer interrupt flags in the timer status and control register, removing any pending timer interrupts
- Clears TOIE and RTIE, the timer interrupt enable bits in the timer status and control register, disabling further timer interrupts
- Clears the multifunction timer counter register

- Sets the IRQE bit in the IRQ status and control register to enable external interrupts
- Clears the I bit in the condition code register, enabling interrupts
- Stops the internal oscillator, turning off the central processor unit (CPU) clock and the timer clock, including the computer operating properly (COP) watchdog

The STOP instruction does not affect any other registers or any input/output (I/O) lines.

These conditions bring the MCU out of stop mode:

- An external interrupt signal on the  $\overline{\text{IRQ}}/\text{V}_{\text{PP}}$  pin — A high-to-low transition on the  $\overline{\text{IRQ}}/\text{V}_{\text{PP}}$  pin loads the program counter with the contents of locations \$03FA and \$03FB.
- An external interrupt signal on a port A external interrupt pin — If the PIRQ bit in the mask option register is programmed to a logic 1, a low-to-high transition on a PA3–PA0 pin loads the program counter with the contents of locations \$03FA and \$03FB.
- External reset — A logic 0 on the  $\overline{\text{RESET}}$  pin resets the MCU and loads the program counter with the contents of locations \$03FE and \$03FF.

When the MCU exits stop mode, processing resumes after a stabilization delay of 4064 oscillator cycles.

## 6.4 Wait Mode

The WAIT instruction puts the MCU in an intermediate power-consumption mode and has these effects on the MCU:

- Clears the I bit in the condition code register, enabling interrupts
- Sets the IRQE bit in the IRQ status and control register, enabling external interrupts
- Stops the CPU clock, but allows the internal oscillator and timer clock to continue to run

The WAIT instruction does not affect any other registers or any I/O lines.

These conditions restart the CPU clock and bring the MCU out of wait mode:

- An external interrupt signal on the  $\overline{\text{IRQ}}/\text{V}_{\text{PP}}$  pin — A high-to-low transition on the  $\overline{\text{IRQ}}/\text{V}_{\text{PP}}$  pin loads the program counter with the contents of locations \$03FA and \$03FB.
- An external interrupt signal on a port A external interrupt pin — If the PIRQ bit in the mask option register is programmed to a logic 1, a low-to-high transition on a PA3–PA0 pin loads the program counter with the contents of locations \$03FA and \$03FB.
- A timer interrupt — A timer overflow or a real-time interrupt request loads the program counter with the contents of locations \$03F8 and \$03F9.
- A COP watchdog reset — A timeout of the COP watchdog resets the MCU and loads the program counter with the contents of locations \$03FE and \$03FF. Software can enable real-time interrupts so that the MCU can periodically exit wait mode to reset the COP watchdog.
- External reset — A logic 0 on the  $\overline{\text{RESET}}$  pin resets the MCU and loads the program counter with the contents of locations \$03FE and \$03FF.

## 6.5 Halt Mode

The STOP instruction puts the MCU in halt mode if the SWAIT bit in the mask option register is programmed to a logic 1. Halt mode is identical to wait mode, except that a recovery delay of 1–4064 internal clock cycles occurs when the MCU exits halt mode. When the SWAIT bit is set, the COP watchdog cannot be inadvertently turned off by a STOP instruction.

**Figure 6-1** shows the sequence of events in stop, wait, and halt modes.

Low-Power Modes

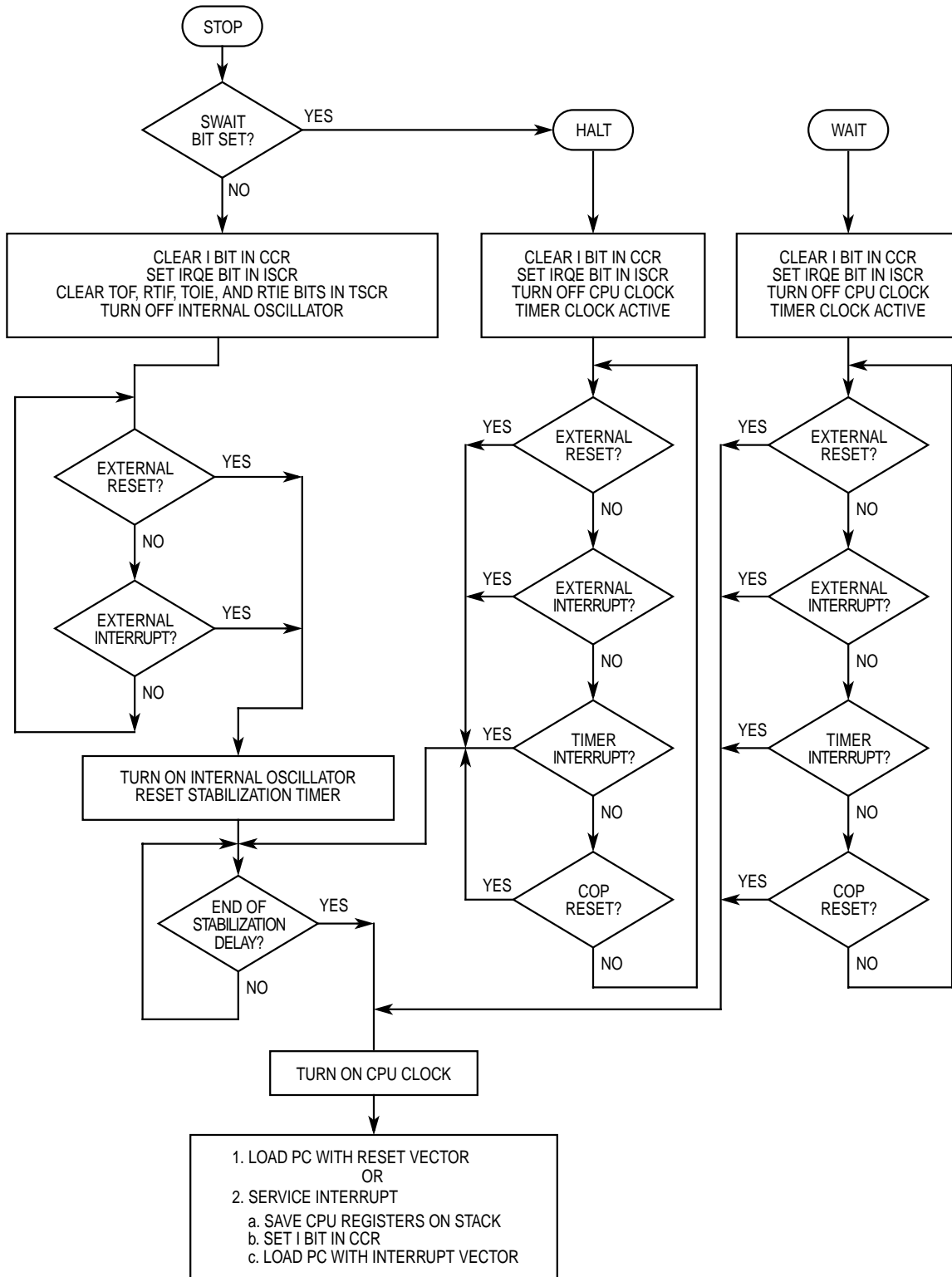


Figure 6-1. Stop/Wait/Halt Flowchart

## 6.6 Data-Retention Mode

In data-retention mode, the MCU retains random-access memory (RAM) contents and CPU register contents at  $V_{DD}$  voltages as low as 2.0 Vdc. Data-retention mode allows the MCU to remain in a low power-consumption state during which it retains data, but the CPU cannot execute instructions.

To put the MCU in data-retention mode:

1. Drive the  $\overline{\text{RESET}}$  pin to a logic 0.
2. Lower the  $V_{DD}$  voltage. The  $\overline{\text{RESET}}$  pin must remain low continuously during data-retention mode.

To take the MCU out of data-retention mode:

1. Return  $V_{DD}$  to normal operating voltage.
2. Return the  $\overline{\text{RESET}}$  pin to a logic 1.



## Section 7. Parallel Input/Output (I/O)

### 7.1 Contents

7.2	Introduction . . . . .	1
7.3	I/O Port Function . . . . .	1
7.4	Port A . . . . .	1
7.4.1	Port A Data Register . . . . .	2
7.4.2	Data Direction Register A . . . . .	2
7.4.3	Pulldown Register A (PDRA) . . . . .	3
7.4.4	Port A External Interrupts . . . . .	4
7.4.5	Port A Logic . . . . .	5
7.5	Port B . . . . .	6
7.5.1	Port B Data Register (PORTB) . . . . .	6
7.5.2	Data Direction Register B (DDRB) . . . . .	8
7.5.3	Pulldown Register B (PDRB) . . . . .	8
7.5.4	Port B Logic . . . . .	10

### 7.2 Introduction

This section describes the two bidirectional input/output (I/O) ports:

- Port A
- Port B

### 7.3 I/O Port Function

The 10 bidirectional input/output (I/O) pins form two parallel I/O ports. Each I/O pin is programmable as an input or an output. The contents of the data direction registers determine the data direction of each I/O pin.

All 10 I/O pins have software-programmable pulldown devices.

### 7.4 Port A

Port A is an 8-bit, general-purpose, bidirectional I/O port with these features:

- Programmable pulldown devices
- 8-mA current sinking capability (pins PA7–PA4)
- External interrupt capability (pins PA3–PA0)

#### 7.4.1 Port A Data Register

The port A data register (PORTA) contains a bit for each of the port A pins. When a port A pin is programmed to be an output, the state of its data register bit determines the state of the output pin. When a port A pin is programmed to be an input, reading the port A data register returns the logic state of the pin.

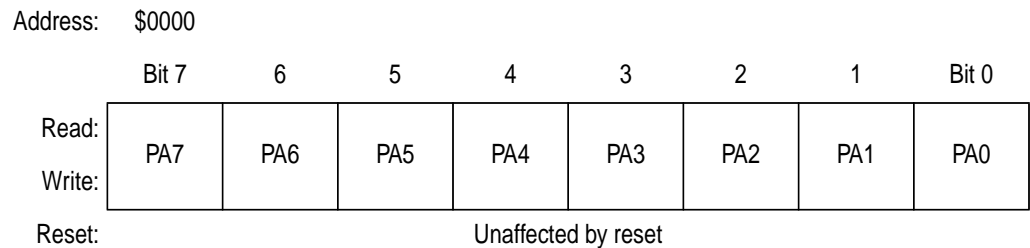


Figure 7-1. Port A Data Register (PORTA)

#### PA7–PA0 — Port A Data Bits

These read/write bits are software-programmable. Data direction of each bit is under the control of the corresponding bit in data direction register A. Reset has no effect on port A data.



### 7.4.2 Data Direction Register A

The contents of data direction register A (DDRA) determine whether each port A pin is an input or an output. Writing a logic 1 to a DDRA bit enables the output buffer for the associated port A pin; a logic 0 disables the output buffer. A reset initializes all DDRA bits to logic 0s, configuring all port A pins as inputs. If the pulldown devices are enabled, setting a DDRA bit to a logic 1 turns off the pulldown device for that pin.

Address: \$0004

	Bit 7	6	5	4	3	2	1	Bit 0
Read:	DDRA7	DDRA6	DDRA5	DDRA4	DDRA3	DDRA2	DDRA1	DDRA0
Write:								
Reset:	0	0	0	0	0	0	0	0

**Figure 7-2. Data Direction Register A (DDRA)**

#### DDRA7–DDRA0 — Port A Data Direction Bits

These read/write bits control port A data direction. Reset clears bits DDRA7–DDRA0.

- 1 = Corresponding port A pin configured as output
- 0 = Corresponding port A pin configured as input

**NOTE:** *Avoid glitches on port A pins by writing to the port A data register before changing DDRA bits from logic 0 to logic 1.*

7.4.3 Pulldown Register A

Programming the SWPDI bit in the mask option register to a logic 0 enables the port A and port B pulldown devices. The port A pulldown devices sink approximately 100  $\mu$ A and are under the control of the PDIA7–PDIA0 bits in pulldown register A (PDRA).

Clearing the PDIA7–PDIA0 bits turns on the pulldown devices of the port A pins that are configured as inputs. A pulldown device can be turned on only when its pin is an input. When SWPDI is a logic 0, reset initializes all port A pins as inputs with pulldown devices turned on.

Programming the SWPDI bit to a logic 1 disables the port A and port B pulldown devices. Reset initializes all port A pins as inputs with pulldown devices disabled when the SWPDI bit is programmed to a logic 1.

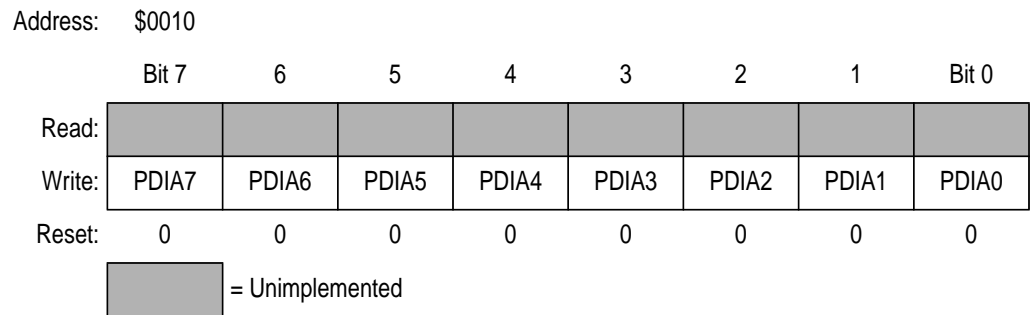


Figure 7-3. Pulldown Register A (PDRA)

PDIA7–PDIA0 — Port A Pulldown Inhibit Bits 7–0

Writing logic 0s to these write-only bits turns on the port A pulldown devices. Reading pulldown register A returns undefined data. Reset clears bits PDIA7–PDIA0.

- 1 = Corresponding port A pin pulldown device turned off
- 0 = Corresponding port A pin pulldown device turned on

**NOTE:** Avoid a floating port A input by clearing its pulldown register bit before changing its DDRA bit from logic 1 to logic 0.

Do not use read-modify-write instructions on pulldown register A.

### 7.4.4 Port A External Interrupts

Programming the PIRQ bit in the mask option register to a logic 1 enables the PA3–PA0 pins to serve as external interrupt pins in addition to the  $\overline{IRQ}/V_{PP}$  pin. The active interrupt state for the PA3–PA0 pins is a logic 1 or a rising edge. The active interrupt state for the  $\overline{IRQ}/V_{PP}$  pin is a logic 0 or a falling edge. The state of the LEVEL bit in the mask option register determines whether external interrupt inputs are edge-sensitive only or both edge- and level-sensitive.

**NOTE:** When testing for external interrupts, the branch if interrupt pin is high (BIH) and branch if interrupt pin is low (BIL) instructions test the voltage on the  $\overline{IRQ}/V_{PP}$  pin, not the state of the internal IRQ signal. Therefore, BIH and BIL cannot test the port A external interrupt pins.

### 7.4.5 Port A Logic

Figure 7-4 shows the port A I/O logic.

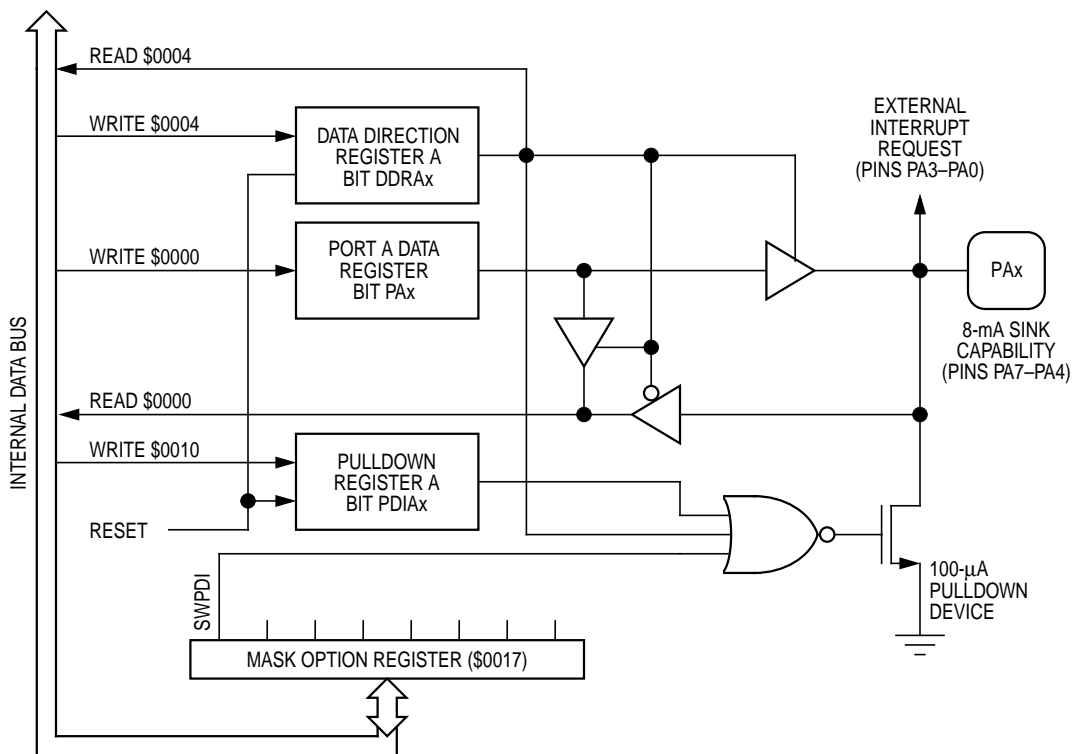


Figure 7-4. Port A I/O Circuit

Parallel Input/Output (I/O)

When a port A pin is programmed as an output, reading the port bit actually reads the value of the data latch and not the voltage on the pin itself. When a port A pin is programmed as an input, reading the port bit reads the voltage level on the pin. The data latch can always be written, regardless of the state of its data direction register bit. [Table 7-1](#) summarizes the operations of the port A pins.

Table 7-1. Port A Pin Functions

Pulldown Mask Option	Control Bits		I/O Pin Mode	Accesses to PDRA		Accesses to DDRA	Accesses to PORTA	
	PDIAx	DDRAx		Read	Write	Read/Write	Read	Write
No	X <sup>(1)</sup>	0	Input, hi-z	U <sup>(2)</sup>	PDIA7–PDIA0	DDRA7–DDRA0	Pin	PA7–PA0
No	X	1	Output	U	PDIA7–PDIA0	DDRA7–DDRA0	PA7-PA0	PA7–PA0
Yes	0	0	Input, pulldown on	U	PDIA7–PDIA0	DDRA7–DDRA0	Pin	PA7–PA0
Yes	0	1	Output	U	PDIA7–PDIA0	DDRA7–DDRA0	PA7-PA0	PA7–PA0
Yes	1	0	Input, hi-z	U	PDIA7–PDIA0	DDRA7–DDRA0	Pin	PA7–PA0
Yes	1	1	Output	U	PDIA7–PDIA0	DDRA7–DDRA0	PA7-PA0	PA7–PA0

1. X = Don't care  
2. U = Undefined

## 7.5 Port B

Port B is a 2-bit, general-purpose, bidirectional I/O port with these features:

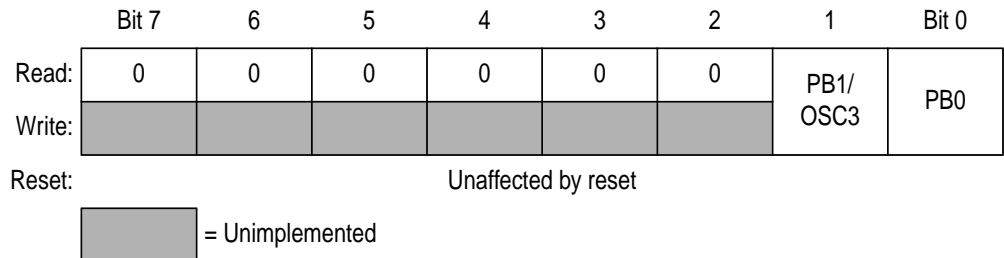
- Programmable pulldown devices
- Oscillator output for 3-pin resistance-capacitance (RC) oscillator configuration

### 7.5.1 Port B Data Register

The port B data register (PORTB) contains a bit for each of the port B pins. When a port B pin is programmed to be an output, the state of its data register bit determines the state of the output pin. When a port B pin

is programmed to be an input, reading the port B data register returns the logic state of the pin. Reset has no effect on port B data.

Address: \$0001



**Figure 7-5. Port B Data Register (PORTB)**

**PB1/OSC3 — Port B Data Bit 1/Oscillator Output Bit**

This read/write data bit is software programmable. Data direction of PB1 bit is under the control of the DDRB1 bit in data direction register B.

When both the RC and PIN3 bits in the mask option register are set, PB1/OSC3 can be used as an oscillator output in the 3-pin RC oscillator configuration. Using PB1/OSC3 as an oscillator output affects port B in these ways:

- a. Bit PB1 can be used as a read/write storage location without affecting the oscillator. Reset has no effect on bit PB1.
- b. Bit DDRB1 in data direction register B can be used as a read/write storage location without affecting the oscillator. Reset clears DDRB1.
- c. The PB1/OSC3 pulldown device is disabled, regardless of the state of the SWPDI bit in the mask option register.

**PB0 — Port B Data Bit 0**

This read/write data bit is software programmable. Data direction of PB0 is under the control of the DDRB0 bit in data direction register B.

**Bits 7–2 — Not Used**

Bits 7–2 always read as logic 0s. Writes to these bits have no effect.

Parallel Input/Output (I/O)

7.5.2 Data Direction Register B

The contents of data direction register B (DDRB) determine whether each port B pin is an input or an output. Writing a logic 1 to a DDRB bit enables the output buffer for the associated port B pin; a logic 0 disables the output buffer. A reset initializes all DDRB bits to logic 0, configuring all port B pins as inputs. Setting a DDRB bit to a logic 1 turns off the pulldown device for that pin.

Address: \$0005

	Bit 7	6	5	4	3	2	1	Bit 0
Read:	0	0	0	0	0	0	DDRB1	DDRB0
Write:								
Reset:	0	0	0	0	0	0	0	0

= Unimplemented

Figure 7-6. Data Direction Register B (DDRB)

DDRB1 and DDRB0 — Data Direction Bits 1 and 0

These read/write bits control port B data direction.

- 1 = Corresponding port B pin configured as output
- 0 = Corresponding port B pin configured as input

Bit 7–2 — Not Used

Bits 7–2 always read as logic 0s. Writes to these bits have no effect.

**NOTE:** Avoid glitches on port B pins by writing to the port B data register before changing DDRB bits from logic 0 to logic 1.


7.5.3 Pulldown Register B

Programming the SWPDI bit in the mask option register to a logic 0 enables the port A and port B pulldown devices. The port B pulldown devices sink approximately 100 μA and are under the control of the PDIB1 and PDIB0 bits in pulldown register B (PDRB). Clearing PDIB1 and PDIB0 turns on the port B pulldown devices if they are configured as inputs. A pulldown device can be turned on only when its pin is an input. When SWPDI is a logic 0, reset initializes both port B pins as inputs with pulldown devices turned on.

Programming the SWPDI bit to a logic 1 disables both of the port B pulldown devices. Reset initializes both port B pins as inputs with pulldown devices disabled when the SWPDI bit is programmed to a logic 1.

Address: \$0011

	Bit 7	6	5	4	3	2	1	Bit 0
Read:								
Write:	0	0	0	0	0	0	PDIB1	PDIB0
Reset:	0	0	0	0	0	0	0	0

 = Unimplemented

**Figure 7-7. Pulldown Register B (PDRB)**

**PDIB1 and PDIB0 — Port B Pulldown Inhibit Bits 1 and 0**

Writing logic 0s to these write-only bits turns on the port B pulldown devices. Reading pulldown register B returns undefined data. Reset clears PDIB1 and PDIB0.

- 1 = Corresponding port B pin pulldown device turned off
- 0 = Corresponding port B pin pulldown device turned on

**Bits 7–2 — Not Used**

Bits 7–2 always read as logic 0s.

Programming the SWPDI bit in the mask option register to logic 1 turns off all port A and port B pulldown devices and disables software control of the pulldown devices. Reset has no effect on the pulldown devices when the SWPDI bit is set to a logic 1.

**NOTE:** *Avoid a floating port B input by clearing its pulldown register bit before changing its DDRB bit from logic 1 to logic 0.*

*Do not use read-modify-write instructions on pulldown register B.*

**7.5.4 Port B Logic**

**Figure 7-8** shows the port B I/O logic.

Parallel Input/Output (I/O)

Freescale Semiconductor, Inc.

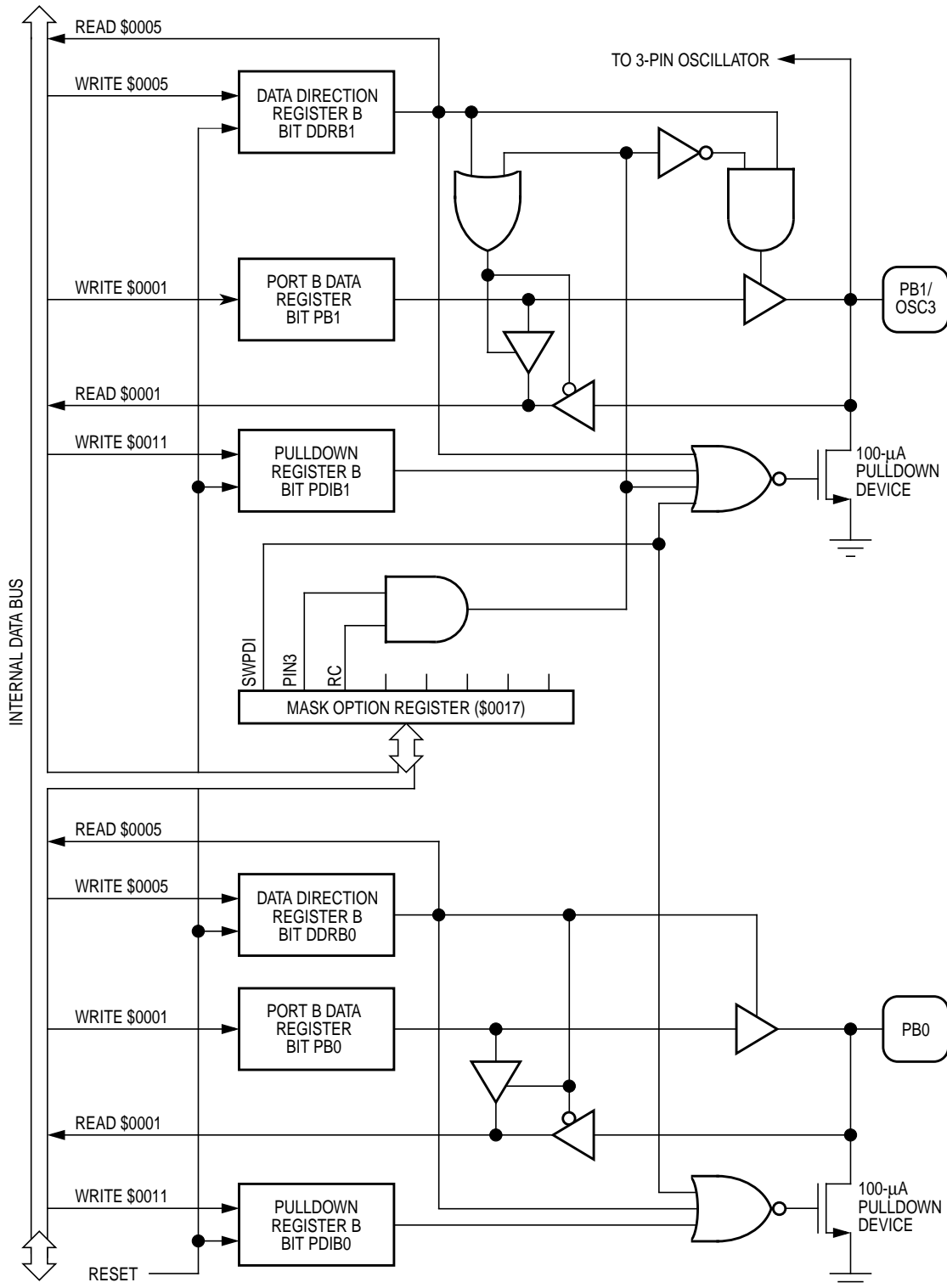


Figure 7-8. Port B I/O Circuit



When a port B pin is programmed as an output, reading the port bit reads the value of the data latch and not the voltage on the pin itself. When a port B pin is programmed as an input, reading the port bit reads the voltage level on the pin. The data latch can always be written, regardless of the state of its DDR bit. [Table 7-2](#) summarizes the operation of the PB0 pin.

Programming the RC and PIN3 bits to logic 1 disables the PB1/OSC3 output buffer and pulldown device. The PB1/OSC3 bit becomes an output from the 3-pin RC oscillator. The DDRB1 and PB1 bits are available as read/write storage locations; reset clears DDRB1 but does not affect PB1. [Table 7-3](#) summarizes the operation of the PB1/OSC3 pin.

**Table 7-2. PB0 Pin Functions**

Control Bits			PB0 Pin Mode	Accesses to PDRB		Accesses to DDRB	Accesses to PORTB	
SWPDI	PDIB0	DDRB0		Read	Write	Read/Write	Read	Write
1	X <sup>(1)</sup>	0	Input, hi-z	U <sup>(2)</sup>	PDIB0	DDRB0	Pin	PB0
1	X	1	Output	U	PDIB0	DDRB0	PB0	PB0
0	0	0	Input, pulldown on	U	PDIB0	DDRB0	Pin	PB0
0	0	1	Output	U	PDIB0	DDRB0	PB0	PB0
0	1	0	Input, hi-z	U	PDIB0	DDRB0	Pin	PB0
0	1	1	Output	U	PDIB0	DDRB0	PB0	PB0

1. X = Don't care
2. U = Undefined

Parallel Input/Output (I/O)

Table 7-3. PB1/OSC3 Pin Functions

Control Bits					PB1/OSC3 Pin Mode	Accesses to PDRB		Accesses to DDRB	Accesses to PORTB	
RC	PIN3	SWPDI	PDIB1	DDRB1		Read	Write	Read/Write	Read	Write
0	X <sup>(1)</sup>	1	X	0	Input, hi-z	U <sup>(2)</sup>	PDIB1	DDRB1	Pin	PB1
0	X	1	X	1	Output	U	PDIB1	DDRB1	PB1	PB1
0	X	0	0	0	Input, pulldown on	U	PDIB1	DDRB1	Pin	PB1
0	X	0	0	1	Output	U	PDIB1	DDRB1	PB1	PB1
0	X	0	1	0	Input, hi-z	U	PDIB1	DDRB1	Pin	PB1
0	X	0	1	1	Output	U	PDIB1	DDRB1	PB1	PB1
1	0	1	X	0	Input, hi-z	U	PDIB1	DDRB1	Pin	PB1
1	0	1	X	1	Output	U	PDIB1	DDRB1	PB1	PB1
1	0	0	0	0	Input, pulldown on	U	PDIB1	DDRB1	Pin	PB1
1	0	0	0	1	Output	U	PDIB1	DDRB1	PB1	PB1
1	0	0	1	0	Input, hi-z	U	PDIB1	DDRB1	Pin	PB1
1	0	0	1	1	Output	U	PDIB1	DDRB1	PB1	PB1
1	1	X	X	X	3-pin RC oscillator output	U	PDIB1	DDRB1	PB1	PB1

1. X = Don't care  
2. U = Undefined

## Section 8. Multifunction Timer

### 8.1 Contents

8.2	Introduction . . . . .	75
8.3	Timer Status and Control Register . . . . .	77
8.4	Timer Counter Register . . . . .	79
8.5	COP Watchdog. . . . .	80

### 8.2 Introduction

This section describes the operation of the multifunction timer and the computer operating properly (COP) watchdog. **Figure 8-1** shows the organization of the timer subsystem.

Multifunction Timer

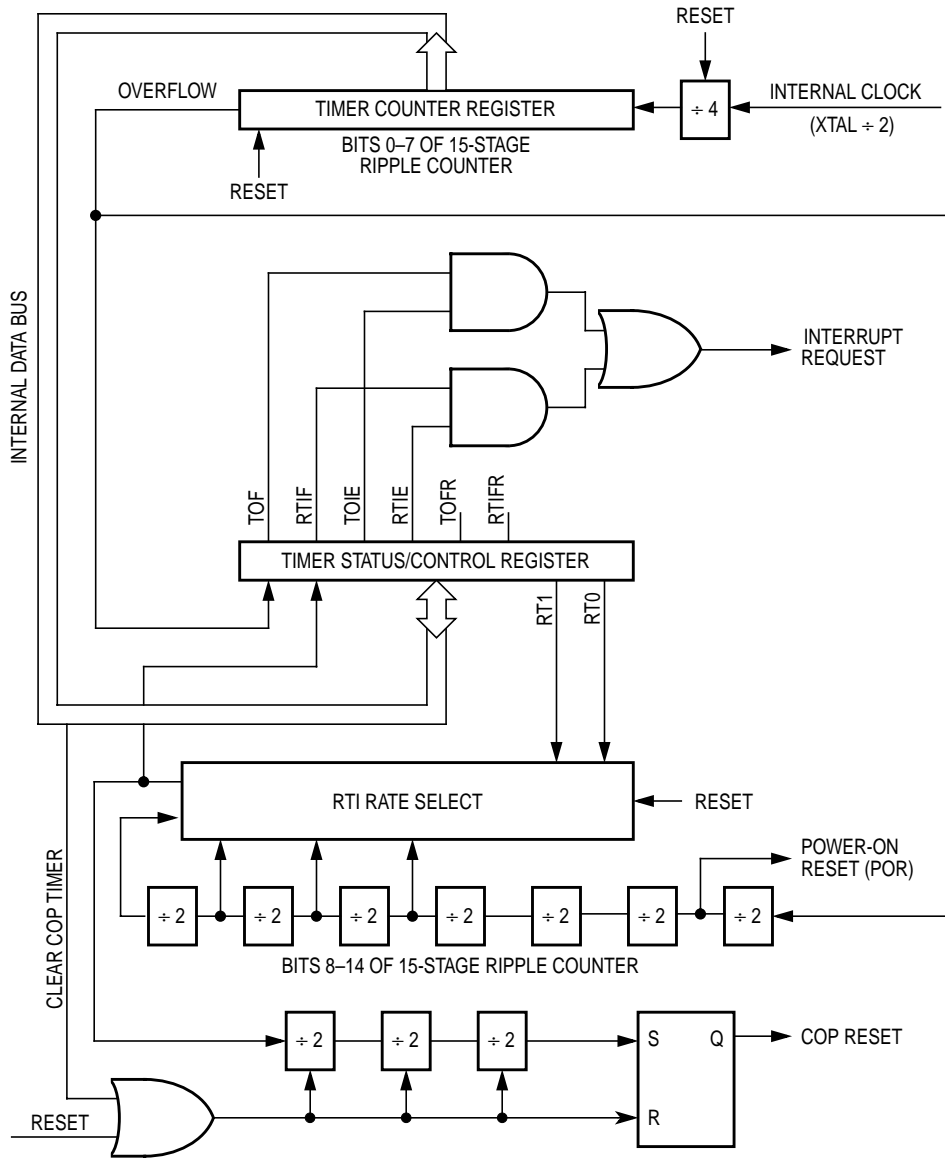


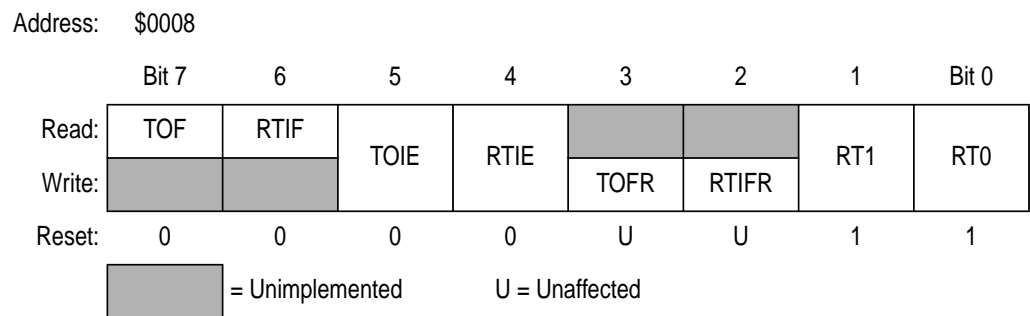
Figure 8-1. Multifunction Timer Block Diagram

Freescale Semiconductor, Inc.

### 8.3 Timer Status and Control Register

The read/write timer status and control register (TSCR) contains these bits:

- Timer interrupt enable bits
- Timer interrupt flags
- Timer interrupt flag reset bits
- Timer interrupt rate select bits



**Figure 8-2. Timer Status and Control Register (TSCR)**

#### TOF — Timer Overflow Flag

This read-only flag becomes set when the first eight stages of the counter roll over from \$FF to \$00. TOF generates a timer overflow interrupt request if TOIE is also set. Clear TOF by writing a logic 1 to the TOFR bit. Writing to TOF has no effect. Reset clears TOF.

#### RTIF — Real-Time Interrupt Flag

This read-only flag becomes set when the selected real-time interrupt (RTI) output becomes active. RTIF generates a real-time interrupt request if RTIE is also set. Clear RTIF by writing a logic 1 to the RTIFR bit. Writing to RTIF has no effect. Reset clears RTIF.

#### TOIE — Timer Overflow Interrupt Enable Bit

This read/write bit enables timer overflow interrupts. Reset clears TOIE.

- 1 = Timer overflow interrupts enabled
- 0 = Timer overflow interrupts disabled

RTIE — Real-Time Interrupt Enable Bit

This read/write bit enables real-time interrupts. Reset clears RTIE.

- 1 = Real-time interrupts enabled
- 0 = Real-time interrupts disabled

TOFR — Timer Overflow Flag Reset

Writing a logic 1 to this write-only bit clears the TOF bit. TOFR always reads as a logic 0. Reset does not affect TOFR.

RTIFR — Real-Time Interrupt Flag Reset

Writing a logic 1 to this write-only bit clears the RTIF bit. RTIFR always reads as a logic 0. Reset does not affect RTIFR.

RT1 and RT0 — Real-Time Interrupt Select Bits 1 and 0

These read/write bits select one of four real-time interrupt rates, as shown in [Table 8-1](#). Because the selected RTI output drives the COP watchdog, changing the real-time interrupt rate also changes the counting rate of the COP watchdog. Reset sets RT1 and RT0, selecting the longest COP timeout period and RTI period.

**NOTE:** *Changing RT1 and RT0 when a COP timeout is imminent or uncertain may cause an RTI request to be missed or an additional RTI request to be generated. Clear the COP timer just before changing RT1 and RT0.*

**Table 8-1. Real-Time Interrupt Rate Selection**

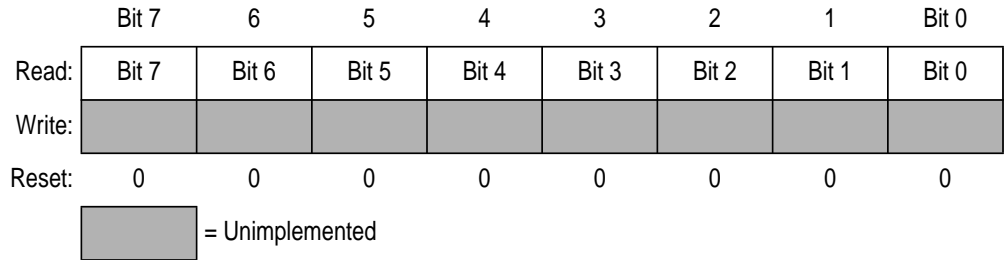
RT1:RT0	Number of Cycles to RTI	RTI Period <sup>(1)</sup>	Number of Cycles to COP Reset	COP Timeout Period <sup>(1)</sup>
0 0	$2^{14} = 16,384$	8.2 ms	$2^{17} = 131,072$	65.5 ms
0 1	$2^{15} = 32,768$	16.4 ms	$2^{18} = 262,144$	131.1 ms
1 0	$2^{16} = 65,536$	32.8 ms	$2^{19} = 524,288$	262.1 ms
1 1	$2^{17} = 131,072$	65.5 ms	$2^{20} = 1,048,576$	524.3 ms

1. At 2-MHz bus, 4-MHz XTAL, 0.5  $\mu$ s per cycle

### 8.4 Timer Counter Register

A 15-stage ripple counter is the core of the timer. The value of the first eight stages is readable at any time from the read-only timer counter register (TCNTR).

Address: \$0009



**Figure 8-3. Timer Counter Register (TCNTR)**

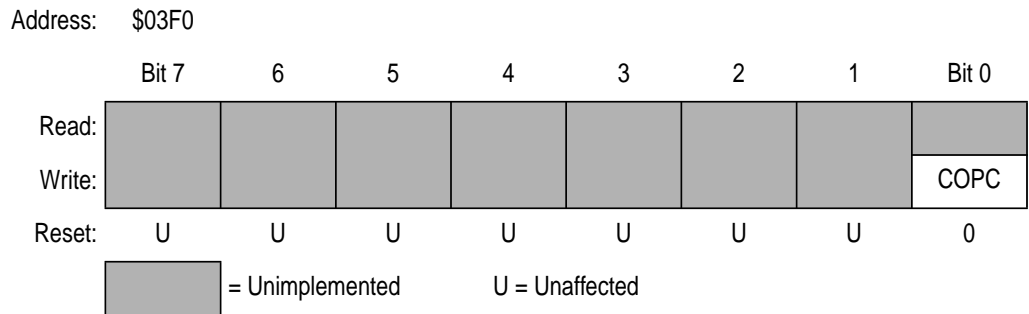
Power-on clears the entire counter chain and begins clocking the counter. After 4064 cycles, the power-on reset circuit is released, clearing the counter again and allowing the MCU to come out of reset.

A timer overflow function at the eighth counter stage allows a timer interrupt every 1024 internal clock cycles.

Each count of the timer counter register takes eight oscillator cycles or four cycles of the internal clock.

### 8.5 COP Watchdog

Four counter stages at the end of the timer make up the mask-optional computer operating properly (COP) watchdog. The COP watchdog is a software error detection system that automatically times out and resets the MCU if not cleared periodically by a program sequence. Writing a logic 0 to bit 0 of the COP register clears the COP watchdog and prevents a COP reset.



**Figure 8-4. COP Register (COPR)**

#### COPC — COP Clear Bit

This write-only bit resets the COP watchdog. Reading address \$03F0 returns the read-only memory (ROM) data at that address.

The COP watchdog is active in the run, wait, and halt modes of operation if the COPEN bit in the mask option register is set.

The STOP instruction disables the COP watchdog by clearing the counter and turning off its clock source. In applications that depend on the COP watchdog, the STOP instruction can be disabled by programming the SWAIT bit to a logic 1 in the mask option register. In applications that have wait cycles longer than the COP timeout period, the COP watchdog can be disabled by not programming the COPEN bit to a logic 1 in the mask option register.

**NOTE:** *If the voltage on the  $\overline{TRQ}/V_{PP}$  pin exceeds  $2 \times V_{DD}$ , the COP watchdog turns off and remains off until the  $\overline{TRQ}/V_{PP}$  voltage falls below  $2 \times V_{DD}$ .*



**Table 8-2** summarizes recommended conditions for enabling and disabling the COP watchdog.

**Table 8-2. COP Watchdog Recommendations**

Voltage on $\overline{\text{IRQ}}/\text{V}_{\text{PP}}$ Pin	SWAIT Bit <sup>(1)</sup>	Wait/Halt Time	Recommended COP Watchdog Condition
Less than $2 \times V_{\text{DD}}$	1	Less than COP timeout period	Enabled <sup>(2)</sup>
Less than $2 \times V_{\text{DD}}$	1	Greater than COP timeout period	Disabled
Less than $2 \times V_{\text{DD}}$	0	X <sup>(3)</sup>	Disabled
More than $2 \times V_{\text{DD}}$	X	X	Automatically disabled

1. The SWAIT bit in the mask option register converts STOP instructions to HALT instructions.
2. Reset the COP watchdog immediately before executing the WAIT/HALT instruction.
3. X = Don't care



## Section 9. EPROM/OTPROM

### 9.1 Contents

9.2	Introduction . . . . .	83
9.3	EPROM Programming Register . . . . .	84
9.4	EPROM/OTPROM Programming . . . . .	85
9.5	EPROM Erasing . . . . .	87
9.6	Mask Option Register . . . . .	87

### 9.2 Introduction

This section describes how to program the 504-byte erasable, programmable read-only memory (EPROM)/one-time programmable read-only memory (OTPROM).

**NOTE:** *In packages with no quartz window, the 504 bytes of EPROM function as an OTPROM.*

### 9.3 EPROM Programming Register

The EPROM programming register (EPROG) contains the control bits for programming the EPROM/OTPROM. In normal operation, the EPROM programming register is a read-only register that contains all logic 0s.

Address: \$0018

	Bit 7	6	5	4	3	2	1	Bit 0
Read:	R	R	R	R	R	ELAT	MPGM	EPGM
Write:								
Reset:	U	U	U	U	U	0	0	0

R = Reserved      U = Unaffected

**Figure 9-1. EPROM Programming Register (EPROG)**

#### ELAT — EPROM Bus Latch Bit

This read/write bit configures address and data buses for programming the EPROM/OTPROM array. EPROM/OTPROM data cannot be read when ELAT is set. Clearing the ELAT bit also clears the EPGM bit. Reset clears ELAT.

- 1 = Address and data buses configured for EPROM/OTPROM programming
- 0 = Address and data buses configured for normal operation

#### MPGM — Mask Option Register (MOR) Programming Bit

This read/write bit applies programming power from the  $\overline{IRQ}/V_{PP}$  pin to the MOR. Reset clears MPGM.

- 1 = MOR programming power switched on
- 0 = MOR programming power switched off

#### EPGM — EPROM Programming Bit

This read/write bit applies the voltage from the  $\overline{IRQ}/V_{PP}$  pin to the EPROM/OTPROM. To write the EPGM bit, the ELAT bit must already be set. Reset clears EPGM.

- 1 = EPROM/OTPROM programming power switched on
- 0 = EPROM/OTPROM programming power switched off

**NOTE:** Writing logic 1s to both the ELAT and EPGM bits with a single instruction sets ELAT and clears EPGM. ELAT must be set first by a separate instruction.

Bits 7–3 — Reserved

Bits 7–3 are factory test bits that always read as logic 0s.

## 9.4 EPROM/OTPROM Programming

The MC68HC705K1 does not contain built-in bootloader ROM code. To program this device, use an external programming system such as the M68HC705KICS evaluation module (EVM) or an M68HC705K1GANG programmer.

Factory-provided software for programming the EPROM/OTPROM is available through the Motorola web site at:

<http://mcu.motps.com>

The programming software copies to the 496-byte space located at EPROM/OTPROM addresses \$0200–\$03EF, to the 8-byte space at addresses \$03F8–\$03FF, and to the mask option register at address \$0017.

**Figure 9-2** shows the circuit used to download to the on-chip EPROM/OTPROM using the factory-provided programming software.

This sequence shows the steps in programming a byte of EPROM/OTPROM:

1. Switch S1 powers up the MC68HC705K1.
2. Software synchronizes the external oscillator to the internal clock.
3. Switch S2 applies  $V_{PP}$  to the  $\overline{IRQ}/V_{PP}$  pin.
4. Software sets the ELAT bit.
5. Software writes to an EPROM/OTPROM address.
6. Software sets the EPGM bit for a time  $t_{EPGM}$  to apply the programming voltage.
7. Software clears the ELAT bit.

**NOTE:** To program the EPROM/OTPROM,  $V_{DD}$  must be greater than 4.5 Vdc.

EPROM/OTPROM

Freescale Semiconductor, Inc.

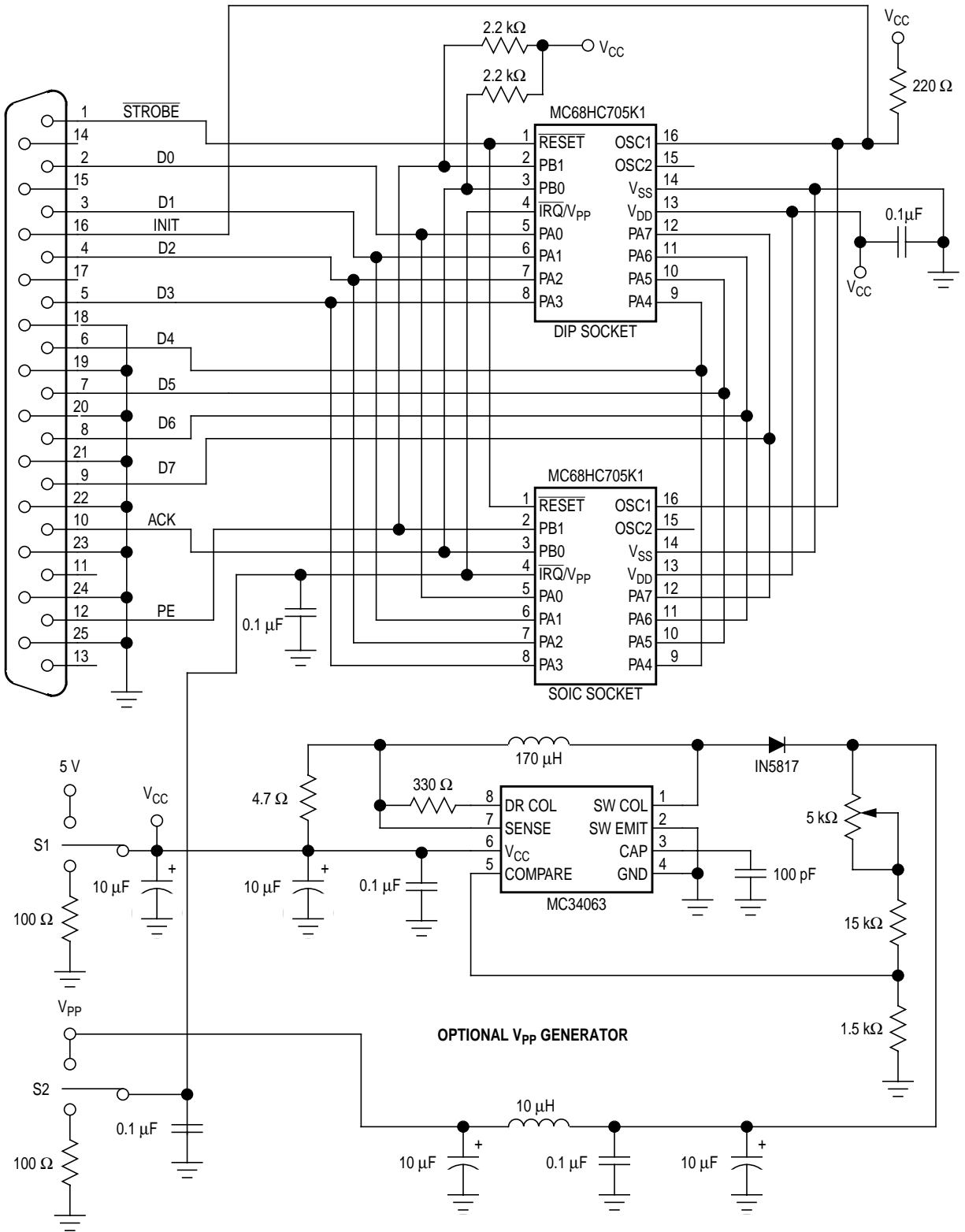


Figure 9-2. Programming Circuit

## 9.5 EPROM Erasing

MCUs with windowed packages permit EPROM erasure with ultraviolet light. Erase the EPROM by exposing it to 15 Ws/cm<sup>2</sup> of ultraviolet light with a wave length of 2537 angstroms. Position the ultraviolet light source 1 inch from the window. Do not use a shortwave filter. The erased state of an EPROM bit is a logic 0.

## 9.6 Mask Option Register

The mask option register (MOR) is an EPROM/OTPROM byte that controls these options:

- Port A and port B programmable pulldown devices (enable or disable)
- Oscillator connections (2-pin or 3-pin RC oscillator)
- Oscillator connections (RC oscillator or crystal/ceramic resonator)
- STOP instruction (enable or disable)
- Low-voltage reset (enable or disable)
- Port A external interrupt function (enable or disable)
- IRQ trigger sensitivity (edge-triggered only or both edge- and level-triggered)
- COP watchdog (enable or disable)

The mask option register is unaffected by reset. The erased state of the mask option register is \$0000.

Address: \$0017

	Bit 7	6	5	4	3	2	1	Bit 0
Read:	SWPDI	PIN3	RC	SWAIT	LVRE	PIRQ	LEVEL	COPEN
Write:								
Reset:	Unaffected by reset							
Erased:	0	0	0	0	0	0	0	0

**Figure 9-3. Mask Option Register (MOR)**

**SWPDI — Software Pulldown Inhibit Bit**

This EPROM bit inhibits software control of the port A and port B pulldown devices.

1 = Software pulldown inhibited

0 = Software pulldown enabled

**PIN3 — 3-Pin RC Oscillator Bit**

This EPROM bit configures the on-chip oscillator as either a 3-pin oscillator or as a 2-pin oscillator. The PIN3 bit should be cleared when the RC bit is clear.

1 = 3-pin oscillator configured

0 = 2-pin oscillator configured

**RC — RC Oscillator Bit**

This EPROM bit configures the on-chip oscillator for an external RC network.

1 = Oscillator configured for external RC network

0 = Oscillator configured for external crystal, ceramic resonator, or clock source

**SWAIT — STOP Conversion to WAIT Bit**

This EPROM bit disables the STOP instruction and prevents inadvertently turning off the COP watchdog with a STOP instruction. When the SWAIT bit is set, a STOP instruction puts the MCU in halt mode. Halt mode is a low-power state similar to wait mode. The internal oscillator and timer clock continue to run, but the CPU clock stops. When the SWAIT bit is clear, a STOP instruction stops the internal oscillator, the internal clock, the CPU clock, and the timer clock.

1 = STOP instruction converted to WAIT instruction

0 = STOP instruction not converted to WAIT instruction

**LVRE — Low-Voltage Reset Enable Bit**

This EPROM bit enables the low-voltage reset (LVR) circuit.

1 = LVR circuit enabled

0 = LVR circuit disabled



**PIRQ** — Port A IRQ Enable Bit

This EPROM bit enables the PA3–PA0 pins to function as external interrupt sources.

- 1 = PA3–PA0 enabled as external interrupt sources
- 0 = PA3–PA0 not enabled as external interrupt sources

**LEVEL** — External Interrupt Sensitivity Bit

This EPROM bit makes the external interrupt inputs level-triggered as well as edge-triggered.

- 1 =  $\overline{IRQ}/V_{PP}$  pin negative-edge triggered and low-level triggered; PA3–PA0 pins positive-edge triggered and high-level triggered
- 0 =  $\overline{IRQ}/V_{PP}$  pin negative-edge triggered only; PA3–PA0 pins positive-edge triggered only

**COPEN** — COP Watchdog Enable Bit

This EPROM bit enables the COP watchdog.

- 1 = COP watchdog enabled
- 0 = COP watchdog disabled

**NOTE:** *In 3-pin RC oscillator configurations, the personality EPROM (PEPROM) cannot be programmed by user software. If the voltage on  $\overline{IRQ}/V_{PP}$  is raised above  $V_{DD}$ , the oscillator will revert to a 2-pin oscillator configuration and device operation will be disrupted.*



## Section 10. Personality EPROM (PEPROM)

### 10.1 Contents

10.2	Introduction . . . . .	91
10.3	PEPROM Registers . . . . .	93
10.3.1	PEPROM Bit Select Register . . . . .	93
10.3.2	PEPROM Status and Control Register . . . . .	95
10.4	PEPROM Programming . . . . .	96
10.5	PEPROM Reading . . . . .	96
10.6	PEPROM Erasing . . . . .	97

### 10.2 Introduction

This section describes how to program the 64-bit personality erasable, programmable read-only memory (PEPROM). **Figure 10-1** shows the structure of the PEPROM subsystem.

Personality EPROM (PEPROM)

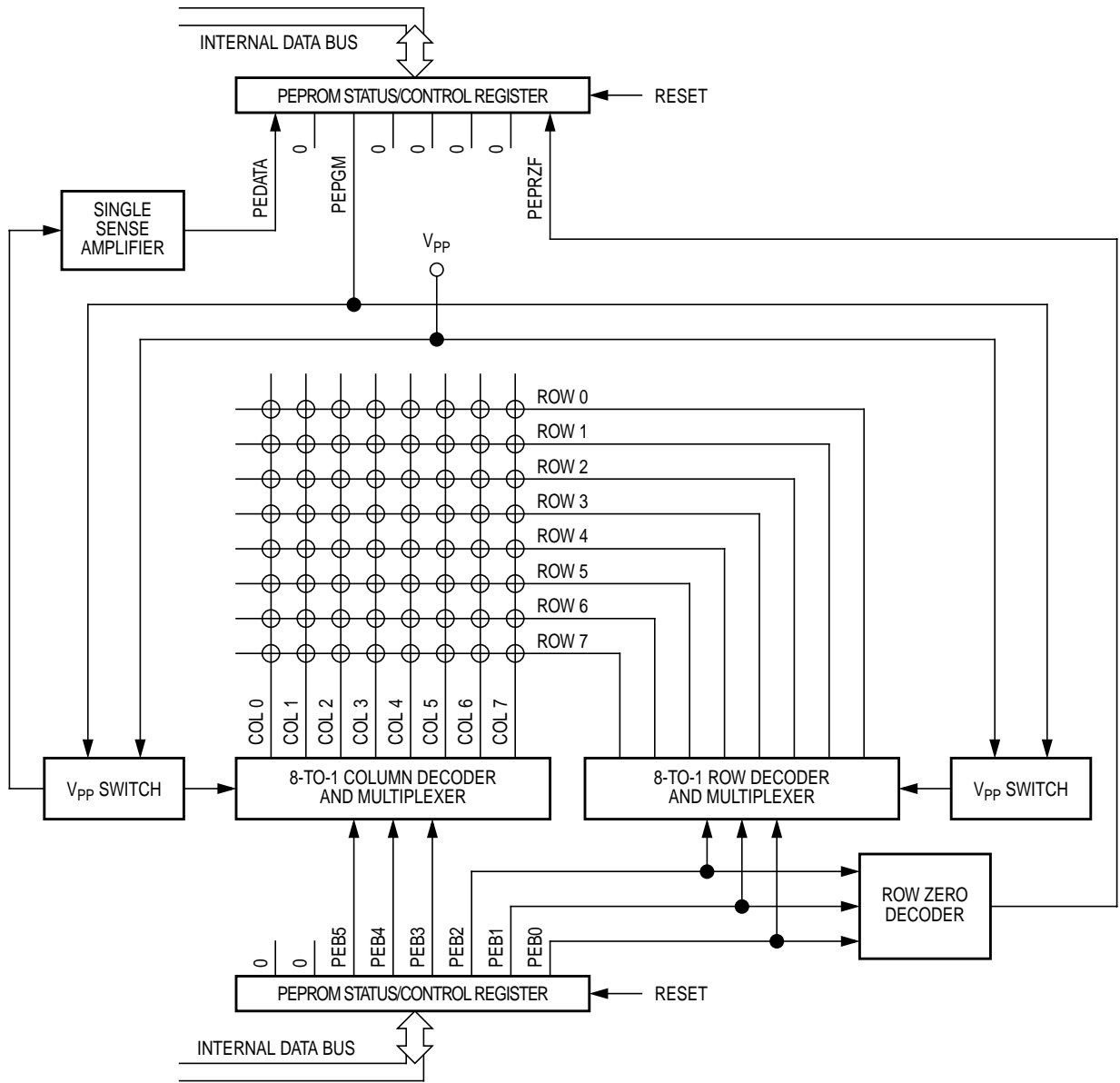


Figure 10-1. Personality EPROM

### 10.3 PEPROM Registers

Two input/output (I/O) registers control programming and reading of the PEPROM:

- PEPROM bit select register (PEBSR)
- PEPROM status and control register (PESCR)

#### 10.3.1 PEPROM Bit Select Register

The PEPROM bit select register (PEBSR) selects one of 64 bits in the PEPROM array. Reset clears all the bits in the PEPROM bit select register.

Address: \$000E

	Bit 7	6	5	4	3	2	1	Bit 0
Read:	PEB7	PEB6	PEB5	PEB4	PEB3	PEB2	PEB1	PEB0
Write:	PEB7	PEB6	PEB5	PEB4	PEB3	PEB2	PEB1	PEB0
Reset:	0	0	0	0	0	0	0	0

**Figure 10-2. PEPROM Bit Select Register (PEBSR)**

#### PEB7 and PEB6 — Not Connected to the PEPROM Array

These read/write bits are available as storage locations. Reset clears PEB7 and PEB6.

#### PEB5–PEB0 — PEPROM Bit Select Bits

These read/write bits select one of 64 bits in the PEPROM as shown in [Table 10-1](#). Bits PEB2–PEB0 select the PEPROM row, and bits PEB5–PEB3 select the PEPROM column. Reset clears PEB5–PEB0, selecting the PEPROM bit in row zero, column zero.

Personality EPROM (PEPROM)

Table 10-1. PEPROM Bit Selection

PEBSR	PEPROM Bit Selected	
\$00	Row 0	Column 0
\$01	Row 1	Column 0
\$02	Row 2	Column 0
↓	↓	↓
\$07	Row 7	Column 0
\$08	Row 0	Column 1
\$09	Row 1	Column 1
\$0A	Row 2	Column 1
↓	↓	↓
\$0F	Row 7	Column 1
\$10	Row 0	Column 2
\$11	Row 1	Column 2
\$12	Row 2	Column 2
↓	↓	↓
\$37	Row 7	Column 6
\$38	Row 0	Column 7
\$39	Row 1	Column 7
\$3A	Row 2	Column 7
\$3B	Row 3	Column 7
\$3C	Row 4	Column 7
\$3D	Row 5	Column 7
\$3E	Row 6	Column 7
\$3F	Row 7	Column 7

**10.3.2 PEPROM Status and Control Register**

The PEPROM status and control register (PESCR) controls the PEPROM programming voltage. This register also transfers the PEPROM bits to the internal data bus and contains a row zero flag.

Address: \$000F

	Bit 7	6	5	4	3	2	1	Bit 0
Read:	PEDATA	0	PEPGM	0	0	0	0	PEPRZF
Write:		0		0	0	0	0	
Reset:	U	0	0	0	0	0	0	1

= Unimplemented      U = Unaffected

**Figure 10-3. PEPROM Status and Control Register (PESCR)**

**PEDATA — PEPROM Data Bit**

This read-only bit is the state of the PEPROM sense amplifier and shows the state of the currently selected bit. Reset does not affect the PEDATA bit.

- 1 = PEPROM data logic 1
- 0 = PEPROM data logic 0

**PEPGM — PEPROM Program Control Bit**

This read/write bit controls the switches that apply the programming voltage,  $V_{PP}$ , to the selected PEPROM cell. Reset clears PEPGM.

- 1 = Programming voltage applied
- 0 = Programming voltage not applied

**PEPRZF — PEPROM Row Zero Flag**

This read-only bit is set when the PEPROM bit select register selects the first row (row zero) of the PEPROM array. Selecting any other row clears PEPRZF. Monitoring PEPRZF can reduce the code needed to access one byte of PEPROM. Reset sets PEPRZF.

- 1 = Row zero selected
- 0 = Row zero not selected

## 10.4 PEPROM Programming

Factory-provided software for programming the PEPROM is available through the Motorola web site at:

<http://mcu.motsps.com>

The circuit shown in **Figure 9-2. Programming Circuit** can be used to program the PEPROM with the factory-provided programming software.

**NOTE:** *To program the PEPROM,  $V_{DD}$  must be greater than 4.5 Vdc.*

The PEPROM can also be programmed by user software with  $V_{PP}$  applied to the  $\overline{IRQ}/V_{PP}$  pin. This sequence shows how to program each PEPROM bit:

1. Select a PEPROM bit by writing to PEBSR.
2. Set the PEPGM bit in PESCR.
3. Wait 3 ms.
4. Clear the PEPGM bit.

**NOTE:** *While the PEPGM bit is set and  $V_{PP}$  is applied to the  $\overline{IRQ}/V_{PP}$  pin, do not access bits that are to be left unprogrammed (erased).*

*In 3-pin RC oscillator configurations, the PEPROM cannot be programmed by user software. If the voltage on  $\overline{IRQ}/V_{PP}$  is raised above  $V_{DD}$ , the oscillator will revert to a 2-pin oscillator configuration and device operation will be disrupted.*

## 10.5 PEPROM Reading

This sequence shows how to read the PEPROM:

1. Select a bit by writing to PEBSR.
2. Read the PEDATA bit in PESCR.
3. Store the PEDATA bit in RAM or in a register.
4. Select another bit by changing PEBSR.
5. Continue reading and storing the PEDATA bits until the required personality EPROM data is stored.



Reading the PEPROM is easiest when each PEPROM column contains one byte. Selecting a row 0 bit selects the first bit, and incrementing the PEPROM bit select register (PEBSR) selects the next row 1 bit from the same column. Incrementing PEBSR seven more times selects the remaining bits of the column and selects the row 0 bit of the next column, setting the row 0 flag, PEPRZF.

A PEPROM byte that has been read can be transferred to the personality EPROM bit select register (PEBSR) so that subsequent reads of the PEBSR quickly yield that PEPROM byte.

## 10.6 PEPROM Erasing

MCUs with windowed packages permit PEPROM erasure with ultraviolet light. Erase the PEPROM by exposing it to  $15 \text{ Ws/cm}^2$  of ultraviolet light with a wave length of 2537 angstroms. Position the ultraviolet light source 1 inch from the window. Do not use a shortwave filter. The erased state of a PEPROM bit is a logic 0.

**Personality EPROM (PEPROM)**

**Freescale Semiconductor, Inc.**

## Section 11. Instruction Set

### 11.1 Contents

11.2	Introduction .....	100
11.3	Addressing Modes .....	100
11.3.1	Inherent .....	101
11.3.2	Immediate .....	101
11.3.3	Direct .....	101
11.3.4	Extended .....	101
11.3.5	Indexed, No Offset .....	102
11.3.6	Indexed, 8-Bit Offset .....	102
11.3.7	Indexed, 16-Bit Offset .....	102
11.3.8	Relative .....	103
11.4	Instruction Types .....	103
11.4.1	Register/Memory Instructions .....	104
11.4.2	Read-Modify-Write Instructions .....	105
11.4.3	Jump/Branch Instructions .....	106
11.4.4	Bit Manipulation Instructions .....	108
11.4.5	Control Instructions .....	109
11.5	Instruction Set Summary .....	110
11.6	Opcode Map .....	115

## 11.2 Introduction

The microcontroller unit (MCU) instruction set has 62 instructions and uses eight addressing modes. The instructions include all those of the M146805 CMOS Family plus one more: the unsigned multiply (MUL) instruction. The MUL instruction allows unsigned multiplication of the contents of the accumulator (A) and the index register (X). The high-order product is stored in the index register, and the low-order product is stored in the accumulator.

## 11.3 Addressing Modes

The central processor unit (CPU) uses eight addressing modes for flexibility in accessing data. The addressing modes provide eight different ways for the CPU to find the data required to execute an instruction.

The eight addressing modes are:

- Inherent
- Immediate
- Direct
- Extended
- Indexed, no offset
- Indexed, 8-bit offset
- Indexed, 16-bit offset
- Relative

## 11.3.1 Inherent

Inherent instructions are those that have no operand, such as return from interrupt (RTI) and stop (STOP). Some of the inherent instructions act on data in the CPU registers, such as set carry flag (SEC) and increment accumulator (INCA). Inherent instructions require no operand address and are one byte long.

## 11.3.2 Immediate

Immediate instructions are those that contain a value to be used in an operation with the value in the accumulator or index register. Immediate instructions require no operand address and are two bytes long. The opcode is the first byte, and the immediate data value is the second byte.

## 11.3.3 Direct

Direct instructions can access any of the first 256 memory locations with two bytes. The first byte is the opcode, and the second is the low byte of the operand address. In direct addressing, the CPU automatically uses \$00 as the high byte of the operand address.

## 11.3.4 Extended

Extended instructions use three bytes and can access any address in memory. The first byte is the opcode; the second and third bytes are the high and low bytes of the operand address.

When using the Motorola assembler, the programmer does not need to specify whether an instruction is direct or extended. The assembler automatically selects the shortest form of the instruction.

### 11.3.5 Indexed, No Offset

Indexed instructions with no offset are 1-byte instructions that can access data with variable addresses within the first 256 memory locations. The index register contains the low byte of the effective address of the operand. The CPU automatically uses \$00 as the high byte, so these instructions can address locations \$0000–\$00FF.

Indexed, no offset instructions are often used to move a pointer through a table or to hold the address of a frequently used RAM or I/O location.

### 11.3.6 Indexed, 8-Bit Offset

Indexed, 8-bit offset instructions are 2-byte instructions that can access data with variable addresses within the first 511 memory locations. The CPU adds the unsigned byte in the index register to the unsigned byte following the opcode. The sum is the effective address of the operand. These instructions can access locations \$0000–\$01FE.

Indexed 8-bit offset instructions are useful for selecting the kth element in an n-element table. The table can begin anywhere within the first 256 memory locations and could extend as far as location 510 (\$01FE). The k value is typically in the index register, and the address of the beginning of the table is in the byte following the opcode.

### 11.3.7 Indexed, 16-Bit Offset

Indexed, 16-bit offset instructions are 3-byte instructions that can access data with variable addresses at any location in memory. The CPU adds the unsigned byte in the index register to the two unsigned bytes following the opcode. The sum is the effective address of the operand. The first byte after the opcode is the high byte of the 16-bit offset; the second byte is the low byte of the offset.

Indexed, 16-bit offset instructions are useful for selecting the kth element in an n-element table anywhere in memory.

As with direct and extended addressing, the Motorola assembler determines the shortest form of indexed addressing.

### 11.3.8 Relative

Relative addressing is only for branch instructions. If the branch condition is true, the CPU finds the effective branch destination by adding the signed byte following the opcode to the contents of the program counter. If the branch condition is not true, the CPU goes to the next instruction. The offset is a signed, two's complement byte that gives a branching range of  $-128$  to  $+127$  bytes from the address of the next location after the branch instruction.

When using the Motorola assembler, the programmer does not need to calculate the offset, because the assembler determines the proper offset and verifies that it is within the span of the branch.

## 11.4 Instruction Types

The MCU instructions fall into five categories:

- Register/memory instructions
- Read-modify-write instructions
- Jump/branch instructions
- Bit manipulation instructions
- Control instructions

11.4.1 Register/Memory Instructions

These instructions operate on CPU registers and memory locations. Most of them use two operands. One operand is in either the accumulator or the index register. The CPU finds the other operand in memory.

Table 11-1. Register/Memory Instructions

Instruction	Mnemonic
Add memory byte and carry bit to accumulator	ADC
Add memory byte to accumulator	ADD
AND memory byte with accumulator	AND
Bit test accumulator	BIT
Compare accumulator	CMP
Compare index register with memory byte	CPX
Exclusive OR accumulator with memory byte	EOR
Load accumulator with memory byte	LDA
Load Index register with memory byte	LDX
Multiply	MUL
OR accumulator with memory byte	ORA
Subtract memory byte and carry bit from accumulator	SBC
Store accumulator in memory	STA
Store index register in memory	STX
Subtract memory byte from accumulator	SUB



**11.4.2 Read-Modify-Write Instructions**

These instructions read a memory location or a register, modify its contents, and write the modified value back to the memory location or to the register.

**NOTE:** *Do not use read-modify-write operations on write-only registers.*

**Table 11-2. Read-Modify-Write Instructions**

Instruction	Mnemonic
Arithmetic shift left (same as LSL)	ASL
Arithmetic shift right	ASR
Bit clear	BCLR <sup>(1)</sup>
Bit set	BSET <sup>(1)</sup>
Clear register	CLR
Complement (one's complement)	COM
Decrement	DEC
Increment	INC
Logical shift left (same as ASL)	LSL
Logical shift right	LSR
Negate (two's complement)	NEG
Rotate left through carry bit	ROL
Rotate right through carry bit	ROR
Test for negative or zero	TST <sup>(2)</sup>

1. Unlike other read-modify-write instructions, BCLR and BSET use only direct addressing.
2. TST is an exception to the read-modify-write sequence because it does not write a replacement value.

### 11.4.3 Jump/Branch Instructions

Jump instructions allow the CPU to interrupt the normal sequence of the program counter. The unconditional jump instruction (JMP) and the jump-to-subroutine instruction (JSR) have no register operand. Branch instructions allow the CPU to interrupt the normal sequence of the program counter when a test condition is met. If the test condition is not met, the branch is not performed.

The BRCLR and BRSET instructions cause a branch based on the state of any readable bit in the first 256 memory locations. These 3-byte instructions use a combination of direct addressing and relative addressing. The direct address of the byte to be tested is in the byte following the opcode. The third byte is the signed offset byte. The CPU finds the effective branch destination by adding the third byte to the program counter if the specified bit tests true. The bit to be tested and its condition (set or clear) is part of the opcode. The span of branching is from  $-128$  to  $+127$  from the address of the next location after the branch instruction. The CPU also transfers the tested bit to the carry/borrow bit of the condition code register.

**Table 11-3. Jump and Branch Instructions**

Instruction	Mnemonic
Branch if carry bit clear	BCC
Branch if carry bit set	BCS
Branch if equal	BEQ
Branch if half-carry bit clear	BHCC
Branch if half-carry bit set	BHCS
Branch if higher	BHI
Branch if higher or same	BHS
Branch if $\overline{IRQ}$ pin high	BIH
Branch if $\overline{IRQ}$ pin low	BIL
Branch if lower	BLO
Branch if lower or same	BLS
Branch if interrupt mask clear	BMC
Branch if minus	BMI
Branch if interrupt mask set	BMS
Branch if not equal	BNE
Branch if plus	BPL
Branch always	BRA
Branch if bit clear	BRCLR
Branch never	BRN
Branch if bit set	BRSET
Branch to subroutine	BSR
Unconditional jump	JMP
Jump to subroutine	JSR

**11.4.4 Bit Manipulation Instructions**

The CPU can set or clear any writable bit in the first 256 bytes of memory, which includes I/O registers and on-chip RAM locations. The CPU can also test and branch based on the state of any bit in any of the first 256 memory locations.

**Table 11-4. Bit Manipulation Instructions**

<b>Instruction</b>	<b>Mnemonic</b>
Bit clear	BCLR
Branch if bit clear	BRCLR
Branch if bit set	BRSET
Bit set	BSET

**11.4.5 Control Instructions**

These instructions act on CPU registers and control CPU operation during program execution.

**Table 11-5. Control Instructions**

Instruction	Mnemonic
Clear carry bit	CLC
Clear interrupt mask	CLI
No operation	NOP
Reset stack pointer	RSP
Return from interrupt	RTI
Return from subroutine	RTS
Set carry bit	SEC
Set interrupt mask	SEI
Stop oscillator and enable $\overline{\text{IRQ}}$ pin	STOP
Software interrupt	SWI
Transfer accumulator to index register	TAX
Transfer index register to accumulator	TXA
Stop CPU clock and enable interrupts	WAIT

11.5 Instruction Set Summary

Table 11-6. Instruction Set Summary (Sheet 1 of 6)

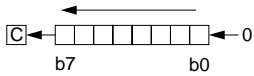
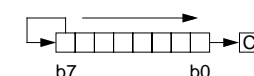
Source Form	Operation	Description	Effect on CCR					Address Mode	Opcode	Operand	Cycles
			H	I	N	Z	C				
ADC #opr ADC opr ADC opr ADC opr,X ADC opr,X ADC ,X	Add with Carry	$A \leftarrow (A) + (M) + (C)$	↕	—	↕	↕	↕	IMM DIR EXT IX2 IX1 IX	A9 B9 C9 D9 E9 F9	ii dd hh ll ee ff ff	2 3 4 5 4 3
ADD #opr ADD opr ADD opr ADD opr,X ADD opr,X ADD ,X	Add without Carry	$A \leftarrow (A) + (M)$	↕	—	↕	↕	↕	IMM DIR EXT IX2 IX1 IX	AB BB CB DB EB FB	ii dd hh ll ee ff ff	2 3 4 5 4 3
AND #opr AND opr AND opr AND opr,X AND opr,X AND ,X	Logical AND	$A \leftarrow (A) \wedge (M)$	—	—	↕	↕	—	IMM DIR EXT IX2 IX1 IX	A4 B4 C4 D4 E4 F4	ii dd hh ll ee ff ff	2 3 4 5 4 3
ASL opr ASLA ASLX ASL opr,X ASL ,X	Arithmetic Shift Left (Same as LSL)		—	—	↕	↕	↕	DIR INH INH IX1 IX	38 48 58 68 78	dd ff	5 3 3 6 5
ASR opr ASRA ASRX ASR opr,X ASR ,X	Arithmetic Shift Right		—	—	↕	↕	↕	DIR INH INH IX1 IX	37 47 57 67 77	dd ff	5 3 3 6 5
BCC rel	Branch if Carry Bit Clear	$PC \leftarrow (PC) + 2 + rel ? C = 0$	—	—	—	—	—	REL	24	rr	3
BCLR n opr	Clear Bit n	$M_n \leftarrow 0$	—	—	—	—	—	DIR (b0) DIR (b1) DIR (b2) DIR (b3) DIR (b4) DIR (b5) DIR (b6) DIR (b7)	11 13 15 17 19 1B 1D 1F	dd dd dd dd dd dd dd dd	5 5 5 5 5 5 5 5
BCS rel	Branch if Carry Bit Set (Same as BLO)	$PC \leftarrow (PC) + 2 + rel ? C = 1$	—	—	—	—	—	REL	25	rr	3
BEQ rel	Branch if Equal	$PC \leftarrow (PC) + 2 + rel ? Z = 1$	—	—	—	—	—	REL	27	rr	3
BHCC rel	Branch if Half-Carry Bit Clear	$PC \leftarrow (PC) + 2 + rel ? H = 0$	—	—	—	—	—	REL	28	rr	3
BHCS rel	Branch if Half-Carry Bit Set	$PC \leftarrow (PC) + 2 + rel ? H = 1$	—	—	—	—	—	REL	29	rr	3
BHI rel	Branch if Higher	$PC \leftarrow (PC) + 2 + rel ? C \vee Z = 0$	—	—	—	—	—	REL	22	rr	3
BHS rel	Branch if Higher or Same	$PC \leftarrow (PC) + 2 + rel ? C = 0$	—	—	—	—	—	REL	24	rr	3

Table 11-6. Instruction Set Summary (Sheet 2 of 6)

Source Form	Operation	Description	Effect on CCR					Address Mode	Opcode	Operand	Cycles
			H	I	N	Z	C				
BIH <i>rel</i>	Branch if IRQ Pin High	$PC \leftarrow (PC) + 2 + rel ? IRQ = 1$	—	—	—	—	—	REL	2F	rr	3
BIL <i>rel</i>	Branch if IRQ Pin Low	$PC \leftarrow (PC) + 2 + rel ? IRQ = 0$	—	—	—	—	—	REL	2E	rr	3
BIT # <i>opr</i> BIT <i>opr</i> BIT <i>opr</i> BIT <i>opr</i> ,X BIT <i>opr</i> ,X BIT ,X	Bit Test Accumulator with Memory Byte	$(A) \wedge (M)$	—	—	↑	↓	—	IMM DIR EXT IX2 IX1 IX	A5 B5 C5 D5 E5 F5	ii dd hh ll ee ff ff	2 3 4 5 4 3
BLO <i>rel</i>	Branch if Lower (Same as BCS)	$PC \leftarrow (PC) + 2 + rel ? C = 1$	—	—	—	—	—	REL	25	rr	3
BLS <i>rel</i>	Branch if Lower or Same	$PC \leftarrow (PC) + 2 + rel ? C \vee Z = 1$	—	—	—	—	—	REL	23	rr	3
BMC <i>rel</i>	Branch if Interrupt Mask Clear	$PC \leftarrow (PC) + 2 + rel ? I = 0$	—	—	—	—	—	REL	2C	rr	3
BMI <i>rel</i>	Branch if Minus	$PC \leftarrow (PC) + 2 + rel ? N = 1$	—	—	—	—	—	REL	2B	rr	3
BMS <i>rel</i>	Branch if Interrupt Mask Set	$PC \leftarrow (PC) + 2 + rel ? I = 1$	—	—	—	—	—	REL	2D	rr	3
BNE <i>rel</i>	Branch if Not Equal	$PC \leftarrow (PC) + 2 + rel ? Z = 0$	—	—	—	—	—	REL	26	rr	3
BPL <i>rel</i>	Branch if Plus	$PC \leftarrow (PC) + 2 + rel ? N = 0$	—	—	—	—	—	REL	2A	rr	3
BRA <i>rel</i>	Branch Always	$PC \leftarrow (PC) + 2 + rel ? 1 = 1$	—	—	—	—	—	REL	20	rr	3
BRCLR <i>n opr rel</i>	Branch if Bit n Clear	$PC \leftarrow (PC) + 2 + rel ? Mn = 0$	—	—	—	—	↑	DIR (b0) DIR (b1) DIR (b2) DIR (b3) DIR (b4) DIR (b5) DIR (b6) DIR (b7)	01 03 05 07 09 0B 0D 0F	dd rr dd rr dd rr dd rr dd rr dd rr dd rr dd rr	5 5 5 5 5 5 5 5
BRN <i>rel</i>	Branch Never	$PC \leftarrow (PC) + 2 + rel ? 1 = 0$	—	—	—	—	—	REL	21	rr	3
BRSET <i>n opr rel</i>	Branch if Bit n Set	$PC \leftarrow (PC) + 2 + rel ? Mn = 1$	—	—	—	—	↓	DIR (b0) DIR (b1) DIR (b2) DIR (b3) DIR (b4) DIR (b5) DIR (b6) DIR (b7)	00 02 04 06 08 0A 0C 0E	dd rr dd rr dd rr dd rr dd rr dd rr dd rr dd rr	5 5 5 5 5 5 5 5
BSET <i>n opr</i>	Set Bit n	$Mn \leftarrow 1$	—	—	—	—	—	DIR (b0) DIR (b1) DIR (b2) DIR (b3) DIR (b4) DIR (b5) DIR (b6) DIR (b7)	10 12 14 16 18 1A 1C 1E	dd dd dd dd dd dd dd dd	5 5 5 5 5 5 5 5
BSR <i>rel</i>	Branch to Subroutine	$PC \leftarrow (PC) + 2$ ; push (PCL) $SP \leftarrow (SP) - 1$ ; push (PCH) $SP \leftarrow (SP) - 1$ $PC \leftarrow (PC) + rel$	—	—	—	—	—	REL	AD	rr	6
CLC	Clear Carry Bit	$C \leftarrow 0$	—	—	—	—	0	INH	98		2
CLI	Clear Interrupt Mask	$I \leftarrow 0$	—	0	—	—	—	INH	9A		2

Instruction Set

Table 11-6. Instruction Set Summary (Sheet 3 of 6)

Source Form	Operation	Description	Effect on CCR					Address Mode	Opcode	Operand	Cycles
			H	I	N	Z	C				
CLR <i>opr</i> CLRA CLR X CLR <i>opr</i> ,X CLR ,X	Clear Byte	M ← \$00 A ← \$00 X ← \$00 M ← \$00 M ← \$00	—	—	0	1	—	DIR INH INH IX1 IX	3F 4F 5F 6F 7F	dd ff	5 3 3 6 5
CMP # <i>opr</i> CMP <i>opr</i> CMP <i>opr</i> CMP <i>opr</i> ,X CMP <i>opr</i> ,X CMP ,X	Compare Accumulator with Memory Byte	(A) – (M)	—	—	↑	↑	↑	IMM DIR EXT IX2 IX1 IX	A1 B1 C1 D1 E1 F1	ii dd hh ll ee ff ff	2 3 4 5 4 3
COM <i>opr</i> COMA COM X COM <i>opr</i> ,X COM ,X	Complement Byte (One's Complement)	M ← ( $\bar{M}$ ) = \$FF – (M) A ← ( $\bar{A}$ ) = \$FF – (A) X ← ( $\bar{X}$ ) = \$FF – (X) M ← ( $\bar{M}$ ) = \$FF – (M) M ← ( $\bar{M}$ ) = \$FF – (M)	—	—	↑	↑	1	DIR INH INH IX1 IX	33 43 53 63 73	dd ff	5 3 3 6 5
CPX # <i>opr</i> CPX <i>opr</i> CPX <i>opr</i> CPX <i>opr</i> ,X CPX <i>opr</i> ,X CPX ,X	Compare Index Register with Memory Byte	(X) – (M)	—	—	↑	↑	↑	IMM DIR EXT IX2 IX1 IX	A3 B3 C3 D3 E3 F3	ii dd hh ll ee ff ff	2 3 4 5 4 3
DEC <i>opr</i> DECA DEC X DEC <i>opr</i> ,X DEC ,X	Decrement Byte	M ← (M) – 1 A ← (A) – 1 X ← (X) – 1 M ← (M) – 1 M ← (M) – 1	—	—	↑	↑	—	DIR INH INH IX1 IX	3A 4A 5A 6A 7A	dd ff	5 3 3 6 5
EOR # <i>opr</i> EOR <i>opr</i> EOR <i>opr</i> EOR <i>opr</i> ,X EOR <i>opr</i> ,X EOR ,X	EXCLUSIVE OR Accumulator with Memory Byte	A ← (A) ⊕ (M)	—	—	↑	↑	—	IMM DIR EXT IX2 IX1 IX	A8 B8 C8 D8 E8 F8	ii dd hh ll ee ff ff	2 3 4 5 4 3
INC <i>opr</i> INCA INC X INC <i>opr</i> ,X INC ,X	Increment Byte	M ← (M) + 1 A ← (A) + 1 X ← (X) + 1 M ← (M) + 1 M ← (M) + 1	—	—	↑	↑	—	DIR INH INH IX1 IX	3C 4C 5C 6C 7C	dd ff	5 3 3 6 5
JMP <i>opr</i> JMP <i>opr</i> JMP <i>opr</i> ,X JMP <i>opr</i> ,X JMP ,X	Unconditional Jump	PC ← Jump Address	—	—	—	—	—	DIR EXT IX2 IX1 IX	BC CC DC EC FC	dd hh ll ee ff ff	2 3 4 3 2



Table 11-6. Instruction Set Summary (Sheet 4 of 6)

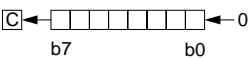
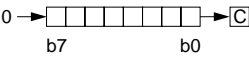
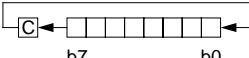
Source Form	Operation	Description	Effect on CCR					Address Mode	Opcode	Operand	Cycles
			H	I	N	Z	C				
JSR <i>opr</i> JSR <i>opr</i> JSR <i>opr,X</i> JSR <i>opr,X</i> JSR , <i>X</i>	Jump to Subroutine	PC ← (PC) + n (n = 1, 2, or 3) Push (PCL); SP ← (SP) - 1 Push (PCH); SP ← (SP) - 1 PC ← Effective Address	—	—	—	—	—	DIR EXT IX2 IX1 IX	BD CD DD ED FD	dd hh ll ee ff ff	5 6 7 6 5
LDA # <i>opr</i> LDA <i>opr</i> LDA <i>opr</i> LDA <i>opr,X</i> LDA <i>opr,X</i> LDA , <i>X</i>	Load Accumulator with Memory Byte	A ← (M)	—	—	↑	↓	—	IMM DIR EXT IX2 IX1 IX	A6 B6 C6 D6 E6 F6	ii dd hh ll ee ff ff	2 3 4 5 4 3
LDX # <i>opr</i> LDX <i>opr</i> LDX <i>opr</i> LDX <i>opr,X</i> LDX <i>opr,X</i> LDX , <i>X</i>	Load Index Register with Memory Byte	X ← (M)	—	—	↑	↓	—	IMM DIR EXT IX2 IX1 IX	AE BE CE DE EE FE	ii dd hh ll ee ff ff	2 3 4 5 4 3
LSL <i>opr</i> LSLA LSLX LSL <i>opr,X</i> LSL , <i>X</i>	Logical Shift Left (Same as ASL)		—	—	↑	↓	↓	DIR INH INH IX1 IX	38 48 58 68 78	dd ff	5 3 3 6 5
LSR <i>opr</i> LSRA LSRX LSR <i>opr,X</i> LSR , <i>X</i>	Logical Shift Right		—	—	0	↑	↓	DIR INH INH IX1 IX	34 44 54 64 74	dd ff	5 3 3 6 5
MUL	Unsigned Multiply	X : A ← (X) × (A)	0	—	—	—	0	INH	42		1 1
NEG <i>opr</i> NEGA NEGX NEG <i>opr,X</i> NEG , <i>X</i>	Negate Byte (Two's Complement)	M ← -(M) = \$00 - (M) A ← -(A) = \$00 - (A) X ← -(X) = \$00 - (X) M ← -(M) = \$00 - (M) M ← -(M) = \$00 - (M)	—	—	↑	↓	↓	DIR INH INH IX1 IX	30 40 50 60 70	dd ff	5 3 3 6 5
NOP	No Operation		—	—	—	—	—	INH	9D		2
ORA # <i>opr</i> ORA <i>opr</i> ORA <i>opr</i> ORA <i>opr,X</i> ORA <i>opr,X</i> ORA , <i>X</i>	Logical OR Accumulator with Memory	A ← (A) ∨ (M)	—	—	↑	↓	—	IMM DIR EXT IX2 IX1 IX	AA BA CA DA EA FA	ii dd hh ll ee ff ff	2 3 4 5 4 3
ROL <i>opr</i> ROLA ROLX ROL <i>opr,X</i> ROL , <i>X</i>	Rotate Byte Left through Carry Bit		—	—	↑	↓	↓	DIR INH INH IX1 IX	39 49 59 69 79	dd ff	5 3 3 6 5

Table 11-6. Instruction Set Summary (Sheet 5 of 6)

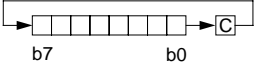
Source Form	Operation	Description	Effect on CCR					Address Mode	Opcode	Operand	Cycles
			H	I	N	Z	C				
ROR <i>opr</i> RORA RORX ROR <i>opr,X</i> ROR ,X	Rotate Byte Right through Carry Bit		—	—	↑	↑	↑	DIR INH INH IX1 IX	36 46 56 66 76	dd ff	5 3 3 6 5
RSP	Reset Stack Pointer	SP ← \$00FF	—	—	—	—	—	INH	9C		2
RTI	Return from Interrupt	SP ← (SP) + 1; Pull (CCR) SP ← (SP) + 1; Pull (A) SP ← (SP) + 1; Pull (X) SP ← (SP) + 1; Pull (PCH) SP ← (SP) + 1; Pull (PCL)	↑	↑	↑	↑	↑	INH	80		9
RTS	Return from Subroutine	SP ← (SP) + 1; Pull (PCH) SP ← (SP) + 1; Pull (PCL)	—	—	—	—	—	INH	81		6
SBC # <i>opr</i> SBC <i>opr</i> SBC <i>opr</i> SBC <i>opr,X</i> SBC <i>opr,X</i> SBC ,X	Subtract Memory Byte and Carry Bit from Accumulator	A ← (A) – (M) – (C)	—	—	↑	↑	↑	IMM DIR EXT IX2 IX1 IX	A2 B2 C2 D2 E2 F2	ii dd hh ll ee ff ff	2 3 4 5 4 3
SEC	Set Carry Bit	C ← 1	—	—	—	—	1	INH	99		2
SEI	Set Interrupt Mask	I ← 1	—	1	—	—	—	INH	9B		2
STA <i>opr</i> STA <i>opr</i> STA <i>opr,X</i> STA <i>opr,X</i> STA ,X	Store Accumulator in Memory	M ← (A)	—	—	↑	↑	—	DIR EXT IX2 IX1 IX	B7 C7 D7 E7 F7	dd hh ll ee ff ff	4 5 6 5 4
STOP	Stop Oscillator and Enable IRQ Pin		—	0	—	—	—	INH	8E		2
STX <i>opr</i> STX <i>opr</i> STX <i>opr,X</i> STX <i>opr,X</i> STX ,X	Store Index Register In Memory	M ← (X)	—	—	↑	↑	—	DIR EXT IX2 IX1 IX	BF CF DF EF FF	dd hh ll ee ff ff	4 5 6 5 4
SUB # <i>opr</i> SUB <i>opr</i> SUB <i>opr</i> SUB <i>opr,X</i> SUB <i>opr,X</i> SUB ,X	Subtract Memory Byte from Accumulator	A ← (A) – (M)	—	—	↑	↑	↑	IMM DIR EXT IX2 IX1 IX	A0 B0 C0 D0 E0 F0	ii dd hh ll ee ff ff	2 3 4 5 4 3
SWI	Software Interrupt	PC ← (PC) + 1; Push (PCL) SP ← (SP) – 1; Push (PCH) SP ← (SP) – 1; Push (X) SP ← (SP) – 1; Push (A) SP ← (SP) – 1; Push (CCR) SP ← (SP) – 1; I ← 1 PCH ← Interrupt Vector High Byte PCL ← Interrupt Vector Low Byte	—	1	—	—	—	INH	83		1 0
TAX	Transfer Accumulator to Index Register	X ← (A)	—	—	—	—	—	INH	97		2

Table 11-6. Instruction Set Summary (Sheet 6 of 6)

Source Form	Operation	Description	Effect on CCR					Address Mode	Opcode	Operand	Cycles
			H	I	N	Z	C				
TST <i>opr</i> TSTA TSTX TST <i>opr</i> ,X TST ,X	Test Memory Byte for Negative or Zero	(M) – \$00	—	—	↓	↓	—	DIR INH INH IX1 IX	3D 4D 5D 6D 7D	dd ff	4 3 3 5 4
TXA	Transfer Index Register to Accumulator	A ← (X)	—	—	—	—	—	INH	9F		2
WAIT	Stop CPU Clock and Enable Interrupts		—	0	—	—	—	INH	8F		2

- |          |   |            |                                      |
|----------|---|------------|--------------------------------------|
| A        | Accumulator   | <i>opr</i> | Operand (one or two bytes)           |
| C        | Carry/borrow flag   | PC         | Program counter                      |
| CCR      | Condition code register   | PCH        | Program counter high byte            |
| dd       | Direct address of operand   | PCL        | Program counter low byte             |
| dd rr    | Direct address of operand and relative offset of branch instruction | REL        | Relative addressing mode             |
| DIR      | Direct addressing mode  | <i>rel</i> | Relative program counter offset byte |
| ee ff    | High and low bytes of offset in indexed, 16-bit offset addressing   | rr         | Relative program counter offset byte |
| EXT      | Extended addressing mode  | SP         | Stack pointer                        |
| ff       | Offset byte in indexed, 8-bit offset addressing                     | X          | Index register                       |
| H        | Half-carry flag   | Z          | Zero flag                            |
| hh ll    | High and low bytes of operand address in extended addressing        | #          | Immediate value                      |
| I        | Interrupt mask  | ^          | Logical AND                          |
| ii       | Immediate operand byte  | ∨          | Logical OR                           |
| IMM      | Immediate addressing mode   | ⊕          | Logical EXCLUSIVE OR                 |
| INH      | Inherent addressing mode  | ( )        | Contents of                          |
| IX       | Indexed, no offset addressing mode                                  | -( )       | Negation (two's complement)          |
| IX1      | Indexed, 8-bit offset addressing mode                               | ←          | Loaded with                          |
| IX2      | Indexed, 16-bit offset addressing mode                              | ?          | If                                   |
| M        | Memory location   | :          | Concatenated with                    |
| N        | Negative flag   | ↓          | Set or cleared                       |
| <i>n</i> | Any bit   | —          | Not affected                         |

## 11.6 Opcode Map

See [Table 11-7](#).

Instruction Set

**Table 11-7. Opcode Map**

MSB LSB	Bit Manipulation			Read-Modify-Write				Control			Register/Memory							
	DIR	DIR	REL	DIR	INH	INH	INH	IX1	IX	INH	INH	IMM	DIR	EXT	IX2	IX1	IX	MSB LSB
0	3	5	3	5	3	4	5	6	7	8	9	A	B	C	D	E	F	0
	BRSET0 DIR2	BSET0 DIR2	BRA REL2	NEG DIR1	NEGA INH1	3	NEGX INH1	6	NEG IX11	5	RTI INH	2	SUB IMM2	SUB EXT3	SUB IX22	SUB IX11	SUB IX	0
1	3	5	3	5	3					6	RTS INH	2	CMP IMM2	CMP EXT3	CMP IX22	CMP IX11	CMP IX	1
2	3	5	3	5	3							2	SBC IMM2	SBC EXT3	SBC IX22	SBC IX11	SBC IX	2
3	3	5	3	5	3	5	COMA DIR1	6	COM IX11	10	SWI INH	2	CPX IMM2	CPX EXT3	CPX IX22	CPX IX11	CPX IX	3
4	3	5	3	5	3	5	LSRA DIR1	6	LSR IX11	5		2	AND IMM2	AND EXT3	AND IX22	AND IX11	AND IX	4
5	3	5	3	5	3							2	BIT IMM2	BIT EXT3	BIT IX22	BIT IX11	BIT IX	5
6	3	5	3	5	3	5	RORA DIR1	6	ROR IX11	5		2	LDA IMM2	LDA EXT3	LDA IX22	LDA IX11	LDA IX	6
7	3	5	3	5	3	5	ASRA DIR1	6	ASR IX11	5	TAX INH	2	STA IMM2	STA EXT3	STA IX22	STA IX11	STA IX	7
8	3	5	3	5	3	5	ASL/LSL DIR1	6	ASL/LSL IX11	5	CLC INH	2	EOR IMM2	EOR EXT3	EOR IX22	EOR IX11	EOR IX	8
9	3	5	3	5	3	5	ROLA DIR1	6	ROL IX11	5	SEC INH	2	ADC IMM2	ADC EXT3	ADC IX22	ADC IX11	ADC IX	9
A	3	5	3	5	3	5	DECA DIR1	6	DEC IX11	5	CLI INH	2	ORA IMM2	ORA EXT3	ORA IX22	ORA IX11	ORA IX	A
B	3	5	3	5	3							2	ADD IMM2	ADD EXT3	ADD IX22	ADD IX11	ADD IX	B
C	3	5	3	5	3	5	INCA DIR1	6	INC IX11	5	RSP INH	2	JMP IMM2	JMP EXT3	JMP IX22	JMP IX11	JMP IX	C
D	3	5	3	5	3	5	TSTA DIR1	6	TST IX11	4	NOP INH	2	BSR REL2	BSR EXT3	BSR IX22	BSR IX11	BSR IX	D
E	3	5	3	5	3					2	STOP INH	2	LDX IMM2	LDX EXT3	LDX IX22	LDX IX11	LDX IX	E
F	3	5	3	5	3	5	CLRA DIR1	6	CLR IX11	2	TXA INH	2	STX IMM2	STX EXT3	STX IX22	STX IX11	STX IX	F

INH = Inherent  
IMM = Immediate  
DIR = Direct  
EXT = Extended

REL = Relative  
IX = Indexed, No Offset  
IX1 = Indexed, 8-Bit Offset  
IX2 = Indexed, 16-Bit Offset

MSB of Opcode in Hexadecimal  
0

MSB of Opcode in Hexadecimal  
0

LSB of Opcode in Hexadecimal  
0

LSB of Opcode in Hexadecimal  
0

Number of Cycles  
OpCode Mnemonic  
Number of Bytes/Addressing Mode

Number of Cycles  
OpCode Mnemonic  
Number of Bytes/Addressing Mode

## **Section 12. Electrical Specifications**

### **12.1 Contents**

12.2	Introduction . . . . .	117
12.3	Maximum Ratings . . . . .	118
12.4	Operating Temperature Range . . . . .	118
12.5	Thermal Characteristics . . . . .	119
12.6	Power Considerations . . . . .	119
12.7	Equivalent Pin Loading . . . . .	120
12.8	5.0-Volt DC Electrical Characteristics . . . . .	121
12.9	3.3-Volt DC Electrical Characteristics . . . . .	122
12.10	5.0-Volt Control Timing . . . . .	126
12.11	3.3-Volt Control Timing . . . . .	127
12.12	Typical Oscillator Characteristics . . . . .	130

### **12.2 Introduction**

This section contains electrical and timing specifications.

### 12.3 Maximum Ratings

Maximum ratings are the extreme limits to which the MCU can be exposed without permanently damaging it.

The MCU contains circuitry to protect the inputs against damage from high static voltages; however, do not apply voltages higher than those shown in the table here. Keep  $V_{In}$  and  $V_{Out}$  within the range  $V_{SS} \leq (V_{In} \text{ or } V_{Out}) \leq V_{DD}$ . Connect unused inputs to the appropriate voltage level, either  $V_{SS}$  or  $V_{DD}$ .

Rating <sup>(1)</sup>	Symbol	Value	Unit
Supply voltage	$V_{DD}$	-0.3 to +7.0	V
Input voltage	$V_{In}$	$V_{SS} - 0.3$ to $V_{DD} + 0.3$	V
EPROM programming voltage	$V_{PP}$	$V_{DD} - 0.3$ to 16.0	
Current drain per pin excluding $V_{DD}$ and $V_{SS}$	I	25	mA
Storage temperature range	$T_{STG}$	-65 to +150	°C

1. Voltages referenced to  $V_{SS}$

**NOTE:** This device is not guaranteed to operate properly at the maximum ratings. Refer to **12.8 5.0-Volt DC Electrical Characteristics** and **12.9 3.3-Volt DC Electrical Characteristics** for guaranteed operating conditions.

### 12.4 Operating Temperature Range

Rating <sup>(1)</sup>	Symbol	Value	Unit
Operating temperature range <sup>(2)</sup> MC68HC705K1P, DW, S MC68HC705K1CP, CDW, CS	$T_A$	$T_L$ to $T_H$ -40 to +85	°C

1. Voltages referenced to  $V_{SS}$
2. P = Plastic dual in-line package (PDIP)  
DW = Small outline integrated circuit (SOIC)  
S = Ceramic dual in-line package (cerdip)  
C = Extended temperature range (-40°C to +85°C)

## 12.5 Thermal Characteristics

Characteristic	Symbol	Value	Unit
Maximum junction temperature	$T_J$	150	$^{\circ}\text{C}$
Thermal resistance MC68HC705K1P <sup>(1)</sup> MC68HC705K1DW <sup>(2)</sup>	$\theta_{JA}$	100 140	$^{\circ}\text{C}/\text{W}$

1. P = Plastic dual in-line package (PDIP)
2. DW = Small outline integrated circuit (SOIC)

## 12.6 Power Considerations

The average chip junction temperature,  $T_J$ , in  $^{\circ}\text{C}$  can be obtained from:

$$T_J = T_A + (P_D \times \theta_{JA}) \quad (1)$$

Where:

- $T_A$  = ambient temperature in  $^{\circ}\text{C}$
- $\theta_{JA}$  = package thermal resistance, junction to ambient in  $^{\circ}\text{C}/\text{W}$
- $P_D = P_{INT} + P_{I/O}$
- $P_{INT} = I_{CC} \times V_{CC}$  = chip internal power dissipation
- $P_{I/O}$  = power dissipation on input and output pins (user-determined)

For most applications,  $P_{I/O} < P_{INT}$  and can be neglected.

Ignoring  $P_{I/O}$ , the relationship between  $P_D$  and  $T_J$  is approximately:

$$P_D = \frac{K}{T_J + 273^{\circ}\text{C}} \quad (2)$$

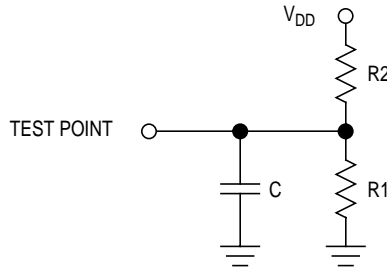
Solving equations (1) and (2) for K gives:

$$= P_D \times (T_A + 273^{\circ}\text{C}) + \theta_{JA} \times (P_D)^2 \quad (3)$$

where K is a constant pertaining to the particular part. K can be determined from equation (3) by measuring  $P_D$  (at equilibrium) for a known  $T_A$ . Using this value of K, the values of  $P_D$  and  $T_J$  can be obtained by solving equations (1) and (2) iteratively for any value of  $T_A$ .

### 12.7 Equivalent Pin Loading

Figure 12-1 shows the equivalent input/output (I/O) pin loading for test purposes.



PINS	V <sub>DD</sub>	R1	R2	C
PA3–PA0, PB1–PB0	4.5 V	3.26 kΩ	2.38 kΩ	50 pF
PA7–PA4		470 Ω	2.38 kΩ	50 pF
PA3–PA0, PB1–PB0	3.0 V	10.91 kΩ	6.32 kΩ	50 pF

Figure 12-1. Equivalent Test Load



## 12.8 5.0-Volt DC Electrical Characteristics

Characteristic <sup>(1)</sup>	Symbol	Min	Typ <sup>(2)</sup>	Max	Unit
Output voltage $I_{Load} = 10.0 \mu A$ $I_{Load} = -10.0 \mu A$	$V_{OL}$ $V_{OH}$	— $V_{DD} - 0.1$	— —	0.1 —	V
Output high voltage, $I_{Load} = -0.8 \text{ mA}$ PA7–PA0, PB1/OSC3, PB0	$V_{OH}$	$V_{DD} - 0.8$	—	—	V
Output low voltage $I_{Load} = 1.6 \text{ mA}$ , PA3–PA0, PB1/OSC3, PB0 $I_{Load} = 8.0 \text{ mA}$ , PC7–PC4	$V_{OL}$	— —	— —	0.4 0.4	V
Input high voltage PA7–PA0, PB1/OSC3, PB0, $\overline{IRQ}/V_{PP}$ , $\overline{RESET}$ , OSC1	$V_{IH}$	$0.7 \times V_{DD}$	—	$V_{DD}$	V
Input low voltage PA7–PA0, PB1/OSC3, PB0, $\overline{IRQ}/V_{PP}$ , $\overline{RESET}$ , OSC1	$V_{IL}$	$V_{SS}$	—	$0.2 \times V_{DD}$	V
Supply current Run <sup>(3)</sup> Wait <sup>(4)</sup> Stop <sup>(5)</sup> 25°C 0°C to +70°C (standard) –40°C to +85°C (extended)	$I_{DD}$	— — — — —	2.6 0.9 200 700 1000	— — — — —	mA mA nA nA nA
I/O ports hi-z leakage current PA7–PA0, PB1/OSC3, PB0 (pulldown devices off)	$I_{OZ}$	—	—	$\pm 10$	$\mu A$
Input pulldown current PA7–PA0, PB1/OSC3, PB0 (pulldown devices on)	$I_{IL}$	50	75	200	$\mu A$
Input current $\overline{IRQ}/V_{PP}$ , OSC1 $\overline{RESET}$ (pulldown devices off) $\overline{RESET}$ (pulldown devices on)	$I_{In}$	— — 1.0	— — 4.0	$\pm 1$ $\pm 1$ 8.0	$\mu A$ $\mu A$ mA
Capacitance Ports (input or output) $\overline{RESET}$ , $\overline{IRQ}/V_{PP}$	$C_{Out}$ $C_{In}$	— —	— —	12 8	pF
Low-voltage reset threshold <sup>(6)</sup>	$V_{LVR}$	2.8	3.5	4.5	V
Oscillator internal resistor (OSC1 to OSC2)	$R_{OSC}$	1.0	2.0	3.0	M $\Omega$
Programming voltage <sup>(7)</sup>	$V_{PP}$	17.0	17.5	18.0	V
Programming current	$I_{PP}$	—	5	10	mA

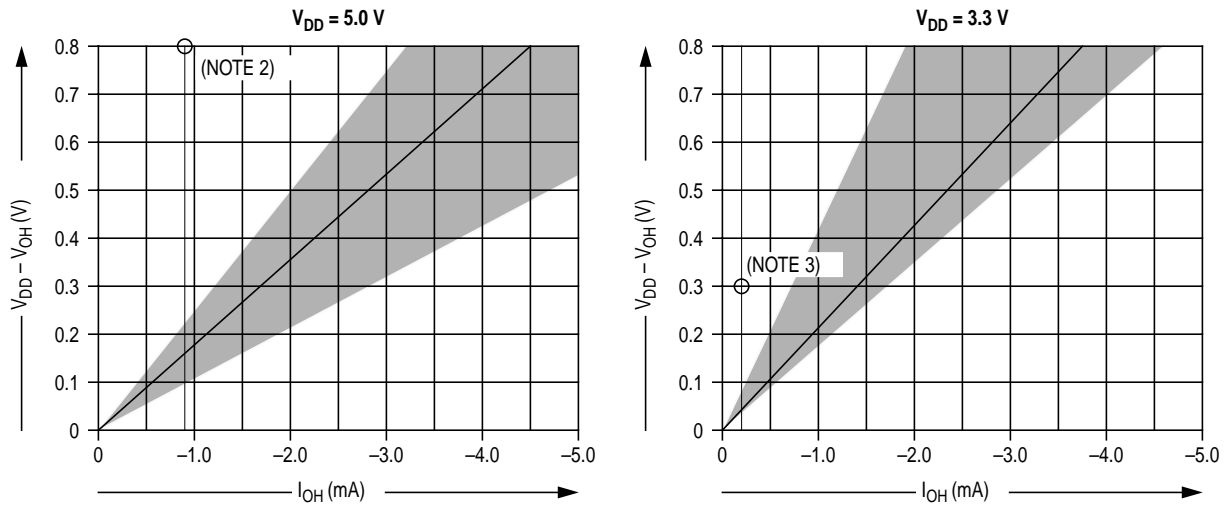
- $V_{DD} = 5.0 \text{ V} \pm 10\%$ ;  $V_{SS} = 0 \text{ Vdc}$ ,  $T_A = T_L$  to  $T_H$ , unless otherwise noted
- Typical values reflect average measurements at midpoint of voltage range at 25°C.
- Run (operating)  $I_{DD}$  measured using external square wave clock source ( $f_{OSC} = 4.2 \text{ MHz}$ ). All inputs 0.2 V from rail. No dc loads. Less than 50 pF on all outputs.  $C_L = 20 \text{ pF}$  on OSC2.
- Wait  $I_{DD}$  measured using external square wave clock source ( $f_{OSC} = 4.2 \text{ MHz}$ ). All inputs 0.2 V from rail. No dc loads. Less than 50 pF on all outputs.  $C_L = 20 \text{ pF}$  on OSC2.  $V_{IL} = 0.2 \text{ V}$ ,  $V_{IH} = V_{DD} - 0.2 \text{ V}$ . OSC2 capacitance linearly affects wait  $I_{DD}$ .
- Stop  $I_{DD}$  measured with OSC1 =  $V_{DD}$ . All ports configured as inputs.  $V_{IL} = 0.2 \text{ V}$ ,  $V_{IH} = V_{DD} - 0.2 \text{ V}$ . With low-voltage reset enabled, stop  $I_{DD}$  can be as high as 25  $\mu A$ .
- All MCUs guaranteed to operate at  $V_{DD} = 5 \text{ V} \pm 10\%$ . Each MCU guaranteed to operate at its  $V_{LVR}$ .
- Programming voltage measured at  $\overline{IRQ}/V_{PP}$  pin.

Electrical Specifications

12.9 3.3-Volt DC Electrical Characteristics

Characteristic <sup>(1)</sup>	Symbol	Min	Typ <sup>(2)</sup>	Max	Unit
Output voltage $I_{Load} = 10.0 \mu A$ $I_{Load} = -10.0 \mu A$	$V_{OL}$ $V_{OH}$	— $V_{DD} - 0.1$	— —	0.1 —	V
Output high voltage, $I_{Load} = -0.4 \text{ mA}$ PA7–PA0, PB1/OSC3, PB0	$V_{OH}$	$V_{DD} - 0.3$	—	—	V
Output low voltage $I_{Load} = 0.4 \text{ mA}$ , PA3–PA0, PB1/OSC3, PB0 $I_{Load} = 3.0 \text{ mA}$ , PC7–PC4	$V_{OL}$	— —	— —	0.3 0.3	V
Input high voltage PA7–PA0, PB1/OSC3, PB0, $\overline{IRQ}/V_{PP}$ , $\overline{RESET}$ , OSC1	$V_{IH}$	$0.7 \times V_{DD}$	—	$V_{DD}$	V
Input low voltage PA7–PA0, PB1/OSC3, PB0, $\overline{IRQ}/V_{PP}$ , $\overline{RESET}$ , OSC1	$V_{IL}$	$V_{SS}$	—	$0.2 \times V_{DD}$	V
Supply current Run <sup>(3)</sup> Wait <sup>(4)</sup> Stop <sup>(5)</sup> 25°C 0°C to +70°C (standard) –40°C to +85°C (extended)	$I_{DD}$	— — — — —	0.7 300 50 500 1000	— — — — —	mA $\mu A$ nA nA nA
I/O ports hi-z leakage current PA7–PA0, PB1/OSC3, PB0 (pulldown devices off)	$I_{OZ}$	—	—	$\pm 10$	$\mu A$
Input pulldown current PA7–PA0, PB1/OSC3, PB0 (pulldown devices on)	$I_{IL}$	10	20	100	$\mu A$
Input current $\overline{IRQ}/V_{PP}$ , OSC1 $\overline{RESET}$ (pulldown devices off) $\overline{RESET}$ (pulldown devices on)	$I_{In}$	— — 0.2	— — 2.0	$\pm 1$ $\pm 1$ 4.0	$\mu A$ $\mu A$ mA
Capacitance Ports (input or output) $\overline{RESET}$ , $\overline{IRQ}/V_{PP}$	$C_{Out}$ $C_{In}$	— —	— —	12 8	pF
Oscillator internal resistor (OSC1 to OSC2)	$R_{OSC}$	1.0	2.0	3.0	M $\Omega$

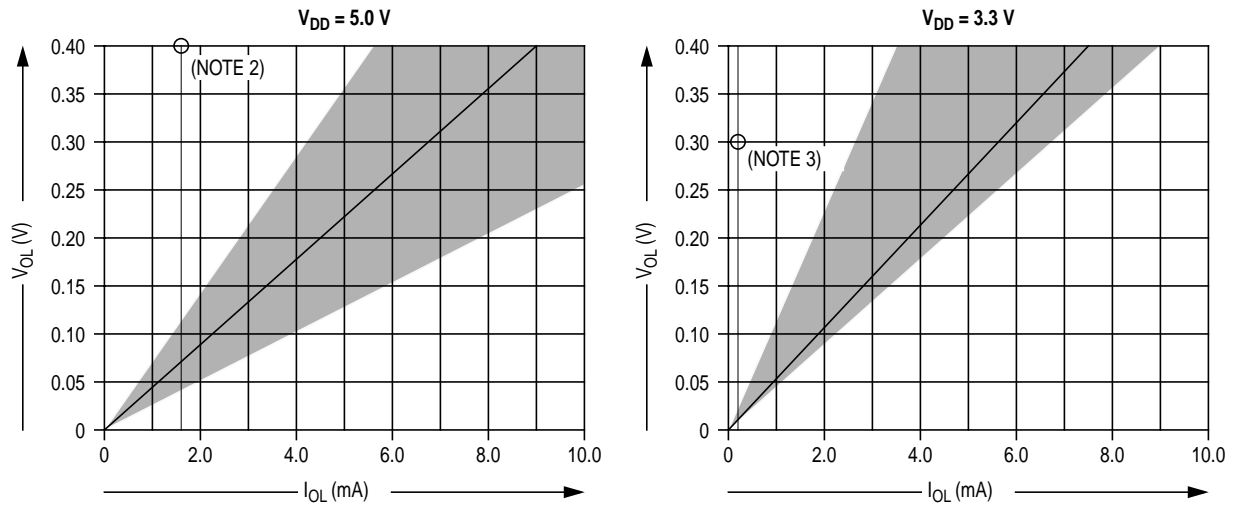
- $V_{DD} = 3.3 \text{ V} \pm 10\%$ ;  $V_{SS} = 0 \text{ Vdc}$ ,  $T_A = T_L$  to  $T_H$ , unless otherwise noted
- Typical values reflect average measurements at midpoint of voltage range at 25°C.
- Run (operating)  $I_{DD}$  measured using external square wave clock source ( $f_{OSC} = 2.0 \text{ MHz}$ ). All inputs 0.2 V from rail. No dc loads. Less than 50 pF on all outputs.  $C_L = 20 \text{ pF}$  on OSC2.
- Wait  $I_{DD}$  measured using external square wave clock source ( $f_{OSC} = 2.0 \text{ MHz}$ ). All inputs 0.2 V from rail. No dc loads. Less than 50 pF on all outputs.  $C_L = 20 \text{ pF}$  on OSC2.  $V_{IL} = 0.2 \text{ V}$ ,  $V_{IH} = V_{DD} - 0.2 \text{ V}$ . OSC2 capacitance linearly affects wait  $I_{DD}$ .
- Stop  $I_{DD}$  measured with OSC1 =  $V_{DD}$ . All ports configured as inputs.  $V_{IL} = 0.2 \text{ V}$ ,  $V_{IH} = V_{DD} - 0.2 \text{ V}$ . With low-voltage reset enabled, stop  $I_{DD}$  can be as high as 25  $\mu A$ .



Notes:

1. Shaded area indicates variation in driver characteristics due to changes in temperature and for normal processing tolerances. Within the limited range of values shown, V versus I curves are approximately straight lines.
2. At  $V_{DD} = 5.0\text{ V}$ , devices are specified and tested for  $V_{OL} \leq 800\text{ mV}$  @  $I_{OL} = -0.8\text{ mA}$ .
3. At  $V_{DD} = 3.3\text{ V}$ , devices are specified and tested for  $V_{OL} \leq 300\text{ mV}$  @  $I_{OL} = -0.2\text{ mA}$ .

Figure 12-2. Typical High-Side Driver Characteristics



Notes:

1. Shaded area indicates variation in driver characteristics due to changes in temperature and for normal processing tolerances. Within the limited range of values shown, V versus I curves are approximately straight lines.
2. At  $V_{DD} = 5.0\text{ V}$ , devices are specified and tested for  $V_{OL} \leq 400\text{ mV}$  @  $I_{OL} = 1.6\text{ mA}$ .
3. At  $V_{DD} = 3.3\text{ V}$ , devices are specified and tested for  $V_{OL} \leq 300\text{ mV}$  @  $I_{OL} = 0.4\text{ mA}$ .

Figure 12-3. Typical Low-Side Driver Characteristics

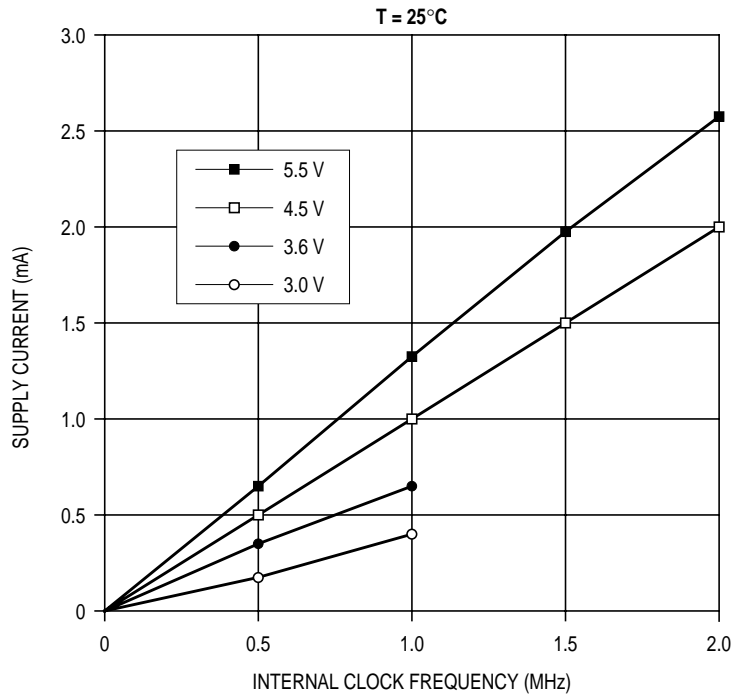


Figure 12-4. Run  $I_{DD}$  versus Internal Clock Frequency

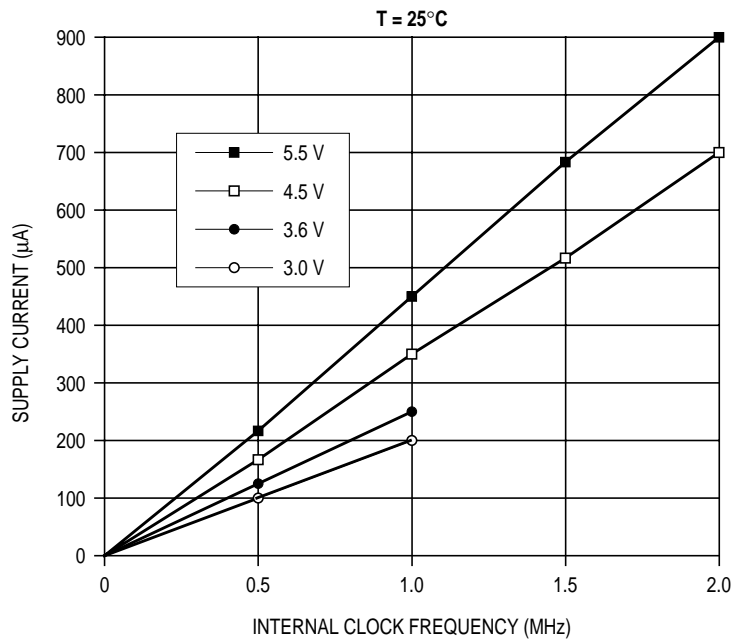


Figure 12-5. Wait  $I_{DD}$  versus Internal Clock Frequency

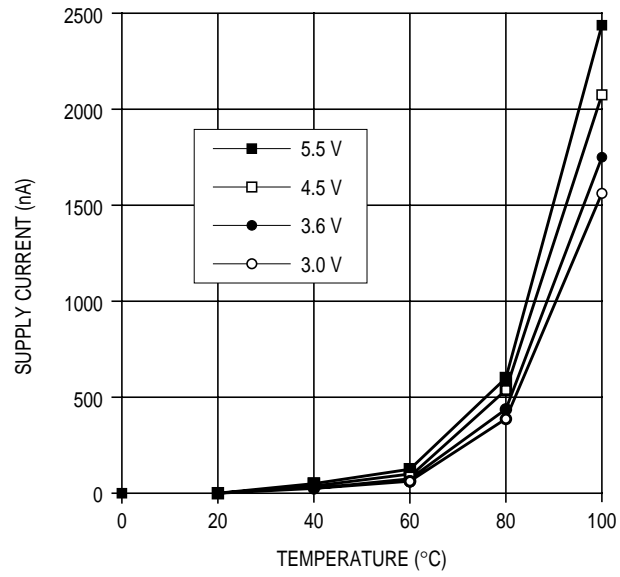


Figure 12-6. Stop  $I_{DD}$  versus Temperature

Electrical Specifications

12.10 5.0-Volt Control Timing

Characteristic <sup>(1)</sup>	Symbol	Min	Max	Unit
Oscillator frequency 3-pin RC oscillator 2-pin RC oscillator Crystal/ceramic resonator <sup>(2)</sup> External clock	f <sub>OSC</sub>	(3) (3) 0.500 dc	1.2 2.4 4.0 4.0	MHz
Internal operating frequency (f <sub>OSC</sub> ÷ 2) 3-pin RC oscillator 2-pin RC oscillator Crystal/ceramic resonator External clock	f <sub>OP</sub>	(3) (3) 0.250 dc	0.6 1.2 2.0 2.0	MHz
2-pin RC oscillator frequency combined stability <sup>(4)</sup> f <sub>OSC</sub> = 2.0 MHz; V <sub>DD</sub> = 5.0 Vdc ±10%; T <sub>A</sub> = -40°C to +85°C f <sub>OSC</sub> = 2.0 MHz; V <sub>DD</sub> = 5.0 Vdc ±10%; T <sub>A</sub> = 0°C to +40°C	Δf <sub>OSC</sub>	— —	±25 ±20	%
3-pin RC oscillator frequency combined stability <sup>(4)</sup> f <sub>OSC</sub> = 1.0 MHz; V <sub>DD</sub> = 5.0 Vdc ±10%; T <sub>A</sub> = -40°C to +85°C f <sub>OSC</sub> = 1.0 MHz; V <sub>DD</sub> = 5.0 Vdc ±10%; T <sub>A</sub> = 0°C to +40°C	Δf <sub>OSC</sub>	— —	±15 ±10	%
Cycle time (1 ÷ f <sub>OP</sub> )	t <sub>CYC</sub>	500	—	ns
RC oscillator stabilization time	t <sub>RCON</sub>	—	1	ms
Crystal oscillator startup time	t <sub>OXON</sub>	—	100	ms
Stop recovery startup time	t <sub>ILCH</sub>	—	100	ms
RESET pulse width low	t <sub>RL</sub>	1.5	—	t <sub>CYC</sub>
Timer resolution <sup>(5)</sup>	t <sub>RESL</sub>	4.0	—	t <sub>CYC</sub>
IRQ interrupt pulse width low (edge-triggered)	t <sub>ILIH</sub>	250	—	ns
IRQ interrupt pulse period	t <sub>LIL</sub>	(6)	—	t <sub>CYC</sub>
PA3-PA0 interrupt pulse width high (edge-triggered)	t <sub>IHIL</sub>	250	—	ns
PA3-PA0 interrupt pulse period	t <sub>IHIH</sub>	(6)	—	t <sub>CYC</sub>
OSC1 pulse width	t <sub>OH</sub> , t <sub>OL</sub>	200	—	ns
Programming time per byte <sup>(7)</sup>	t <sub>EPGM</sub>	10	15	ms

1. V<sub>DD</sub> = 5.0 Vdc ±10%; V<sub>SS</sub> -0 Vdc; T<sub>A</sub> = T<sub>L</sub> to T<sub>H</sub>

2. Use only AT-cut crystals.

3. Minimum oscillator frequency with RC oscillator option is limited only by size of external R and C and leakage of external C.

4. Including processing tolerances and variations in temperature and supply voltage. Excluding tolerances of external R and C.

5. The 2-bit timer prescaler is the limiting factor in determining timer resolution.

6. The minimum period, t<sub>LIL</sub> or t<sub>IHIH</sub>, should not be less than the number of cycles it takes to execute the interrupt service routine plus 19 t<sub>CYC</sub>.

7. t<sub>EPGM</sub> is programming time per byte and may be accumulated during multiple programming passes.

### 12.11 3.3-Volt Control Timing

Characteristic <sup>(1)</sup>	Symbol	Min	Max	Unit
Oscillator frequency 3-pin RC oscillator 2-pin RC oscillator Crystal/ceramic resonator <sup>(2)</sup> External clock	$f_{OSC}$	(3) (3) 0.500 dc	1.2 2.0 2.0 2.0	MHz
Internal operating frequency ( $f_{OSC} \div 2$ ) 3-pin RC oscillator 2-pin RC oscillator Crystal/ceramic resonator External clock	$f_{OP}$	(3) (3) 0.250 dc	0.6 1.0 1.0 1.0	MHz
2-pin RC oscillator frequency combined stability <sup>(4)</sup> $f_{OSC} = 2.0$ MHz; $V_{DD} = 3.3$ Vdc $\pm 10\%$ ; $T_A = -40^\circ\text{C}$ to $+85^\circ\text{C}$ $f_{OSC} = 2.0$ MHz; $V_{DD} = 3.3$ Vdc $\pm 10\%$ ; $T_A = 0^\circ\text{C}$ to $+40^\circ\text{C}$	$\Delta f_{OSC}$	— —	$\pm 40$ $\pm 30$	%
3-pin RC oscillator frequency combined stability <sup>(4)</sup> $f_{OSC} = 1.0$ MHz; $V_{DD} = 3.3$ Vdc $\pm 10\%$ ; $T_A = -40^\circ\text{C}$ to $+85^\circ\text{C}$ $f_{OSC} = 1.0$ MHz; $V_{DD} = 3.3$ Vdc $\pm 10\%$ ; $T_A = 0^\circ\text{C}$ to $+40^\circ\text{C}$	$\Delta f_{OSC}$	— —	$\pm 20$ $\pm 15$	%
Cycle time ( $1 \div f_{OP}$ )	$t_{CYC}$	1000	—	ns
RC oscillator stabilization time	$t_{RCON}$	—	1	ms
Crystal oscillator startup time	$t_{OXON}$	—	100	ms
Stop recovery startup time	$t_{ILCH}$	—	100	ms
$\overline{\text{RESET}}$ pulse width low	$t_{RL}$	1.5	—	$t_{CYC}$
Timer resolution <sup>(5)</sup>	$t_{RESL}$	4.0	—	$t_{CYC}$
$\overline{\text{IRQ}}$ interrupt pulse width low (edge-triggered)	$t_{ILIH}$	250	—	ns
$\overline{\text{IRQ}}$ interrupt pulse period	$t_{ILIL}$	(6)	—	$t_{CYC}$
PA3–PA0 interrupt pulse width high (edge-triggered)	$t_{IHIL}$	250	—	ns
PA3–PA0 interrupt pulse period	$t_{IHIH}$	(6)	—	$t_{CYC}$
OSC1 pulse width	$t_{OH}, t_{OL}$	200	—	ns

1.  $V_{DD} = 3.3$  Vdc  $\pm 10\%$ ;  $V_{SS} = 0$  Vdc;  $T_A = T_L$  to  $T_H$

2. Use only AT-cut crystals.

3. Minimum oscillator frequency with RC oscillator option is limited only by size of external R and C and leakage of external C.

4. Including processing tolerances and variations in temperature and supply voltage. Excluding tolerances of external R and C.

5. The 2-bit timer prescaler is the limiting factor in determining timer resolution.

6. The minimum period,  $t_{ILIL}$  or  $t_{IHIH}$ , should not be less than the number of cycles it takes to execute the interrupt service routine plus  $19 t_{CYC}$ .

Electrical Specifications

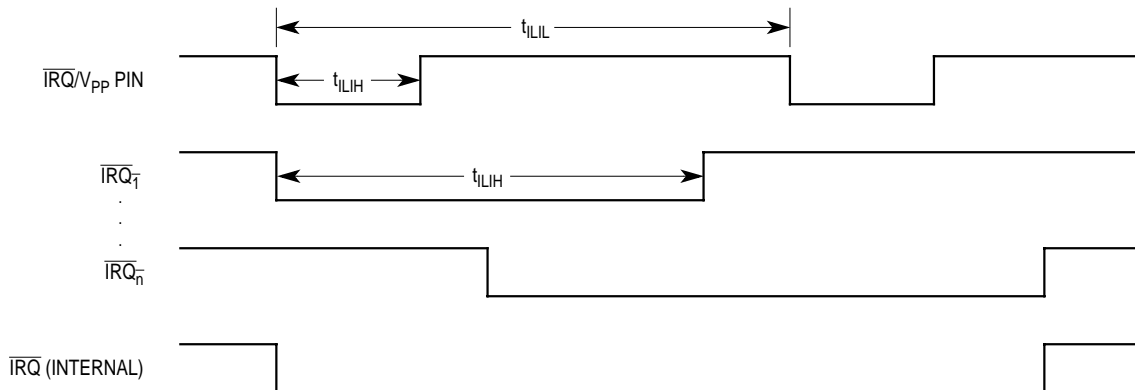
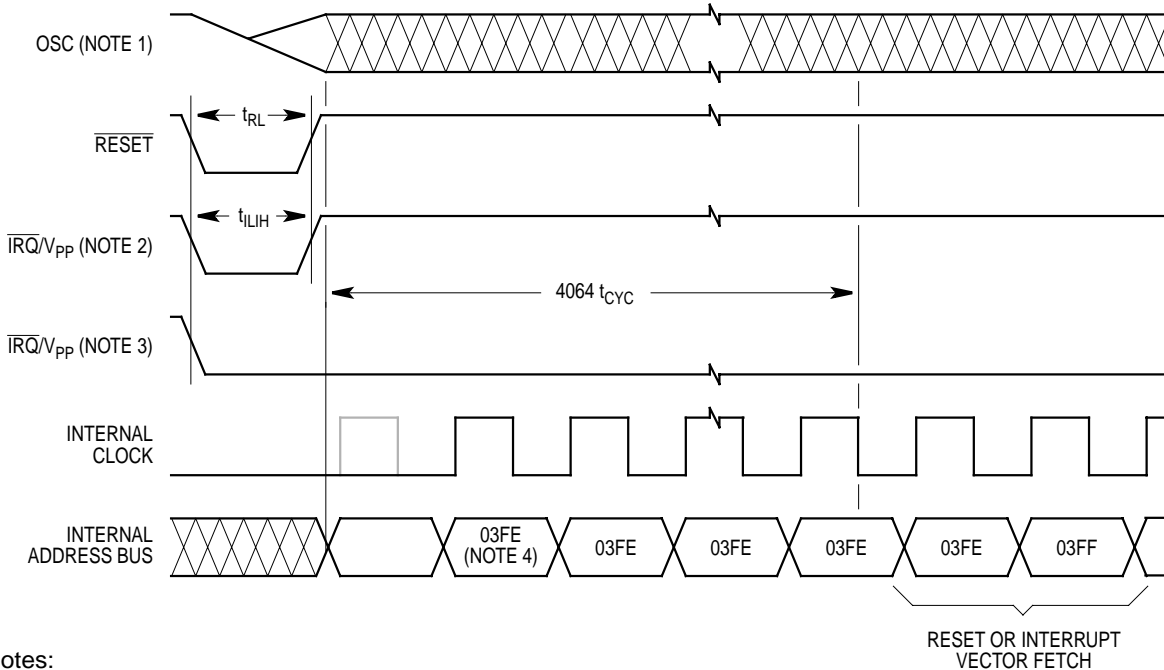


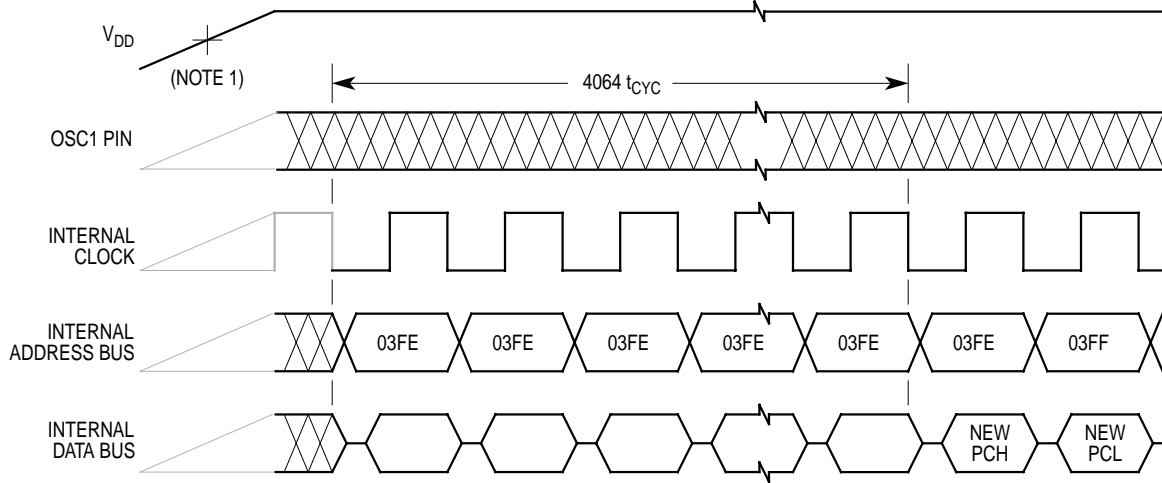
Figure 12-7. External Interrupt Timing



- Notes:
1. Internal clocking from OSC1 pin.
  2. Edge-triggered external interrupt mask option.
  3. Edge- and level-triggered external interrupt mask option.
  4. Reset vector shown as example.

Figure 12-8. Stop Mode Recovery Timing

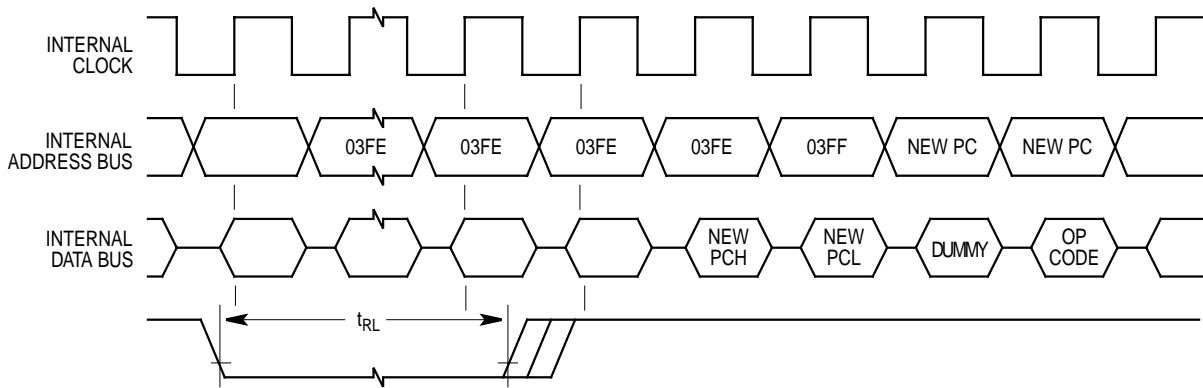




Notes:

1. Power-on reset threshold is typically between 1 V and 2 V.
2. Internal clock, internal address bus, and internal data bus are not available externally.

Figure 12-9. Power-On Reset Timing



Notes:

1. Internal clock, internal address bus, and internal data bus are not available externally.
2. The next rising edge of the internal clock after the rising edge of  $\overline{\text{RESET}}$  initiates the reset sequence.

Figure 12-10. External Reset Timing

12.12 Typical Oscillator Characteristics

Parameter		V <sub>DD</sub> = 3.0 V	V <sub>DD</sub> = 5.0 V	Units
Oscillator Type	Nominal Frequency			
<b>Frequency Variation (Part-to-Part)</b>				
2-pin RC oscillator	2 MHz	±12	±7	%
3-pin RC oscillator	1 MHz	±5	±4	
<b>Frequency Variation with Temperature</b>				
2-pin RC oscillator	2 MHz	-2100	-1600	ppm/°C
3-pin RC oscillator	1 MHz	-1100	-1100	
<b>Frequency Variation with Supply Voltage</b>				
2-pin RC oscillator	2 MHz	±1.0	±0.2	Δf/ΔV
3-pin RC oscillator	1 MHz	±0.3	±0.1	
<b>Cumulative Frequency Variations<sup>(1)</sup></b>				
2-pin RC oscillator	2 MHz	±36	±20	%
3-pin RC oscillator	1 MHz	±16	±13	

1. V<sub>DD</sub> ±10%; T<sub>A</sub> = -40°C to +85°C.

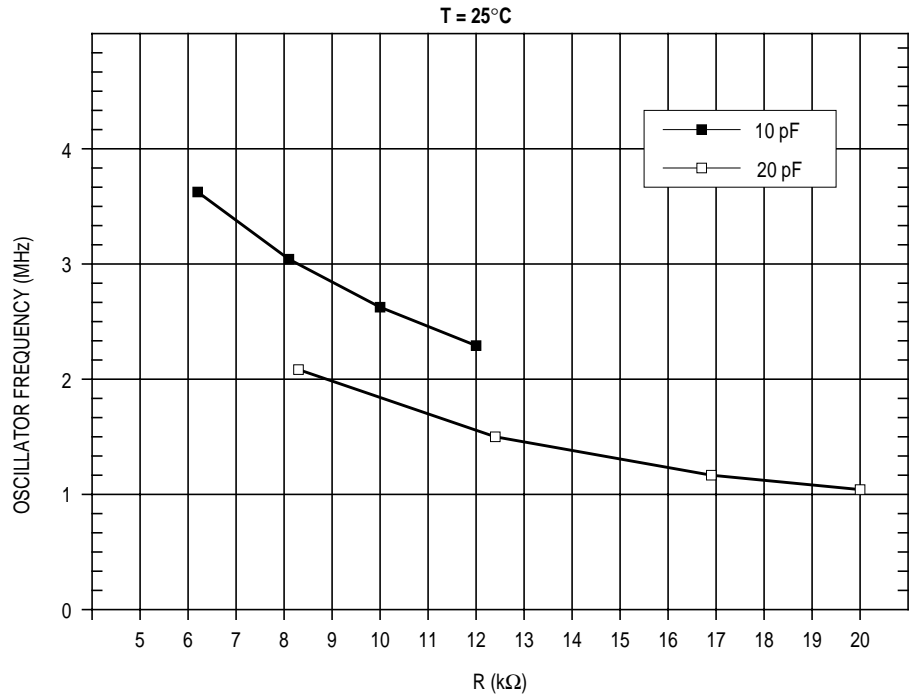


Figure 12-11. 2-Pin RC Oscillator R versus Frequency ( $V_{DD} = 5.0\text{ V}$ )

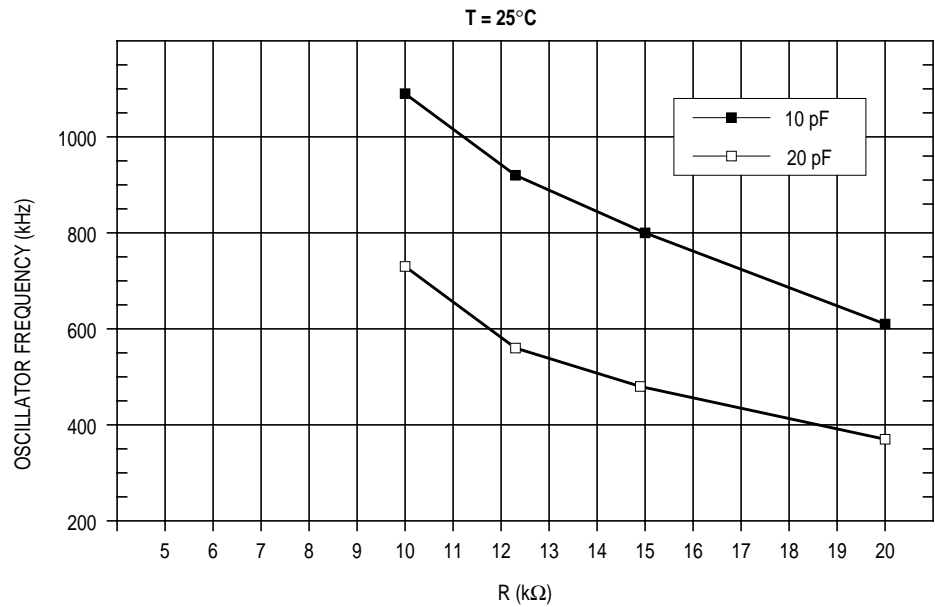


Figure 12-12. 3-Pin RC Oscillator R versus Frequency ( $V_{DD} = 5.0\text{ V}$ )

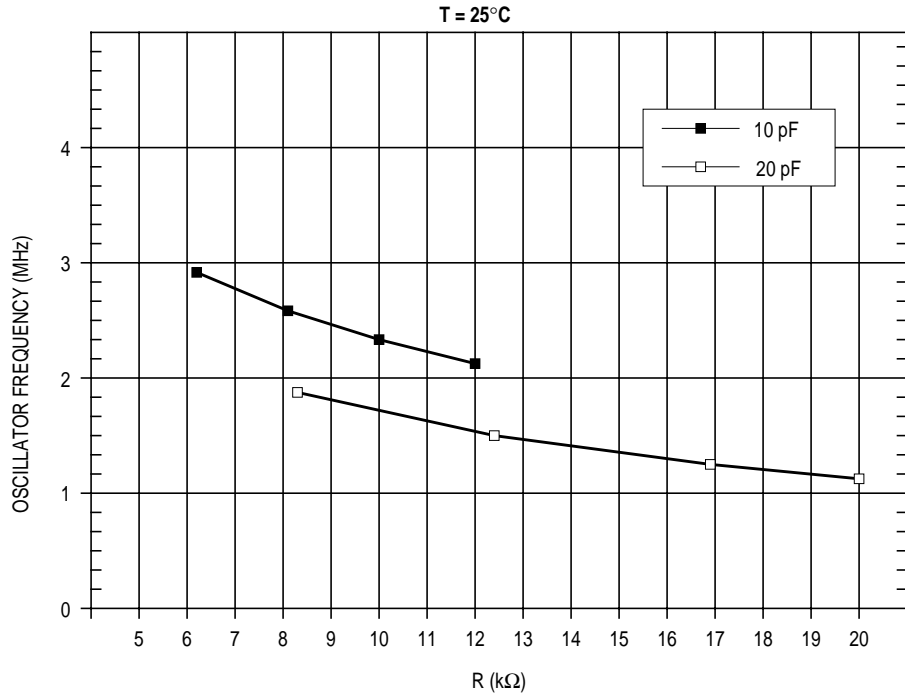


Figure 12-13. 2-Pin Oscillator R versus Frequency ( $V_{DD} = 3.0\text{ V}$ )

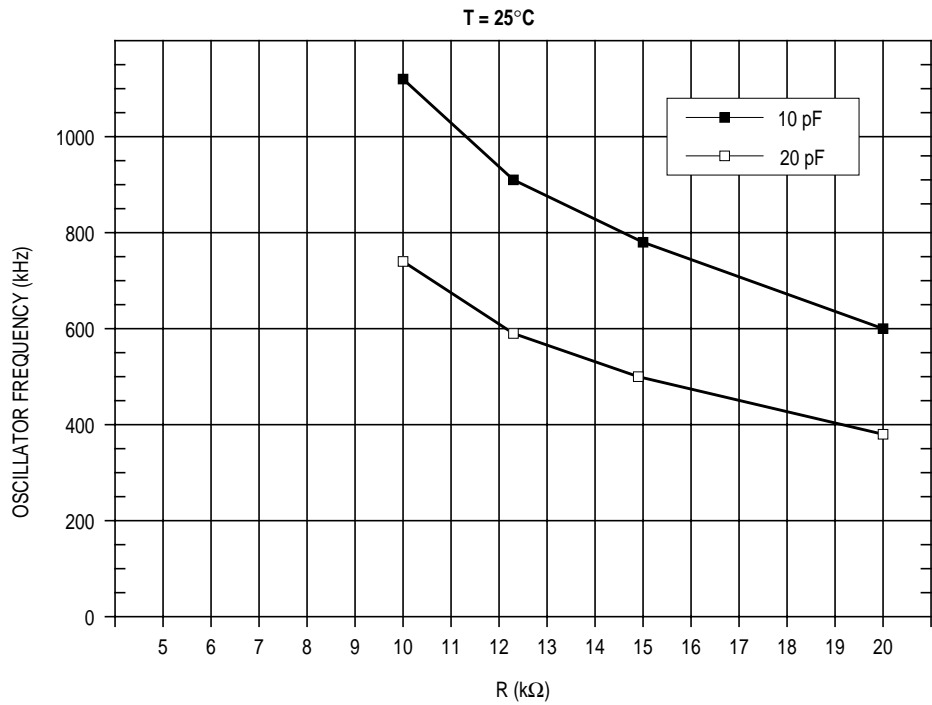


Figure 12-14. 3-Pin Oscillator R versus Frequency ( $V_{DD} = 3.0\text{ V}$ )

## **Section 13. Mechanical Specifications**

### **13.1 Contents**

13.2	Introduction . . . . .	133
13.3	Plastic Dual In-Line Package (Case 648) . . . . .	134
13.4	Small Outline Integrated Circuit (Case 751) . . . . .	134
13.5	Ceramic Dual In-Line Package (Case 620) . . . . .	135

### **13.2 Introduction**

Package dimensions available at the time of this publication for the MC68HC705K1 are provided in this section. The packages are:

- 16-pin plastic dual in-line package (PDIP)
- 16-pin small outline integrated circuit package (SOIC)
- 16-pin ceramic DIP (cerdip)

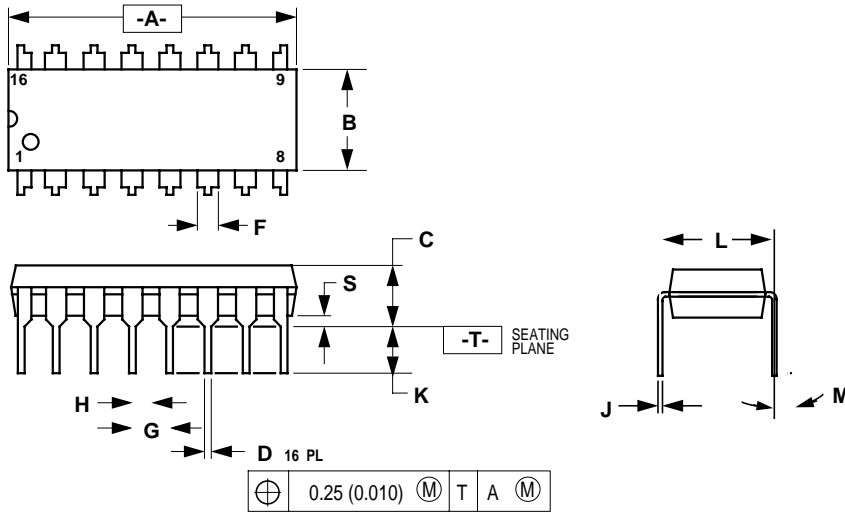
To make sure that you have the latest case outline specifications, contact one of the following:

- Local Motorola Sales Office
- Motorola Mfax
  - Phone 602-244-6609
  - EMAIL [rmfax0@email.sps.mot.com](mailto:rmfax0@email.sps.mot.com)
- Worldwide Web (wwweb) at <http://www.mcu.motsps.com>

Follow Mfax or wwweb on-line instructions to retrieve the current mechanical specifications.

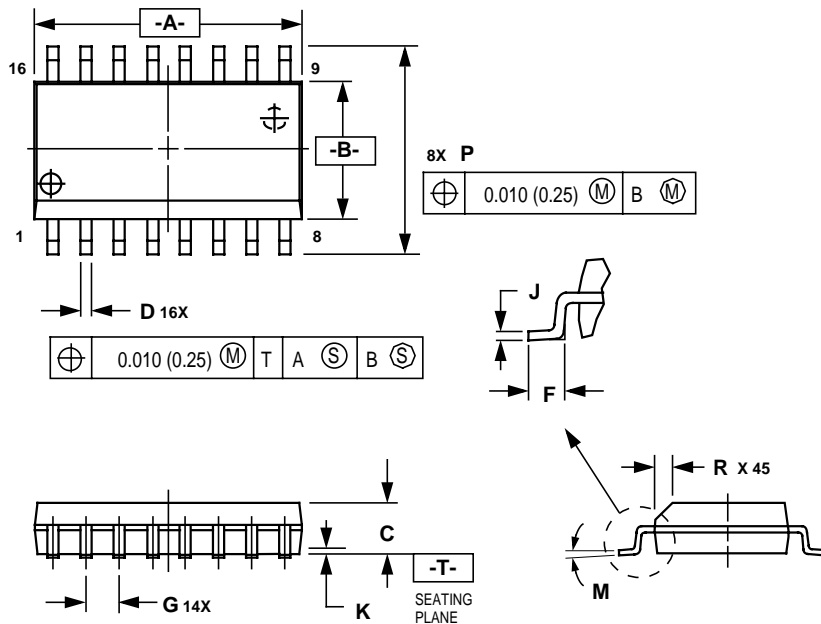
Mechanical Specifications

13.3 Plastic Dual In-Line Package (Case 648)



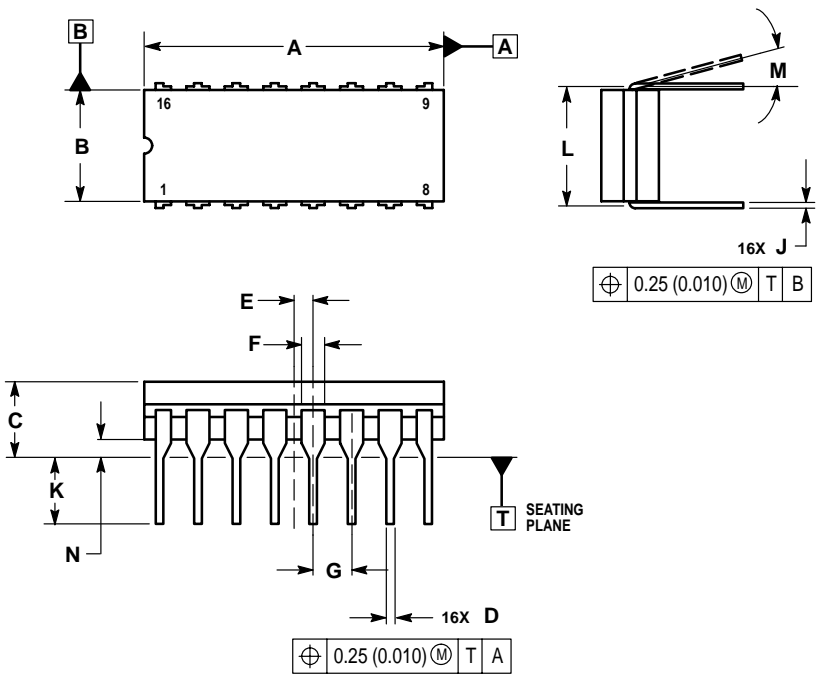
DIM	INCHES		MILLIMETERS	
	MIN	MAX	MIN	MAX
A	0.740	0.770	18.80	19.55
B	0.250	0.270	6.35	6.85
C	0.145	0.175	3.69	4.44
D	0.015	0.021	0.39	0.53
F	0.040	0.70	1.02	1.77
G	0.100 BSC		2.54 BSC	
H	0.050 BSC		1.27 BSC	
J	0.008	0.015	0.21	0.38
K	0.110	0.130	2.80	3.30
L	0.295	0.305	7.50	7.74
M	0°	10°	0°	10°
S	0.020	0.040	0.51	1.01

13.4 Small Outline Integrated Circuit (Case 751)



DIM	MILLIMETERS		INCHES	
	MIN	MAX	MIN	MAX
A	10.15	10.45	0.400	0.411
B	7.40	7.60	0.292	0.299
C	2.35	2.65	0.093	0.104
D	0.35	0.49	0.014	0.019
F	0.50	0.90	0.020	0.035
G	1.27 BSC		0.050 BSC	
J	0.25	0.32	0.010	0.012
K	0.10	0.25	0.004	0.009
M	0°	7°	0°	7°
P	10.05	10.55	0.395	0.415
R	0.25	0.75	0.010	0.029

13.5 Ceramic Dual In-Line Package (Case 620)



NOTES:

1. DIMENSIONING AND TOLERANCING PER ASME Y14.5M, 1994.
2. CONTROLLING DIMENSION: INCH.
3. DIMENSION L TO CENTER OF LEAD WHEN FORMED PARALLEL.
4. DIMENSION F MAY NARROW TO 0.76 (0.030) WHERE THE LEAD ENTERS THE CERAMIC BODY.

DIM	INCHES		MILLIMETERS	
	MIN	MAX	MIN	MAX
A	0.750	0.785	19.05	19.93
B	0.240	0.295	6.10	7.49
C	—	0.200	—	5.08
D	0.015	0.020	0.39	0.50
E	0.050 BSC		1.27 BSC	
F	0.055	0.065	1.40	1.65
G	0.100 BSC		2.54 BSC	
H	0.008	0.015	0.21	0.38
K	0.125	0.170	3.18	4.31
L	0.300 BSC		7.62 BSC	
M	0°	15°	0°	15°
N	0.020	0.040	0.51	1.01

STYLE 1:

- PIN 1: CATHODE  
 2. CATHODE  
 3. CATHODE  
 4. CATHODE  
 5. CATHODE  
 6. CATHODE  
 7. CATHODE  
 8. CATHODE  
 9. ANODE  
 10. ANODE  
 11. ANODE  
 12. ANODE  
 13. ANODE  
 14. ANODE  
 15. ANODE  
 16. ANODE





## Section 13. Ordering Information

### 13.1 Contents

13.2 Introduction .....137  
 13.3 MCU Order Numbers .....137

### 13.2 Introduction

This section contains ordering information for the available package types.

### 13.3 MCU Order Numbers

**Table 13-1** lists the MC order numbers.

**Table 13-1. MC68HC705K1 Order Numbers**

Package Type	Temperature Range	Order Number
16-pin plastic dual in-line package (PDIP)	0°C to +70°C	MC68HC705K1P <sup>(1)</sup>
16-pin small outline integrated circuit (SOIC)	0°C to +70°C	MC68HC705K1DW <sup>(2)</sup>
16-pin ceramic dual in-line package (cerdip)	0°C to +70°C	MC68HC705K1S <sup>(3)</sup>
16-pin plastic dual in-line package (PDIP)	-40°C to +85°C	MC68HC705K1CP <sup>(4)</sup>
16-pin small outline integrated circuit (SOIC)	-40°C to +85°C	MC68HC705K1CDW
16-pin ceramic dual in-line package (cerdip)	-40°C to +85°C	MC68HC705K1CS

1. P = Plastic dual in-line package (PDIP)
2. DW = Small outline integrated circuit (SOIC)
3. S = Ceramic dual in-line package (cerdip)
4. C = Extended temperature range (-40°C to +85°C)



**Freescale Semiconductor, Inc.**

**Freescale Semiconductor, Inc.**

**For More Information On This Product,  
Go to: [www.freescale.com](http://www.freescale.com)**

# Freescale Semiconductor, Inc.

**Home Page:**

[www.freescale.com](http://www.freescale.com)

**email:**

[support@freescale.com](mailto:support@freescale.com)

**USA/Europe or Locations Not Listed:**

Freescale Semiconductor  
Technical Information Center, CH370  
1300 N. Alma School Road  
Chandler, Arizona 85224  
(800) 521-6274  
480-768-2130

[support@freescale.com](mailto:support@freescale.com)

**Europe, Middle East, and Africa:**

Freescale Halbleiter Deutschland GmbH  
Technical Information Center  
Schatzbogen 7  
81829 Muenchen, Germany  
+44 1296 380 456 (English)  
+46 8 52200080 (English)  
+49 89 92103 559 (German)  
+33 1 69 35 48 48 (French)  
[support@freescale.com](mailto:support@freescale.com)

**Japan:**

Freescale Semiconductor Japan Ltd.  
Headquarters  
ARCO Tower 15F  
1-8-1, Shimo-Meguro, Meguro-ku  
Tokyo 153-0064, Japan  
0120 191014  
+81 2666 8080

[support.japan@freescale.com](mailto:support.japan@freescale.com)

**Asia/Pacific:**

Freescale Semiconductor Hong Kong Ltd.  
Technical Information Center  
2 Dai King Street  
Tai Po Industrial Estate,  
Tai Po, N.T., Hong Kong  
+800 2666 8080

[support.asia@freescale.com](mailto:support.asia@freescale.com)

**For Literature Requests Only:**

Freescale Semiconductor  
Literature Distribution Center  
P.O. Box 5405  
Denver, Colorado 80217  
(800) 441-2447  
303-675-2140  
Fax: 303-675-2150  
[LDCForFreescaleSemiconductor@hibbertgroup.com](mailto:LDCForFreescaleSemiconductor@hibbertgroup.com)

RoHS-compliant and/or Pb-free versions of Freescale products have the functionality and electrical characteristics of their non-RoHS-compliant and/or non-Pb-free counterparts. For further information, see <http://www.freescale.com> or contact your Freescale sales representative.

For information on Freescale's Environmental Products program, go to <http://www.freescale.com/epp>.

Information in this document is provided solely to enable system and software implementers to use Freescale Semiconductor products. There are no express or implied copyright licenses granted hereunder to design or fabricate any integrated circuits or integrated circuits based on the information in this document. Freescale Semiconductor reserves the right to make changes without further notice to any products herein. Freescale Semiconductor makes no warranty, representation or guarantee regarding the suitability of its products for any particular purpose, nor does Freescale Semiconductor assume any liability arising out of the application or use of any product or circuit, and specifically disclaims any and all liability, including without limitation consequential or incidental damages. "Typical" parameters which may be provided in Freescale Semiconductor data sheets and/or specifications can and do vary in different applications and actual performance may vary over time. All operating parameters, including "Typicals" must be validated for each customer application by customer's technical experts. Freescale Semiconductor does not convey any license under its patent rights nor the rights of others. Freescale Semiconductor products are not designed, intended, or authorized for use as components in systems intended for surgical implant into the body, or other applications intended to support or sustain life, or for any other application in which the failure of the Freescale Semiconductor product could create a situation where personal injury or death may occur. Should Buyer purchase or use Freescale Semiconductor products for any such unintended or unauthorized application, Buyer shall indemnify and hold Freescale Semiconductor and its officers, employees, subsidiaries, affiliates, and distributors harmless against all claims, costs, damages, and expenses, and reasonable attorney fees arising out of, directly or indirectly, any claim of personal injury or death associated with such unintended or unauthorized use, even if such claim alleges that Freescale Semiconductor was negligent regarding the design or manufacture of the part.



MC68HC705J1A/D

**For More Information On This Product,  
Go to: [www.freescale.com](http://www.freescale.com)**