

Radiator Fan Controlled Timer

Description

The bipolar integrated circuit, U6049B, is designed as a radiator fan controlled timer. After the ignition is switched off, the thermal switch of the engine can activate

the radiator fan via relay for a preset period to support the cooling process.

Features

- Delay time range: 3.7 s to 20 h
- Cooling time starts when thermal switch is closed
- RC-oscillator determines switching characteristics
- Relay driver with Z-diode
- Debounced input for coolant temperature switch
- Not debounced input for ignition key (Terminal 15)
- Load-dump protection
- RF interference protected
- Protection according to ISO/TR 7637-1 (VDE 0839)

Ordering Information

Extended Type Number	Package	Remarks
U6049B	DIP8	
U6049B-FP	SO8	

Block Diagram

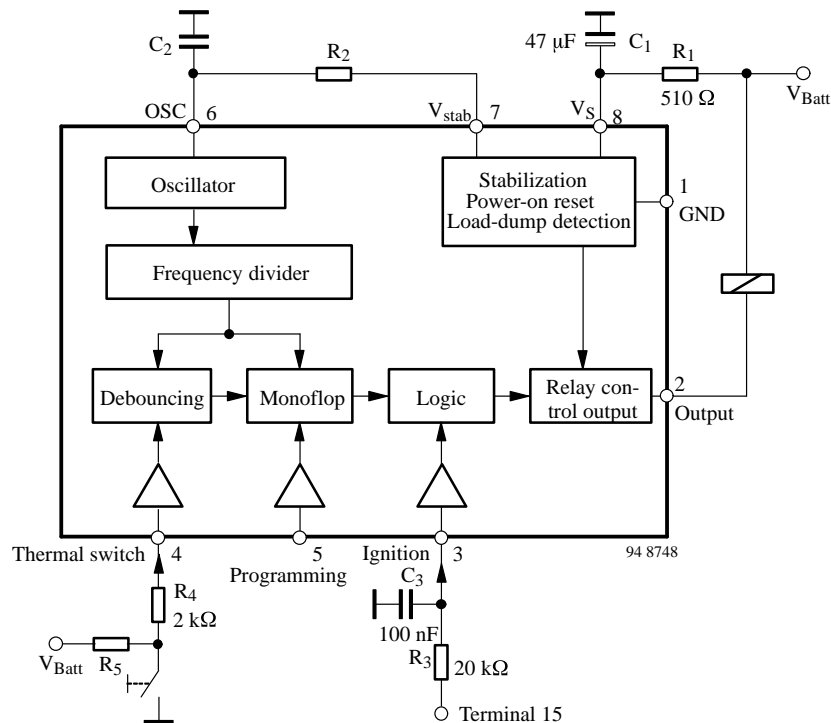
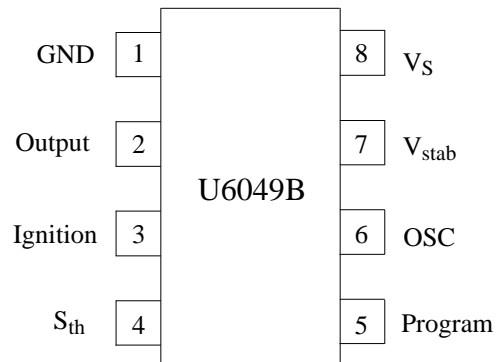


Figure 1. Block diagram with external circuit

Pin Configuration

Pin	Symbol	Function
1	GND	Reference point, ground
2	Output	Relay control output
3	Ignition	Signal input, ignition
4	S _{th}	Thermal switch, input
5	Program	Programming input
6	OSC	RC oscillator input
7	V _{stab}	Stabilized voltage
8	V _S	Supply voltage



13313

Figure 2. Pinning

Functional Description

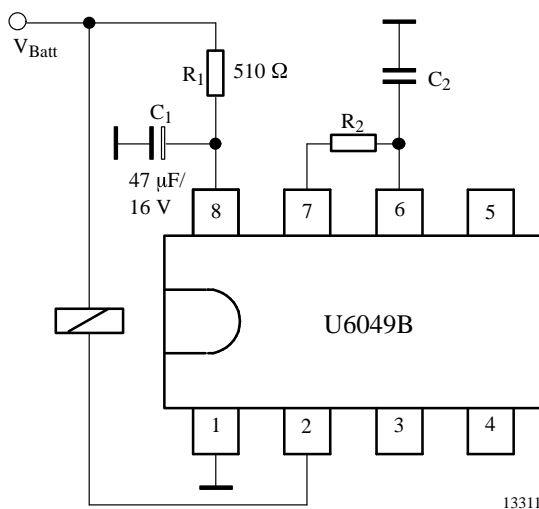
Power Supply, Pin 8

For reasons of interference protection and surge immunity, the supply voltage (Pin 8) must be provided with an RC circuit as shown in figure 2a. Dropper resistor, R₁, limits the current in case of overvoltage, whereas C₁ smoothes the supply voltage at Pin 8.

Recommended values are: R₁ = 510 Ω, C₁ = 47 μF.

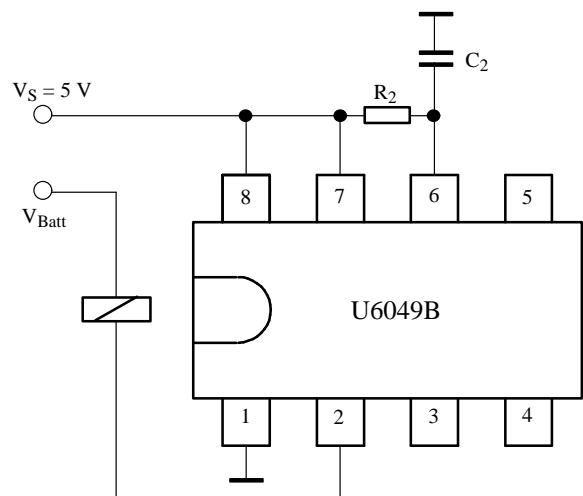
The integrated Z-diode (14 V) protects the supply voltage, V_S. Therefore, the operation of the IC is possible between 6 V and 16 V supplied by V_{Batt}.

However it is possible to operate the integrated circuit with a 5 V supply, but it should be free of interference voltages. In this case, Pin 7 is connected to Pin 8 as shown in figure 4, and the R₁C₁ circuit is omitted.



13311

Figure 3. Basic circuit for 12 V voltage supply and oscillator



13312

Figure 4. Basic circuit for V_S = 5 V

Oscillator, Pin 6

Oscillator frequency, f , is determined mainly by R_2C_2 -circuit. Resistance R_2 determines the charge time, whereas the integrated resistance ($2\text{ k}\Omega$) is responsible for discharge time. For the stability of the oscillator frequency, it is recommended to select R_2 much greater than internal resistance ($2\text{ k}\Omega$), because the temperature response and the tolerances of the integrated resistance are considerably greater than the external resistance value.

Oscillator frequency, f , is calculated as follows:

$$f = \frac{1}{t_1 + t_2}$$

where

$$t_1 = \text{charge time} = \alpha_1 \times R_2 \times C_2$$

$$t_2 = \text{discharge time} = \alpha_2 \cdot 2\text{ k}\Omega \cdot C_2$$

α_1 and α_2 are constants and has

$$\alpha_1 = 0.833 \text{ and } \alpha_2 = 1.551 \text{ when } C_2 = 470\text{ pF to } 10\text{ nF}$$

$$\alpha_1 = 0.746 \text{ and } \alpha_2 = 1.284 \text{ when } C_2 = 10\text{ nF to } 4700\text{ nF}$$

Debounce time, t_3 , and the delay time, t_d , depend on the oscillator frequency, f , as follows:

$$t_3 = 6 \times \frac{1}{f}$$

$$t_d = 73728 \times \frac{1}{f}$$

Table 1 shows relationships between t_3 , t_d , C_2 , R_2 and frequencies from 1 Hz to 20 kHz.

Output, Pin 2

Output Pin 2 is an open-collector Darlington circuit with integrated 23-V Z-diode for limitation of the inductive cut-off pulse of the relay coil. The maximum static collector current must not exceed 300 mA and the saturation voltage is typically 1.1 V @ 200 mA.

Interference Voltages and Load-Dump

The IC supply is protected by R_1 , C_1 , and an integrated Z-diode, while the inputs are protected by a series resistor, integrated Z-diode and RF-capacitor.

The relay control output is protected via the integrated 23-V Z-diode in the case of short interference peaks. It is switched to conductive condition for a battery voltage of greater than approx. 40 V in the case of load-dump. The output transistor is dimensioned so that it can withstand the current produced.

Power-on Reset

When the operating voltage is switched on, an internal power-on reset pulse (POR) is generated which sets the logic of the circuits to a defined initial condition. The relay control output is disabled.

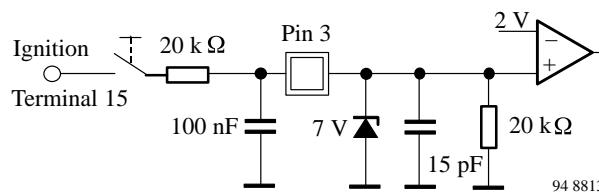


Figure 5. Input circuit for ignition (Pin 3)

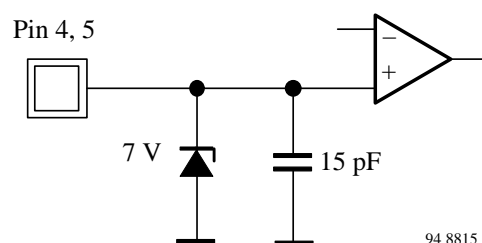


Figure 6. Input circuit Pin 4 and Pin 5

Relay Control Output behavior, Pin 2

The U6049B controls the cooling fan motor in an automobile by means of a relay.

Figure 5 shows the internal input circuit of ignition (Pin 3). It has an integrated pull-down resistor ($20\text{ k}\Omega$), RF-capacitor (15 pF) and 7-V Z-diode. It reacts to voltages greater than 2 V.

For the programming input, Pin 5, and thermal switch input, Pin 4, there is neither a pull-up nor pull-down resistor integrated internally (see figure 6).

One can reduce the standby current through the internal Z-diode by selecting a higher value for resistance R_4 (see figure 8, R_4 up to $200\text{ k}\Omega$). Resistance R_5 determines the contact current through the thermal control switch, S_{th} .

Ignition input (terminal 15) is not debounced. Debouncing can be achieved by an external circuit (R_3, C_3) connected to Pin 3 (see figures 1 and 7).

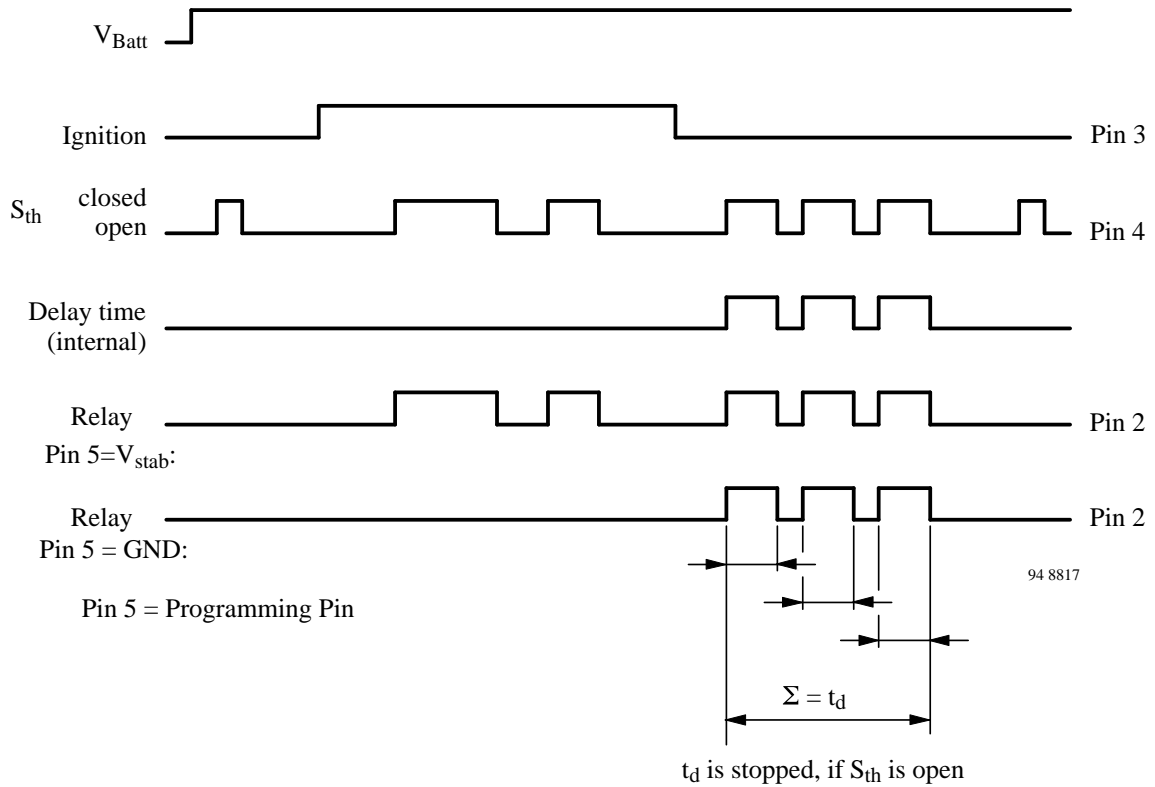


Figure 7. Timing waveform

The programming input (Pin 5) is high-ohmic and should therefore be connected to Pin 7 (V_{stab}) or GND. The relay control output is shown according to Pin 5 connection.

Thermal switch input, Pin 4, is debounced (see figure 1). Relay control output, Pin 2, is disabled when the battery voltage, V_{Batt} , is applied. Relay control output follows the conditions of the switch, S_{th} , only when the ignition is switched-ON. This is possible only after the debounce time, t_3 . In this case Pin 5 is connected to Pin 7.

Timing waveforms are shown in figure 4. Total delay time, t_d , is the sum of all ON-pulses caused by the thermostatic switching. This can run down at once or in parts. If S_{th} (Pin 4) is open, the oscillator is stopped (switched-off) internally, but when it starts (S_{th} closed), the delay time, t_d , starts running again. In case of renewed switching of ignition, the counter of the delay time is reset.

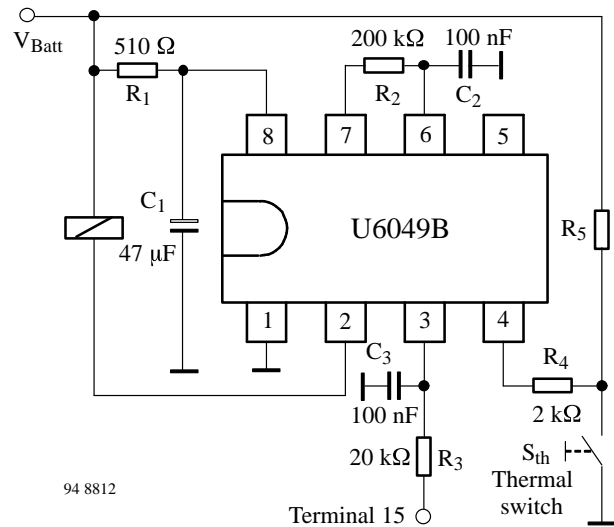


Figure 8. $R_4 = 2 \text{ k}\Omega$ to $200 \text{ k}\Omega$
Basic circuit

Absolute Maximum Ratings

Parameters	Symbol	Value	Unit
Operating voltage, static, 5 min	V_{Batt}	24	V
Ambient temperature range	T_{amb}	-40 to +125	°C
Storage temperature range	T_{stg}	-55 to +125	°C
Junction temperature	T_j	150	°C

Thermal Resistance

Parameters	Symbol	Maximum	Unit
Junction ambient DIP8	R_{thJA}	110	K/W
SO8	R_{thJA}	160	K/W

Electrical Characteristics

$V_{Batt} = 13.5$ V, $T_{amb} = 25$ °C, reference point ground, figure 2, unless otherwise specified

Parameters	Test Conditions / Pin	Symbol	Min	Typ	Max	Unit
Operating voltage	$R_1 \geq 510 \Omega$ $t < 5$ min $t < 60$ min	V_{Batt}	6		16 24 18	V
5 V supply	Without R_1 , C_1 figure 2b Pins 7 and 8	V_8, V_7	4.3		6.0	V
Stabilized voltage	Pin 7	V_7	5.0	5.2	5.4	V
Undervoltage threshold	Power-on reset	V_S	3.0		4.2	V
Supply current	Push buttons open Pin 8	I_S		1.3	2.0	mA
Internal Z-diode	$I_8 = 10$ mA Pin 8	V_Z	13.5	14	16	V
Relay output Pin 2						
Saturation voltage	$I_2 = 200$ mA $I_2 = 300$ mA	V_2		1.2	1.5	V
Leakage current	$V_2 = 14$ V	I_{lkg}		2	100	μ A
Output current		I_2			300	mA
Output pulse current						
Load dump pulse		I_2			1.5	A
Internal Z-diode	$I_2 = 10$ mA	V_2	20	22	24	V
Oscillator input $f = 0.001$ to 40 kHz, see table 1 Pin 6						
Internal discharge resistance		R_6	1.6	2.0	2.4	k Ω
Switching voltage	Lower Upper	V_{6L} V_{6H}	0.9 2.8	1.1 3.1	1.4 3.5	V
Input current	$V_6 = 0$ V	$-I_6$			1	μ A
Switching times						
Debounce time		t_3	5		7	cycles
Delay time		t_d	72704		74752	cycles
Inputs Pin 3, 4, 5						
Switching threshold		$V_{3,4,5}$	1.6	2.0	2.4	V
Internal Z-diode	$I_{3,4,5} = 10$ mA	$V_{3,4,5}$	6.5	7.1	8.0	V
Ignition input Pin 3						
Pull-down resistance	Switched to V_{Batt} (15)	R_3	13	20	50	k Ω
Thermal switch Pin 4						
Input current	$V_4 = 0$ V	$-I_4$			2	μ A
Programming input Pin 5						
Input current	$V_5 = 0$ V	$-I_5$			2	μ A

Table 1. Oscillator frequency, debounce time, delay time. dimensioning

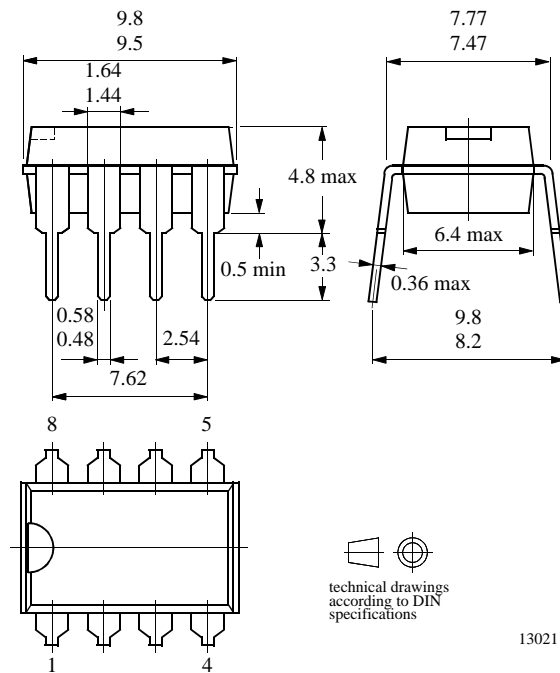
Fre- quency f	De- bounce time t ₃	Delay time t _d		C ₂	R ₂
		min	s		
Hz	ms			nF	kΩ
1	6000	1229		4700	280
2	3000	614		1000	650
3	2000	410		1000	440
4	1500	307		1000	330
5	1200	246		1000	260
6	1000	205		1000	220
7	857	176		1000	190
8	750	154		1000	160
9	667	137		1000	140
10	600	123		1000	130
20	300	61		100	650
30	200	41		100	440
40	150	31		100	330
50	120	25		100	260
60	100	20		100	220
70	86	18		100	190
80	75	15		100	160
90	67	14		100	140
100	60	12		100	130
200	30		369	10	600
300	20		246	10	400
400	15		184	10	300
500	12		147	10	240

Fre- quency f	De- bounce time t ₃	Delay time t _d		C ₂	R ₂
		min	s		
Hz	ms			nF	kΩ
600	10.00		123	10	200
700	9.00		105	10	170
800	8.00		92	10	150
900	7.00		82	10	130
1000	6.00		74	10	120
2000	3.00		37	1	600
3000	2.00		25	1	400
4000	1.50		18	1	300
5000	1.20		15	1	240
6000	1.00		12	1	200
7000	0.86		11	1	170
8000	0.75		9	1	150
9000	0.67		8	1	130
10000	0.60		7	1	120
11000	0.55		6.7	1	110
12000	0.50		6.1	1	99
13000	0.46		5.7	1	91
14000	0.43		5.3	1	85
15000	0.40		4.9	1	79
16000	0.38		4.6	1	74
17000	0.35		4.3	1	70
18000	0.33		4.1	1	66
19000	0.32		3.9	1	62
20000	0.30		3.7	1	59

Package Information

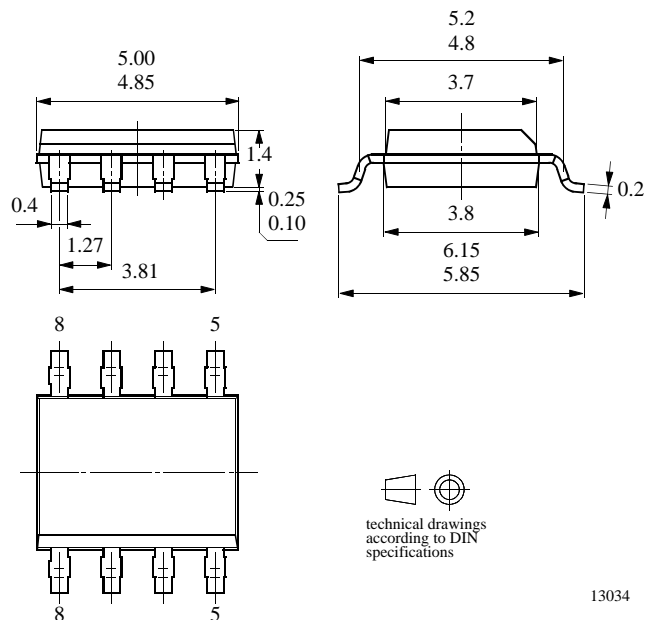
Package DIP8

Dimensions in mm



Package SO8

Dimensions in mm



Ozone Depleting Substances Policy Statement

It is the policy of **TEMIC TELEFUNKEN microelectronic GmbH** to

1. Meet all present and future national and international statutory requirements.
2. Regularly and continuously improve the performance of our products, processes, distribution and operating systems with respect to their impact on the health and safety of our employees and the public, as well as their impact on the environment.

It is particular concern to control or eliminate releases of those substances into the atmosphere which are known as ozone depleting substances (ODSs).

The Montreal Protocol (1987) and its London Amendments (1990) intend to severely restrict the use of ODSs and forbid their use within the next ten years. Various national and international initiatives are pressing for an earlier ban on these substances.

TEMIC TELEFUNKEN microelectronic GmbH semiconductor division has been able to use its policy of continuous improvements to eliminate the use of ODSs listed in the following documents.

1. Annex A, B and list of transitional substances of the Montreal Protocol and the London Amendments respectively
2. Class I and II ozone depleting substances in the Clean Air Act Amendments of 1990 by the Environmental Protection Agency (EPA) in the USA
3. Council Decision 88/540/EEC and 91/690/EEC Annex A, B and C (transitional substances) respectively.

TEMIC can certify that our semiconductors are not manufactured with ozone depleting substances and do not contain such substances.

We reserve the right to make changes to improve technical design and may do so without further notice.

Parameters can vary in different applications. All operating parameters must be validated for each customer application by the customer. Should the buyer use TEMIC products for any unintended or unauthorized application, the buyer shall indemnify TEMIC against all claims, costs, damages, and expenses, arising out of, directly or indirectly, any claim of personal damage, injury or death associated with such unintended or unauthorized use.

TEMIC TELEFUNKEN microelectronic GmbH, P.O.B. 3535, D-74025 Heilbronn, Germany
Telephone: 49 (0)7131 67 2831, Fax number: 49 (0)7131 67 2423