

# DBL 5018

## LOW POWER NARROW BAND FM IF

The DBL5018 is designed for use in FM dual conversion communication.

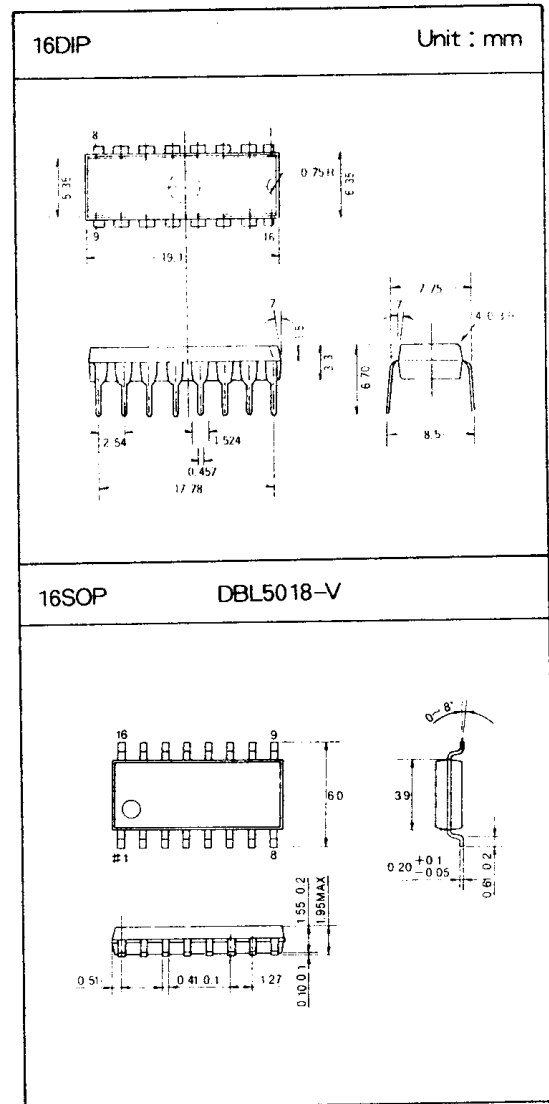
It contains a complete narrow band FM demodulation system operable to less than 2.0V supply voltage. This low power narrow-band FM IF system provides the second converter, second IF, demodulator, Filter Amp and squelch circuitry for communications and scanning receivers.

### FEATURES

- Operating voltage range : 2.0V~8.0V
- Low Current Consumption  $I_{CC}=4.0\text{mA}$  Typ.  
( $V_{CC}=4.0\text{V}$ )
- Excellent input sensitivity  
(-3dB Limiting= $2.0\mu\text{Vrms}$  Typ.)
- Low number of external parts required
- Operating frequency up to 60MHZ

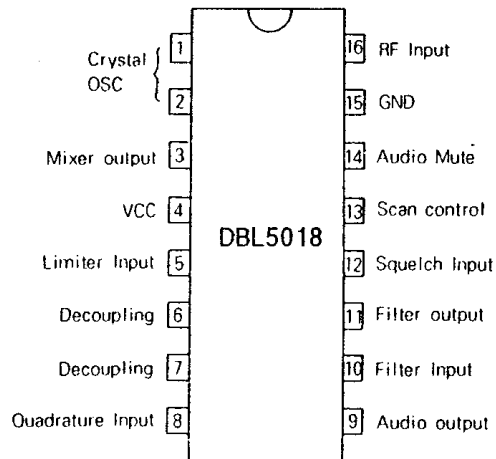
### MAXIMUM RATINGS( $T_a=25^\circ\text{C}$ )

Characteristics	Symbol	Rating	Unit
Maximum Supply voltage	$V_{CC,MAX}$	10	V
Supply Voltage Range	$V_{CC}$	2.0~8.0	V
Detector input Voltage	$V_{IN,DET}$	1.0	$V_{p-p}$
RF Input Voltage( $V_{CC}\geq 4.0\text{v}$ )	$V_{IN,RF}$	1.0	$V_{rms}$
Mute Function	$V_{MUTE}$	-0.5~+5.0	$V_{peak}$
Operating Temperature	$T_{op}$	-2.0~+70	$^\circ\text{C}$
Storage Temperature	$T_{stg}$	-65~+150	$^\circ\text{C}$

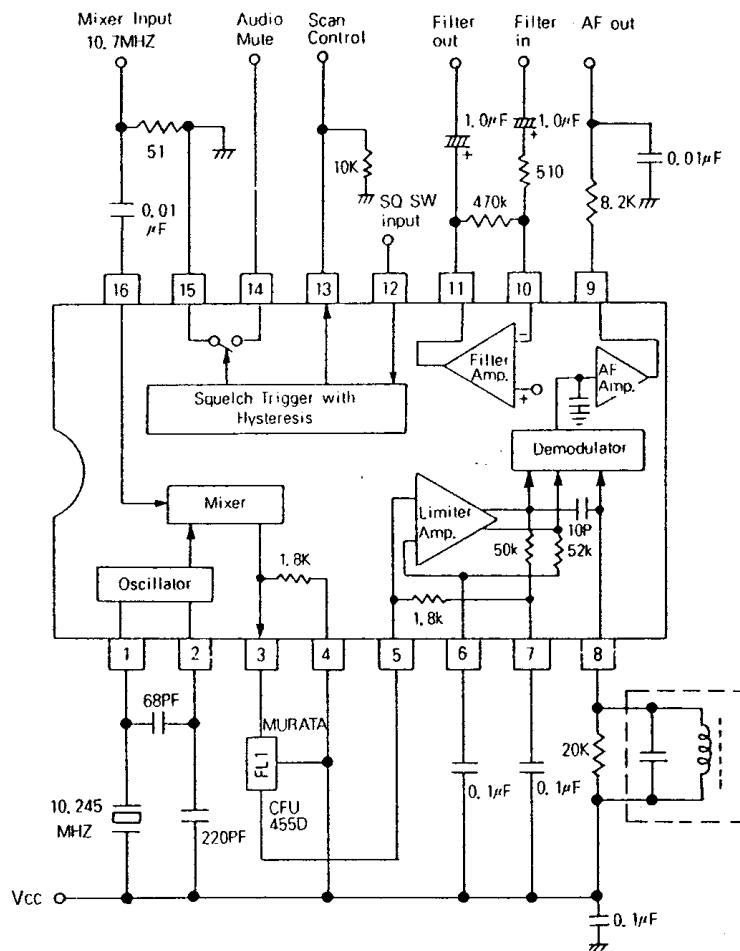


# DBL 5018

## PIN CONFIGURATION

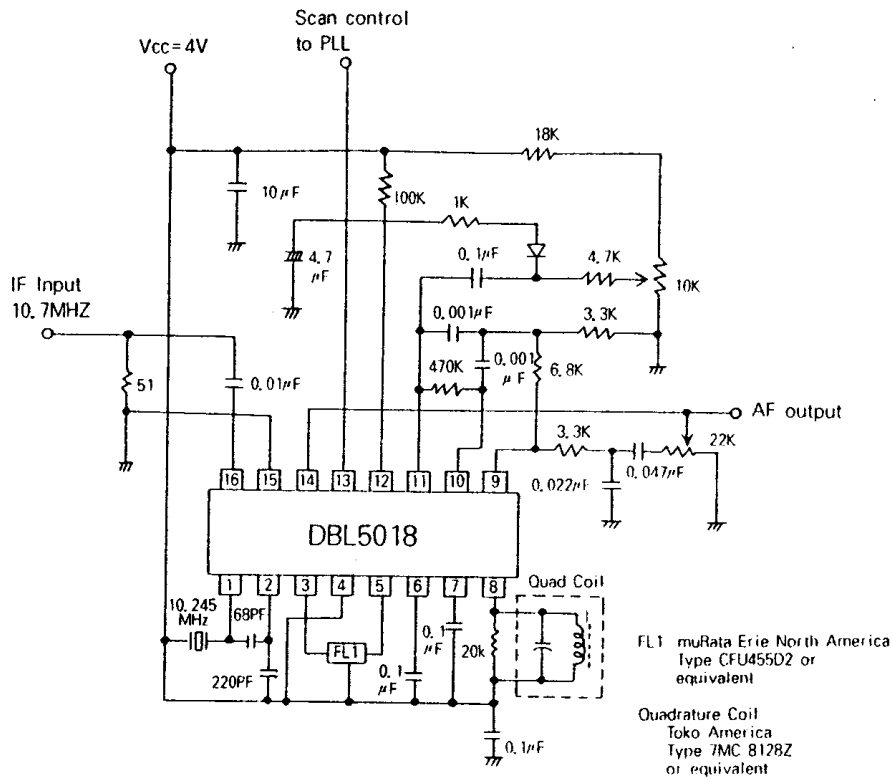


## BLOCK DIAGRAM AND TEST CIRCUIT

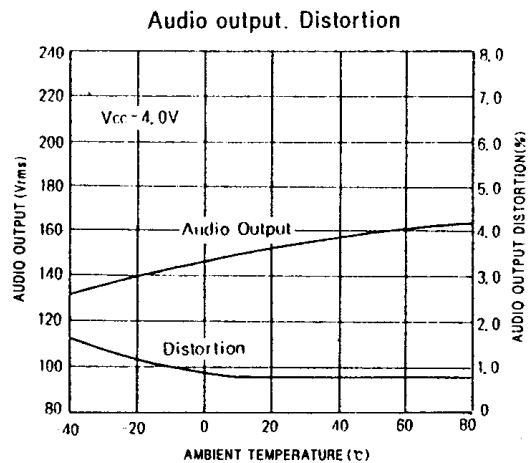
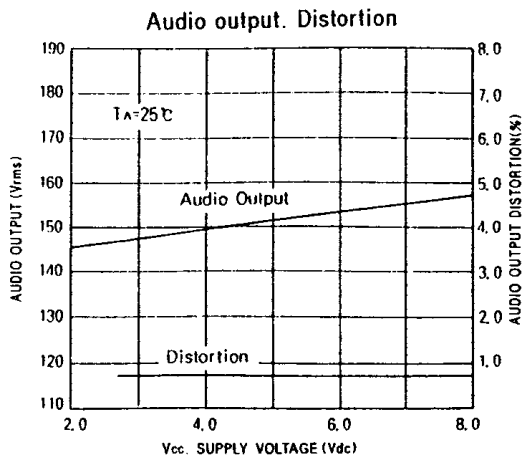


# DBL 5018

## APPLICATION CIRCUIT

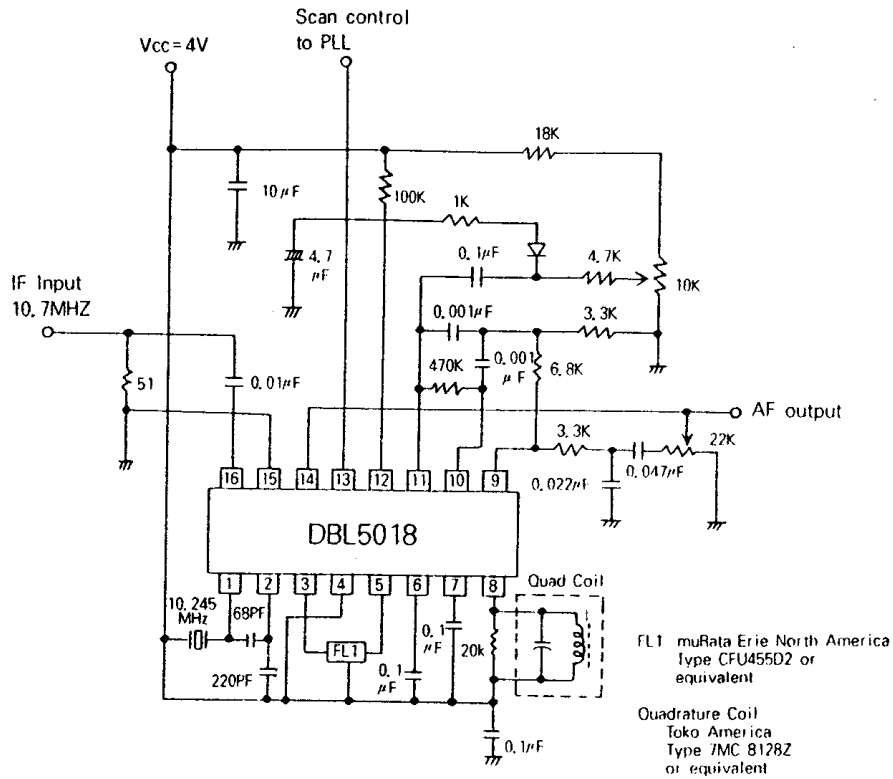


## TYPICAL PERFORMANCE CHARACTERISTICS

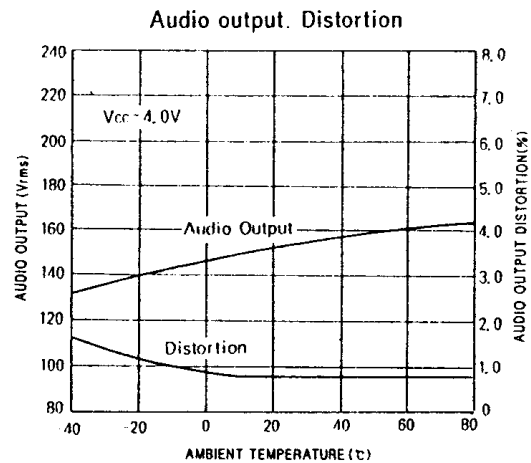
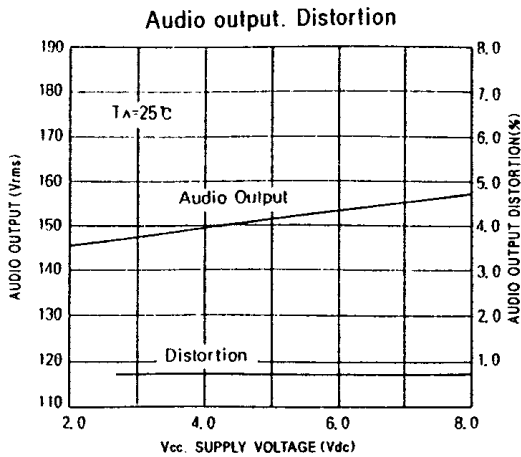


# DBL 5018

## APPLICATION CIRCUIT



## TYPICAL PERFORMANCE CHARACTERISTICS



# DBL 5018

## □ TYPICAL PERFORMANCE CHARACTERISTICS

