

AN3311K, AN3311S

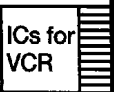
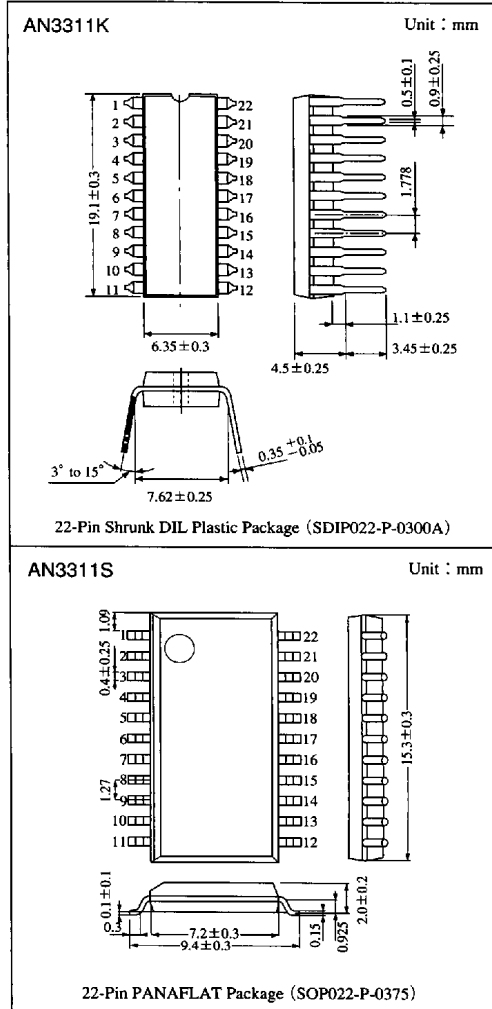
Head Amplifier ICs for 4-Head VCR

Overview

The AN3311K and the AN3311S are integrated circuits designed for head amplifier circuits of 4-head VCR.

Features

- Built-in envelope comparing circuit.
- Built-in peaking amplifier circuit.
- Low input-conversion noise
- Supply voltage : $V_{CC}=5V$



Block Diagram

