

**LA8515N****Telephonic Speech Network****Overview**

The SANYO LA8515N telephonic speech network provides amplification, switching and line drive functions for telephone equipment. It can perform 2 to 4 line conversion and impedance matching, and supports both DTMF and keytone signals.

The LA8515N's low operating current reduces line load. Switching between the DTMF/keytone and voice circuits is controlled directly from a single MUTE input.

The LA8515N is available in plastic 20-pin DIPs.

Features

- Direct connection to low-impedance receiver.
- DTMF/keytone and voice circuit switching controlled by a single MUTE input.
- Receive and transmit gain are adjusted automatically in response to the line current.
- Applicable to a wide variety of transmitters and receivers by selecting external components.

Specifications

Maximum Ratings at $T_a = 25^\circ\text{C}$

Parameter	Symbol	Conditions	Ratings	Unit
Line voltage	V_L max		15	V
Line current	I_L max		150	mA
Allowable power dissipation	P_d max		1200	mW
Operating temperature	T_{op}		-30 to +75	$^\circ\text{C}$
Storage temperature	T_{stg}		-55 to +150	$^\circ\text{C}$

Operating Characteristics at $T_a = 25^\circ\text{C}$, $f=1\text{kHz}$, See specified Test Circuit.

Parameter	Symbol	Conditions	Ratings			Unit
			min	typ	max	
Line voltage	V_L	$I_L=20\text{mA}$		3.6		V
		$I_L=50\text{mA}$		6.1		V
		$I_L=120\text{mA}$		12.3		V
Supply voltage	V_{CC}	$I_L=20\text{mA}$		2.1		V
		$I_L=50\text{mA}$		3.6		V
		$I_L=120\text{mA}$		7.1		V

Continued on next page.

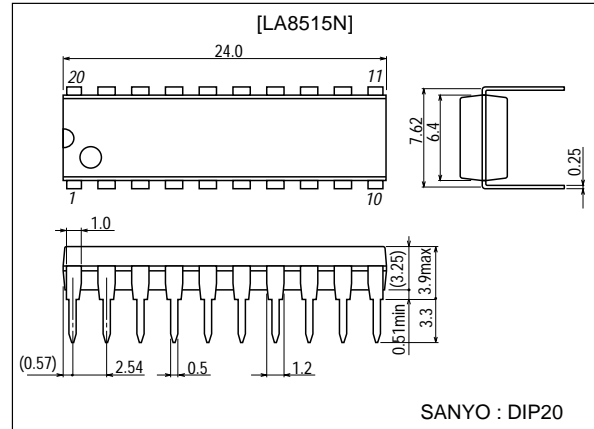
■ Any and all SANYO products described or contained herein do not have specifications that can handle applications that require extremely high levels of reliability, such as life-support systems, aircraft's control systems, or other applications whose failure can be reasonably expected to result in serious physical and/or material damage. Consult with your SANYO representative nearest you before using any SANYO products described or contained herein in such applications.

■ SANYO assumes no responsibility for equipment failures that result from using products at values that exceed, even momentarily, rated values (such as maximum ratings, operating condition ranges, or other parameters) listed in products specifications of any and all SANYO products described or contained herein.

Package Dimensions

unit:mm

3021C-DIP20



SANYO Electric Co.,Ltd. Semiconductor Company

TOKYO OFFICE Tokyo Bldg., 1-10, 1 Chome, Ueno, Taito-ku, TOKYO, 110-8534 JAPAN

12501TN (KT)/D159TA/O319TA, TS (US) No.3301-1/6

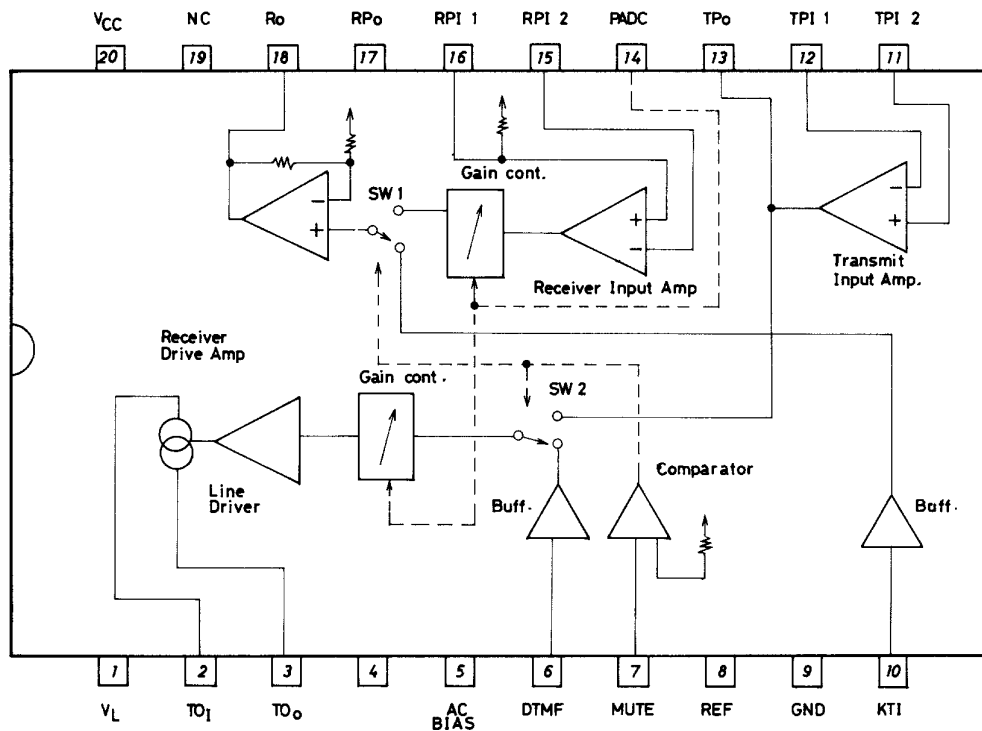
LA8515N

Continued from preceding page.

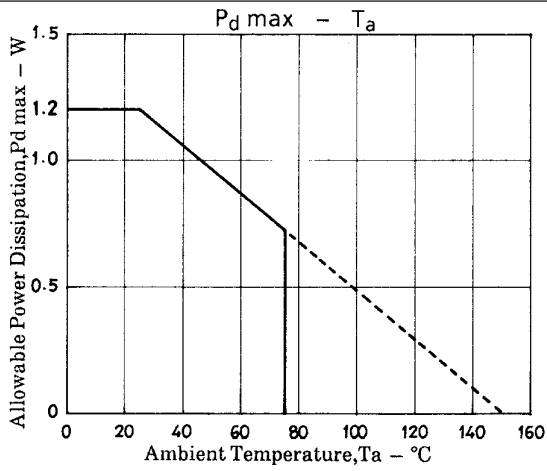
Parameter	Symbol	Conditions	Ratings			Unit
			min	typ	max	
Transmit gain	G_T	$I_L=20\text{mA}, V_{IN}=-55\text{dBV}$	38	40	42	dB
		$I_L=120\text{mA}, V_{IN}=-55\text{dBV}$	35	37		
Receive gain	G_R	$I_L=20\text{mA}, V_{IN}=-20\text{dBV}$	-4	-2	0	dB
		$I_L=120\text{mA}, V_{IN}=-20\text{dBV}$	-9.5	-7	-5	
DTMF gain	G_{MF}	$I_L=20\text{mA}, V_{IN}=-30\text{dBV}$	23	25	27	dB
		$I_L=120\text{mA}, V_{IN}=-30\text{dBV}$	20	22		
Transmit dynamic range	DR_T	$I_L=20\text{mA}, \text{THD}=4\%$	2.5			Vp-p
		$I_L=120\text{mA}, \text{THD}=4\%$	4.6			
Receive dynamic range	DR_R	$I_L=20\text{mA}, \text{THD}=10\%$	0.3			Vp-p
		$I_L=120\text{mA}, \text{THD}=10\%$	0.5			
DTMF input impedance	Z_{IMF}	$I_L=50\text{mA}$	24			k Ω
KTI input impedance	Z_{KTI}	$I_L=50\text{mA}$	17			k Ω
MUTE high-level input voltage	V_{IH}	$I_L=20\text{mA to }120\text{mA}$	1.5		V_{CC}	V
MUTE low-level input voltage	V_{IL}	$I_L=20\text{mA to }120\text{mA}$	0		0.2	V
Transmit attenuation	ΔG_T	$I_L=30\text{mA}, \text{PADC grounded via }24\text{k}\Omega$		3		dB
Receive attenuation	ΔG_R	$I_L=30\text{mA}, \text{PADC grounded via }24\text{k}\Omega$		6		dB
Reference voltage	V_{REF}	$I_L=20\text{mA}$		0.65		V
		$I_L=50\text{mA}$		1.13		V
		$I_L=120\text{mA}$		2.1		V

Note) Be careful of dielectric breakdown.

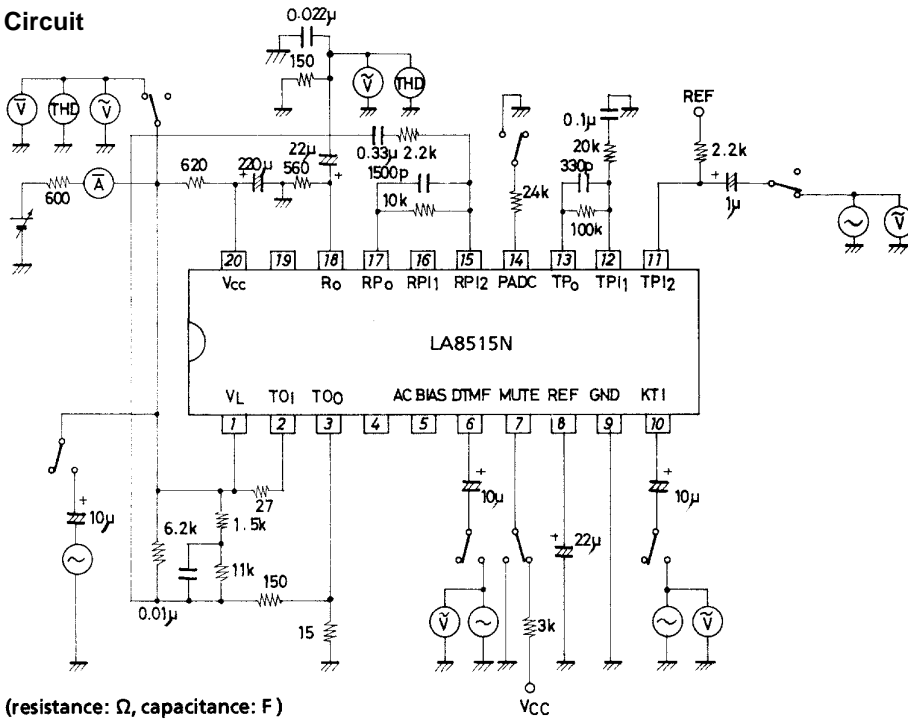
Equivalent Circuit Block Diagram



LA8515N

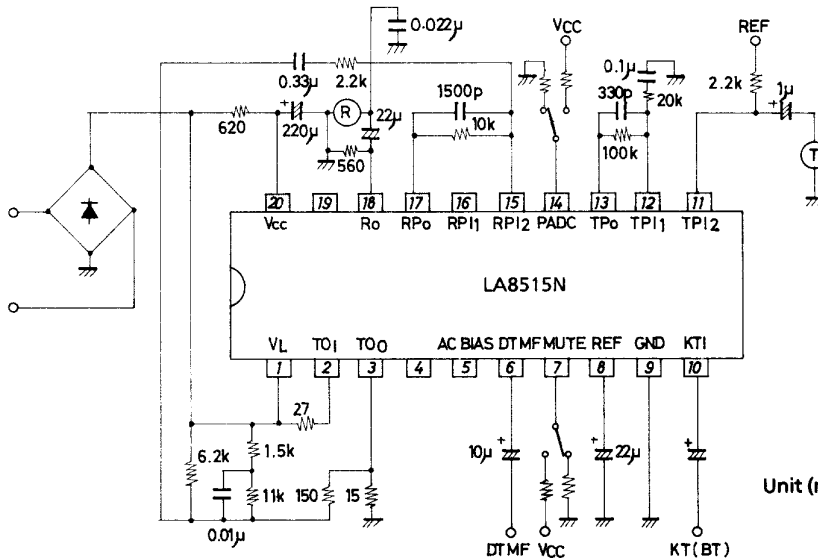


Test Circuit



Unit (resistance: Ω, capacitance: F)

Sample Application Circuit



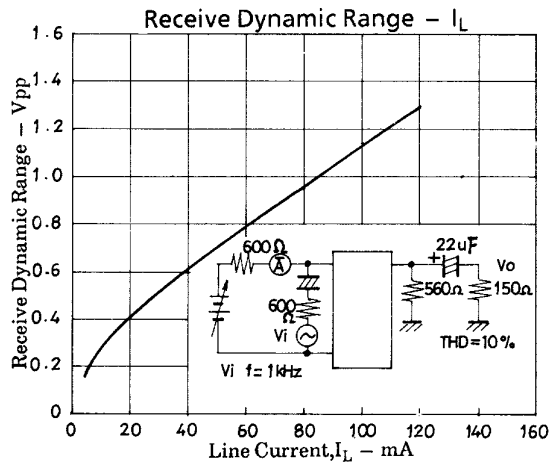
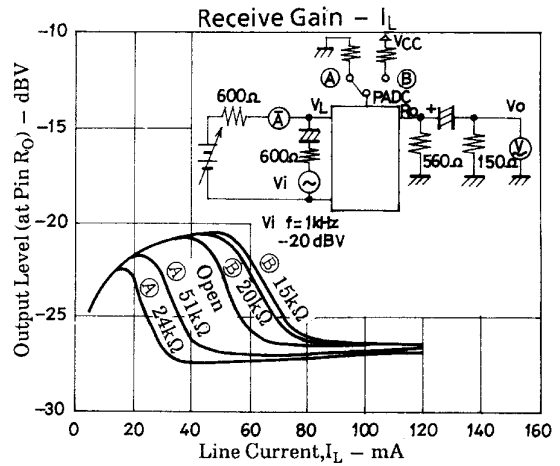
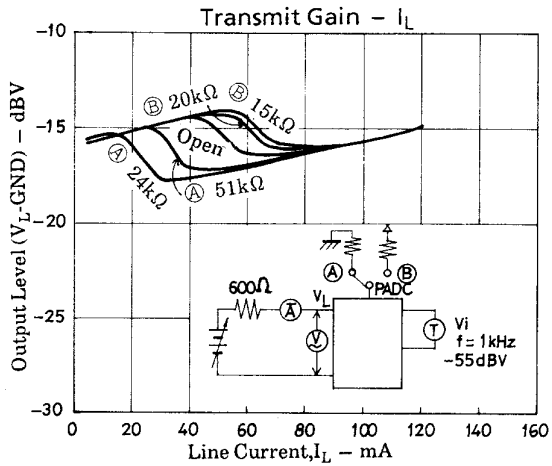
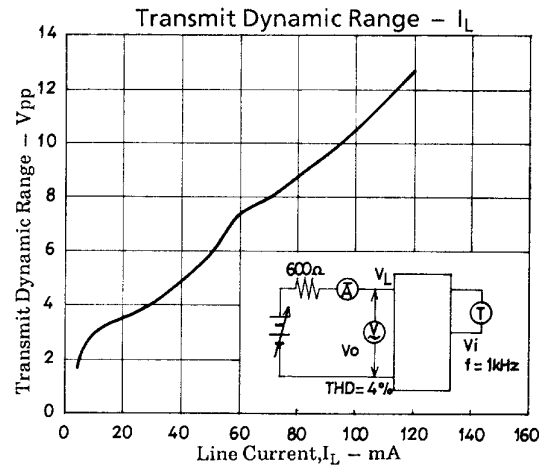
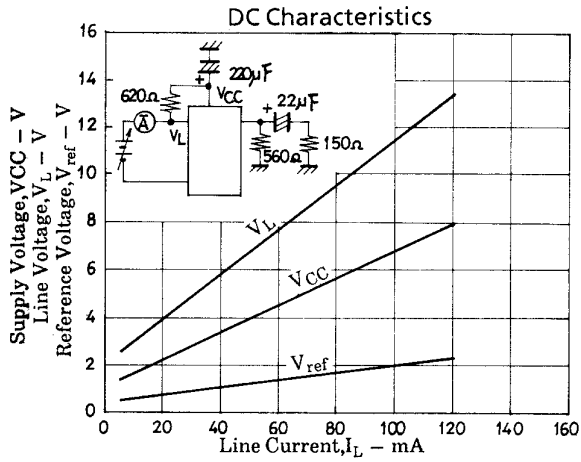
Unit (resistance: Ω, capacitance: F)

LA8515N

Pin Functions

Pin Number	Pin Name	Description
1	V _L	Line voltage Connected to the positive side of the line diode bridge. See the application circuit.
2	TO _I	Transmit output current source, input side Connected to V _L through a 27Ω resistor. Select the value of this resistor after considering the maximum expected line current.
3	TO _O	Transmit output current source, output side As above, but to ground through a 15Ω resistor.
4		Not used. This pin has a DC bias and should not be connected.
5	AC BIAS	AC signal reference voltage An internally-generated reference voltage.
6	DTMF	DTMF input The signal on this pin is output on V _L (pin 1) when MUTE (pin 7) is LOW. It should be decoupled using a capacitor since it is biased with the REF voltage.
7	MUTE	Mute control input Switches between the transmit side DTMF or receive side keytone, and voice circuits. LOW : DTMF output, keytone receive output. HiGH : Voice circuits.
8	REF	Reference voltage Internal amplifier bias voltage. Requires an external capacitor. This voltage should not be used by external circuitry.
9	GND	Ground Connected to the negative side of the line diode bridge.
10	KTI	Key tone input Switched through to the receive circuit output when MUTE (pin 7) is LOW. It should be decoupled using a capacitor since it is biased with REF voltage.
11	TPI ₂	Transmit input amplifier non-inverting input Transmit voice circuit input. Requires a DC bias from REF (pin 8) through a resistor.
12	TPI ₁	Transmit input amplifier inverting input Negative feedback input. Amplifier gain and frequency response are controlled by the feedback network.
13	TP _O	Transmit input amplifier output
14	PADC	Pad control input The value of the resistor between this pin and either V _{CC} or ground determines the shape of the line-current vs. gain characteristics. See Electrical Characteristics.
15	RPI ₂	Receive input amplifier inverting input Negative feedback is applied from the amplifier output to control amplifier gain and frequency response.
16	RPI ₁	Receive input amplifier inverting input This pin is internally biased through a resistor using REF.
17	RP _O	Receive input amplifier output
18	R _O	Receive circuit output Connect to a low-impedance (approximately 15kΩ) receiver through a decoupling capacitor.
19	NC	No connection
20	V _{CC}	Supply voltage Supply voltage for internal circuitry. This supply should not be used as an external circuit supply except as the high-level voltage for the MUTE and PADC inputs.

LA8515N



- Specifications of any and all SANYO products described or contained herein stipulate the performance, characteristics, and functions of the described products in the independent state, and are not guarantees of the performance, characteristics, and functions of the described products as mounted in the customer's products or equipment. To verify symptoms and states that cannot be evaluated in an independent device, the customer should always evaluate and test devices mounted in the customer's products or equipment.
- SANYO Electric Co., Ltd. strives to supply high-quality high-reliability products. However, any and all semiconductor products fail with some probability. It is possible that these probabilistic failures could give rise to accidents or events that could endanger human lives, that could give rise to smoke or fire, or that could cause damage to other property. When designing equipment, adopt safety measures so that these kinds of accidents or events cannot occur. Such measures include but are not limited to protective circuits and error prevention circuits for safe design, redundant design, and structural design.
- In the event that any or all SANYO products(including technical data, services) described or contained herein are controlled under any of applicable local export control laws and regulations, such products must not be exported without obtaining the export license from the authorities concerned in accordance with the above law.
- No part of this publication may be reproduced or transmitted in any form or by any means, electronic or mechanical, including photocopying and recording, or any information storage or retrieval system, or otherwise, without the prior written permission of SANYO Electric Co., Ltd.
- Any and all information described or contained herein are subject to change without notice due to product/technology improvement, etc. When designing equipment, refer to the "Delivery Specification" for the SANYO product that you intend to use.
- Information (including circuit diagrams and circuit parameters) herein is for example only ; it is not guaranteed for volume production. SANYO believes information herein is accurate and reliable, but no guarantees are made or implied regarding its use or any infringements of intellectual property rights or other rights of third parties.

This catalog provides information as of January, 2001. Specifications and information herein are subject to change without notice.