

**LA7583**

IF Signal Processing Circuit (A²C PLL VIF + SIF) for TVs and VCRs

Overview

The LA7583 is a VIF + SIF IC that requires no adjustments. In order to eliminate the need for adjustments in the VIF block, a multi-network PLL has been developed and adopted for video detection. In the SIF block, adjustments were eliminated by using gyrator technology in the FM quadrature detector. In addition to eliminating the need for adjustments, a buzz canceller that suppresses Nyquist buzz has been built into the LA7583 in order to provide excellent sound quality.

Features

- Elimination of VCO, AFT, and SIF coils eliminates the need for adjustments.
- A variety of built-in filters.
- Built-in buzz canceller results in excellent audio characteristics.

Note: A²C Automatic Adjustment Control

AQT Automatic Quadrature Tuning

Functions

[VIF]

- VIF amplifier
- Equalizer amplifier
- AGC lag lead filter

[1st SIF]

- Preamplifier

[SIF]

- Limiter amplifier

[mute]

- Audio mute

- Multinetwork PLL
- AFT
- Video driver

- 1st SIF detector

- AQT detector (gyrator)

- AV mute

- BNC
- IFAGC

- AGC detector

- J/U switch

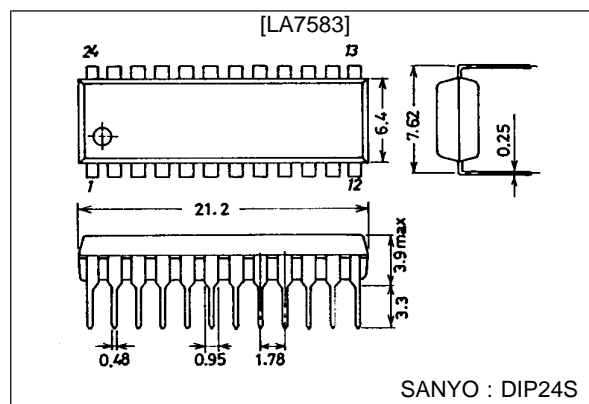
- FAGC
- Buzz canceller

- Built-in AGC filter

Package Dimensions

unit : mm

3067-DIP24S



LA7583

Specifications

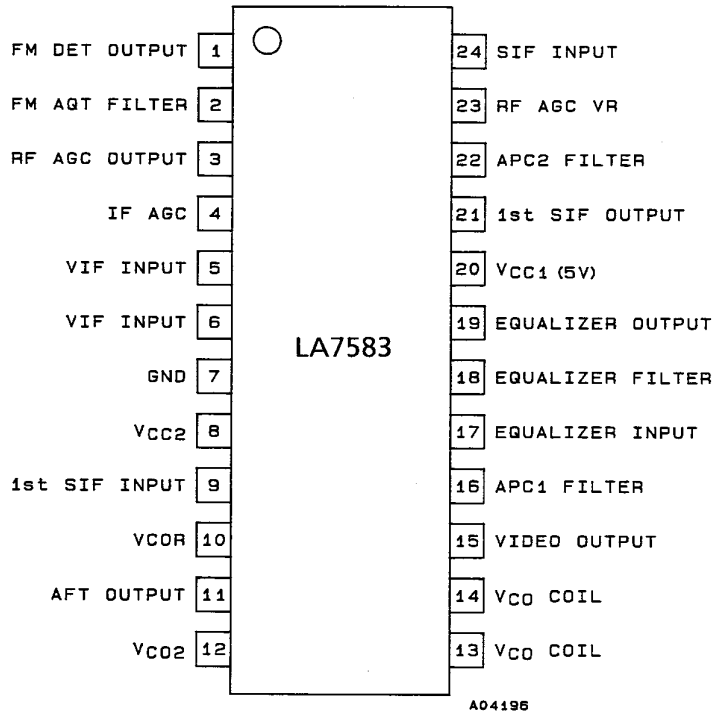
Maximum Ratings at $T_a = 25^\circ\text{C}$

Parameter	Symbol	Conditions	Ratings	Unit
Maximum supply voltage	V_{CC1}		7	V
	V_{CC2}		13.2	V
Circuit voltage	V4		V_{CC1}	V
	V3, V11		V_{CC2}	V
Circuit current	I1, I10, I23		-1	mA
	I3, I21		-3	mA
	I15, I19		-5	mA
Allowable power dissipation	$P_d \text{ max}$	$T_a \leq 50^\circ\text{C}$	1000	mW
Operating temperature	T_{opr}		-20 to +70	$^\circ\text{C}$
Storage temperature	T_{stg}		-55 to +150	$^\circ\text{C}$

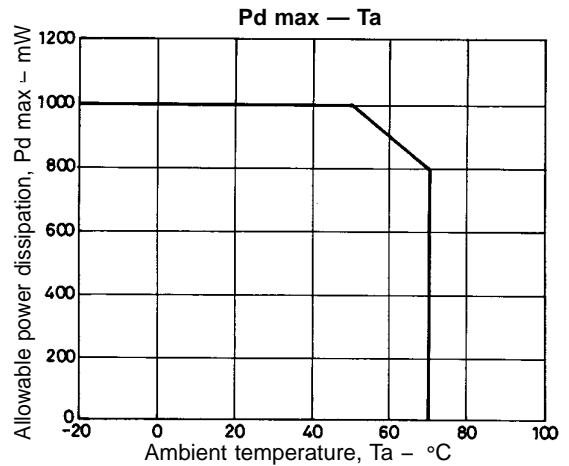
* A²C (Automatic Adjustment Control)

Note: Current flowing into the IC is positive (no signal) and current flowing out is negative.

Pin Assignment



Top View



LA7583

Operating Conditions at $T_a = 25\text{ }^\circ\text{C}$

Parameter	Symbol	Conditions	Ratings	Unit
Recommended supply voltage	V_{CC1}		5	V
	V_{CC2}		9	V
Operating supply voltage range	V_{CC1}		4.6 to 6	V
	V_{CC2}		7 to 12	V

Electrical Characteristics at $T_a = 25\text{ }^\circ\text{C}$, $V_{CC1} = 5\text{ V}$, $V_{CC2} = 9\text{ V}$, $f_p = 45.75\text{ MHz}$

Parameter	Symbol	Conditions	min	typ	max	Unit
[VIF Block]						
Circuit current 1	I20	$V_{CC} = 5\text{ V}$	57	66	78	mA
Circuit current 2	I8	$V_{CC} = 9\text{ V}$	7.8	11.0	14.0	mA
Maximum RF AGC voltage	V3H	$V4 = 3\text{ V}$	7.5	8.1	9	V
Minimum RF AGC voltage	V3L	$V4 = 1.5\text{ V}$		0	+0.5	V
Input sensitivity	V_i	S1 = OFF	32	38	44	dB μ
AGC range	G_R		56	62		dB
Maximum Allowable Input	V_i max		95	103		dB μ
Video output voltage with no signal	V19	$V4 = 2\text{ V}$	3.3	3.6	3.9	V
Sync signal tip voltage	V19(tip)	$V_i = 10\text{ mV}$	1.1	1.4	1.7	V
Video output amplitude	$V_O(V)$	87.5% mod	1.7	2.0	2.3	Vp-p
Black noise threshold level voltage	V_{BTH}		0.4	0.7	1.1	V
Black noise clamp voltage	V_{BCL}		1.65	1.95	2.25	V
Output S/N	S/N		48	52		dB
920 kHz beat level	I920	P = 0, C = -10 dB, S = -10 dB	41	45		dB
Frequency characteristics	f_C	P = 0, S = -14 dB	6	8		MHz
Differential gain	DG	$V_i = 10\text{ mV}$, 87.5%		3	8	%
Differential phase	DP	10STAR STEP		3	8	rad
AFT output voltage with no signal	V11		0.3	4.5	8.7	V
Maximum AFT output voltage	V11H		7.5	8.5	9	V
Minimum AFT output voltage	V11L		0	+1	+1.5	V
AFT detection sensitivity	Sf		33	48	69	mV/kHz
VIF input resistance	Ri(VIF)	f = 45.75 MHz	0.8	1.1	1.5	k Ω
VIF input capacity	Ci(VIF)	f = 45.75 MHz	2	3	5	pF
APC pull-in range (U)	f_{PU}		1.0	3		MHz
APC pull-in range (L)	f_{PL}			-4.5	-1.0	MHz
AFT crossover frequency	Δf_A		-65		+65	kHz
VCO1 maximum variable range	Δf_{U1}	V22 = 4 V	2.0	5.0		MHz
	Δf_{L1}	V22 = 2 V		-5.0	-2.0	MHz
VCO2 maximum variable range	Δf_{U2}	V16 = 4 V	100	200		kHz
	Δf_{L2}	V16 = 2 V		-1000	-200	kHz
VCO1 control sensitivity	β_1	V22 = 2.8 V to 3.2 V	2.4	4.8	9.6	kHz/mV
VCO2 control sensitivity	β_2	V16 = 2.8 V to 3.2 V	0.3	0.6	1.2	kHz/mV
[1st SIF Block]						
4.5 MHz output gain	VG	$V_i = 1\text{ mV}$, 41.25 MHz	23	26	29	dB
4.5 MHz output level	SO	$V_i = 10\text{ mV}$, 41.25 MHz	50	85	120	mVrms
1st SIF maximum input level	Si (max)	So + 12 dB - 1 dB	60	70		mVrms
1st SIF input resistance	Ri (SIF1)	f = 41.25 MHz	1.2	2		k Ω
1st SIF input capacity	Ci (SIF1)	f = 41.25 MHz		3	6	pF

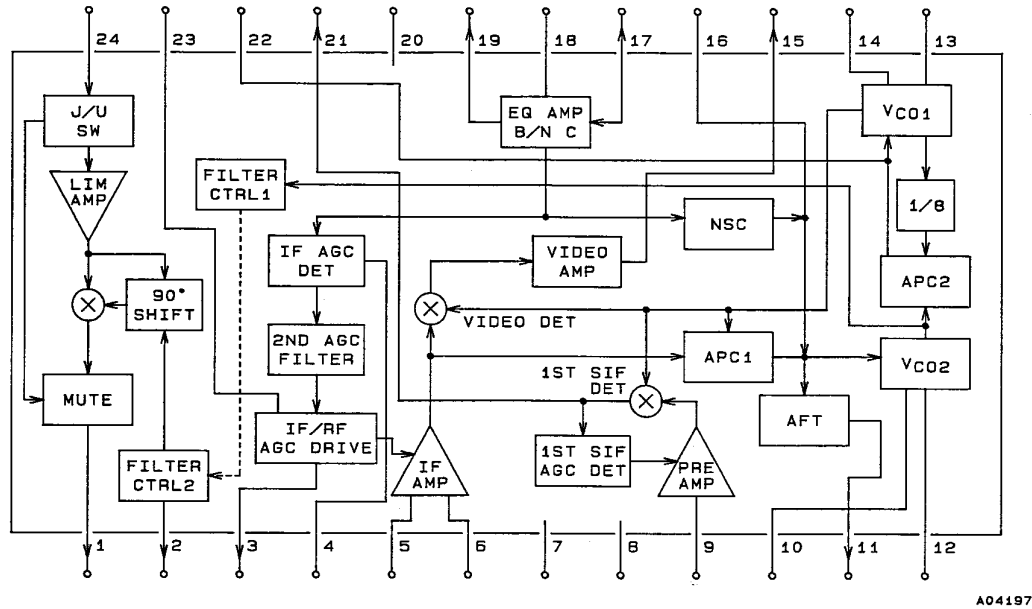
Continued next page.

LA7583

Continued from preceding page.

Parameter	Symbol	Conditions	min	typ	max	Unit
[SIF Block]						
SIF limiting sensitivity	V_i (lim)	$\Delta f = 25$ kHz, 400 Hz	47	53	59	dB μ
FM detection output voltage	V_O	$V_i = 100$ mV, $\Delta f = 25$ kHz, 400 Hz	300	400	520	mVrms
AMR	AMR	AM = 30%, 400 Hz	40	56		dB
Total harmonic distortion	THD	$\Delta f = 25$ kHz, 400 Hz		0.4	1.5	%
SIF S/N	S/N(SIF)	$\Delta f = 25$ kHz, 400 Hz	55	59		dB
[Mute defeat]						
FM mute	V24T		0.5	1.0		V
AFT defeat voltage	VD11		3.9	4.5	5.1	V
J/U SW start voltage	VJU24		1.5	2.0	2.5	V
AV mute voltage	VM23		1	1.5		V

Equivalent Circuit Block Diagram



A04197

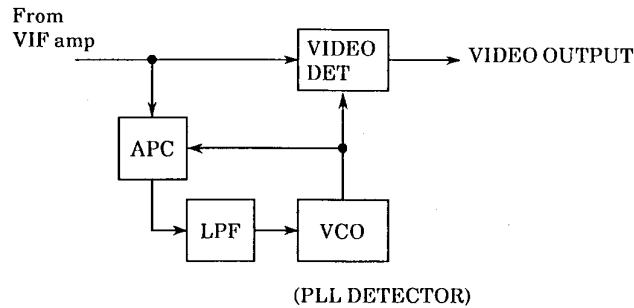
Multinetwork PLL (Automatic Adjustment Control)

The LA7583's PIF detector uses a multinetwork PLL and a buzz canceller. The multinetwork PLL is a PLL detector that was developed in order to eliminate the need for adjustments in video detection.

This PLL detector offers the following features:

- (1) Eliminates the need for adjustments in video detection.
- (2) The PLL detection characteristics are unaltered.
 - a. Offers better waveform response characteristics in comparison with the quasi-synchronous detection method.
 - b. The harmonic wave component of the video signal (demodulated output) is reduced.
 - c. The 1/2 IF signal suppression ratio is improved.
- (3) Audio buzz is greatly reduced by the buzz canceller.

A typical PLL detector consists of the blocks shown below.



In these blocks, if the VCO coil is not adjusted to the IF frequency, a phase difference will appear in the control loop. As a result, the PLL detector detection axis will shift from the ideal 180°. The group delay, DP characteristics, etc., deteriorate as a result.

LA7583

Pin Functions

Pin No.	Symbol	Circuit Configuration	Description
1	FM DETECTOR OUTPUT		<p>Pin 1 is an audio FM output pin. A 100 Ω resistor is connected in series with the emitter follower.</p> <p>(1) Monaural applications CR are used to form a de-emphasis circuit externally. $t = CR1$</p> <p>(2) Audio multiplexing applications Depending on the audio multiplexing decoder application, the input impedance is low, which may distort the L-R signals, etc., and degrade the stereo characteristics. In such an event, add a resistor between pin 1 and GND. $R2 \geq 5.1 \text{ k}\Omega$</p>
2	FM AQT FILTER		<p>Pin 2 is the FM Automatic Quadrature Tuning filter pin. This pin controls the quadrature detector so that it remains at its center frequency (4.5 MHz), and is the point where the two control currents are added. If the value of external capacitor C1 is small, the low-range frequency characteristics deteriorate. If the capacitance is too large, the low-range characteristics improve, but the response characteristics at SW-ON, etc., worsen. The recommended value for C1 is 10 μF to 33 μF.</p>
3	RF AGC OUTPUT		<p>Pin 3 is the RF AGC output pin. It is an emitter output, and a protective resistor of 200 Ω is connected between pin 3 and emitter.</p> <p>This pin determines the resistance bleeder (R1, R2) values according to the maximum gain of the tuner.</p>

Continued on next page.

LA7583

Continued from preceding page.

Pin No.	Symbol	Circuit Configuration	Description
4	IF AGC		<p>Pin 4 is the 1st IFAGC filter pin. This filter smoothes out the peaks detected in the signal by the AGC detector, and generates the AGC voltage. The 2nd AGC filter (lag lead filter) is built in using filter technology. The cutoff frequency is approximately 500 Hz.</p> <ul style="list-style-type: none"> AGC filter constants and AGC speed Medium-speed AGC: $R1 = 330\text{ k}\Omega$ $C1 = 0.1\text{ }\mu\text{F}$ High-speed AGC: $R1 = 470\text{ k}\Omega$ $C1 = 0.056\text{ }\mu\text{F}$
5 6	VIF INPUT		<p>Pins 5 and 6 are the VIF amplifier input pins. The VIF amplifier has three stages, each of which uses a C cut, so when used in conjunction with a SAW filter, DC cut by a capacitor becomes unnecessary.</p> <p>$Ri = 1.1\text{ k}\Omega$ $Ci = 3\text{ pF}$</p>
9	1st SIF INPUT		<p>Pin 9 is the 1st SIF input pin. Input is such that DC cut must be performed using a capacitor. When a SAW filter, etc. is used in the input circuit, an L that is used to neutralize the SAW filter output capacitance and the IC input capacitance serves to improve the 1st SIF sensitivity.</p>

Continued on next page.

LA7583

Continued from preceding page.

Pin No.	Symbol	Circuit Configuration	Description
10	VCOR	<p style="text-align: right;">A04205</p>	<p>Pin 10 is the pin for connecting the resistor that determines the impedance of the oscillation point of the oscillating circuit by the ceramic oscillator. Oscillation frequency variations can be reduced by connecting a resistor with a tolerance of 1% between pin 10 and pin 12.</p>
11	AFT OUTPUT	<p style="text-align: right;">A04206</p>	<p>Pin 11 is the AFT output pin. This pin determines the gain (control sensitivity: β (kHz/mV)) according to the R1 and R2 bleeder resistance values. β is decreased in weak electric fields by AGC voltage in order to reduce malfunction of AFT. R1 and R2 must be 200 kΩ or less.</p> <div style="text-align: center;"> </div> <p style="text-align: right;">A04207</p>
12	VCO2	<p style="text-align: right;">A04205</p>	<p>Pin 12 is the ceramic oscillator (VCO2) pin. A series resonance-type oscillator is used to oscillate 1/8 of the IF signal.</p> <p style="text-align: center;">Japan = 58.75 MHz \times 1/8</p> <p style="text-align: center;">U.S. = 45.75 MHz \times 1/8</p>

Continued on next page.

LA7583

Continued from preceding page.

Pin No.	Symbol	Circuit Configuration	Description
13 14	VCO COIL		<p>Pins 13 and 14 are the VCO tank circuit. VCO coil recommended</p> <ul style="list-style-type: none"> • Japan 1.2 μH • U.S. 1.8 μH <p>Make the circuit pattern between the IC and the coil as short as possible.</p>
15	VIDEO OUTPUT		<p>Pin 15 is the SIF carrier (4.5 MHz)-contained video output pin. The level of the video output is approximately 1.5 Vp-p.</p>
16	APC1 FILTER		<p>Pin 16 is the APC1 filter pin. The filter smoothes the output after comparing the phase of the IF signal with that of VCO1 in APC1.</p> <p> $C_1 = 0.47 \mu\text{F}$ $R_1 = 330 \text{ to } 560\Omega$ $C_2 = 470 \text{ pF}$ </p>

Continued on next page.

LA7583

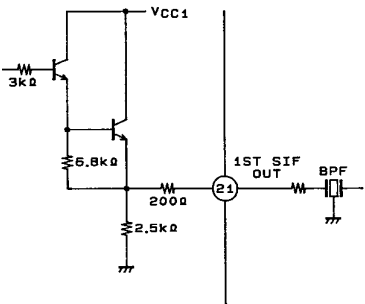
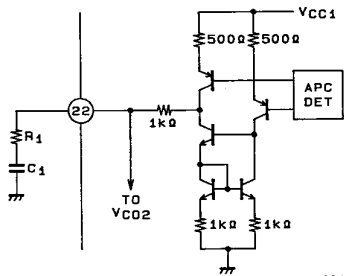
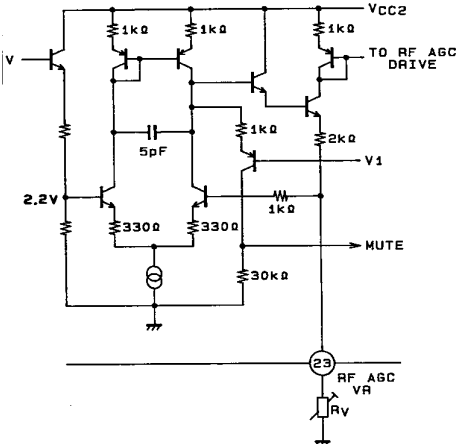
Continued from preceding page.

Pin No.	Symbol	Circuit Configuration	Description
17	EQUALIZER INPUT		<p>Pin 17 is the equalizer amplifier input pin. A signal which has passed through a 4.5 MHz trap is input through pin 17 and is output through pin 19.</p> <ul style="list-style-type: none"> The input level of pin 17 is 1.5 Vp-p. This is amplified 3 dB to 2 Vp-p by the equalizer amplifier.
18	EQUALIZER FILTER		<p>Pin 18 is the equalizer pin. The equalizer amplifier is of the voltage follower type with a voltage gain of 3 dB. To correct the frequency characteristics, connect LCR externally.</p> <p>The operating characteristics are as follows:</p> $A_v = \frac{V_e}{V_i} = 1 + \frac{R_1}{Z} \text{ (times)}$
19	EQUALIZER OUTPUT		<p>Pin 19 is the equalizer amplifier output pin. This output has a built-in low-impedance drive circuit.</p>

Continued on next page.

LA7583

Continued from preceding page.

Pin No.	Symbol	Circuit Configuration	Description
21	1st SIFOUT	 <p style="text-align: right;">A04215</p>	<p>Pin 21 is the 1st SIF output pin. The SIF carrier output level is approximately 50 mVrms.</p>
22	APC2 FILTER	 <p style="text-align: right;">A04216</p>	<p>Pin 22 is the APC2 filter pin. The filter smoothes the output after comparing the phase of VCO2 with that of VCO1 x 1/8 in APC2.</p> <p style="text-align: center;"> $C_1 = 0.47\mu\text{F}$ $R_1 = 33\ \Omega$ </p>
23	RF AGC VR	 <p style="text-align: right;">A04217</p>	<p>Pin 23 is the RF AGC adjusting pin. The adjustment point is where Rv approximates 15 kΩ. AV (audio/video) mute is effected by dropping this pin to GND.</p>

Continued on next page.

LA7583

Continued from preceding page.

Pin No.	Symbol	Circuit Configuration	Description
24	SIF INPUT, J/U SW		<p>Pin 24 is used both for SIF input and J/U SW audio mute.</p> <ul style="list-style-type: none"> The input impedance is approximately 1.5 kΩ. J/U (Japan/U.S.) switch The oscillating frequency for VCO2 in Japan and the U.S. differs. However, the center frequency of the SIF detector is controlled using VCO2 as a reference. As a result, the filter control mode can be changed either by leaving this pin open or dropping it to GND through a 3.9 kΩ resistor. Open: Japan mode 3.9 kΩ: U.S. mode Audio mute: Audio muting can be applied by dropping the voltage on this pin to 0.5 V or less.

LA7583 VCO COIL design considerations

1. Design criteria

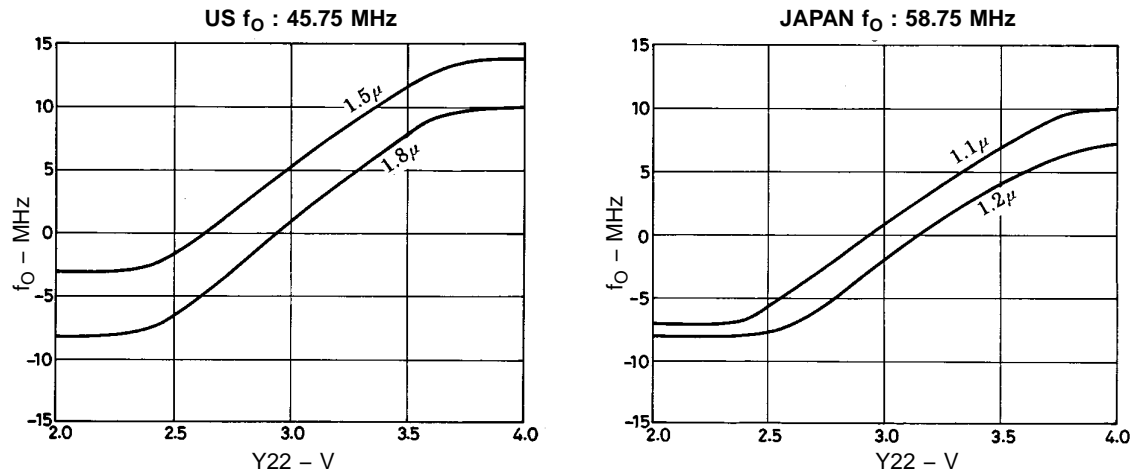
Allow for an adequate variable range for the IF frequency in the design. Specifically, select a coil value so that the carrier frequency is roughly in the center of the characteristics diagram shown below when 2 V and 4 V are applied to pin 22.

2. Design notes

- When selecting the L value, the LA7583 must be soldered directly on the board. If an IC socket is used, an error in the VCO center frequency will arise from the capacitance of the socket.
- The patterns for pins 13 and 14 must be made as short as possible (15 mm or less). Minimize the effect of the printed pattern.
- A VCO coil of which tolerance is $\pm 5\%$ must be used.

3. Measuring the IF frequency range

Drop the IF AGC (pin 4) to GND. Next, pick up the VCO carrier leak at a pin other than the VCO coil (pins 13 and 14) and read the carrier frequency. And then, apply a voltage ranging from 1.5 V to 4.5 V to pin 22, and record the characteristics of the maximum variable frequency range for VCO as shown in the diagram below.



4. Recommended VCO coil

A. Tokyo Parts Industry Co., Ltd.	5LC	JAPAN	1.2 $\mu\text{H} \pm 5\%$
		U.S.	1.8 $\mu\text{H} \pm 5\%$

Notes on Sanyo SAW Filters

There are two types of filters, depending on the piezoelectric substrate material.

- (1) LiTaO₃ (lithium tantalate) SAW filters:TSF1xxx
TSF2xxx

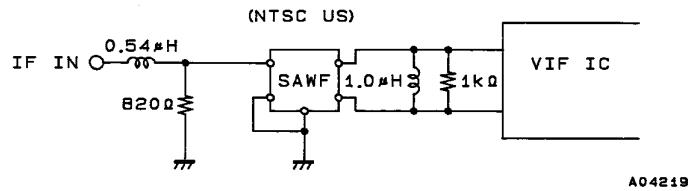
While the LiTaO₃ SAW filters offer excellent stability with a low temperature coefficient of $-18 \text{ ppm}/^\circ\text{C}$, the insertion loss is high. However, by using a coil, etc., to obtain proper matching on the SAW filter output side (which does increase the number of external components), it is possible to suppress the insertion loss while at the same time making the level of the characteristics variable, which provides additional design freedom. (Refer to Fig. 13.) In addition, because the SAW (surface wave) reflection is small, ripple within the band can be kept low.

- (2) LiNbO₃ (lithium niobate) SAW filter:TSF5xxx

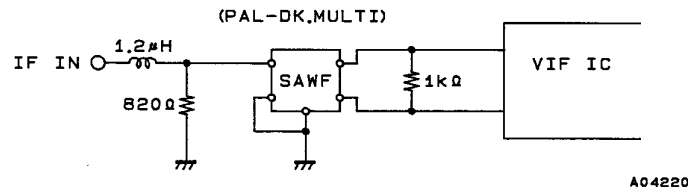
While the LiNbO₃ SAW filter has a high temperature coefficient of $-72 \text{ ppm}/^\circ\text{C}$, it has a lower insertion loss by about 10 dB compared to the LiTaO₃ SAW filters. Therefore, matching on the output side of the SAW filter is not necessary. (Refer to the diagram below.) In addition, because the insertion loss is low (although the ripple within the band is somewhat higher than in the case of the LiTaO₃ SAW filter), the low impedance and small feedthrough diminish the effects of peripheral circuit components and the pattern layout, and make it possible to stabilize the trap characteristics outside of the band.

From the above, it is clear that the LiTaO₃ SAW filter is suitable for Japan and U.S. bands where the IF frequency is high, while the LiNbO₃ SAW filter is suitable for PAL and U.S. bands where the IF frequency is low.

LiTaO₃ SAW Filter



LiNbO₃ SAW Filter



- (a) Picture wide BAND SAW Filter

Japan TSF1137U
U.S. TSF1241U(with IS-31 Trap)

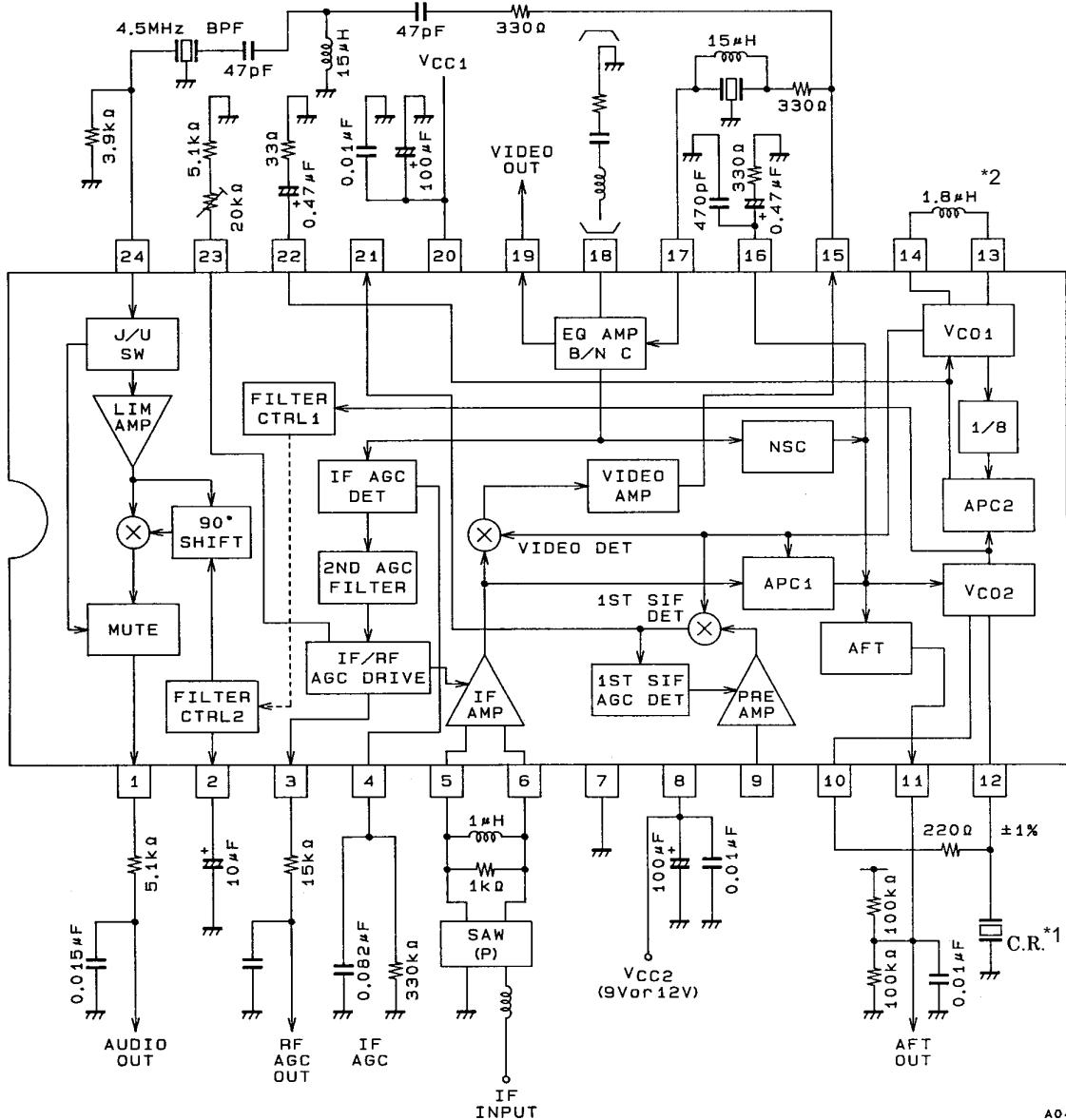
- (b) INTER Carrier SAW Filter

Japan TSF1138P
U.S. TSF1220P

LA7583

Test circuit Diagram

LA7583 (U.S.)



*1. TDK ceramic oscillator FCR5.71M2SF3

*2. Micro-inductor 5LC1R8, made by Tokyo Parts Industry Co., Ltd.

A04221

■ No products described or contained herein are intended for use in surgical implants, life-support systems, aerospace equipment, nuclear power control systems, vehicles, disaster/crime-prevention equipment and the like, the failure of which may directly or indirectly cause injury, death or property loss.

■ Anyone purchasing any products described or contained herein for an above-mentioned use shall:

- ① Accept full responsibility and indemnify and defend SANYO ELECTRIC CO., LTD., its affiliates, subsidiaries and distributors and all their officers and employees, jointly and severally, against any and all claims and litigation and all damages, cost and expenses associated with such use:
- ② Not impose any responsibility for any fault or negligence which may be cited in any such claim or litigation on SANYO ELECTRIC CO., LTD., its affiliates, subsidiaries and distributors or any of their officers and employees jointly or severally.

■ Information (including circuit diagrams and circuit parameters) herein is for example only; it is not guaranteed for volume production. SANYO believes information herein is accurate and reliable, but no guarantees are made or implied regarding its use or any infringements of intellectual property rights or other rights of third parties.

This catalog provides information as of August, 1995. Specifications and information herein are subject to change without notice.