

SANYO	No.1848B	LA7710
		SECAM, PAL (Quasi-Parallel) Audio IF Circuit

Overview

The LA7710 is a SECAM (audio IF, electronic volume control, AF preamp)/PAL (quasi-parallel audio IF circuit) dual system IC that is packaged in a 16-pin DIP package. The LA7710 is applicable to the SECAM or PAL system by changing over the AGC system (pin 3 is brought to open state or grounded).

Functions

- IF amp
- Detector
- IF AGC (peak AGC, average AGC)
- Electronic volume control
- AF preamp
- PAL/SECAM switch

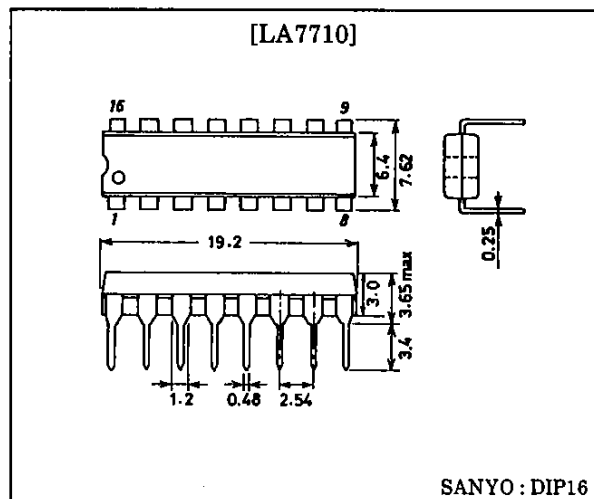
Features

- Used as SECAM audio IF circuit by bringing pin 3 to open state. Also used as PAL quasi-parallel audio IF circuit by grounding pin 3.
- Electronic volume control : 0dB output available

Package Dimensions

(unit : mm)

3006B-DIP16



Specifications

Maximum Ratings at Ta = 25°C

			Unit
Maximum Supply Voltage	V _{CC} max	15	V
Maximum Flow-out Current	I ₁₁ max	-5	mA
	I ₅ max	-3	mA
	I ₄ max	-3	mA
Allowable Power Dissipation	P _d max	900	mW
Operating Temperature	T _{opr}	-20 to +70	°C
Storage Temperature	T _{stg}	-55 to +125	°C

Ta ≤ 60°C

Operating Conditions at Ta = 25°C

			Unit
Recommended Supply Voltage	V _{CC}	12	V
Operating Voltage Range	V _{CC} op	9 to 13.5	V

SANYO Electric Co., Ltd. Semiconductor Business Headquarters
 TOKYO OFFICE Tokyo Bldg., 1-10, 1 Chome, Ueno, Taito-ku, TOKYO, 110 JAPAN

61295HA(KOTO)/8238YT/8215KI/6105MW, TS No.1848-1/4

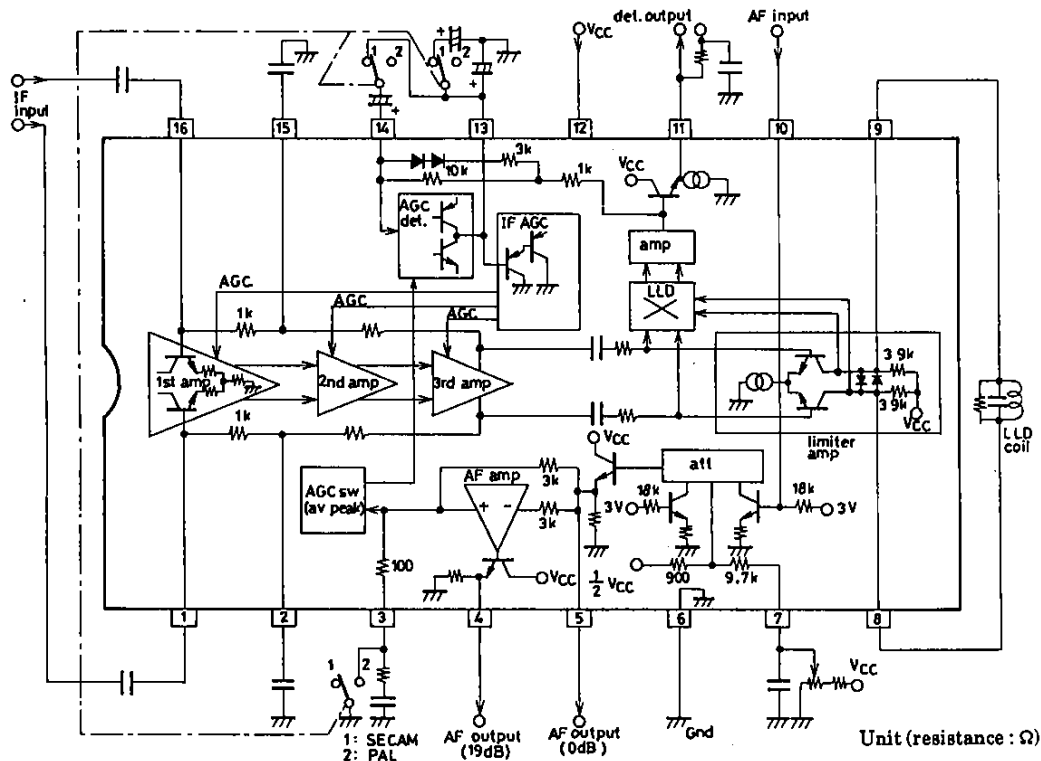
LA7710

Operating Characteristics at $T_a = 25^\circ\text{C}$, $V_{CC} = 12\text{V}$, $f_s = 39.2\text{MHz}$, $f_p = 32.7\text{MHz}$

			min	typ	max	Unit
Circuit Current	I_{12}		39	49	63	mA
Usable Sensitivity	V_i (S/N)	400Hz-30% mod AM		39	46	dB
Average Detection Output	V_{os}	//	190	280	360	mV
SECAM S/N	S/Ns	//	52	59		dB
Detection Output Distortion	THDs	//		0.5	1.0	%
Maximum Allowable Input	$V_{i\text{ max}}$	THD=2%	92	98		dB/ μV
AGC Range	GR		63	69		dB
Peak Output Amplitude	V_{op}	15kHz-78% mod AM	1.4	1.7	2.1	V
SIF Output Amplitude	V_{SIF}	P/S : 20dB	50	90	130	mV
Frequency Characteristic	f_c	-3dB	5	7		MHz
Electronic Volume Control	V_{Gdc}		-1	0	+1	dB
Voltage Gain						
Electronic Volume Control Distortion	THDatt			0.1	0.4	%
Electronic Volume Control Max. Attenuation	ATT		70	80		dB
AF Amp Voltage Gain	V_{Gaf}		17	19	21	dB
AF Amp Distortion	THDaf		0.3	1.0		%

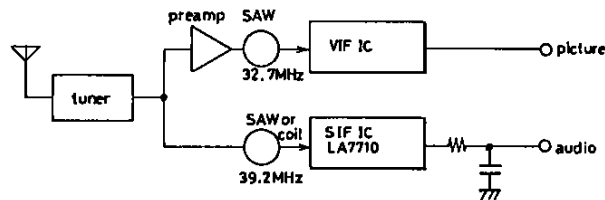
(Note) Current direction : + : Flowing into IC
- : Flowing out of IC

Equivalent Circuit Block Diagram

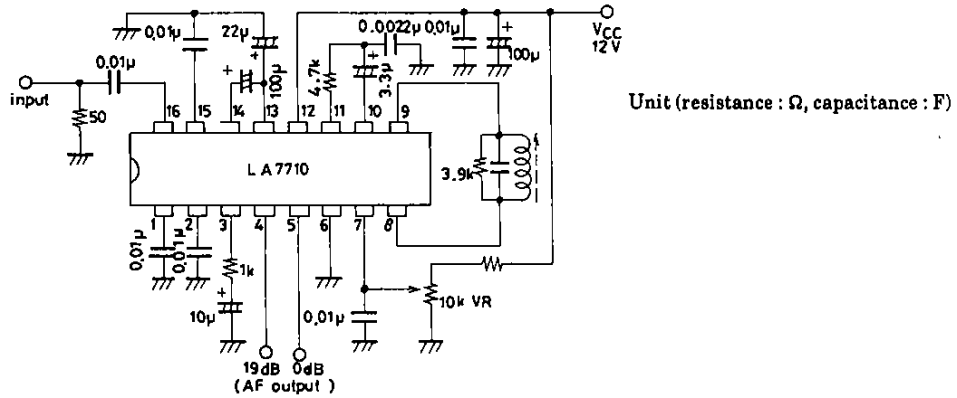


Sample Application Circuits-Each system diagram and IC peripheral circuit

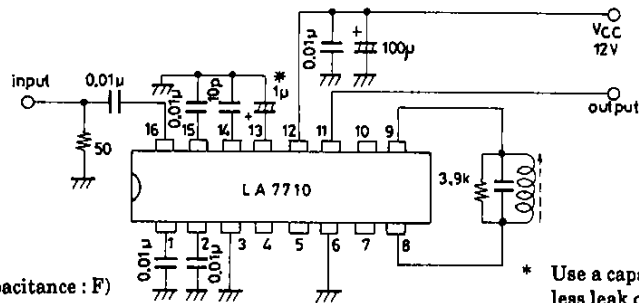
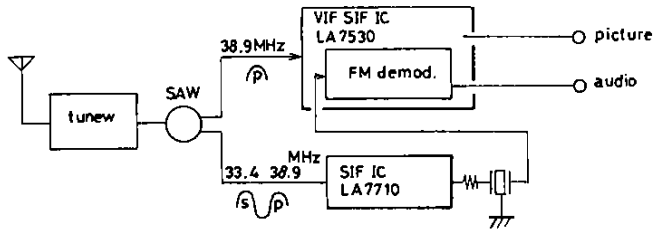
(1) SECAM



LA7710

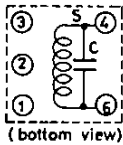


(2) PAL



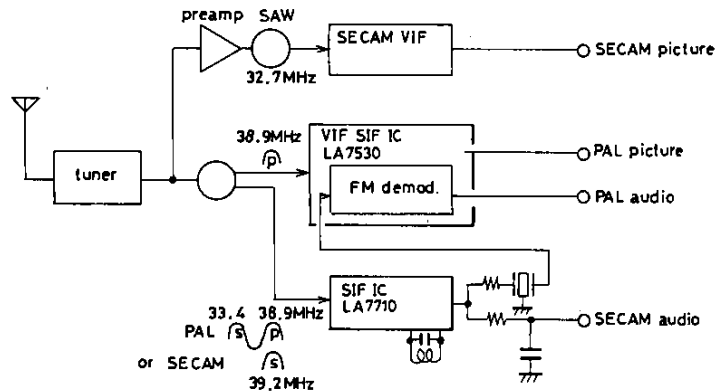
[Coil specification]

Bobbin : 7mm square



Number of turns	④-⑥	7T
Material	UEW	0.12φ
Capacitance		33pF
Frequency		39.2MHz

(3) PAL/SECAM



(Note) *1 When selecting the PAL/SECAM, the LLD tuning point of the LA7710 must be changed over (38.9MHz → 39.2MHz).

*2 When selecting the PAL/SECAM, the filter characteristic must be changed over.

- No products described or contained herein are intended for use in surgical implants, life-support systems, aerospace equipment, nuclear power control systems, vehicles, disaster/crime-prevention equipment and the like, the failure of which may directly or indirectly cause injury, death or property loss.
- Anyone purchasing any products described or contained herein for an above-mentioned use shall:
 - ① Accept full responsibility and indemnify and defend SANYO ELECTRIC CO., LTD., its affiliates, subsidiaries and distributors and all their officers and employees, jointly and severally, against any and all claims and litigation and all damages, cost and expenses associated with such use:
 - ② Not impose any responsibility for any fault or negligence which may be cited in any such claim or litigation on SANYO ELECTRIC CO., LTD., its affiliates, subsidiaries and distributors or any of their officers and employees jointly or severally.
- Information (including circuit diagrams and circuit parameters) herein is for example only; it is not guaranteed for volume production. SANYO believes information herein is accurate and reliable, but no guarantees are made or implied regarding its use or any infringements of intellectual property rights or other rights of third parties.

This catalog provides information as of June, 1995. Specifications and information herein are subject to change without notice.