

TDA 4282 T Quasi-Parallel Sound IC with FM IF, Sym. Input and Volume Control

The TDA 4282 T is a controlled AM amplifier with FM demodulator (to produce an intercarrier) and subsequent sound-IF limiting amplifier with coincidence demodulator, standard VCR connection and separate AF-output with volume control.

- Outstanding limiting qualities
- Connection for video recorder
- Little external circuitry

Maximum ratings

Supply voltage	V_S	15	V
$t \leq 1$ min	V_S	16.5	V
Thermal resistance (system-ambient air)	$R_{th SA}$	65	K/W
Junction temperature	T_j	150	°C
Storage temperature	T_{stg}	-40 to 125	°C

Operational range

Supply voltage	V_S	11 to 15	V
Frequency range AM part	f_{AM}	10 to 60	MHz
FM part	f_{FM}	0.01 to 12	MHz
Control voltage AM part	V_2	0 to 5	V
Switch current FM part	I_B	0.3 to 1	mA
Ambient temperature in operation	T_{amb}	0 to 60	°C

Characteristics ($V_s = 15V, T_{amb} = 25^\circ C$)

	min	typ	max	
Current consumption				
I_5		60	80	mA
AM-part:				
AGC-range				
AGC-voltage	ΔG	55		dB
Input resistance	V_2		5	V
Input impedance at max. gain	R_{i3-4}	10		k Ω
Input impedance at min. gain	Z_{i20-21}	1.8/2		k Ω /pF
Output resistance	Z_{i20-21}	1.9/0		k Ω /pF
	R_{q6}	500		Ω
	R_{q7}	500		Ω
FM-part: ($f_2 = 5.5$ MHz; $f_{mod} = 1$ kHz)				
Input impedance	Z_{i9-10}	800		Ω
AM-suppression	a_{AM}	42		dB
($V_{i9-10} = 1$ mV; $f = 12.5$ MHz; $m = 30\%$)				
Signal-to-noise ratio ($V_{i9-10} = 10$ mV)	$a_{S/N}$	85		dB
Input voltage for limiting	$V_{i lim.}$	60		μ V
($\Delta f = 30$ kHz)				
Demodulator output resistance	R_{q15-16}	5.4		k Ω
Output resistance for VCR-recording	R_{q12}		500	Ω
Input resistance for VCR-playback	R_{i12}	10		k Ω
Integrated resistor for deemphasis	R_{i17}	10		k Ω
AF-output voltage	V_{q12}	600		mV _{rms}
($V_i = 10$ mV; with CDA 5.5 MC 10, $R_{q11} = 2.9$ Ω)	V_{q11}	260	300	mV _{rms}
($\Delta f = 12.5$ kHz)				
AF-gain during VCR-playback	V_{12-11}	0.5		
Total harmonic distortion	THD_{12}	1		%
Cross talk ($V_i = 1$ mV)				
$V_{12} = 2 V_{rms}$	C_{12-11}	50	52	dB
$V_{12} = 0.3 V_{rms}$	C_{12-11}	60	65	dB
Range of volume control	$\frac{V_{AF max}}{V_{AF min}}$	70	85	dB

Circuit description

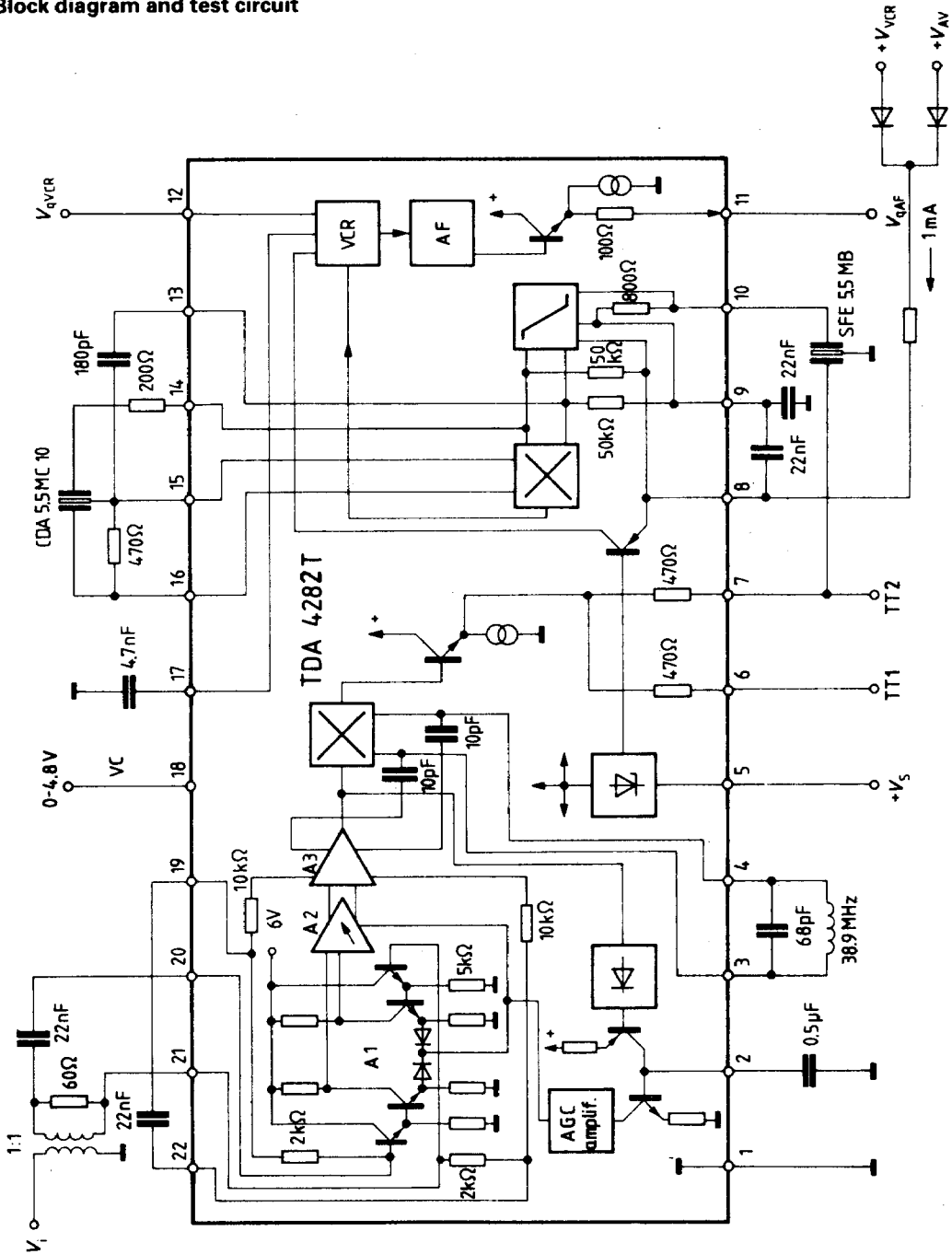
The TDA 4282 T contains essentially two functional blocks:

1. A regulated AM amplifier with a peak rectifier to generate the AGC voltage. The AM amplifier drives an FM demodulator, at the output of which the differential sound carrier (38.9 MHz–33.4 MHz = 5.5 MHz) is available. The double sideband portions close to the carrier are suppressed. The 5.5 MHz carrier reaches the functional block via an external selection.
2. An FM limiter amplifier with coincidence demodulator, a standard VCR connector and a separate AF output with volume control.

Pin assignment

Pin No.	Pin designation
1	Ground
2	AM-IF control
3	AM amplifier demodulator
4	AM amplifier demodulator
5	Supply voltage (plus)
6	AM amplifier sound carrier output TT 1
7	AM amplifier sound carrier output TT 2
8	AM-IF amplifier negative feedback for working point
9	AM-IF amplifier negative feedback for working point
10	FM-IF amplifier IF input
11	AF output
12	VCR connection
13	FM-IF amplifier emitter follower output
14	FM-IF amplifier emitter follower output
15	FM amplifier demodulator
16	FM amplifier demodulator
17	Deemphasis condensator
18	Volume control
19	AM-IF negative feedback for working point
20	AM-IF amplifier IF input
21	AM-IF amplifier IF input
22	AM-IF negative feedback amplifier for working point

Block diagram and test circuit



Application circuit

