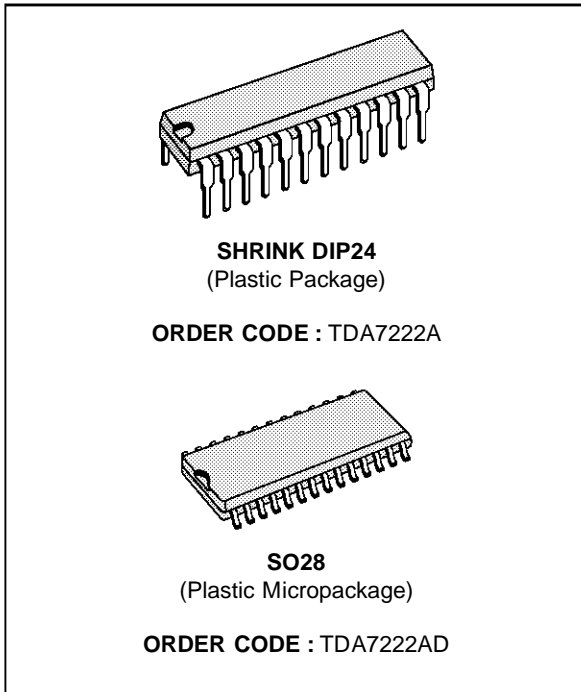


**3V AM/FM ONE-CHIP RADIO**

**ADVANCE DATA**

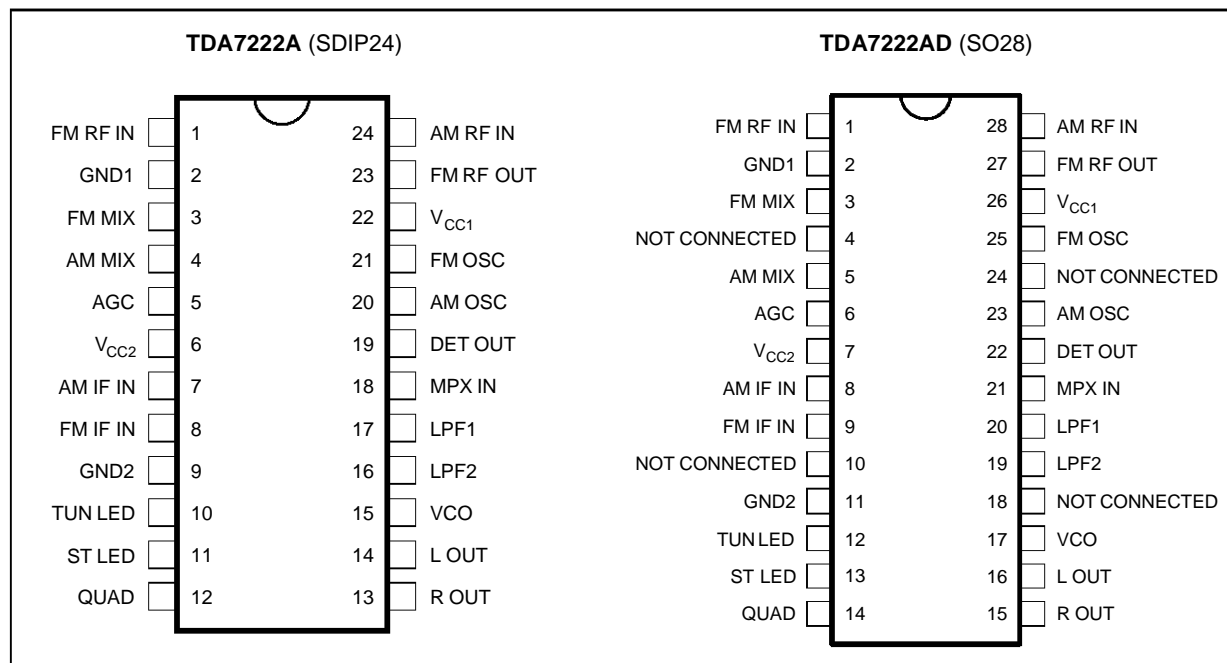
- BUILT-IN FM F/E, AM/FM IF AND FM MPX
- AM DETECTOR COIL AND IF COUPLING CAPACITOR ARE NOT NEEDED
- COMPACT PACKAGE : 24-Pin Shrink
- OPERATING SUPPLY VOLTAGE RANGE  
 $V_{CC(opr)} = 1.8 \text{ to } 7.0V$  ( $T_A = 25^\circ C$ )
- LED DRIVE CIRCUIT FOR TUNING INDICATION



**DESCRIPTION**

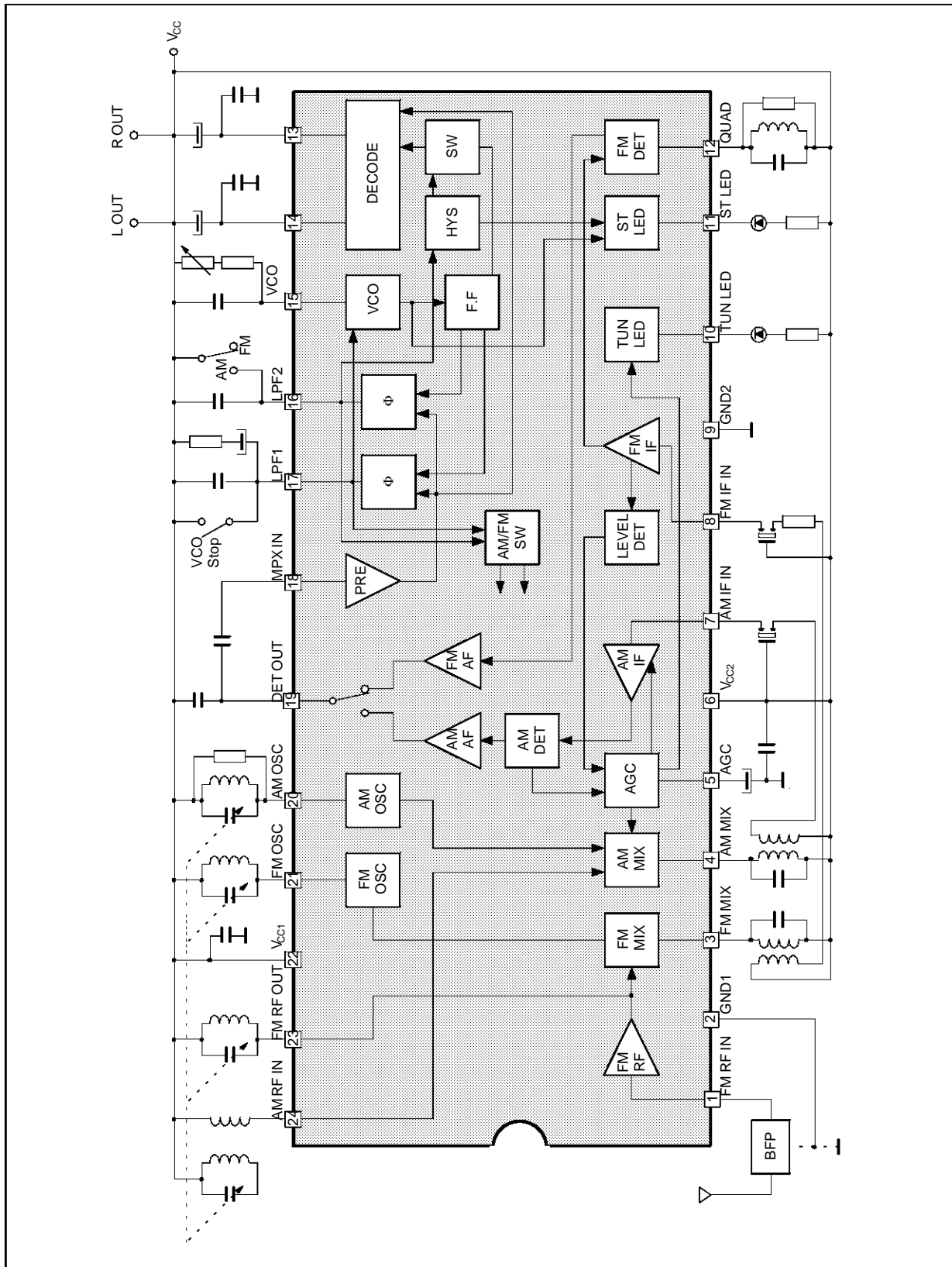
TDA7222A and TDA7222AD are AM/FM chip tuner ICs, which are designed for portable radios and 3V headphone radios.

**PIN CONNECTIONS**



7222A-01.EPS / 7222AD01.EPS

BLOCK DIAGRAM



7222A-02.EPS

**ABSOLUTE MAXIMUM RATINGS**

Symbol	Parameter	Value	Unit
V <sub>S</sub>	Supply Voltage	9	V
I <sub>LED</sub>	LED Current	10	mA
V <sub>LED</sub>	LED Voltage	10	V
T <sub>oper</sub>	Operating Temperature	-20, +70	°C
T <sub>stg</sub>	Storage Temperature	-55, +150	°C

7222A-01.TBL

**RECOMMENDED OPERATING CONDITIONS**

Symbol	Parameter	Value	Unit
V <sub>S</sub>	Supply Voltage	1.8 to 7	V
T <sub>oper</sub>	Operating Temperature	0, +70	°C

7222A-02.TBL

**ELECTRICAL CHARACTERISTICS** (unless otherwise specified)

T<sub>A</sub> = 25°C, V<sub>CC</sub> = 3V F/E : f = 83MHz, f<sub>m</sub> = 1kHz  
 FM IF : f = 10.7MHz, Δf = ± 22.5kHz, f<sub>m</sub> = 1kHz  
 AM : f = 1MHz, MOD = 30%, f<sub>m</sub> = 1kHz  
 MPX : f<sub>m</sub> = 1kHz

Symbol	Parameter	Test Conditions	Min.	Typ.	Max.	Unit	
I <sub>CC</sub> (FM)	Supply Current	V <sub>IN</sub> = 0, FM mode		13.2	20	mA	
I <sub>CC</sub> (AM)		V <sub>IN</sub> = 0, AM mode		8.4	13.5	mA	
V <sub>IN</sub> (lim)	F/E	Input Limiting Voltage	- 3dB limiting	10.0		dBμ	
V <sub>OSC</sub>		Local OSC Voltage	f <sub>OSC</sub> = 72.3MHz		105	mV <sub>RMS</sub>	
V <sub>IN</sub> (lim) IF	FM IF	Input Limiting Voltage	- 3dB limiting	40	46	53	dBμ
V <sub>OD</sub>		Recovered Output Voltage	V <sub>IN</sub> = 80dBμ	55	80	110	mV <sub>RMS</sub>
S/N		Signal to Noise Ratio	V <sub>IN</sub> = 80dBμ		70		dB
THD		Total Harmonic Distortion	V <sub>IN</sub> = 80dBμ		0.4		%
AMR		AM Rejection Ratio	V <sub>IN</sub> = 80dBμ		32		dB
V <sub>L</sub>		Lamp ON Sensitivity	I <sub>L</sub> = 1mA	45	51	56	dBμ
G <sub>V</sub>		AM	Gain	V <sub>IN</sub> = 26dBμ	40	70	110
V <sub>OD</sub>	Recovered Output Voltage		V <sub>IN</sub> = 60dBμ	55	80	110	mV <sub>RMS</sub>
S/N	Signal to Noise Ratio		V <sub>IN</sub> = 60dBμ		42		dB
THD	Total Harmonic Distortion		V <sub>IN</sub> = 60dBμ		1.0		%
V <sub>L</sub>	Lamp ON Sensitivity		I <sub>L</sub> = 1mA	20	25	30	dBμ
R19	Pin 19 Output Resistance	FM mode AM mode		0.75 12.75		kΩ kΩ	
R <sub>IN</sub>		Input Resistance		24		kΩ	
R <sub>OUT</sub>		Output Resistance		5		kΩ	
V <sub>IN</sub> (Max.) Stereo	MPX	Max. Composite Signal Input Voltage	L + R = 90%, P = 10% f <sub>m</sub> = 1kHz, THD = 3%		350		mV <sub>RMS</sub>
Sep		Separation	f <sub>m</sub> = 100Hz f <sub>m</sub> = 1kHz f <sub>m</sub> = 10kHz	L + R = 135mV <sub>RMS</sub> P = 15mV <sub>RMS</sub>	25	32 32 32	dB dB dB
THD Monaural		Total Harmonic Distortion (monaural)	V <sub>IN</sub> = 150mV <sub>RMS</sub>		0.2		%
THD Stereo		Total Harmonic Distortion (stereo)	L + R = 135mV <sub>RMS</sub> P = 15mV <sub>RMS</sub>		0.2		%
G <sub>V</sub> (MPX)		Voltage Gain	V <sub>IN</sub> = 150mV <sub>RMS</sub>	-5	-3	-1	dB
C.B.		Channel Balance	V <sub>IN</sub> = 150mV <sub>RMS</sub>	-2	0	2	dB

7222A-03.TBL

# TDA7222A - TDA7222AD

## ELECTRICAL CHARACTERISTICS (unless otherwise specified) (continued)

$T_A = 25^\circ\text{C}$ ,  $V_{CC} = 3\text{V}$     F/E :  $f = 83\text{MHz}$ ,  $f_m = 1\text{kHz}$   
 FM IF :  $f = 10.7\text{MHz}$ ,  $\Delta f = \pm 22.5\text{kHz}$ ,  $f_m = 1\text{kHz}$   
 AM :  $f = 1\text{MHz}$ ,  $\text{MOD} = 30\%$ ,  $f_m = 1\text{kHz}$   
 MPX :  $f_m = 1\text{kHz}$

Symbol	Parameter		Test Conditions	Min.	Typ.	Max.	Unit
$V_L$ (ON)	MPX	Stereo Lamp (ON) Sensitivity	Pilot Input	2	6		mV <sub>RMS</sub>
$V_L$ (OFF)		Stereo Lamp (OFF) Sensitivity			2		mV <sub>RMS</sub>
$V_H$		Stereo Lamp Hysteresis			3		mV <sub>RMS</sub>
C.R.		Capture Range	$P = 15\text{mV}_{RMS}$		$\pm 3$		%
S/N		Signal to Noise Ratio			70		dB

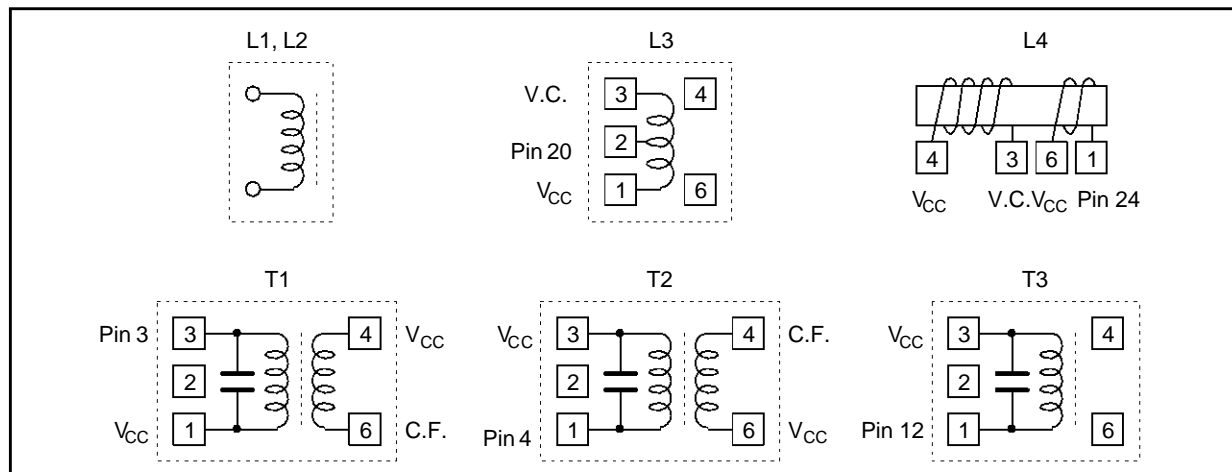
7222A-04.TBL

## COIL DATA

Coil N°		f (Hz)	L (μH)	C <sub>o</sub> (pF)	Q <sub>o</sub>	Turns					Wire	Ref. *
						1-2	2-3	1-3	1-4	4-6		
L <sub>1</sub>	FM RF	100M			100				2 1/2		0.5Ø UEW	S-53T-037-202
L <sub>2</sub>	FM OSC	100M			100			2 3/4			0.5Ø UEW	S-0258-24
L <sub>3</sub>	AM OSC	796k	238		115	13	73				0.08Ø UEW	S-4147-1356-038
T <sub>1</sub>	FM MIX	10.7M		75	100			13		2	0.1Ø UEW	S-2153-414-041
T <sub>2</sub>	AM MIX	455k		180	120			180		15	0.08Ø UEW	S-2150-2162-165
T <sub>3</sub>	FM DET	10.7M		47	165			16			0.09Ø MUEW	S-2153-4095-122

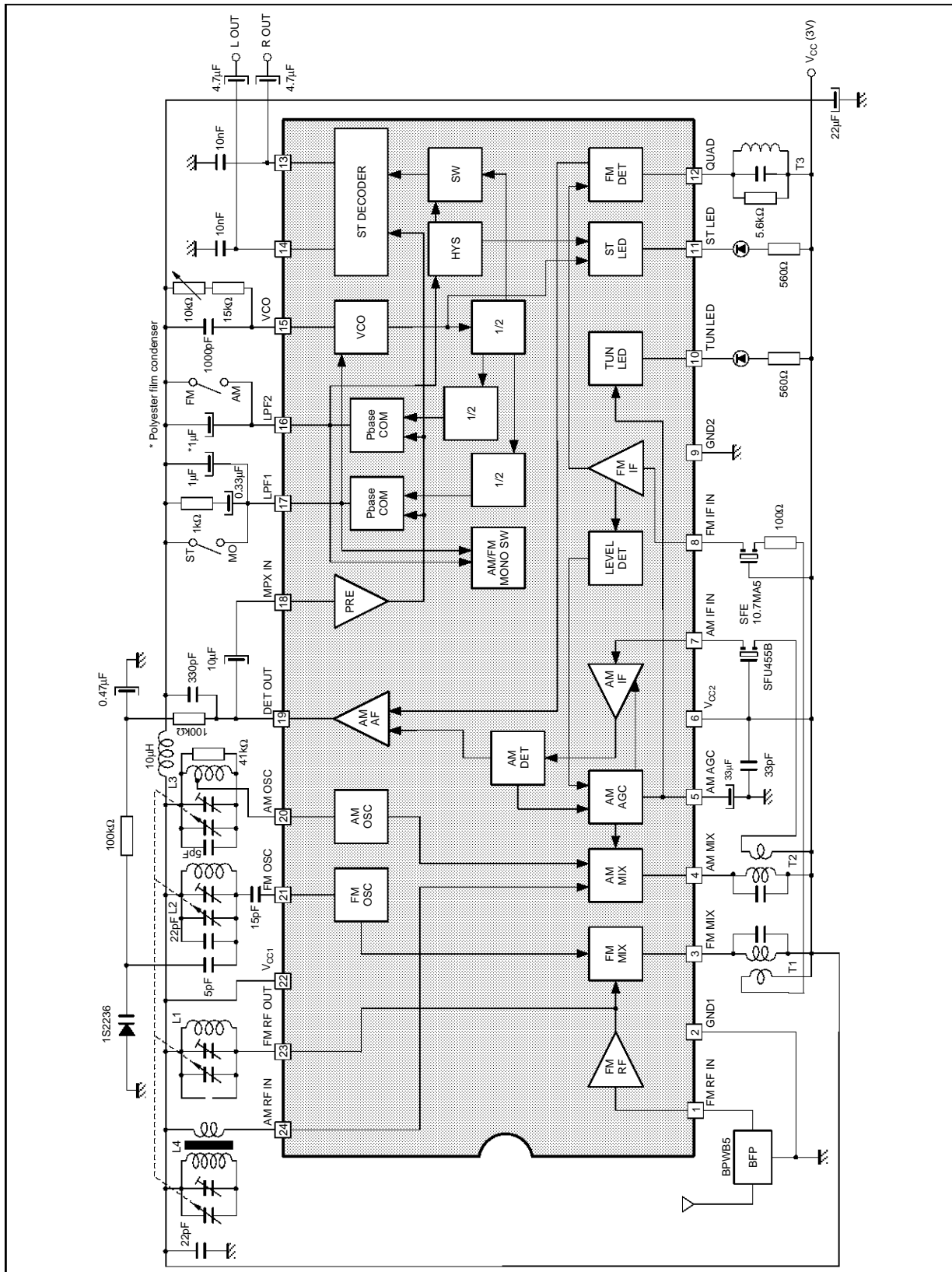
7222A-05.TBL

\* S : Sumida Electric CO, LTD.



7222A-03.EPS

APPLICATION CIRCUIT

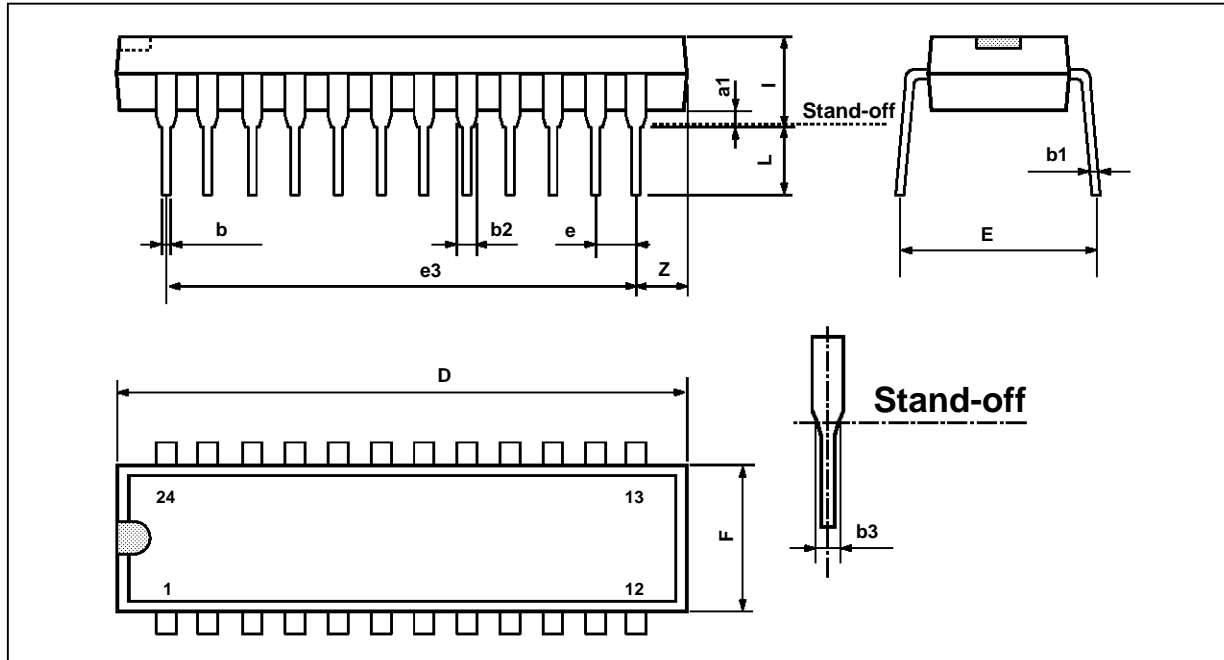


7222A-04.EPS

# TDA7222A - TDA7222AD

## PACKAGE MECHANICAL DATA (TDA7222A)

24 PINS - PLASTIC SHRINK DIP

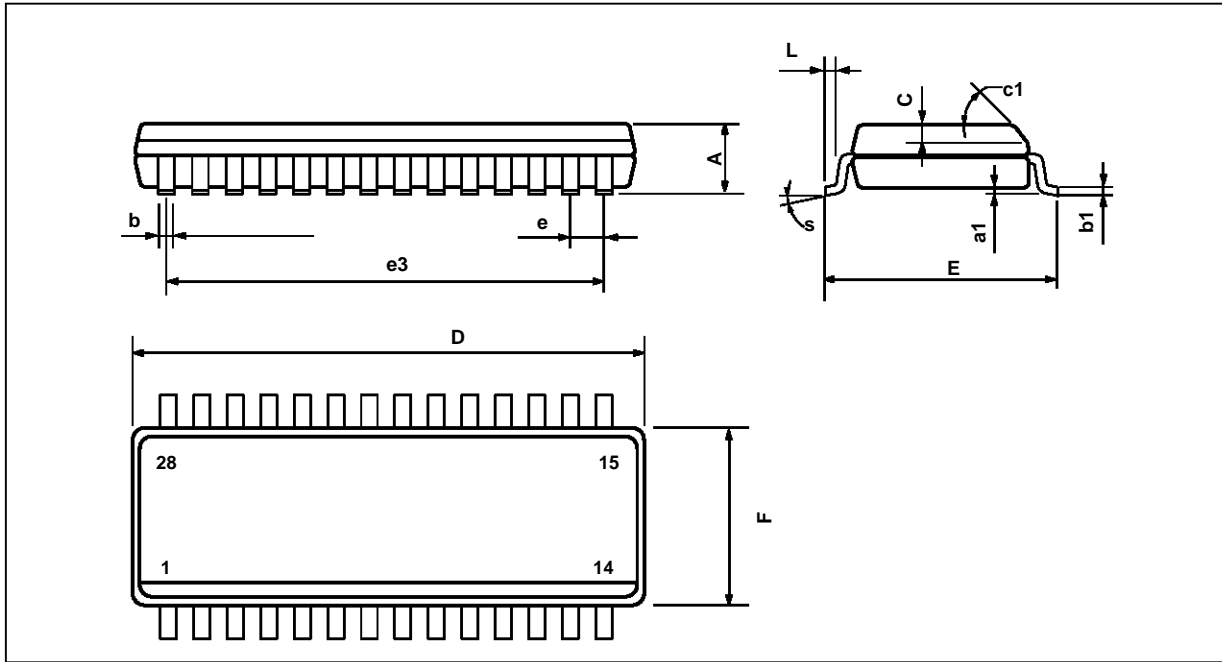


PMSDIP24.EPS

Dimensions	Millimeters			Inches		
	Min.	Typ.	Max.	Min.	Typ.	Max.
A		3.3			0.130	
a1	0.51			0.020		
b	0.35		0.59	0.014		0.023
b1	0.2		0.36	0.008		0.014
b2	0.75		1.42	0.030		0.056
b3	0.75			0.030		
D			23.11			0.910
E	7.95		9.73	0.313		0.383
e		1.778			0.070	
e3		19.558			0.770	
e4		7.62			0.300	
F			6.86			0.270
i			5.08			0.200
L	2.54			0.100		

SDIP24.TBL

**PACKAGE MECHANICAL DATA (TDA7222AD)**  
 28 PINS - PLASTIC MICROPACKAGE (SO)



PM-SO28EFS

Dimensions	Millimeters			Inches		
	Min.	Typ.	Max.	Min.	Typ.	Max.
A			2.65			0.104
a1	0.1		0.3	0.004		0.012
b	0.35		0.49	0.014		0.019
b1	0.23		0.32	0.009		0.013
C		0.5			0.020	
c1	45° (typ.)					
D	17.7		18.1	0.697		0.713
E	10		10.65	0.394		0.419
e		1.27			0.050	
e3		16.51			0.65	
F	7.4		7.6	0.291		0.299
L	0.4		1.27	0.016		0.050
S	8° (max.)					

SO28.TBL

Information furnished is believed to be accurate and reliable. However, SGS-THOMSON Microelectronics assumes no responsibility for the consequences of use of such information nor for any infringement of patents or other rights of third parties which may result from its use. No licence is granted by implication or otherwise under any patent or patent rights of SGS-THOMSON Microelectronics. Specifications mentioned in this publication are subject to change without notice. This publication supersedes and replaces all information previously supplied. SGS-THOMSON Microelectronics products are not authorized for use as critical components in life support devices or systems without express written approval of SGS-THOMSON Microelectronics.

© 1995 SGS-THOMSON Microelectronics - All Rights Reserved

Purchase of I<sup>2</sup>C Components of SGS-THOMSON Microelectronics, conveys a license under the Philips I<sup>2</sup>C Patent. Rights to use these components in a I<sup>2</sup>C system, is granted provided that the system conforms to the I<sup>2</sup>C Standard Specifications as defined by Philips.

SGS-THOMSON Microelectronics GROUP OF COMPANIES

Australia - Brazil - China - France - Germany - Hong Kong - Italy - Japan - Korea - Malaysia - Malta - Morocco  
 The Netherlands - Singapore - Spain - Sweden - Switzerland - Taiwan - Thailand - United Kingdom - U.S.A.