

---

# HA16141P/FP, HA16142P/FP

## PFC and PWM Controller

# HITACHI

ADE-204-036D (Z)

Preliminary  
Rev. 4  
Sep. 2001

---

### Description

The HA16141P/FP and the HA16142P/FP are power supply controller ICs combining an AC-DC converter switching controllers for power factor correction and off-line power supply switching controllers. PFC (Power factor correction) section employs average current mode PWM and off-line power supply control section employs peak current mode PWM.

The HA16142P/FP is the change version of HA16141P/FP's PWM maximum on duty cycle.

The PFC operation can be turned on and off by external control signal. Use of this on/off function makes it possible to disable PFC operation at a low line voltage, or to perform remote control operation from the transformer secondary side. The PFC power supply boosted output voltage is not only fed to an error amplifier input signal but also fed to as the boost voltage monitor circuit.  $\overline{\text{PG}}$  signal is put out if the boost voltage is out-of-spec.

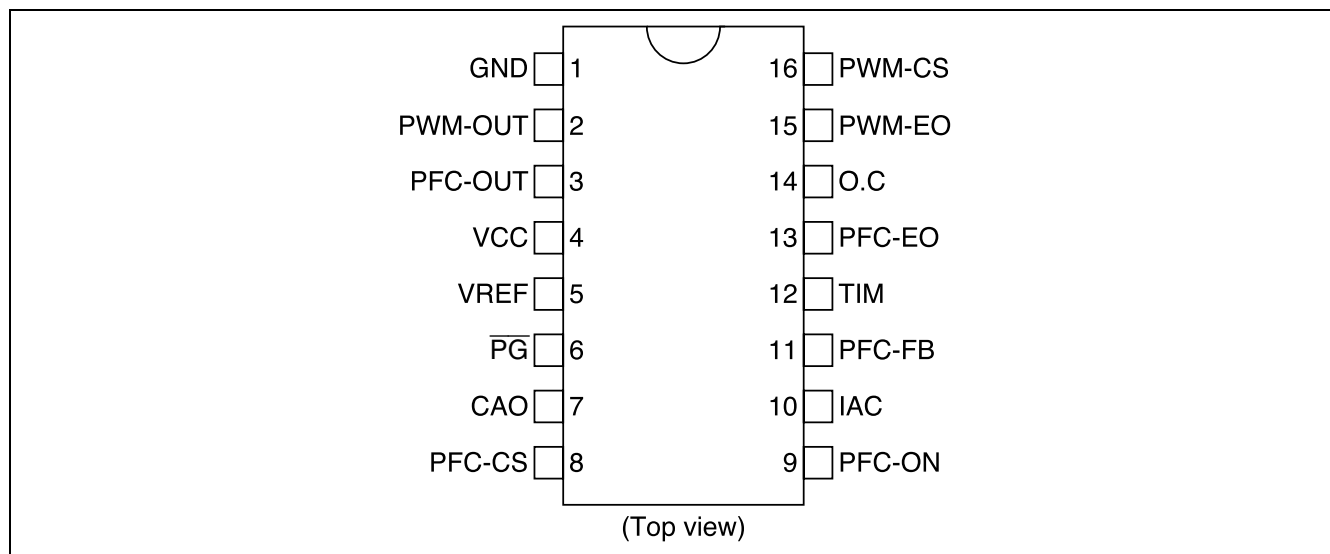
The PWM controller, which begins operation at the same time as release of the IC's UVLO (under-voltage lockout) is suitable for auxiliary power supply use in a multi-output power supply system.

### Features

- Synchronized PFC and PWM timing
- Self oscillation with fixed frequency
  - PFC : 100 kHz ( $\pm 15\%$ )
  - PWM : 200 kHz ( $\pm 15\%$ )
- PFC function on/off control
- PFC boosted output voltage monitor
- High-output current gate drivers
  - PFC driver peak current :  $\pm 1.5$  A typ.
  - PWM driver peak current :  $\pm 1.0$  A typ.
- PWM maximum on duty cycle
  - 72% min (HA16141P/FP)
  - 49.5% max (HA16142P/FP)



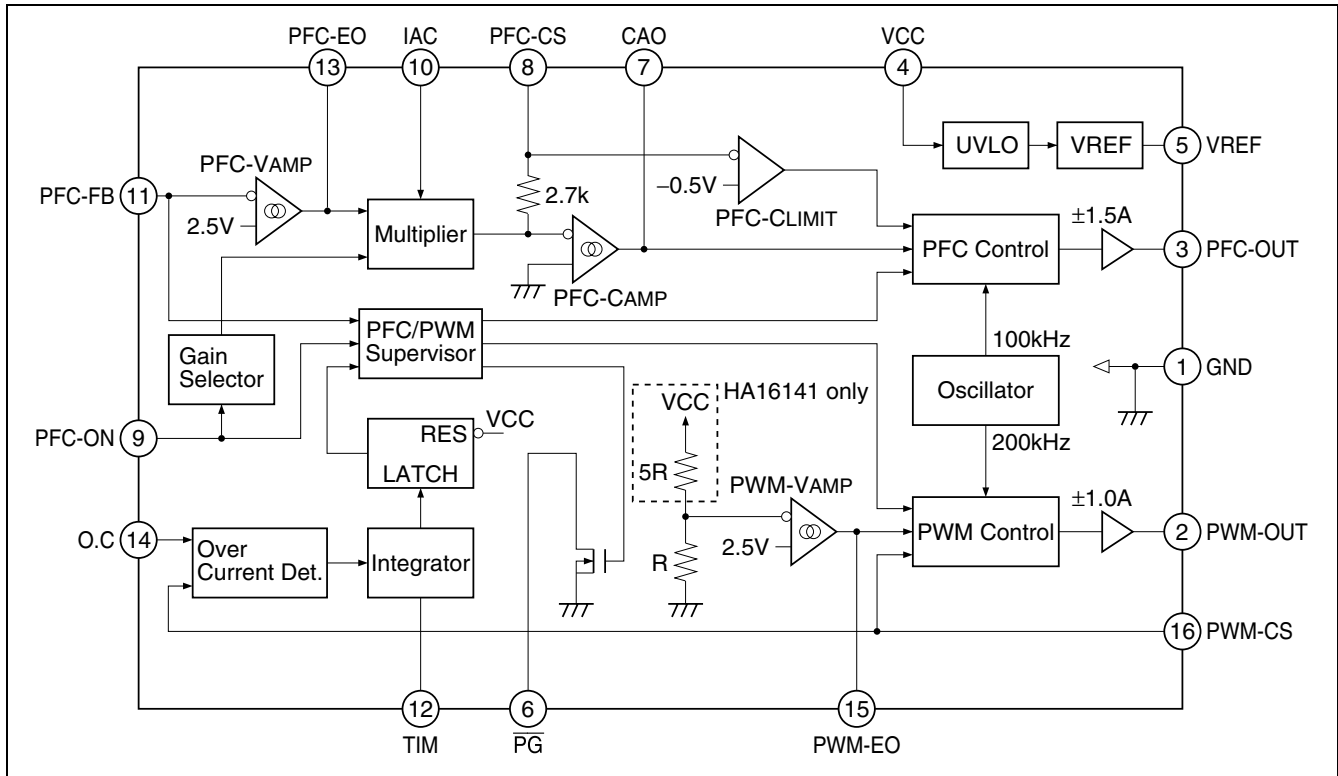
## Pin Arrangement



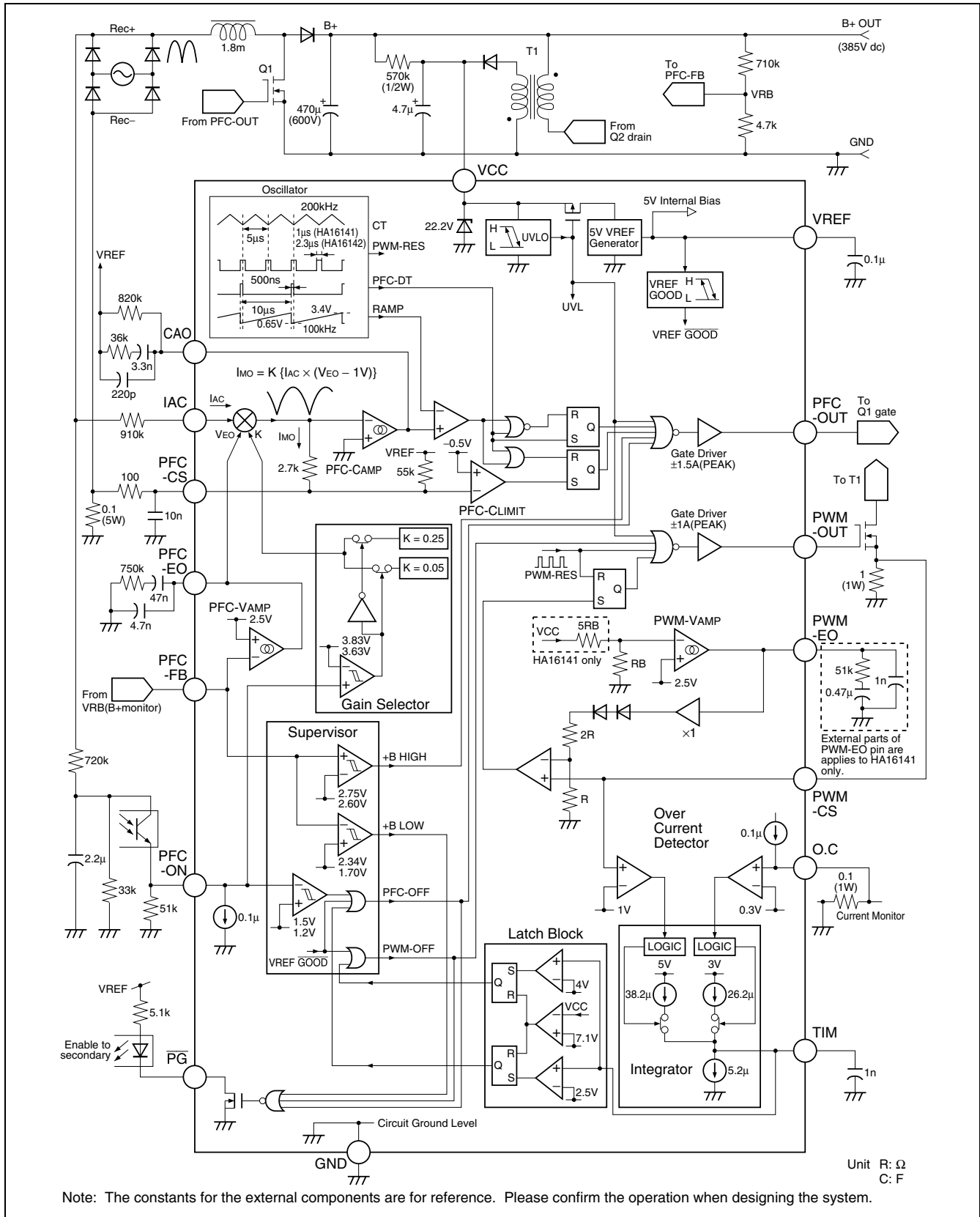
## Pin Description

Pin No.	Symbol	Function
1	GND	Ground
2	PWM-OUT	Power MOS FET driver output (PWM control)
3	PFC-OUT	Power MOS FET driver output (PFC control)
4	VCC	Supply voltage
5	VREF	Reference voltage
6	$\overline{\text{PG}}$	Power Good signal output (open-drain output)
7	CAO	Average current control error amp. output
8	PFC-CS	PFC control current sense signal input
9	PFC-ON	PFC function on/off signal input
10	IAC	Multiplier reference current input
11	PFC-FB	PFC control error amp. input
12	TIM	Overcurrent timer time setting
13	PFC-EO	PFC control error amp. output
14	O.C	Overcurrent detector signal input
15	PWM-EO	PWM control error amp. output (photocoupler input also possible) (HA16141 only) PWM control feedback voltage signal input (HA16142 only)
16	PWM-CS	PWM control current sense signal input

Block Diagram



## System Diagram

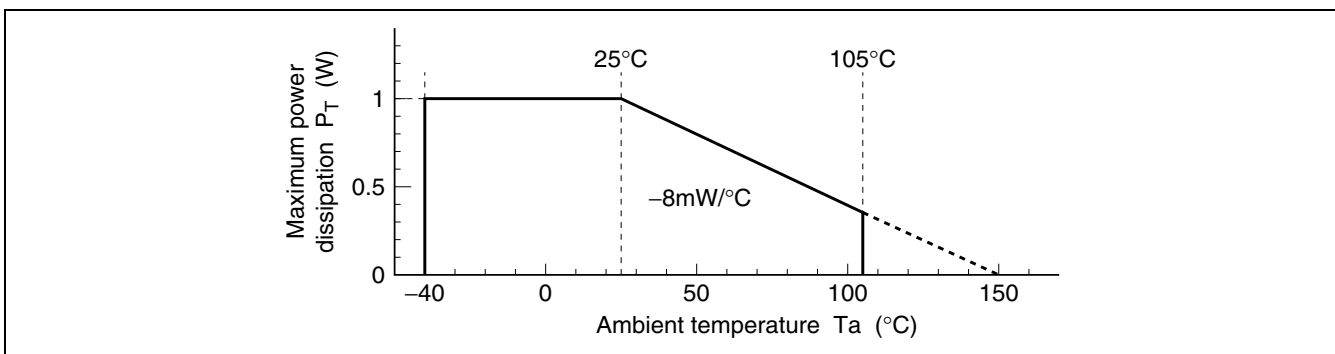


**Absolute Maximum Ratings**

(Ta = 25°C)

Item	Symbol	Rating	Unit	Note
Supply voltage	V <sub>cc</sub>	20	V	
Peak PFC-OUT current	I <sub>pk-pfc</sub>	±1.5	A	3
Peak PWM-OUT current	I <sub>pk-pwm</sub>	±1.0	A	3
DC PFC-OUT current	I <sub>dc-pfc</sub>	±0.15	A	
DC PWM-OUT current	I <sub>dc-pwm</sub>	±0.10	A	
Terminal voltage	Vi-group1	-0.3 to V <sub>cc</sub>	V	4
	Vi-group2	-0.3 to V <sub>ref</sub>	V	5
CAO voltage	V <sub>cao</sub>	-0.3 to V <sub>eah-ca</sub>	V	
PFC-EO voltage	V <sub>pfc-eo</sub>	-0.3 to V <sub>eah-pfc</sub>	V	
PWM-EO voltage	V <sub>pwm-eo</sub>	-0.3 to V <sub>eah-pwm</sub>	V	
PFC-ON voltage	V <sub>pfc-on</sub>	-0.3 to +7	V	
IAC voltage	Vi-ac	-0.3 to +5	V	
IAC current	I <sub>i-ac</sub>	0.8	mA	
PFC-CS voltage	Vi-cs	-1.5 to +0.3	V	
TIM voltage	Vi-tim	-0.3 to +6	V	
VREF current	I <sub>o-ref</sub>	-20	mA	
P <sub>G</sub> voltage	V <sub>o-pg</sub>	-0.3 to +7	V	
P <sub>G</sub> current	I <sub>o-pg</sub>	15	mA	
Power dissipation	P <sub>T</sub>	1	W	6
Operating temperature	T <sub>opr</sub>	-40 to +105	°C	
Storage temperature	T <sub>stg</sub>	-55 to +150	°C	
Junction temperature	T <sub>j</sub>	150	°C	

- Notes:
1. Rated voltages are with reference to the GND pin.
  2. For rated currents, inflow to the IC is indicated by (+), and outflow by (-).
  3. Shows the transient current when driving a capacitive load.
  4. Group1 is the rated voltage for the following pins: PFC-OUT, PWM-OUT
  5. Group2 is the rated voltage for the following pins: VREF, PFC-FB, PWM-CS
  6. This is the value when the ambient temperature (Ta) is 25°C or below. If Ta exceeds 25°C, the graph below applies. For the SOP package, this value is based on actual measurements on a 10% wiring density glass epoxy circuit board (40 mm × 40 mm × 1.6 mm).



# HA16141P/FP, HA16142P/FP

## Electrical Characteristics

(Ta = 25°C, V<sub>CC</sub> = 14 V)

Item	Symbol	Min	Typ	Max	Unit	Test Conditions	
Supply	Start threshold	V <sub>H</sub>	12.2	13.0	13.8	V	
	Shutdown threshold	V <sub>L</sub>	9.4	10.0	10.6	V	
	UVLO hysteresis	dV <sub>UVL</sub>	2.6	3.0	3.4	V	
	Start-up current	I <sub>S</sub>	150	200	300	μA	V <sub>CC</sub> = 12V
	Is temperature stability	di <sub>S</sub> /dT <sub>a</sub>	—	-0.3	—	%/°C	*1
	Operating current	I <sub>CC</sub>	4	7	9	mA	IAC = 100μA, C <sub>L</sub> = 0F
	Latch current	I <sub>LATCH</sub>	230	310	375	μA	V <sub>CC</sub> = 9V
	Shunt zener voltage	V <sub>Z</sub>	21.2	22.2	23.2	V	I <sub>CC</sub> = 14mA
	Vz temperature stability	dV <sub>Z</sub> /dT <sub>a</sub>	—	+4	—	mV/°C	I <sub>CC</sub> = 14mA *1
PFC-OUT	Minimum duty cycle	Dmin-pfc	—	—	0	%	CAO = 3.6V
	Maximum duty cycle	Dmax-pfc	90	95	98	%	CAO = 0V
	Rise time	t <sub>r</sub> -pfc	—	30	100	ns	C <sub>L</sub> = 1000p
	Fall time	t <sub>f</sub> -pfc	—	30	100	ns	C <sub>L</sub> = 1000p
	Peak current	I <sub>pk</sub> -pfc	—	1.5	—	A	C <sub>L</sub> = 0.01μF *1
	Low voltage	Vol1-pfc	—	0.05	0.2	V	I <sub>out</sub> = 20mA
		Vol2-pfc	—	0.35	1.4	V	I <sub>out</sub> = 200mA
		Vol3-pfc	—	0.03	0.7	V	I <sub>out</sub> = 10mA, V <sub>CC</sub> = 5V
	High voltage	Voh1-pfc	13.5	13.9	—	V	I <sub>out</sub> = -20mA
Voh2-pfc		12.6	13.3	—	V	I <sub>out</sub> = -200mA	
PWM-OUT	Minimum duty cycle	Dmin-pwm	—	—	0	%	PWM-EO = 1.3V PWM-CS = 0V
	Maximum duty cycle	Dmax-pwm	72	80	88	%	PWM-EO = 5V PWM-CS = 0V *2
			42.5	46	49.5	%	PWM-EO = 5V PWM-CS = 0V *3
	Rise time	t <sub>r</sub> -pwm	—	30	100	ns	C <sub>L</sub> = 1000p
	Fall time	t <sub>f</sub> -pwm	—	30	100	ns	C <sub>L</sub> = 1000p
	Peak current	I <sub>pk</sub> -pwm	—	1.0	—	A	C <sub>L</sub> = 0.01μF *1
	Low voltage	Vol1-pwm	—	0.05	0.2	V	I <sub>out</sub> = 20mA
		Vol2-pwm	—	0.5	2.0	V	I <sub>out</sub> = 200mA
		Vol3-pwm	—	0.03	0.7	V	I <sub>out</sub> = 10mA, V <sub>CC</sub> = 5V
	High voltage	Voh1-pwm	13.5	13.9	—	V	I <sub>out</sub> = -20mA
		Voh2-pwm	12.0	13.0	—	V	I <sub>out</sub> = -200mA
VREF	Output voltage	V <sub>ref</sub>	4.9	5.0	5.1	V	I <sub>source</sub> = 1mA
	Line regulation	V <sub>ref</sub> -line	—	5	20	mV	I <sub>source</sub> = 1mA V <sub>CC</sub> = 12V to 18V
	Load regulation	V <sub>ref</sub> -load	—	5	20	mV	I <sub>source</sub> = 1mA to 20mA
	Temperature stability	dV <sub>ref</sub>	—	80	—	ppm/°C	T <sub>a</sub> = -40 to 105°C *1

- Note: 1. Design spec.  
2. Apply to HA16141.  
3. Apply to HA16142.

**Electrical Characteristics**

 (Ta = 25°C, V<sub>cc</sub> = 14 V) (cont.)

Item		Symbol	Min	Typ	Max	Unit	Test Conditions
Oscillator	Initial accuracy	fpwm	170	200	230	kHz	Measured pin: PWM-OUT
		fpcf	85	100	115	kHz	Measured pin: PFC-OUT
	fpwm temperature stability	dfpwm/dTa	—	±0.1	—	%/°C	Ta = -40 to 105°C *1
	fpwm voltage stability	fpwm(line)	-1.5	+0.5	+1.5	%	V <sub>cc</sub> = 12V to 18V
	Ramp peak voltage	Vramp-H	—	3.4	3.6	V	
	Ramp valley volatge	Vramp-L	—	0.65	—	V	*1
PFC-ON	PFC on voltage	Von-pfc	1.3	1.5	1.7	V	
	PFC off voltage	Voff-pfc	1.0	1.2	1.4	V	
	PFC on-off hysteresis	dVon-off	0.15	0.30	0.45	V	
	Input current	lpfc-on	—	0.1	1.0	μA	PFC-ON = 2V
Supervisor/ PG	PFC GOOD threshold voltage	Vb-good	2.29	2.34	2.39	V	Input pin: PFC-FB
	PFC FAIL threshold voltage	Vb-fail	1.66	1.70	1.74	V	Input pin: PFC-FB
	+B High PFC inhibit voltage	Vb-h	2.69	2.75	2.81	V	Input pin: PFC-FB
	+B High PFC restart voltage	Vb-res	2.54	2.60	2.66	V	Input pin: PFC-FB
	PG leak current	loff-pg	—	0.001	1.0	μA	PG = 5V
	PG shunt current	lon-pg	5	15	—	mA	PG = 3V *2
	Delay to PG	tg-pg	—	0.2	1	μs	Step signal (5 to 0V) to PFC-ON
O.C (Over Current Detector)	O.C threshold voltage	V <sub>oc</sub>	0.27	0.30	0.33	V	
	PWM-CS threshold voltage	V <sub>cs</sub>	0.9	1.0	1.1	V	
	O.C input current	I <sub>oc</sub>	—	-0.1	-1.0	μA	O.C = 0V
Integrator	Sink current	Isnk-tim	3.9	5.2	6.5	μA	TIM = 2V
	Source current O.C trigger	Isrc-tim1	-16	-21	-26	μA	TIM = 2V, O.C = 0.5V *1
	Source Current PWM-CS trigger	Isrc-tim2	-25	-33	-41	μA	TIM = 2V, PWM-CS = 2V *1
	Integrated time O.C trigger	t-tim1	88	110	132	μs	Step signal (0 to 1V) to O.C, Ctim = 1000p, Measured pin: PG
	Integrated Time PWM-CS trigger	t-tim2	53	67	81	μs	Step signal (0 to 2V) to PWM-CS, Ctim = 1000p, Measured pin: PG

Notes: 1. Design spec.

2. Maximum rating of PG current is 15 mA. Use series resistor to limit PG current lower than 15 mA.

# HA16141P/FP, HA16142P/FP

## Electrical Characteristics

( $T_a = 25^\circ\text{C}$ ,  $V_{cc} = 14\text{ V}$ ) (cont.)

Item		Symbol	Min	Typ	Max	Unit	Test Conditions
Latch	Threshold voltage for PFC stop	Vlch-pfc	2.4	2.5	2.6	V	Input pin: TIM
	Threshold Voltage for PWM stop	Vlch-sys	3.8	4.0	4.2	V	Input pin: TIM
	Latch Reset Voltage	Vcc-res	6.1	7.1	8.1	V	
PWM-VAMP	Feedback $V_{cc}$ voltage	Vfb-pwm	14.2	14.8	15.4	V	PWM-EO = 2.5V * <sup>2</sup>
	Open loop gain	Av-pwm	—	45	—	dB	* <sup>1</sup> , * <sup>2</sup>
	High voltage	Veoh-pwm	5.1	5.7	6.3	V	$V_{cc} = 14\text{V}$ , PWM-EO: Open
	Low voltage	Veol-pwm	—	0.1	0.3	V	$V_{cc} = 16\text{V}$ , PWM-EO: Open * <sup>2</sup>
	Source current	Isrc-pwm	—	-77	—	$\mu\text{A}$	* <sup>1</sup> $V_{cc} = 11\text{V}$
	Sink current	Isnk-pwm	—	77	—	$\mu\text{A}$	* <sup>1</sup> $V_{cc} = 18\text{V}$ * <sup>2</sup>
	Transconductance respect to $V_{cc}$	Gm-pwm	19	27	35	$\mu\text{A/V}$	$V_{cc} = 15\text{V}$ , PWM-EO = 2.5V * <sup>2</sup>
PWM current sense	Delay to output	td-cs	—	210	300	ns	PWM-EO = 5V, PWM-CS = 0 to 2V
PFC current limit	Threshold voltage	$V_{LM}$	-0.47	-0.50	-0.53	V	
	Delay to output	td- $_{LM}$	—	280	500	ns	PFC-CS = 0 to -1V
PFC-VAMP	Feedback voltage	Vfb-pfc	2.45	2.50	2.55	V	PFC-EO = 2.5V
	Input bias current	I <sub>fb-pfc</sub>	-0.30	-0.07	+0.30	$\mu\text{A}$	Measured pin: PFC-FB
	Open loop gain	Av-pfc	—	65	—	dB	* <sup>1</sup>
	High voltage	Veoh-pfc	5.1	5.7	6.3	V	PFC-FB = 2.3V, PFC-EO: Open
	Low voltage	Veol-pfc	—	0.1	0.3	V	PFC-FB = 2.7V, PFC-EO: Open
	Source current	Isrc-pfc	-62	-77	-93	$\mu\text{A}$	PFC-FB = 1.0V, PFC-EO = 2.5V
	Sink current	Isnk-pfc	62	77	93	$\mu\text{A}$	PFC-FB = 4.0V, PFC-EO = 2.5V
	Transconductance	Gm-pfcv	120	160	200	$\mu\text{A/V}$	PFC-FB = 2.5V, PFC-EO = 2.5V

Note: 1. Design spec.  
2. Apply to HA16141.



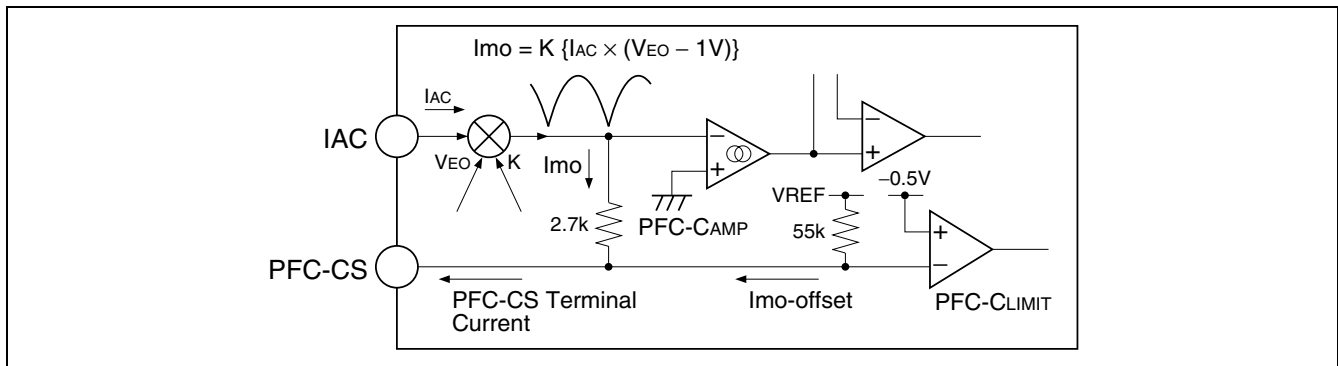
**Electrical Characteristics**

(Ta = 25°C, V<sub>CC</sub> = 14 V) (cont.)

Item		Symbol	Min	Typ	Max	Unit	Test Conditions
PFC-CAMP	Input offset voltage	V <sub>io-ca</sub>	—	±7	—	mV	*1
	Open loop gain	A <sub>v-ca</sub>	—	65	—	dB	*1
	High voltage	V <sub>eh-ca</sub>	5.1	5.7	6.3	V	
	Low voltage	V <sub>el-ca</sub>	—	0.1	0.3	V	
	Source current	I <sub>src-ca</sub>	—	-77	—	μA	CAO = 2.5V *1
	Sink current	I <sub>snk-ca</sub>	—	77	—	μA	CAO = 2.5V *1
	Transconductance	G <sub>m-pfcc</sub>	120	160	200	μA/V	*1
IAC/ Multiplier	IAC PIN voltage	V <sub>iac</sub>	0.7	1.0	1.3	V	IAC = 100μA
	Terminal offset current	I <sub>mo-offset</sub>	-56	-75	-94	μA	IAC = 0A, PFC-CS = 0V, Measured pin: PFC-CS
	Output current (PFC-ON = 3.4V)	I <sub>mo1</sub>	—	-25	—	μA	PFC-EO = 2V, IAC = 100μA *1, *2
		I <sub>mo2</sub>	—	-75	—	μA	PFC-EO = 4V, IAC = 100μA *1, *2
	Output current (PFC-ON = 3.9V)	I <sub>mo3</sub>	—	-5	—	μA	PFC-EO = 2V, IAC = 100μA *1, *2
		I <sub>mo4</sub>	—	-15	—	μA	PFC-EO = 4V, IAC = 100μA *1, *2
	PFC-CS resistance	R <sub>mo</sub>	—	2.7	—	kΩ	*1
	Gain selector	Threshold voltage for K = 0.05	V <sub>K-H</sub>	3.71	3.83	3.95	V
Threshold voltage for K = 0.25		V <sub>K-L</sub>	3.51	3.63	3.75	V	
V <sub>K</sub> hysteresis voltage		dV <sub>K</sub>	0.15	0.20	0.25	V	*1

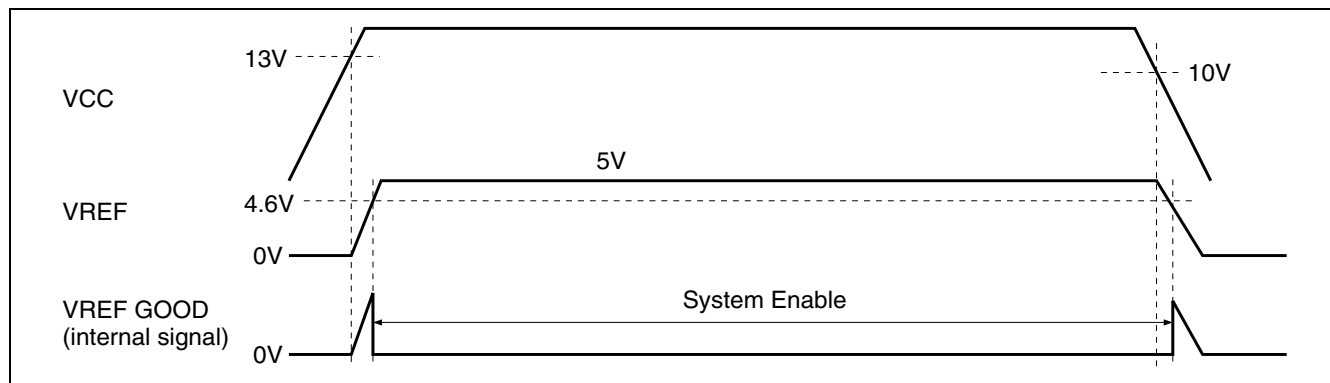
Notes: 1. Design spec.

2. I<sub>mo1</sub> to I<sub>mo4</sub> are defined as,  
I<sub>mo</sub> = (PFC-CS Terminal Current) – (I<sub>mo-offset</sub>)

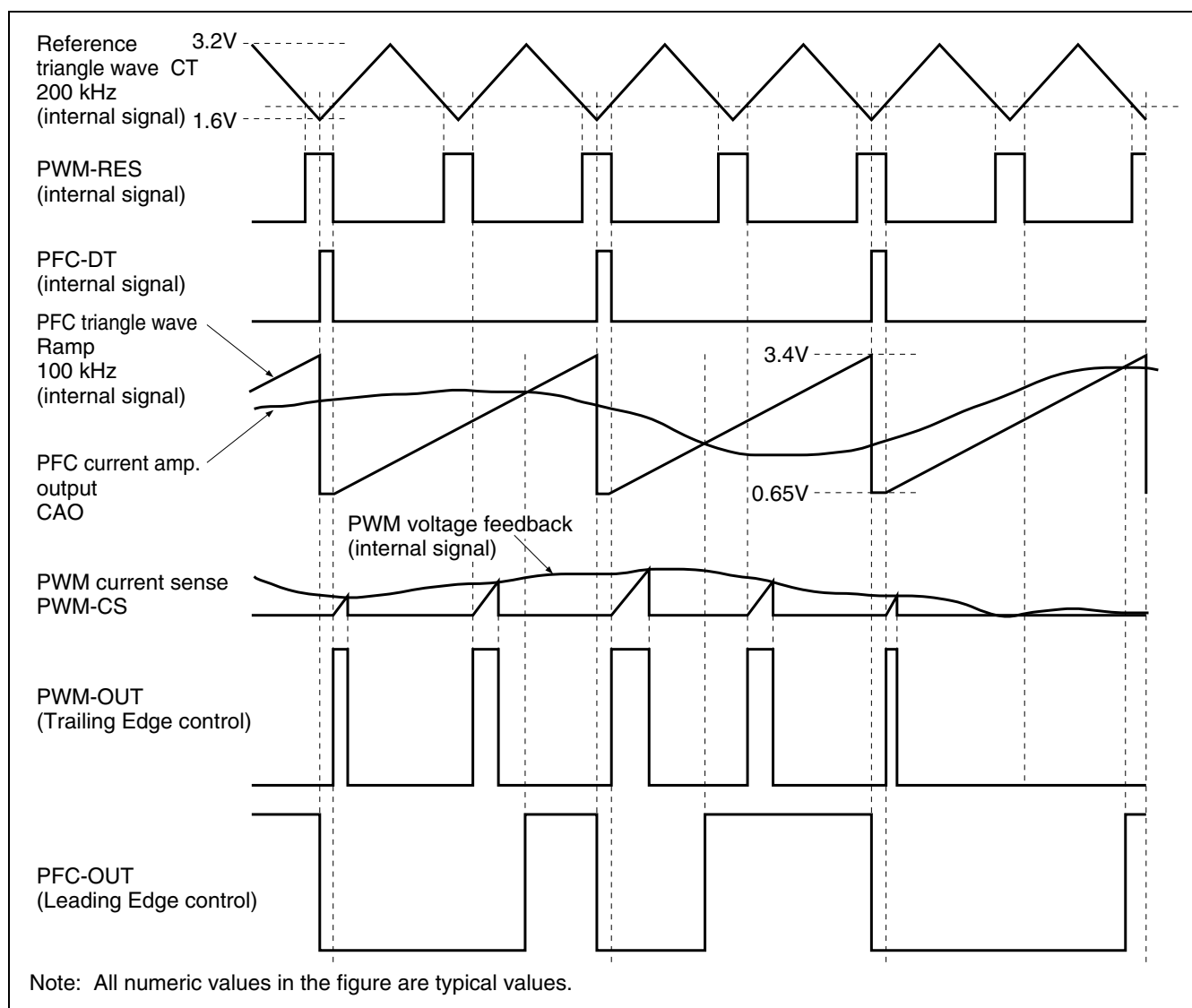


## Internal Timing

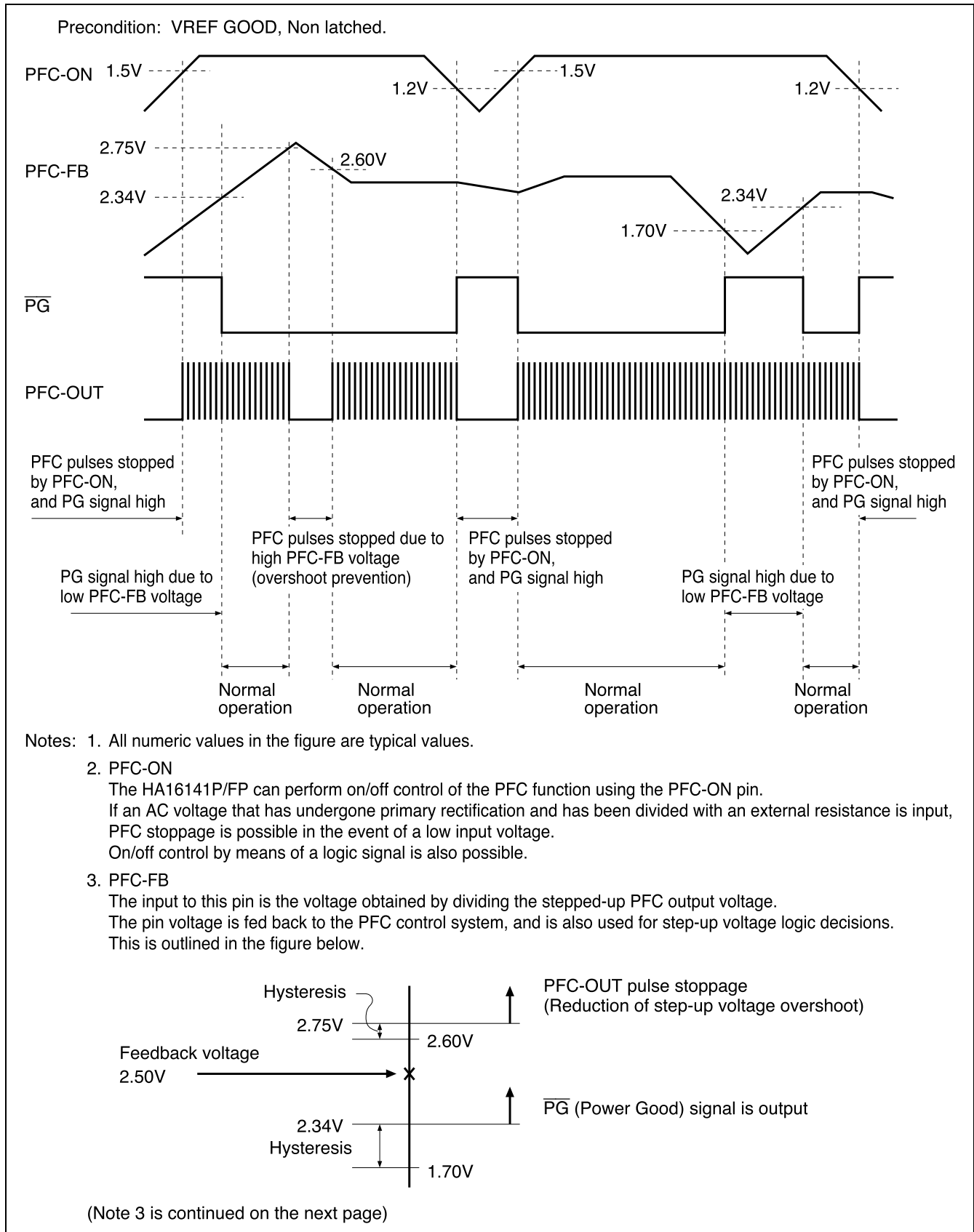
### 1. UVLO



### 2. Oscillator, Gate driver output



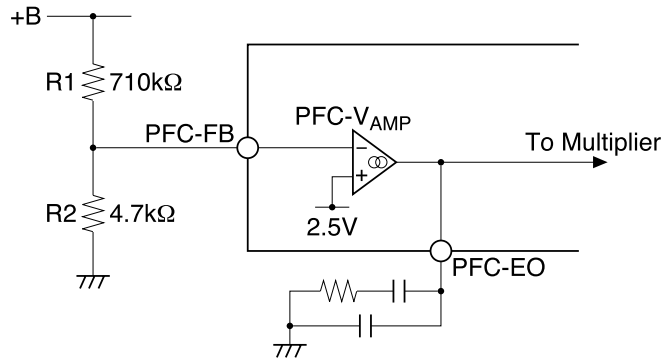
## 3. PFC controller status



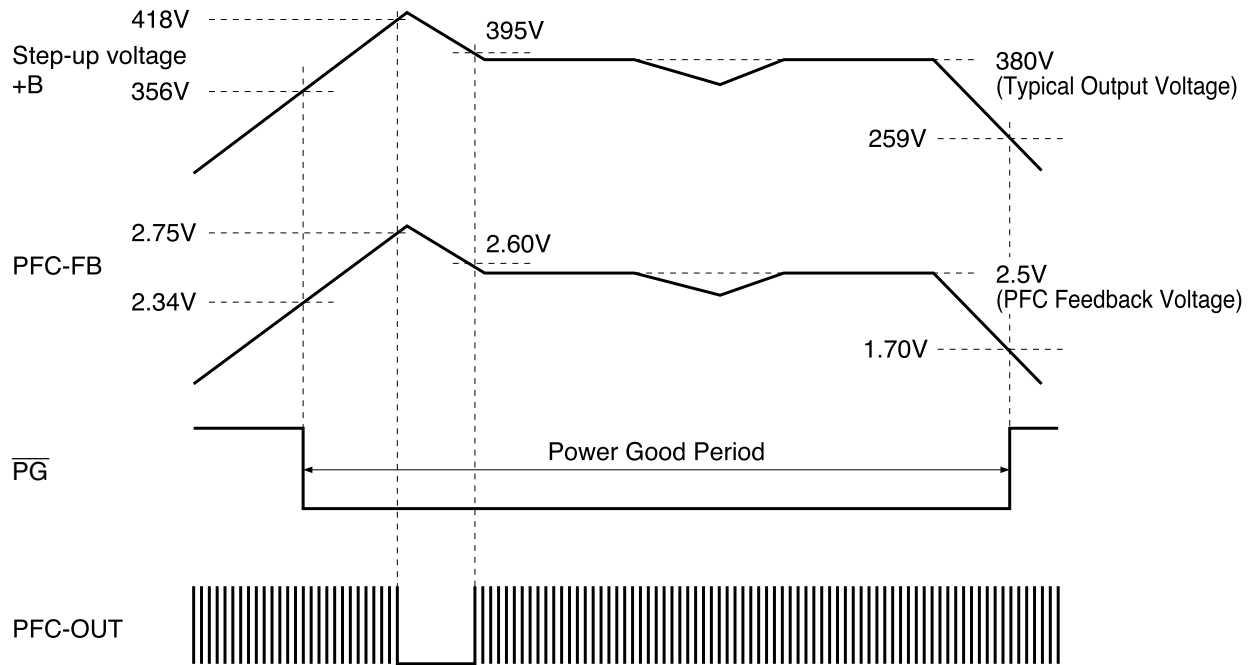
## 3. PFC controller status (cont.)

### Notes: 3. PFC-FB (cont.)

The actual input voltage to the PFC-FB pin is the step-up voltage divided with a resistance (see figure below).  
 If R1 is set as 710 kΩ and R2 as 4.7 kΩ, the decision voltage at the step-up pin (+B) is as shown in the figure below.



Precondition: VREF GOOD, PFC-ON, Non latched.

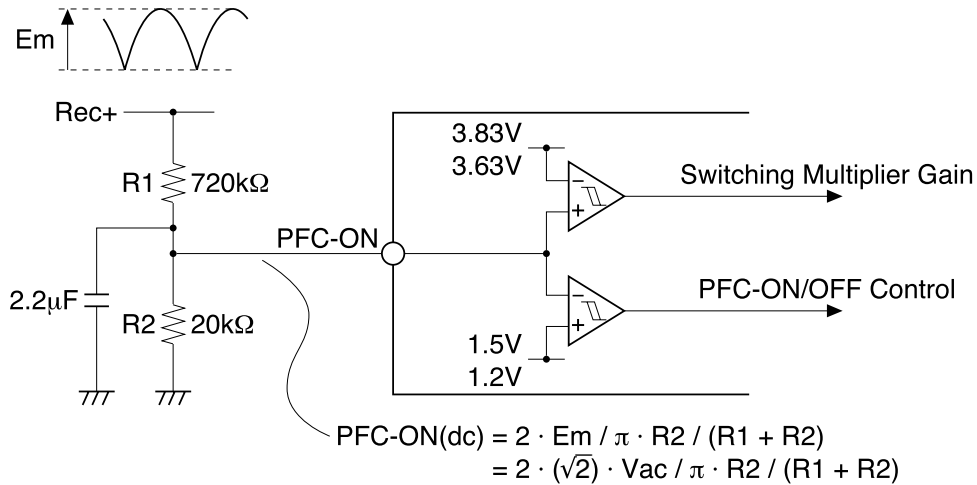


Notes: 4. All numeric values in the figure are typical values.

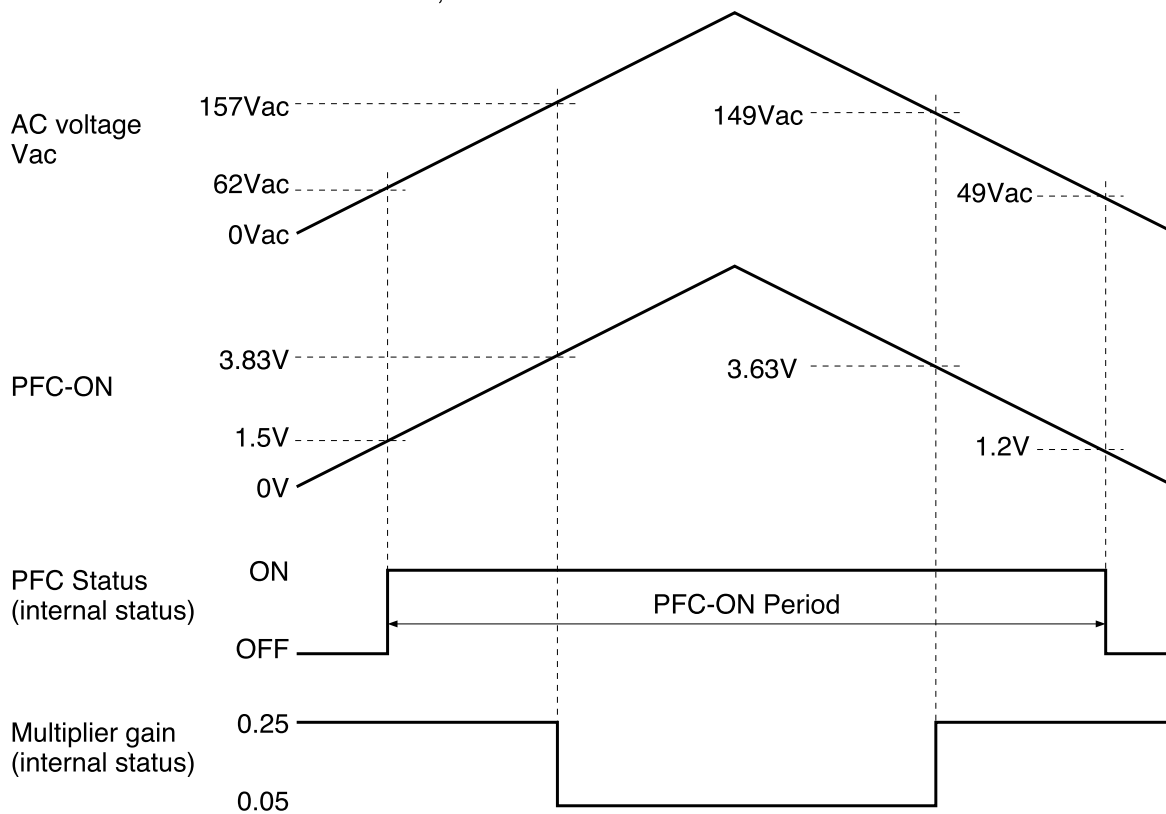
4. PFC-ON pin

The following functions are effected by inputting an AC voltage that has undergone primary rectification and has been divided with an external resistance to the PFC-ON pin (see figure below).

- a) Turning PFC operation off when AC voltage is low
- b) Switching multiplier gain with AC 100 V system and 200 V system input

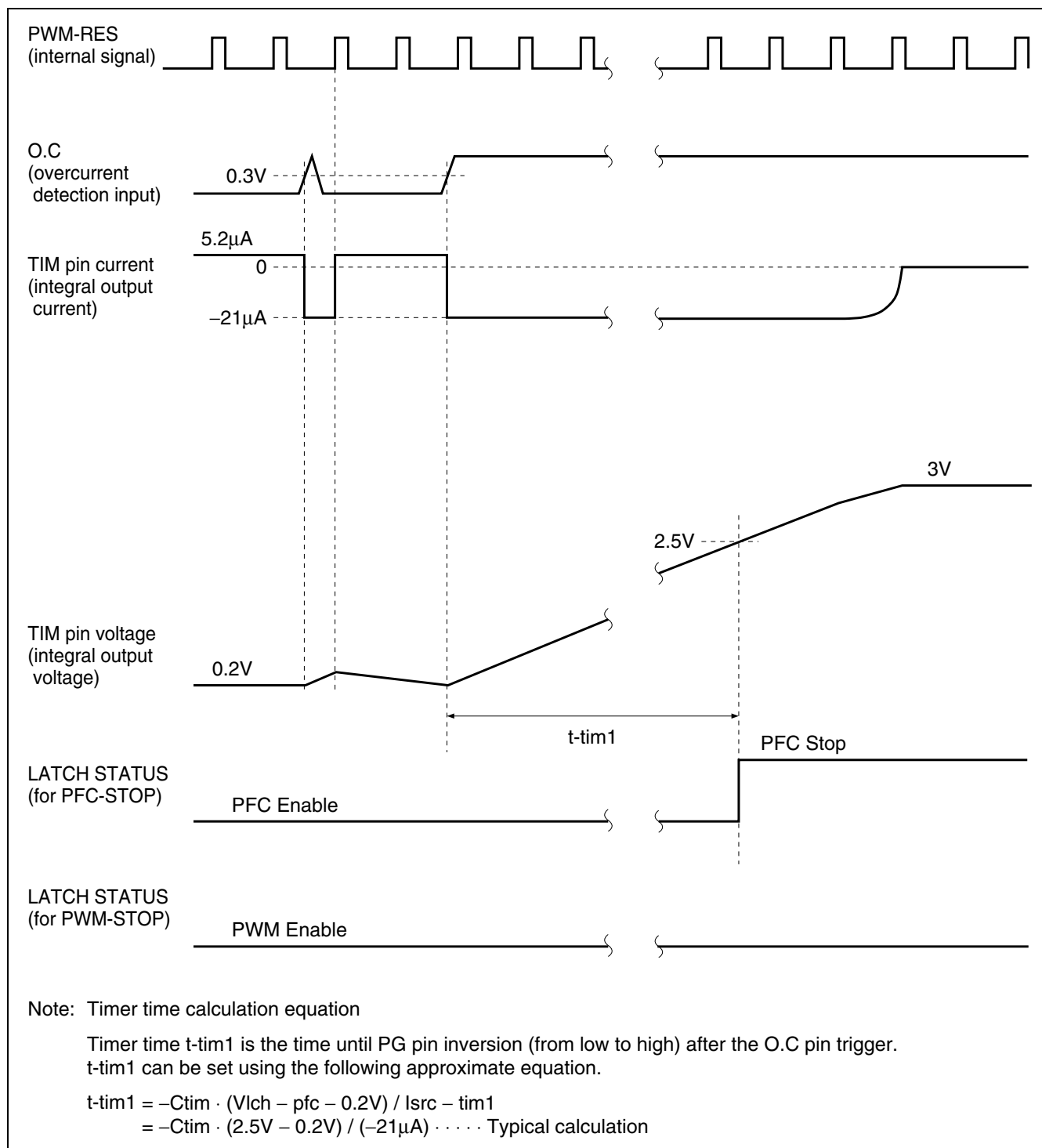


Precondition: VREF GOOD, Non latched.

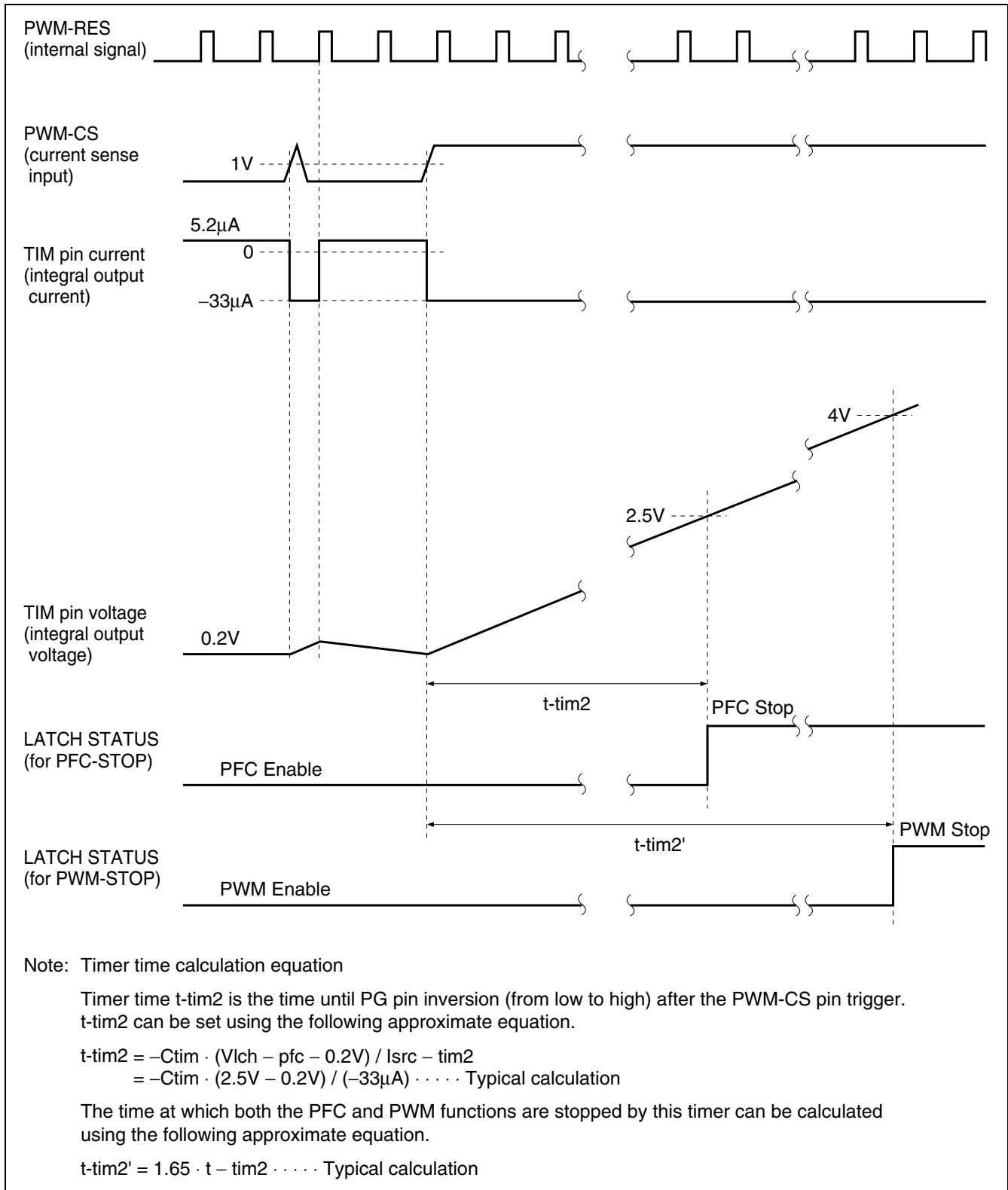


Note: All numeric values in the figure are typical values.

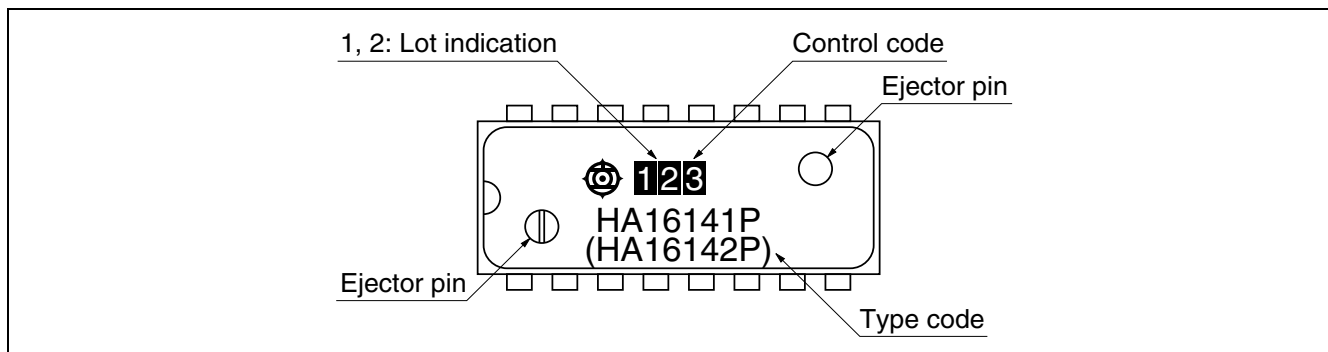
## 5. Integrator (OC detection operation)



6. Integrator (PWM-CS detection operation)



## Mark Pattern



Notes: 1. Example of lot indication.

For example, a product manufactured in May 2000 has the markings "0E" in positions **1** **2** in the above figure.

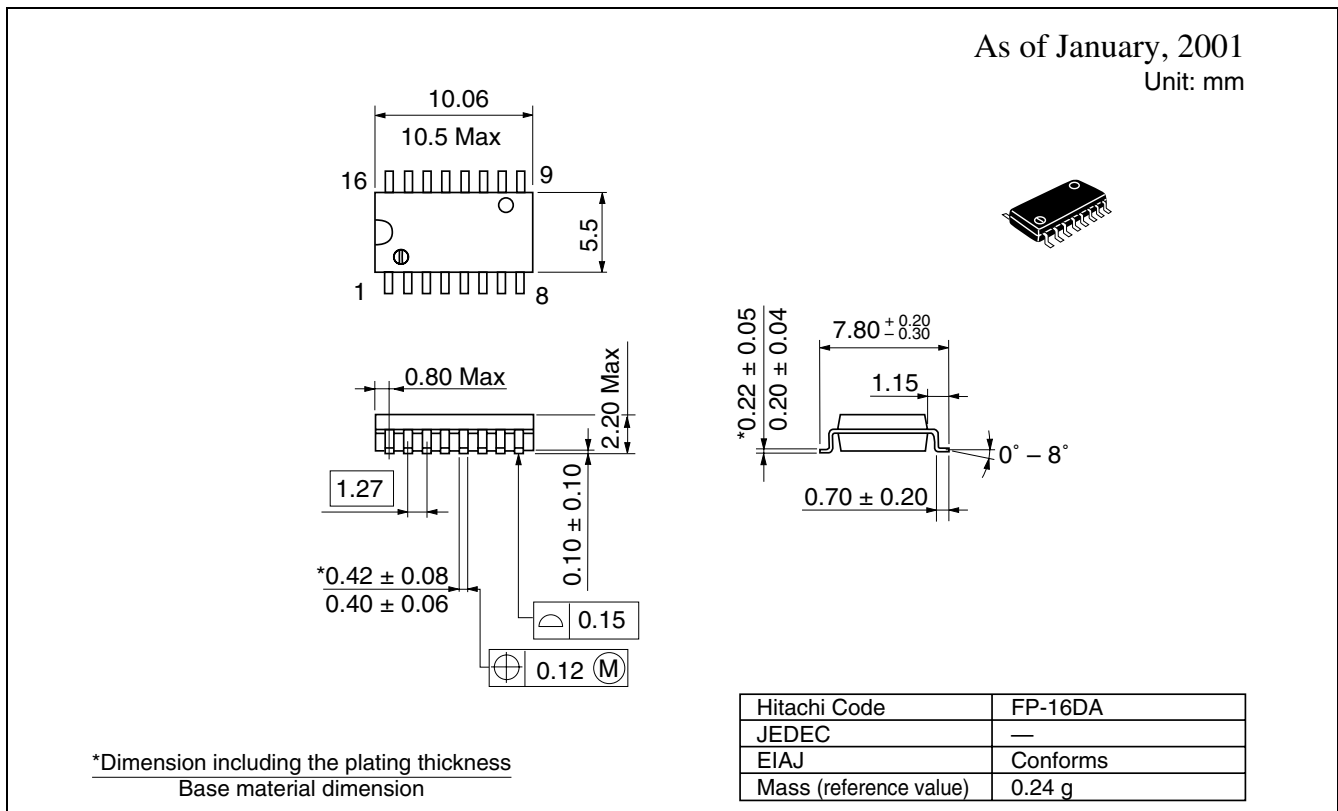
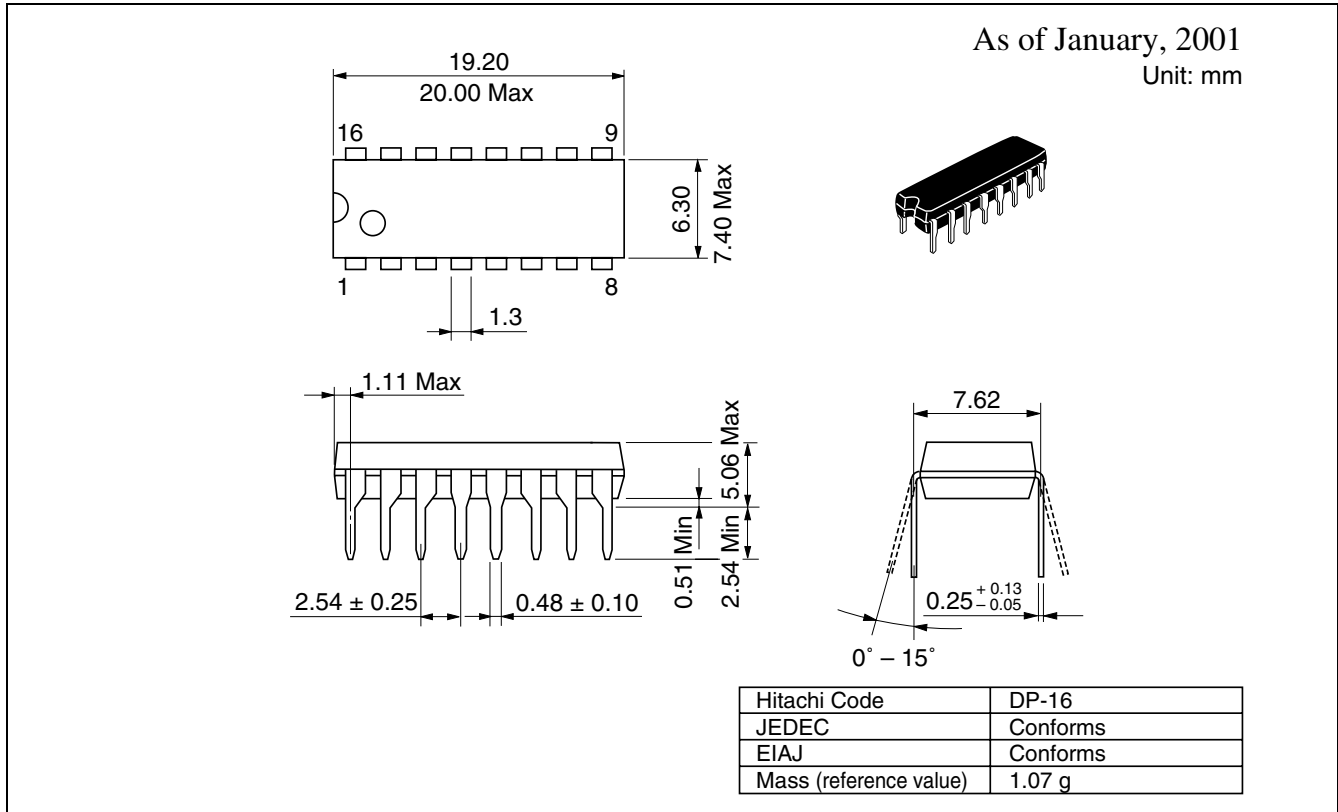
Production		Indication	
Month	Year	<b>1</b>	<b>2</b>
May	2000	0	E

Month	Jan	Feb	Mar	Apr	May	Jun	Jul	Aug	Sep	Oct	Nov	Dec
Code	A	B	C	D	E	F	G	H	J	K	L	M

2. Laser marking is used.



## Package Dimensions



## Disclaimer

1. Hitachi neither warrants nor grants licenses of any rights of Hitachi's or any third party's patent, copyright, trademark, or other intellectual property rights for information contained in this document. Hitachi bears no responsibility for problems that may arise with third party's rights, including intellectual property rights, in connection with use of the information contained in this document.
2. Products and product specifications may be subject to change without notice. Confirm that you have received the latest product standards or specifications before final design, purchase or use.
3. Hitachi makes every attempt to ensure that its products are of high quality and reliability. However, contact Hitachi's sales office before using the product in an application that demands especially high quality and reliability or where its failure or malfunction may directly threaten human life or cause risk of bodily injury, such as aerospace, aeronautics, nuclear power, combustion control, transportation, traffic, safety equipment or medical equipment for life support.
4. Design your application so that the product is used within the ranges guaranteed by Hitachi particularly for maximum rating, operating supply voltage range, heat radiation characteristics, installation conditions and other characteristics. Hitachi bears no responsibility for failure or damage when used beyond the guaranteed ranges. Even within the guaranteed ranges, consider normally foreseeable failure rates or failure modes in semiconductor devices and employ systemic measures such as fail-safes, so that the equipment incorporating Hitachi product does not cause bodily injury, fire or other consequential damage due to operation of the Hitachi product.
5. This product is not designed to be radiation resistant.
6. No one is permitted to reproduce or duplicate, in any form, the whole or part of this document without written approval from Hitachi.
7. Contact Hitachi's sales office for any questions regarding this document or Hitachi semiconductor products.

## Sales Offices

# HITACHI

### Hitachi, Ltd.

Semiconductor & Integrated Circuits  
Nippon Bldg., 2-6-2, Ohte-machi, Chiyoda-ku, Tokyo 100-0004, Japan  
Tel: (03) 3270-2111 Fax: (03) 3270-5109

URL <http://www.hitachisemiconductor.com/>

### For further information write to:

Hitachi Semiconductor  
(America) Inc.  
179 East Tasman Drive  
San Jose, CA 95134  
Tel: <1> (408) 433-1990  
Fax: <1> (408) 433-0223

Hitachi Europe Ltd.  
Electronic Components Group  
Whitebrook Park  
Lower Cookham Road  
Maidenhead  
Berkshire SL6 8YA, United Kingdom  
Tel: <44> (1628) 585000  
Fax: <44> (1628) 585200

Hitachi Europe GmbH  
Electronic Components Group  
Dornacher Straße 3  
D-85622 Feldkirchen  
Postfach 201, D-85619 Feldkirchen  
Germany  
Tel: <49> (89) 9 9180-0  
Fax: <49> (89) 9 29 30 00

Hitachi Asia Ltd.  
Hitachi Tower  
16 Collyer Quay #20-00  
Singapore 049318  
Tel: <65>-538-6533/538-8577  
Fax: <65>-538-6933/538-3877  
URL: <http://semiconductor.hitachi.com.sg>

Hitachi Asia Ltd.  
(Taipei Branch Office)  
4/F, No. 167, Tun Hwa North Road  
Hung-Kuo Building  
Taipei (105), Taiwan  
Tel: <886>-(2)-2718-3666  
Fax: <886>-(2)-2718-8180  
Telex: 23222 HAS-TP  
URL: <http://www.hitachi.com.tw>

Hitachi Asia (Hong Kong) Ltd.  
Group III (Electronic Components)  
7/F., North Tower  
World Finance Centre,  
Harbour City, Canton Road  
Tsim Sha Tsui, Kowloon Hong Kong  
Tel: <852>-(2)-735-9218  
Fax: <852>-(2)-730-0281  
URL: <http://semiconductor.hitachi.com.hk>

Copyright © Hitachi, Ltd., 2001. All rights reserved. Printed in Japan.  
Colophon 5.0

This datasheet has been download from:

[www.datasheetcatalog.com](http://www.datasheetcatalog.com)

Datasheets for electronics components.