

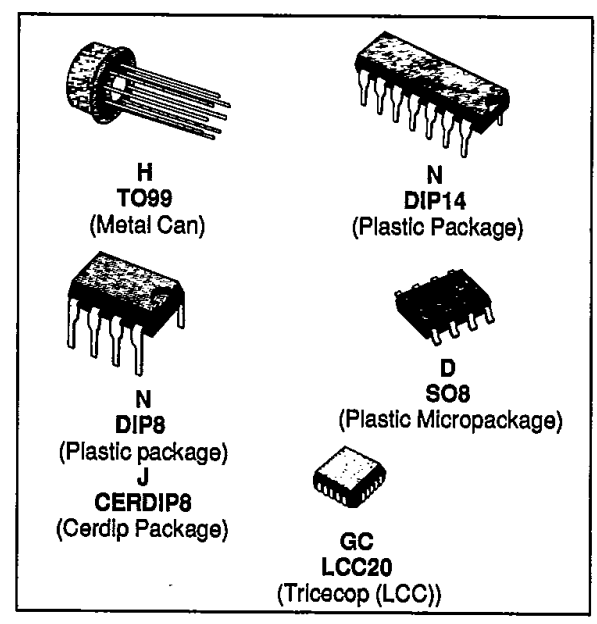


SGS-THOMSON

30E D

GENERAL-PURPOSE SINGLE OP-AMPS

- LARGE INPUT VOLTAGE RANGE
- NO LATCH-UP
- HIGH GAIN
- SHORT-CIRCUIT PROTECTION
- NO FREQUENCY COMPENSATION REQUIRED
- SAME PIN CONFIGURATION AS THE UA709



DESCRIPTION

The UA741 is a high performance monolithic operational constructed on a single silicon chip. It is intended for a wide range of analog applications.

- Summing amplifier
- Voltage follower
- Integrator
- Active filter
- Function generator.

The high gain and wide range of operating voltages provides superior performance integrator, summing amplifier, and general feedback applications. the internal compensation network (6 dB/octave) insures stability in closed loop applications.

ORDER CODES

Part Number	Temperature Range	Package					
		H	J	GC	N	N14	D
UA741C/E	0 °C to + 70 °C	•	•		•	•	•
UA741I	-40 °C to + 105 °C	•			•	•	
UA741M/A	-55 °C to + 125 °C	•	•	•			

Note : Hi-Rel Versions Available
Examples : UA741CN, UA741IH

PIN CONNECTIONS (top views)

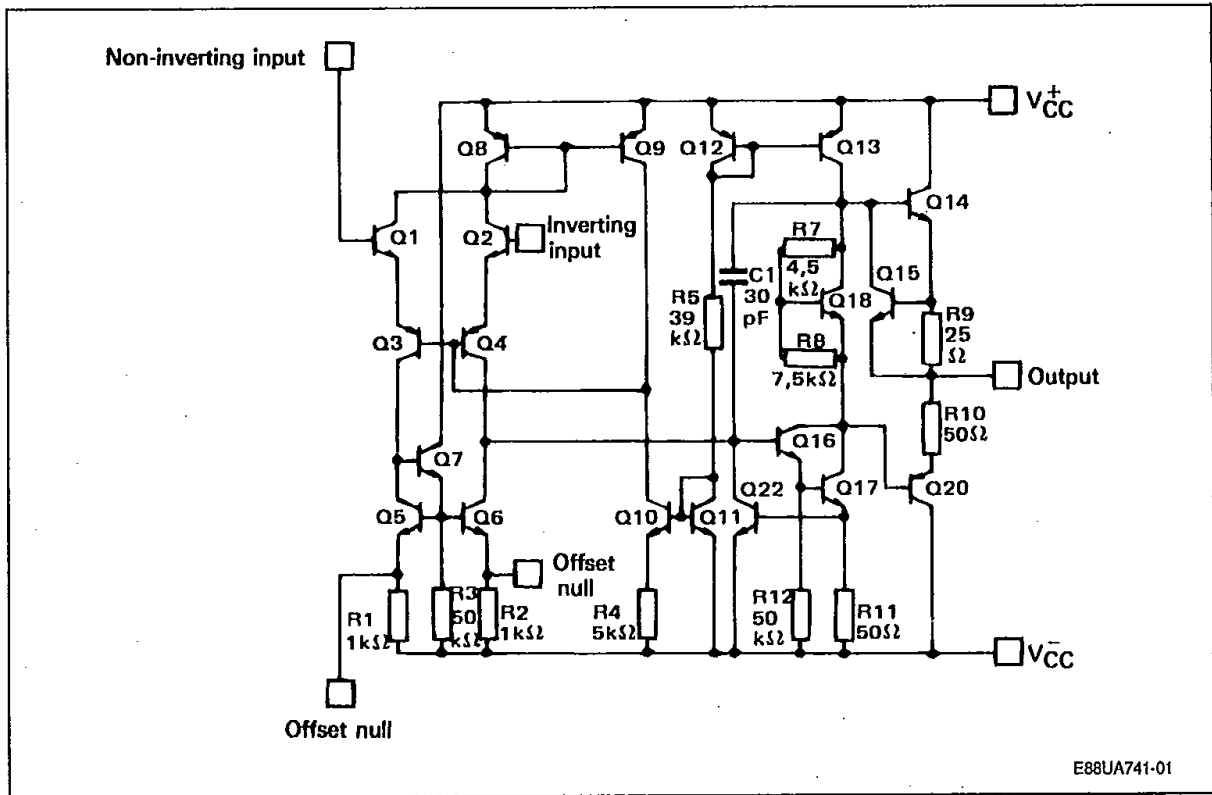
DIP8/CERDIP8 SO8	TO99	LCC20	DIP14
1 - Offset null 2 - Inverting Input 3 - Non-inverting Input 4 - V _{cc}	5 - Offset null 6 - Output 7 - V _{cc} 8 - NC	1 - NC 2 - Offset null 3 - NC 4 - NC 5 - Inverting Input 6 - NC 7 - Non-inverting input 8 - NC 9 - NC	4 - Inverting Input 5 - Non-inverting Input 6 - V _{cc} 7 - NC 8 - NC 9 - Offset null 10 - Output 11 - V _{cc} 12 - NC 13 - NC 14 - NC 1 - NC 2 - NC 3 - Offset null

ABSOLUTE MAXIMUM RATINGS S G S-THOMSON

30E D

Symbol	Parameter	Value			Unit
		UA741M, A	UA741I	UA741C, E	
V _{CC}	Supply Voltage	± 22	± 22	± 22	V
V _i	Input Voltage	± 15	± 15	± 15	V
V _{id}	Differential Input Voltage	± 30	± 30	± 30	V
P _{tot}	Power Dissipation	500	500	500	mW
	Output Short-circuit Duration	Infinite			
T _{oper}	Operating Free-air Temperature Range	- 55 to + 125	- 40 to + 105	0 to + 70	°C
T _{stg}	Storage Temperature Range	- 65 to 150	- 65 to 150	- 65 to 150	°C

SCHEMATIC DIAGRAM



Case	Offset Null	Inverting Input	Non-Inverting Input	V _{CC}	V _{CC}	Output	N.C.
TO99/DIP8/CERDIP8/SO8	1, 5	2	3	4	7	6	8
DIP14	3, 9	4	5	6	11	10	*
LCC20	2, 12	5	7	10	17	15	*

* TO116, LCC20 : Other pins are not connected.

ELECTRICAL CHARACTERISTICS S G S-THOMSON

30E D

UA741M/A : $-55\text{ }^{\circ}\text{C} \leq T_{\text{amb}} \leq +125\text{ }^{\circ}\text{C}$, $V_{\text{CC}} = \pm 15\text{ V}$ UA741I : $-40\text{ }^{\circ}\text{C} \leq T_{\text{amb}} \leq +105\text{ }^{\circ}\text{C}$, $V_{\text{CC}} = \pm 15\text{ V}$ UA741C/E : $0\text{ }^{\circ}\text{C} \leq T_{\text{amb}} \leq +70\text{ }^{\circ}\text{C}$, $V_{\text{CC}} = \pm 15\text{ V}$

(unless otherwise specified)

T-79-05-10

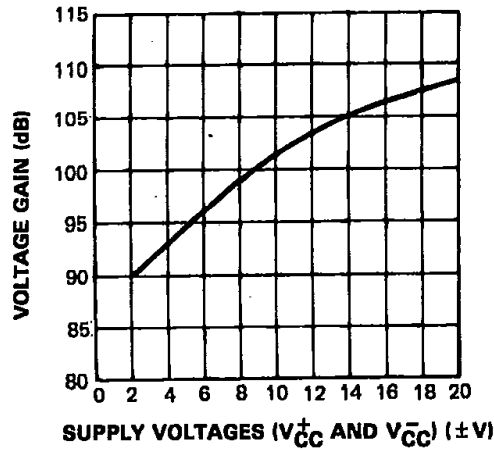
Symbol	Parameter	UA741C, E, I, M, A			Unit
		Min.	Typ.	Max.	
V_{IO}	Input Offset Voltage $R_{\text{S}} \leq 10\text{ k}\Omega$ $T_{\text{amb}} = 25\text{ }^{\circ}\text{C}$ $T_{\text{min}} \leq T_{\text{amb}} \leq T_{\text{max}}$ UA741E, A		1	5	mV
	$T_{\text{amb}} = 25\text{ }^{\circ}\text{C}$ $T_{\text{min}} \leq T_{\text{amb}} \leq T_{\text{max}}$		1	2	
				6	
				4	
I_{IO}	Input Offset Current $T_{\text{amb}} = 25\text{ }^{\circ}\text{C}$ $T_{\text{min}} \leq T_{\text{amb}} \leq T_{\text{max}}$		2	20	nA
				40	
I_{IB}	Input Bias Current $T_{\text{amb}} = 25\text{ }^{\circ}\text{C}$ $T_{\text{min}} \leq T_{\text{amb}} \leq T_{\text{max}}$		10	100	nA
				200	
A_{VD}	Large Signal Voltage Gain ($V_{\text{O}} = \pm 10\text{ V}$, $R_{\text{L}} = 2\text{ k}\Omega$) $T_{\text{amb}} = 25\text{ }^{\circ}\text{C}$ $T_{\text{min}} \leq T_{\text{amb}} \leq T_{\text{max}}$	50	200		V/mV
		25			
SVR	Supply Voltage Rejection Ratio ($R_{\text{S}} \leq 10\text{ k}\Omega$) $T_{\text{amb}} = 25\text{ }^{\circ}\text{C}$ $T_{\text{min}} \leq T_{\text{amb}} \leq T_{\text{max}}$	77	90		dB
		77			
I_{CC}	Supply Current, no Load $T_{\text{amb}} = 25\text{ }^{\circ}\text{C}$ $T_{\text{min}} \leq T_{\text{amb}} \leq T_{\text{max}}$		1.7	2.8	mA
				3.3	
V_{I}	Input Voltage Range $T_{\text{amb}} = 25\text{ }^{\circ}\text{C}$ $T_{\text{min}} \leq T_{\text{amb}} \leq T_{\text{max}}$	-12		+12	V
		-12		+12	
CMR	Common Mode Rejection Ratio ($R_{\text{S}} \leq 10\text{ k}\Omega$) $T_{\text{amb}} = 25\text{ }^{\circ}\text{C}$ $T_{\text{min}} \leq T_{\text{amb}} \leq T_{\text{max}}$	70	90		dB
		70			
I_{OS}	Output Short-circuit Current $T_{\text{amb}} = 25\text{ }^{\circ}\text{C}$	10	25	40	mA
$\pm V_{\text{OPP}}$	Output Voltage Swing $T_{\text{amb}} = 25\text{ }^{\circ}\text{C}$ $R_{\text{L}} = 10\text{ k}\Omega$ $R_{\text{L}} = 2\text{ k}\Omega$ $T_{\text{min}} \leq T_{\text{amb}} \leq T_{\text{max}}$ $R_{\text{L}} = 10\text{ k}\Omega$ $R_{\text{L}} = 2\text{ k}\Omega$	12	14		V
		10	13		
		12			
		10			
S_{VO}	Slew-rate ($V_{\text{I}} = \pm 10\text{ V}$, $R_{\text{L}} = 2\text{ k}\Omega$, $C_{\text{L}} \leq 100\text{ pF}$, $T_{\text{amb}} = 25\text{ }^{\circ}\text{C}$, unity gain)	0.25	0.5		V/ μs
t_{r}	Rise Time ($V_{\text{I}} = \pm 20\text{ mV}$, $R_{\text{L}} = 2\text{ k}\Omega$, $C_{\text{L}} \leq 100\text{ pF}$, $T_{\text{amb}} = 25\text{ }^{\circ}\text{C}$, unity gain)		0.3		μs
K_{OV}	Overshoot ($V_{\text{I}} = \pm 20\text{ mV}$, $R_{\text{L}} = 2\text{ k}\Omega$, $C_{\text{L}} \leq 100\text{ pF}$, $T_{\text{amb}} = 25\text{ }^{\circ}\text{C}$, unity gain)		5		%
R_{I}	Input Resistance, $T_{\text{amb}} = 25\text{ }^{\circ}\text{C}$	0.3	2		m Ω

ELECTRICAL CHARACTERISTICS (continued)

Symbol	Parameter	UA741C, E, I, M, A			Unit
		Min.	Typ.	Max.	
GPB	Gain Bandwidth Product ($V_I = 10 \text{ mV}$, $R_L = 2 \text{ k}\Omega$, $C_L \leq 100 \text{ pF}$ $f = 100 \text{ kHz}$, $T_{\text{amb}} = 25 \text{ }^\circ\text{C}$)	0.7	1	1.6	MHz
THD	Total Harmonic Distortion ($f = 1 \text{ kHz}$, $A_V = 20 \text{ dB}$, $R_L = 2 \text{ k}\Omega$, $V_O = 2 \text{ V}_{\text{pp}}$ $C_L \leq 100 \text{ pF}$, $T_{\text{amb}} = 25 \text{ }^\circ\text{C}$)		0.06		%
V_N	Equivalent Input Noise Voltage ($f = 1 \text{ kHz}$, $R_G = 100 \text{ }\Omega$)		23		nV/ $\sqrt{\text{Hz}}$
	Phase Margin		50		Degrees

SGS-THOMSON

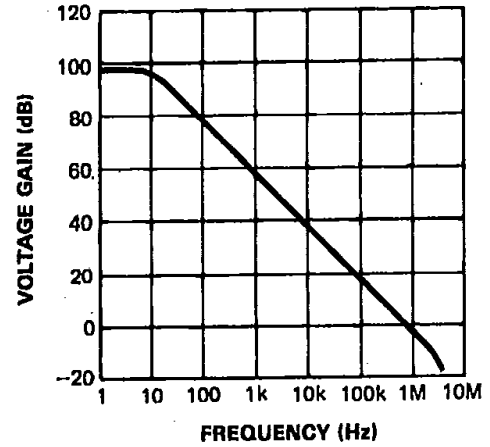
OPEN LOOP VOLTAGE GAIN (Typ.)



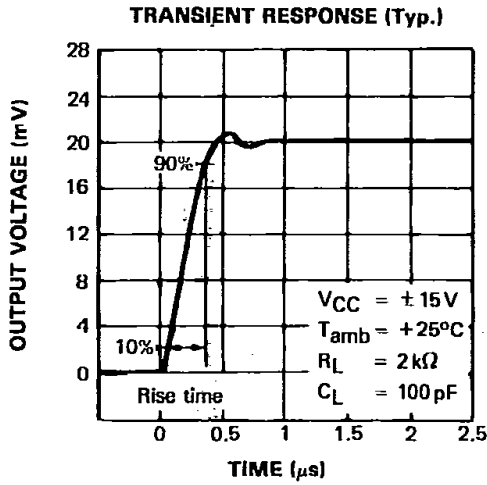
E88UA741-02

30E D

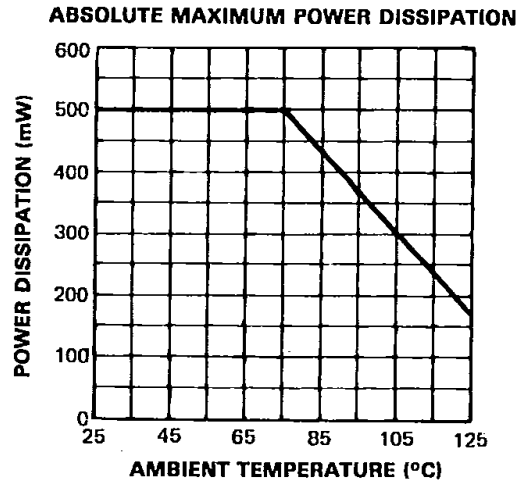
OPEN LOOP FREQUENCY RESPONSE (Typ.)



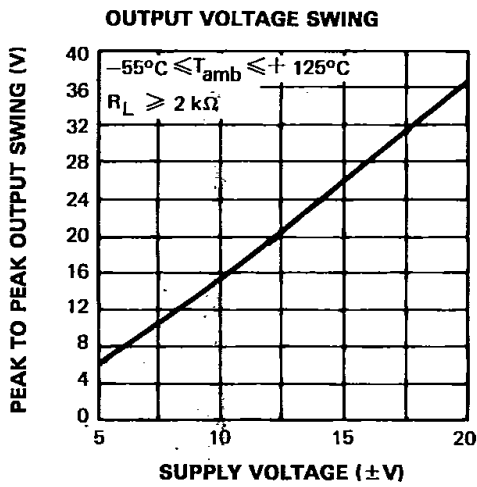
E88UA741-03



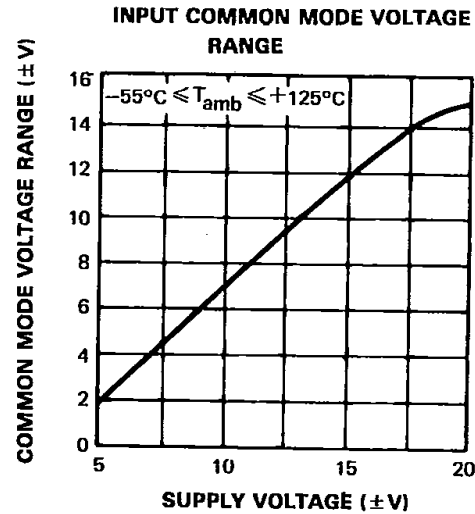
E88UA741-04



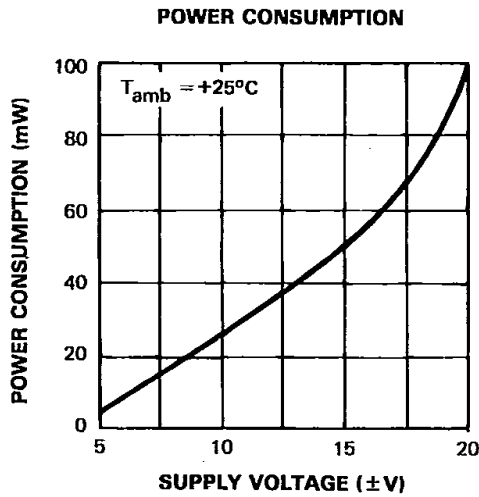
E88UA741-05



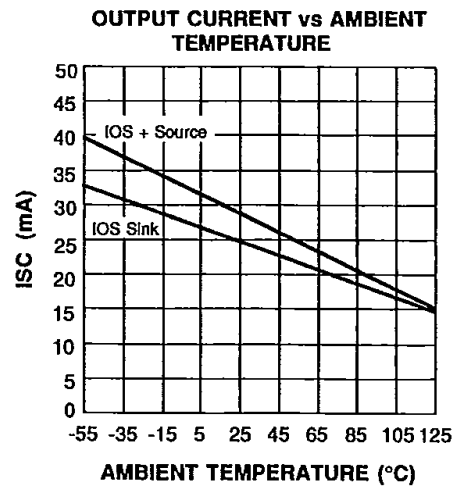
E88UA741-06



E88UA741-07



E88UA741-08

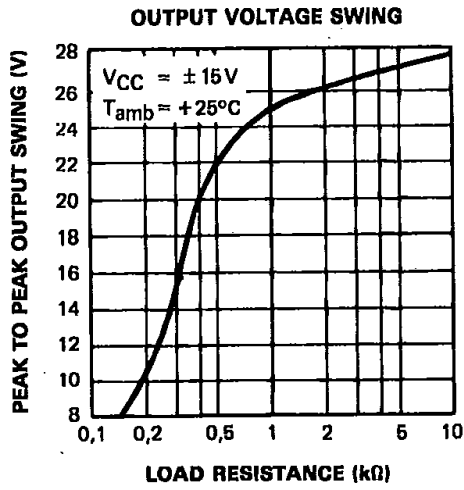


E88UA741-09

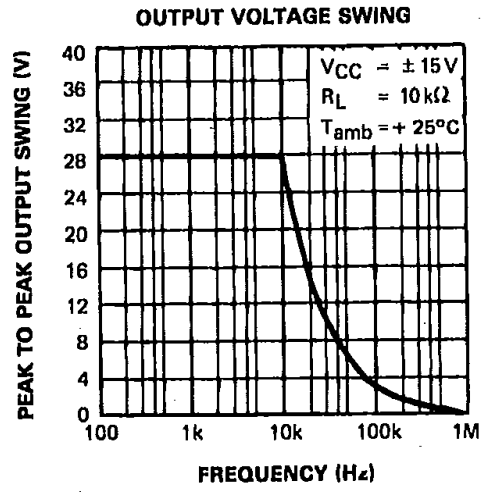
S G S-THOMSON

30E D

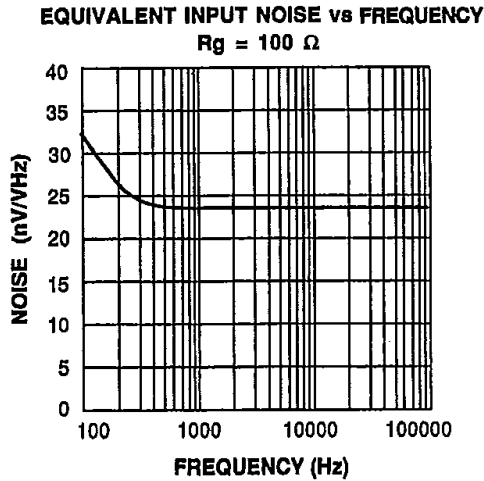




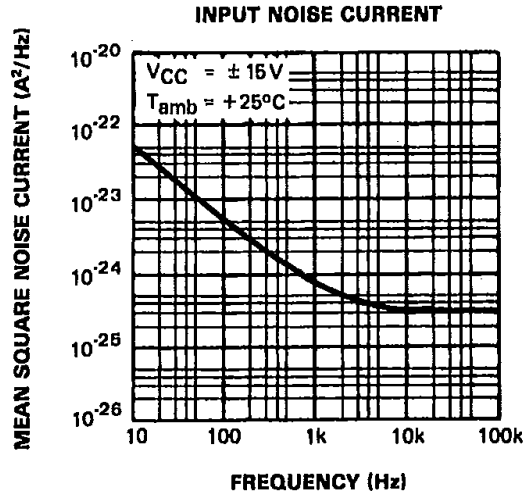
E88UA741-10



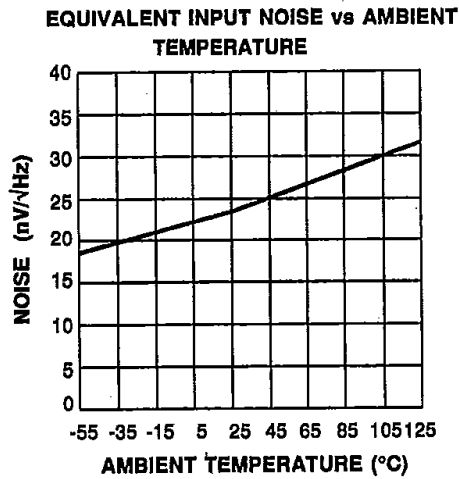
E88UA741-11



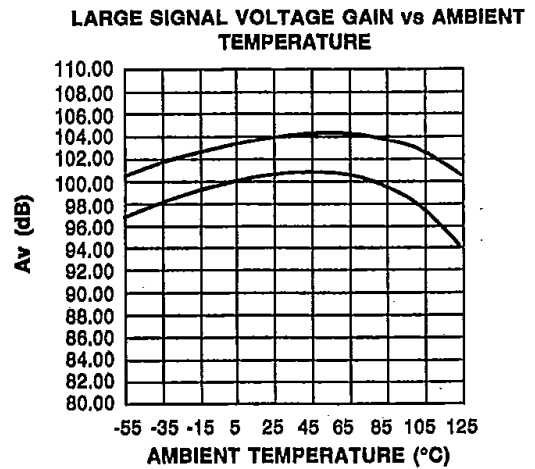
E88UA741-12



E88UA741-13



E88UA741-14

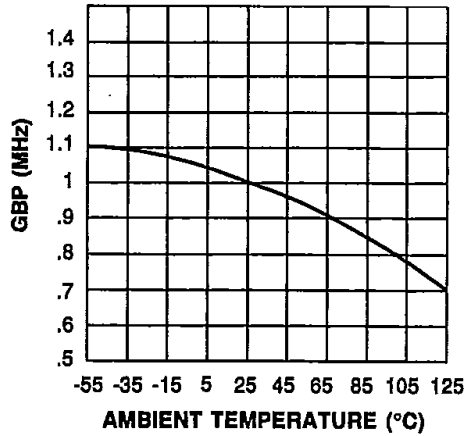


E88UA741-15

SGS-THOMSON

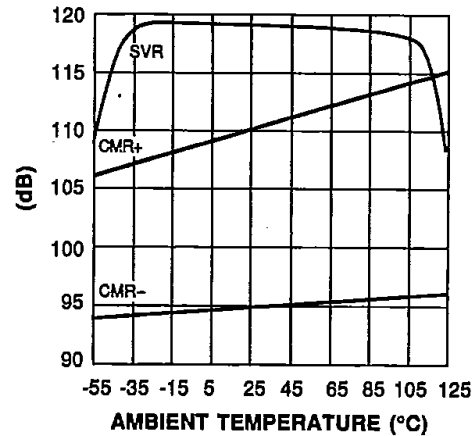
30E D

GAIN BANDWIDTH PRODUCT vs AMBIENT TEMPERATURE



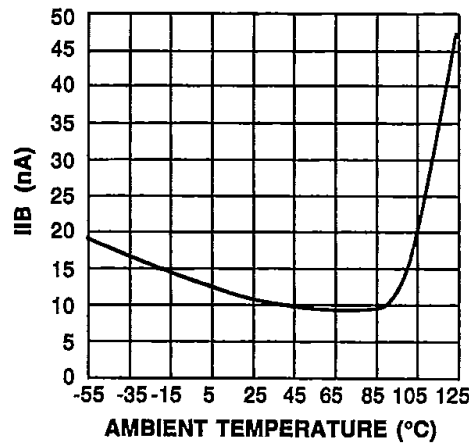
E88UA741-16

POWER SUPPLY & COMMON MODE REJECTION RATIO vs AMBIENT TEMPERATURE



E88UA741-17

INPUT BIAS CURRENT vs AMBIENT TEMPERATURE



E88UA741-18

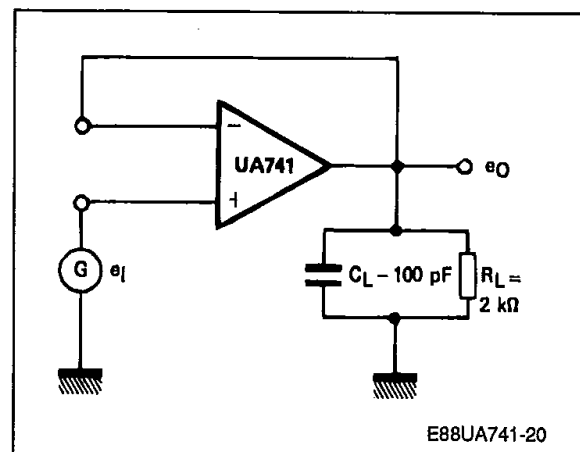
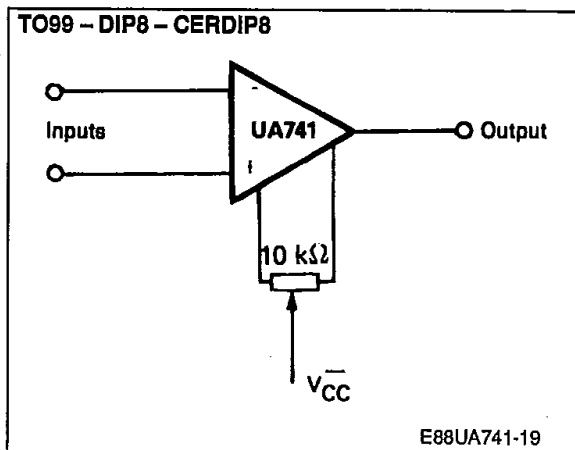
MEASUREMENT DIAGRAMS

SGS-THOMSON

30E D

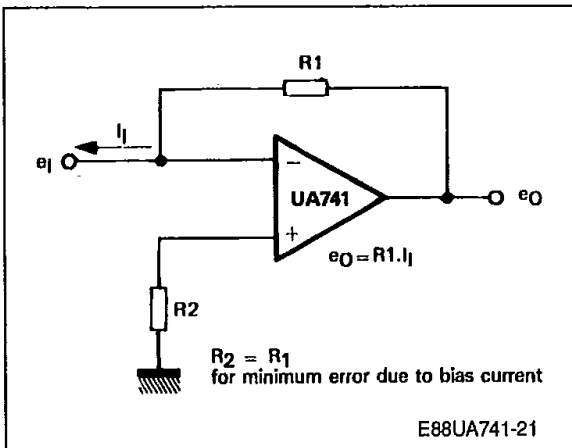
VOLTAGE OFFSET NULL CIRCUIT

TRANSIENT RESPONSE TEST CIRCUIT

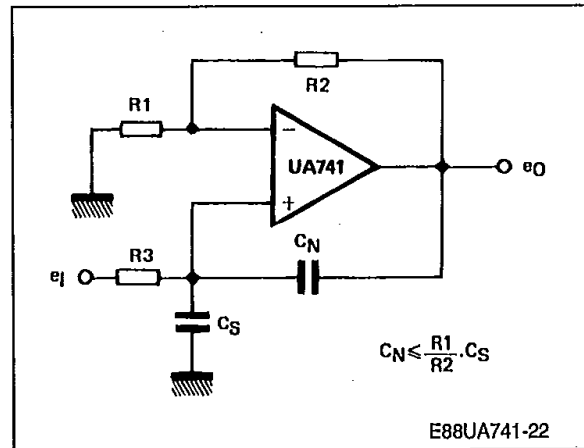


MEASUREMENT DIAGRAMS (continued)

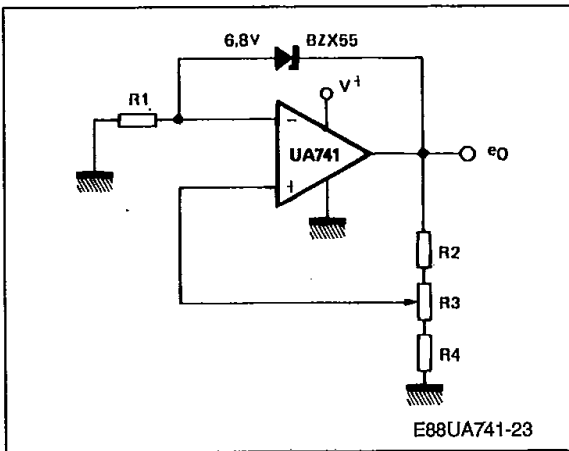
CURRENT TO VOLTAGE CONVERTER



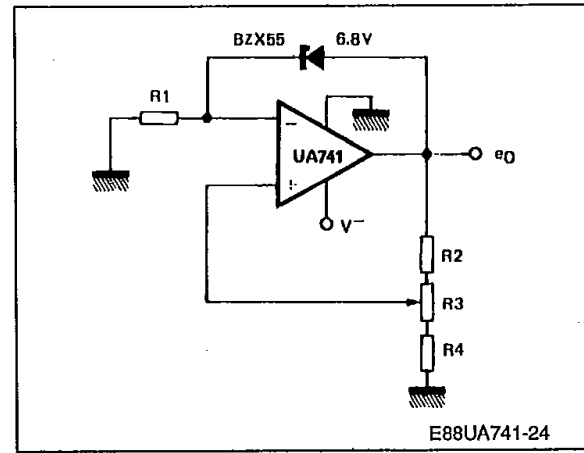
NEUTRALIZING INPUT CAPACITANCE TO OPTIMIZE RESPONSE TIME



POSITIVE VOLTAGE REFERENCE



NEGATIVE VOLTAGE REFERENCE



S G S-THOMSON

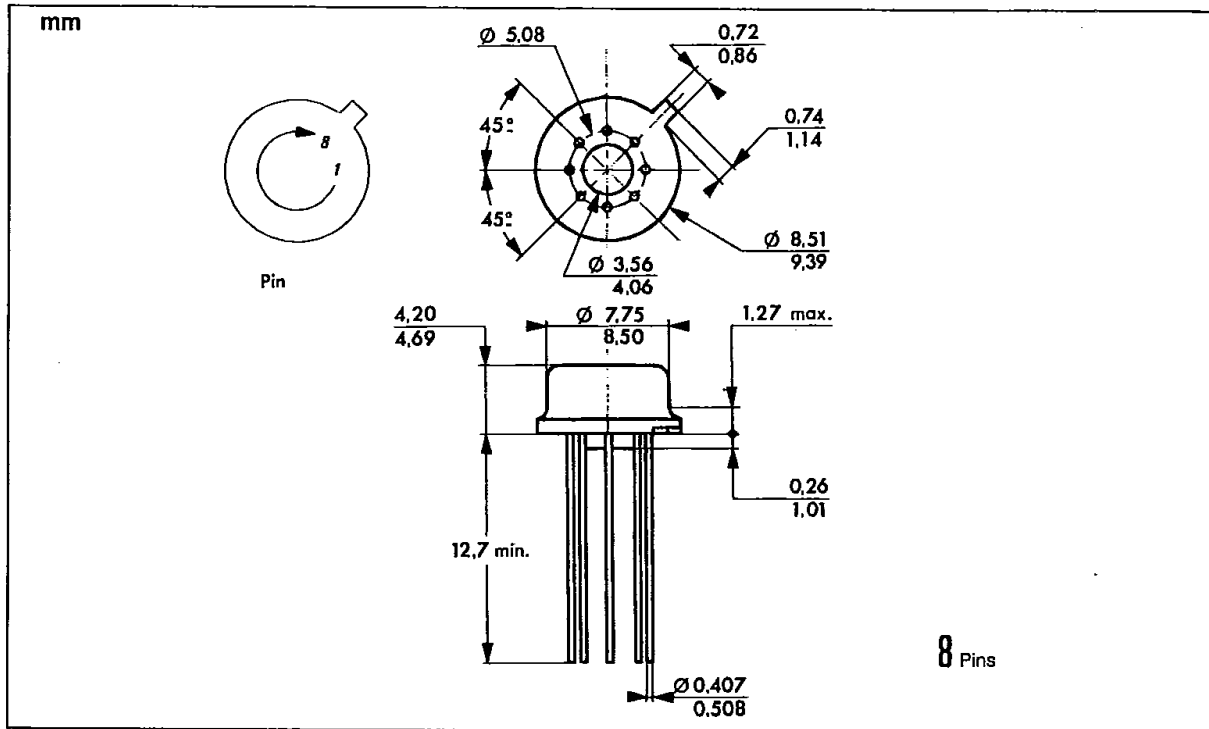
3OE D

PACKAGE MECHANICAL DATA

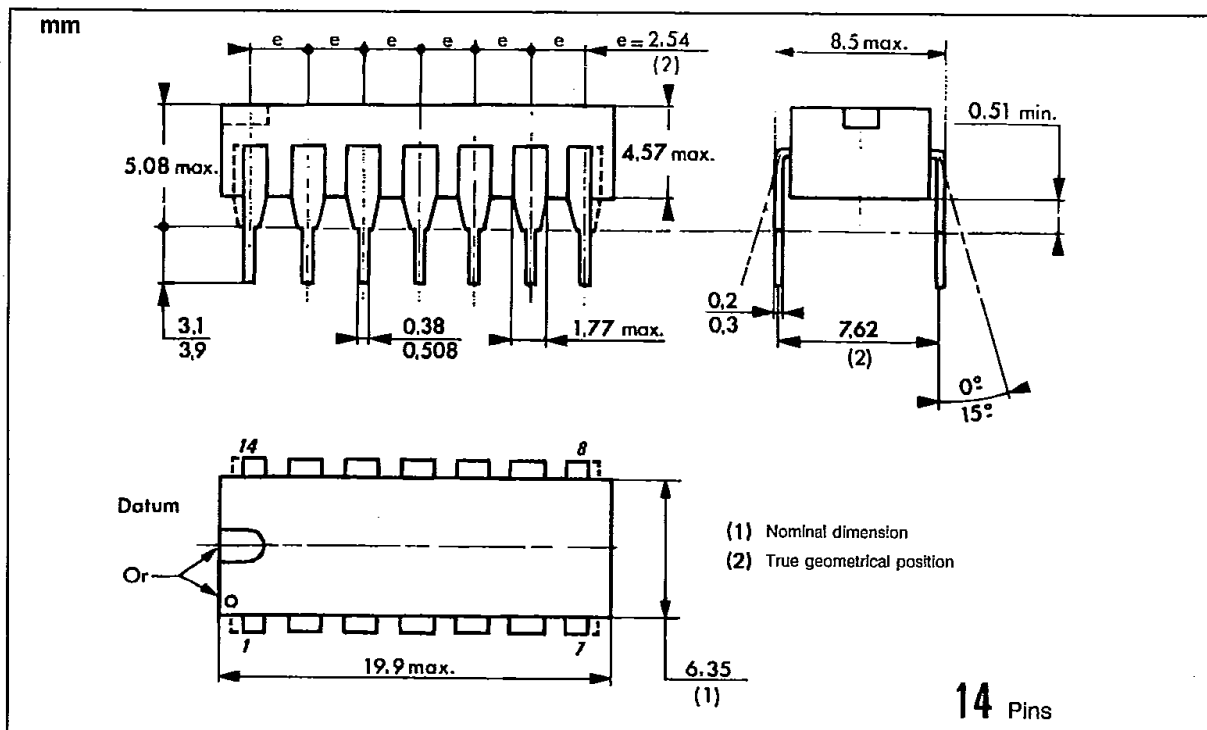
SGS-THOMSON

30E D

8 PINS - TO99 - METAL CAN



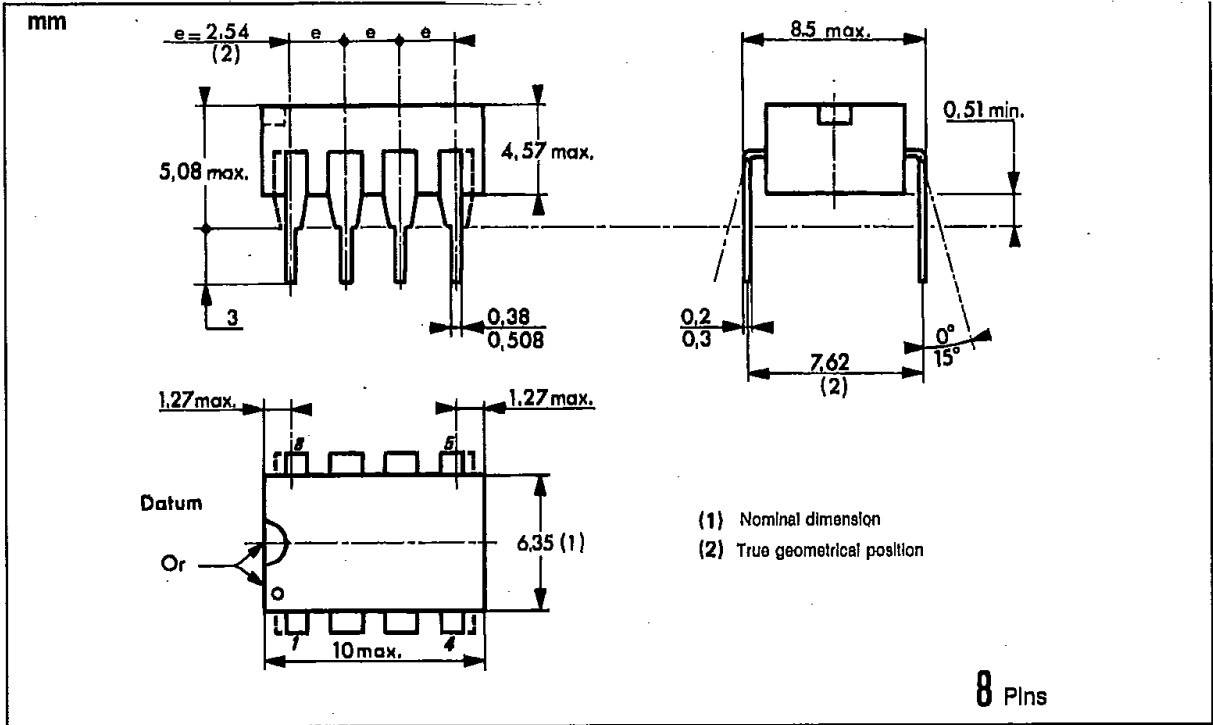
14 PINS - PLASTIC DIP



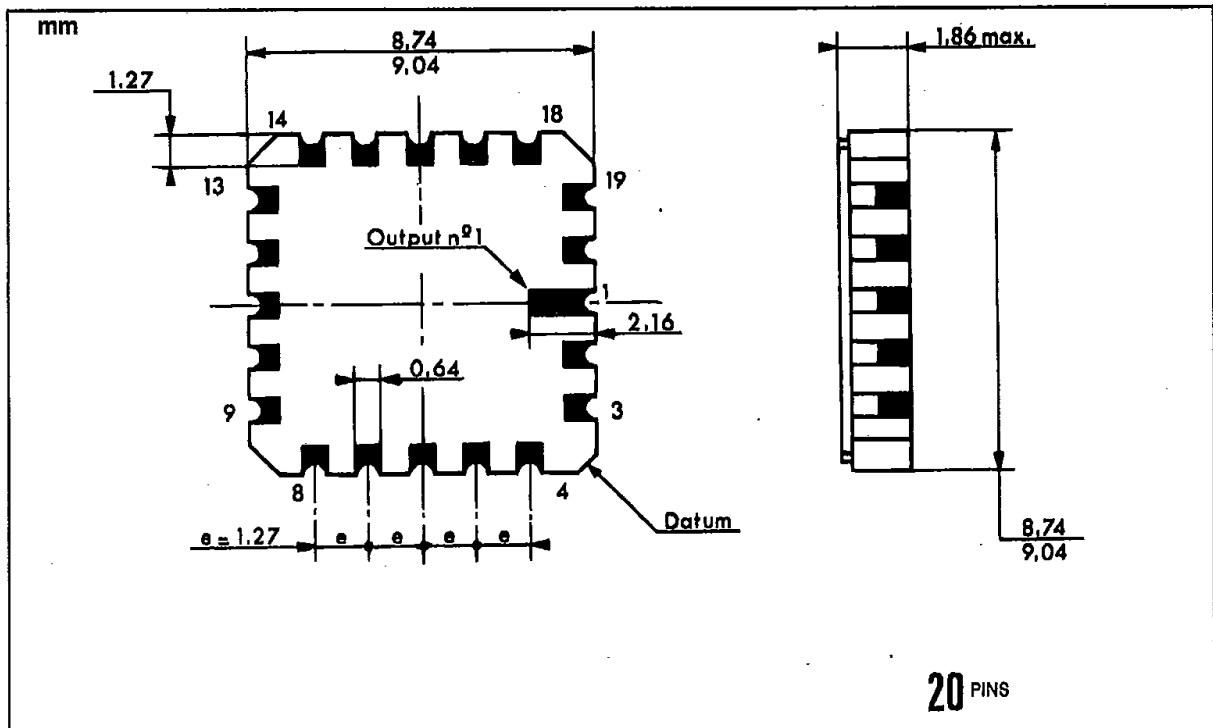
PACKAGE MECHANICAL DATA (continued)

8 PINS - PLASTIC DIP OR CERDIP S G S-THOMSON

30E D



20 PINS - TRICECOP (LCC)



PACKAGE MECHANICAL DATA (continued)

8 PINS - PLASTIC MICROPACKAGE (SO) S G S-THOMSON

30E D

