

MITSUBISHI <LINEAR ICs>
M51924P,FP

QUAD COMPARATOR

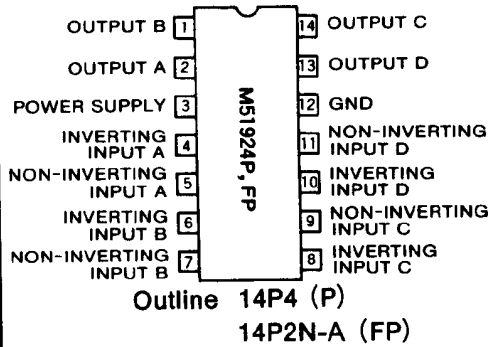
DESCRIPTION

The M51924 is a quad (four independent) comparator and operates over a wide voltage range from a single supply voltage. Especially the M51924 has superiority as to characteristics of input current (input resistance) and fits to wide ranged applications, for example CR timer, oscillator, etc.

FEATURES

- Low input current 25nA (typ.)
- Wide supply voltage range 2.5~28V
- Low dissipation current
 0.8mA (typ.) (All output OFF)
 3mA (typ.) (ALL output ON)
- Enable high output drive $V_{OL}=0.15V$ (typ.)
 (Output current 20mA)

PIN CONFIGURATION (TOP VIEW)



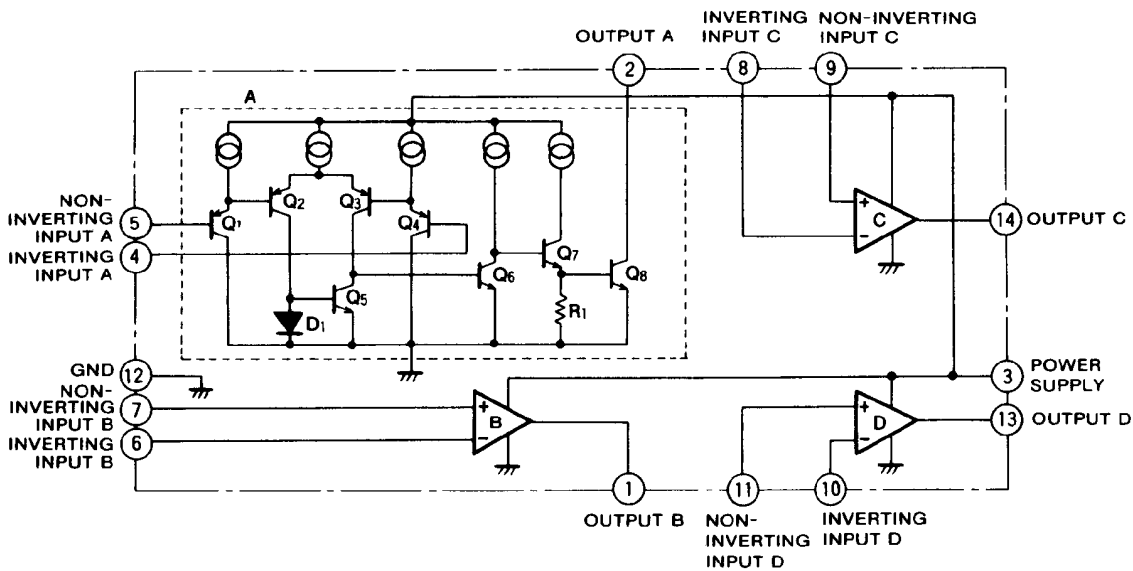
APPLICATION

Voltage comparator, window comparator, CR timer, time delay circuit, oscillator.

RECOMMENDED OPERATING CONDITIONS

- Supply voltage range 2.5~28V
- Rated supply voltage 12V

EQUIVALENT CIRCUIT



QUAD COMPARATOR

ABSOLUTE MAXIMUM RATINGS ($T_a=25^\circ\text{C}$, unless otherwise noted)

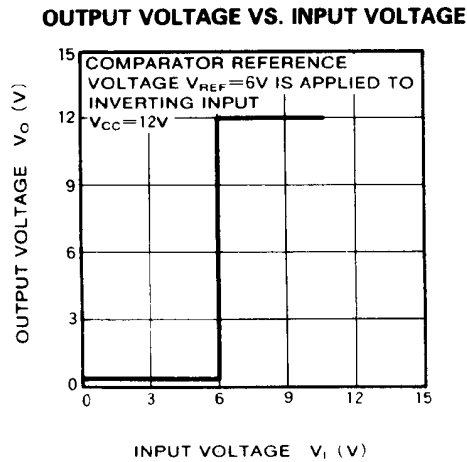
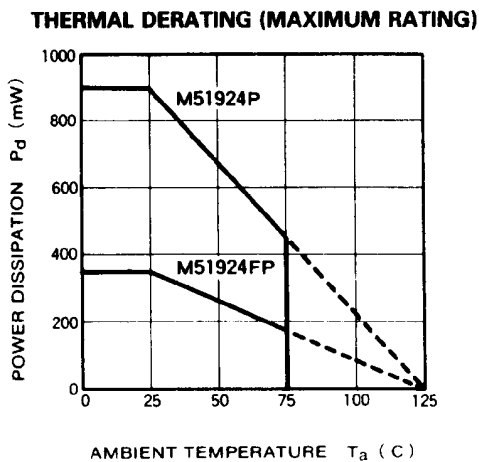
Symbol	Parameter	Conditions	Ratings	Unit
V_{CC}	Supply voltage		28	V
V_{ID}	Differential input voltage		V_{CC}	V
V_{ICM}	Common mode input voltage range		$-0.3 \sim V_{CC}$	V
I_{sink}	Output sink current		80	mA
V_{OH}	"H" output voltage		30	V
P_d	Power dissipation		900(DIP)/350(FP)	mW
T_{opr}	Operating temperature		$-20 \sim +75$	$^\circ\text{C}$
T_{stg}	Storage temperature		$-40 \sim +125$	$^\circ\text{C}$

ELECTRICAL CHARACTERISTICS ($T_a=25^\circ\text{C}$, $V_{CC}=2.5 \sim 28\text{V}$, unless otherwise noted)

Symbol	Parameter	Test conditions	Limits			Unit
			Min	Typ	Max	
V_{CC}	Supply voltage range		2.5		28	V
I_{CC1}	Circuit current 1	ALL OUTPUT ON		3.0	5.0	mA
I_{CC2}	Circuit current 2	ALL OUTPUT OFF		0.8	1.6	mA
$V_{I\ominus}$	Inverting input voltage range	NOTE	0		$V_{CC}-1.5$	V
$V_{I\oplus}$	Non-inverting input voltage range	NOTE	0		$V_{CC}-1.5$	V
V_{IO}	Input offset voltage			2	5	mV
$I_{I\ominus}$	Inverting input current			25	150	nA
$I_{I\oplus}$	Non-inverting input current			25	150	nA
I_{IO}	Input offset current			5	50	nA
V_{OL}	"L" output voltage	$I_{sink}=20\text{mA}$		0.15	0.4	V
		$I_{sink}=80\text{mA}$		1		
I_{LO}	Output leak current				0.1	μA
t_{PLH}	Output "L→H" propagation delay time			2		μs
t_{PHL}	Output "H→L" propagation delay time			0.2		μs

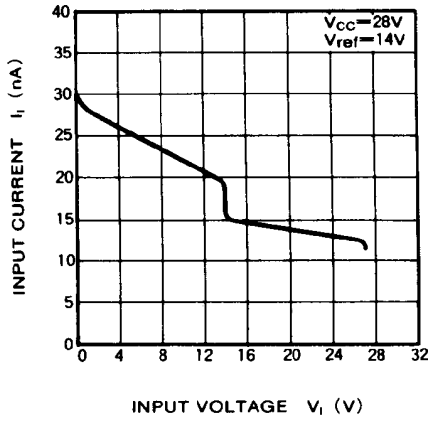
NOTE) Either inverting or non-inverting inputs (reference side) should be within this range. (Abnormal operation will not occur when the other is within the range of 0 to V_{CC} .)

TYPICAL CHARACTERISTICS ($T_a=25^\circ\text{C}$, unless otherwise noted)

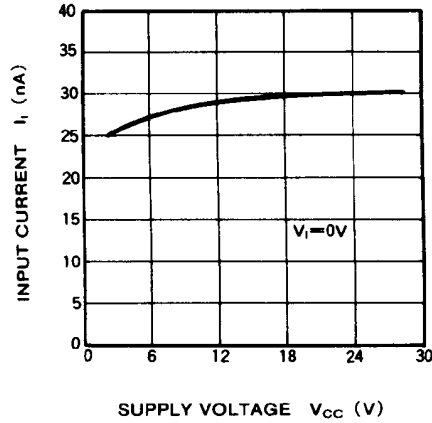


QUAD COMPARATOR

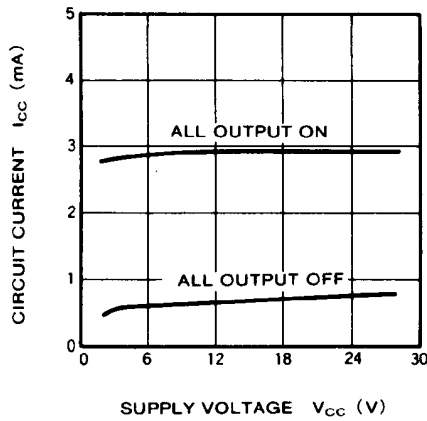
INPUT CURRENT VS. INPUT VOLTAGE



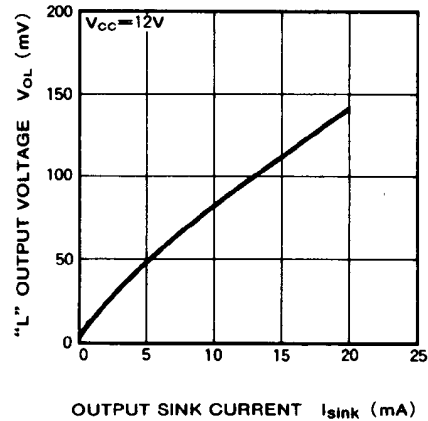
INPUT CURRENT VS. SUPPLY VOLTAGE



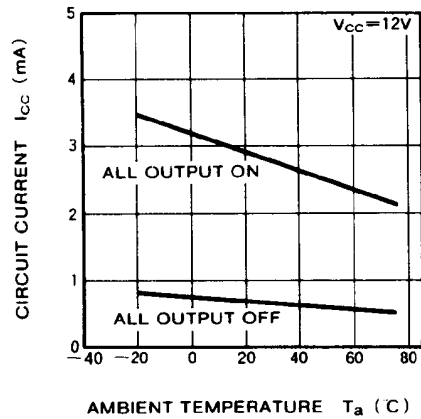
CIRCUIT CURRENT VS. SUPPLY VOLTAGE



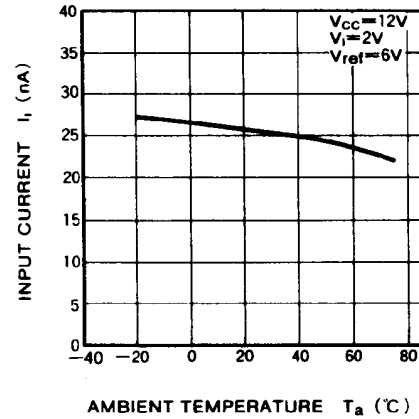
"L" OUTPUT VOLTAGE VS. OUTPUT SINK CURRENT



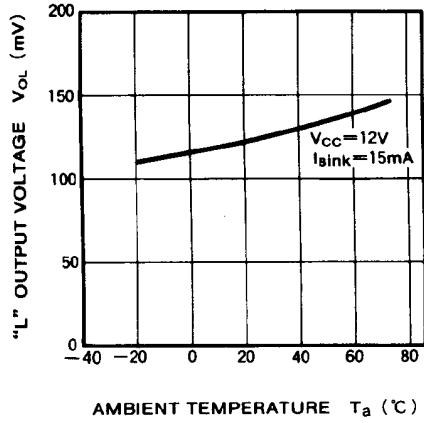
CIRCUIT CURRENT VS. AMBIENT TEMPERATURE



INPUT CURRENT VS. AMBIENT TEMPERATURE



"L" OUTPUT VOLTAGE VS. AMBIENT TEMPERATURE



OUTPUT LEAK CURRENT VS. AMBIENT TEMPERATURE

