

AN5905

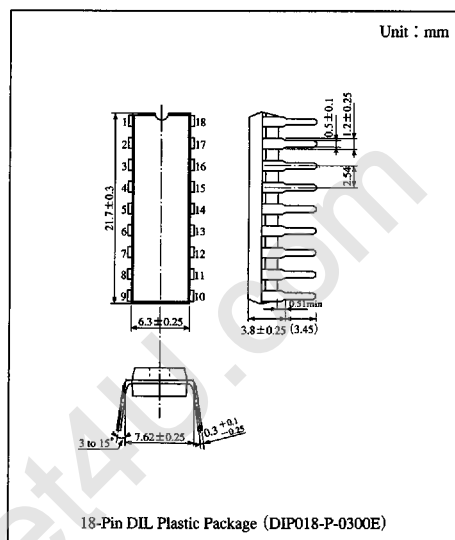
Switching Regulator Control IC

Overview

The AN5905 is an integrated circuit integrates necessary functions for switching power control and enables the miniaturization of power supply system.

Features

- Oscillation frequency variable (double or quadruple)
- Over-current protective circuit
- Soft start circuit



Block Diagram

