

T-41-37

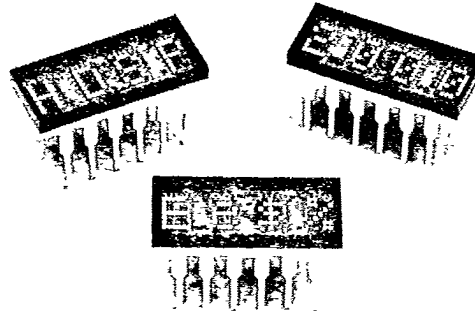


**FOUR CHARACTER 3.8 mm (0.15 INCH)
5x7 ALPHANUMERIC DISPLAYS**

- STANDARD RED HDSP-2000
- YELLOW HDSP-2001
- HIGH EFFICIENCY RED HDSP-2002
- HIGH PERFORMANCE GREEN HDSP-2003

Features

- **FOUR COLORS**
Standard Red
Yellow
High Efficiency Red
High Performance Green
- **INTEGRATED SHIFT REGISTERS WITH CONSTANT CURRENT DRIVERS**
- **COMPACT CERAMIC PACKAGE**
- **WIDE VIEWING ANGLE**
- **END STACKABLE FOUR CHARACTER PACKAGE**
- **TTL COMPATIBLE**
- **5 x 7 LED MATRIX DISPLAYS FULL ASCII SET**
- **CATEGORIZED FOR LUMINOUS INTENSITY**
- **HDSP-2001/2003 CATEGORIZED FOR COLOR**



Typical Applications

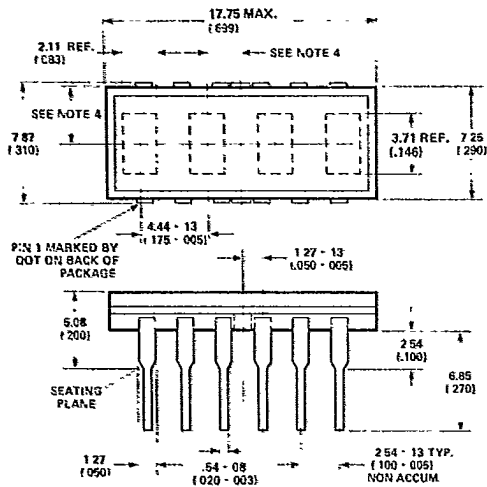
- **INDUSTRIAL PROCESS CONTROL EQUIPMENT**
- **BUSINESS MACHINES**
- **PROGRAMMABLE LEGEND SWITCHES**
- **MEDICAL INSTRUMENTS**
- **MILITARY GROUND SUPPORT EQUIPMENT**
- **COMPUTER PERIPHERALS**

Description

The HDSP-2000/-2001/-2002/-2003 series of displays are 3.8 mm 0.15 inch 5x7 LED arrays for display of alphanumeric information. These devices are available in standard red, yellow, high efficiency red, and high performance green.

Each four character cluster is contained in a 12 pin dual-in-line package. An on-board SIPO Serial-In-Parallel-Out 7-bit shift register associated with each digit controls constant current LED row drivers. Full character display is achieved by external column strobing.

Package Dimensions



PIN	FUNCTION	PIN	FUNCTION
1	COLUMN 1	7	DATA OUT
2	COLUMN 2	8	V _b
3	COLUMN 3	9	V _{cc}
4	COLUMN 4	10	CLOCK
5	COLUMN 5	11	GROUND
6	INT. CONNECT	12	DATA IN

*DO NOT CONNECT OR USE

- NOTES.**
1. DIMENSIONS IN mm (inches).
 2. UNLESS OTHERWISE SPECIFIED THE TOLERANCE ON ALL DIMENSIONS IS -.38 mm (-.015").
 3. LEAD MATERIAL IS COPPER ALLOY.
 4. CHARACTERS ARE CENTERED WITH RESPECT TO LEADS WITHIN .13mm (-.005").



Absolute Maximum Ratings (HDSP-2000/-2001/-2002/-2003)

Supply Voltage V_{CC} to Ground	-0.5V to 6.0V	Storage Temperature Range, T_s	-55°C to +100°C
Inputs, Data Out and V_B	-0.5V to V_{CC}	Maximum Allowable Power Dissipation	
Column Input Voltage, V_{COL}	-0.5V to +6.0V	at $T_A = 25^\circ C$ (1,2,3)	1.24 Watts
Free Air Operating Temperature Range, T_A (1,2)	-20°C to +85°C	Maximum Solder Temperature 1.59 mm (0.063 in):	
		Below Seating Plane $t < 5$ sec	260°C

T-41-37

Recommended Operating Conditions (HDSP-2000/-2001/-2002/-2003)

Parameter	Symbol	Min.	Nom.	Max.	Units	Fig.
Supply Voltage	V_{CC}	4.75	5.0	5.25	V	
Data Out Current, Low State	I_{OL}			1.6	mA	
Data Out Current, High State	I_{OH}			-0.5	mA	
Column Input Voltage, Column On HDSP-2000	V_{COL}	2.4		3.5	V	4
Column Input Voltage, Column On, HDSP-2001/-2002/-2003	V_{COL}	2.75		3.5	V	4
Setup Time	t_{setup}	70	45		ns	1
Hold Time	t_{hold}	30	0		ns	1
Width of Clock	$t_{w(Clock)}$	75			ns	1
Clock Frequency	f_{clock}	0		3	MHz	1
Clock Transition Time	t_{rHL}			200	ns	1
Free Air Operating Temperature Range (1,2)	T_A	-20		85	°C	2

Electrical Characteristics Over Operating Temperature Range

Unless otherwise specified

Description	Symbol	Test Conditions	Min.	Typ.*	Max.	Units	Fig.
Supply Current	I_{CC}	$V_{CC} = 5.25V$ $V_{CLOCK} = V_{DATA} = 2.4V$ All SR Stages = Logical 1	$V_B = 0.4V$		45	60	mA
			$V_B = 2.4V$		73	95	mA
Column Current at any Column Input	I_{COL}	$V_{CC} = 5.25V$ $V_{COL} = 3.5V$			500	μA	4
Column Current at any Column Input	I_{COL}	All SR Stages = Logical 1			335	410	mA
V_B , Clock or Data Input Threshold High	V_{IH}	$V_{CC} = V_{COL} = 4.75V$	2.0			V	
V_B , Clock or Data Input Threshold Low	V_{IL}				0.8	V	
Input Current Logical 1	V_B , Clock	$V_{CC} = 5.25V, V_{IH} = 2.4V$		20	80	μA	
	Data In			10	40	μA	
Input Current Logical 0	V_B , Clock	$V_{CC} = 5.25V, V_{IL} = 0.4V$		-500	-800	μA	
	Data In			-250	-400	μA	
Data Out Voltage	V_{OH}	$V_{CC} = 4.75V, I_{OH} = -0.5 mA, I_{COL} = 0 mA$	2.4	3.4		V	
	V_{OL}	$V_{CC} = 4.75V, I_{OL} = 1.6 mA, I_{COL} = 0 mA$		0.2	0.4	V	
Power Dissipation Per Package**	P_D	$V_{CC} = 5.0V, V_{COL} = 3.5V, 17.5\% DF$ 15 LEDs on per character, $V_B = 2.4V$		0.72		W	2
Thermal Resistance IC Junction-to-Case	$R_{\theta J-C}$			25		°C/W/Device	2

*All typical values specified at $V_{CC} = 5.0V$ and $T_A = 25^\circ C$ unless otherwise noted.

**Power dissipation per package with four characters illuminated.

Notes:

- 1 Operation above 85°C ambient is possible provided the following conditions are met. The junction should not exceed 125°C T_J and the case temperature as measured at pin 1 or the back of the display should not exceed 100°C T_C .
- 2 The device should be derated linearly above 50°C at 16.7 mW/°C. This derating is based on a device mounted in a socket having a thermal resistance from case to ambient at 35°C/W per device. See Figure 2 for power deratings based on a lower thermal resistance.
3. Maximum allowable dissipation is derived from $V_{CC} = 5.25V, V_B = 2.4V, V_{COL} = 3.5V$ 20 LEDs on per character, 20% DF.

Optical Characteristics

T-41-37

STANDARD RED HDSP-2000

Description	Symbol	Test Conditions	Min.	Typ.*	Max.	Units	Fig.
Peak Luminous Intensity per LED ^{4,8} ; (Character Average)	I_{VPeak}	$V_{CC} = 5.0V, V_{COL} = 3.5V$ $T_i = 25^\circ C^{(6)}, V_B = 2.4V$	105	200		μcd	3
Peak Wavelength	λ_{PEAK}			655		nm	
Dominant Wavelength ⁷	λ_d			639		nm	

YELLOW HDSP-2001

Description	Symbol	Test Conditions	Min.	Typ.*	Max.	Units	Fig.
Peak Luminous Intensity per LED ^{4,8} ; (Character Average)	I_{VPeak}	$V_{CC} = 5.0V, V_{COL} = 3.5V$ $T_i = 25^\circ C^{(6)}, V_B = 2.4V$	400	750		μcd	3
Peak Wavelength	λ_{PEAK}			583		nm	
Dominant Wavelength ^{5,7}	λ_d			585		nm	

HIGH EFFICIENCY RED HDSP-2002

Description	Symbol	Test Conditions	Min.	Typ.*	Max.	Units	Fig.
Peak Luminous Intensity per LED ^{4,8,1} ; (Character Average)	I_{VPeak}	$V_{CC} = 5.0V, V_{COL} = 3.5V$ $T_i = 25^\circ C^{(6)}, V_B = 2.4V$	400	1430		μcd	3
Peak Wavelength	λ_{PEAK}			635		nm	
Dominant Wavelength ⁷	λ_d			626		nm	

HIGH PERFORMANCE GREEN HDSP-2003

Description	Symbol	Test Conditions	Min.	Typ.*	Max.	Units	Fig.
Peak Luminous Intensity per LED ^{4,8} ; (Character Average)	I_{VPeak}	$V_{CC} = 5.0V, V_{COL} = 3.5V$ $T_i = 25^\circ C^{(6)}, V_B = 2.4V$	850	1550		μcd	3
Peak Wavelength	λ_{PEAK}			568		nm	
Dominant Wavelength ^{5,7}	λ_d			574		nm	

*All typical values specified at $V_{CC} = 5.0V$ and $T_A = 25^\circ C$ unless otherwise noted

**Power dissipation per package with four characters illuminated.

Notes:

- The characters are categorized for luminous intensity with the intensity category designated by a letter code on the bottom of the package.
- The HDSP-2001/-2003 are categorized for color with the color category designated by a number code on the bottom of the package.
- T_i refers to the initial case temperature of the device immediately prior to the light measurement.

- Dominant wavelength λ_d is derived from the CIE chromaticity diagram, and represents the single wavelength which defines the color of the device

- The luminous sterance of the LED may be calculated using the following relationships.

$$L_v \text{ (cd/m}^2\text{)} = I_v \text{ (Candela)} / A \text{ (Metre}^2\text{)}$$

$$L_v \text{ (Footlamberts)} = \pi I_v \text{ (Candela)} / A \text{ (Foot}^2\text{)}$$

$$A = 5.3 \times 10^{-9} \text{ M}^2 = 5.8 \times 10^{-7} \text{ Foot}^2$$

Electrical Description

The HDSP-200X series of four character alphanumeric displays have been designed to allow the user maximum flexibility in interface electronics design. Each four character display module features DATA IN and DATA OUT terminals arrayed for easy PC board interconnection. DATA OUT represents the output of the 7th bit of digit number 4 shift register. Shift register clocking occurs on the high to low transition of the clock input. The like columns of each character in a display cluster are tied to a single pin. Figure 5 is the block diagram for the displays. High true data in the shift register enables the output current mirror driver stage associated with each row of LEDs in the 5 x 7 diode array.

The TTL compatible V_B input may either be tied to V_{CC} for maximum display intensity or pulse width modulated to achieve intensity control and reduction in power consumption.

In the normal mode of operation, input data for digit 4 column 1 is loaded into the 7 on-board shift register locations 1 through 7. Column 1 data for digits 3, 2 and 1 is similarly shifted into the display shift register locations. The

column 1 input is now enabled for an appropriate period of time, T. A similar process is repeated for columns 2, 3, 4 and 5. If the time necessary to decode and load data into the shift register is t, then with 5 columns, each column of the display is operating at a duty factor of:

$$D.F. = \frac{T}{5t + T}$$

The time frame, t + T, allotted to each column of the display is generally chosen to provide the maximum duty factor consistent with the minimum refresh rate necessary to achieve a flicker free display. For most strobed display systems, each column of the display should be refreshed turned on at a minimum rate of 100 times per second.

With columns to be addressed, this refresh rate then gives a value for the time t + T of:

$$1/5 \times 100 = 2 \text{ msec}$$

If the device is operated at 3.0 MHz clock rate maximum, it is possible to maintain t << T. For short display strings, the duty factor will then approach 20%.

For further applications information, refer to HP Application Note 1016.

T-41-37

SOLID STATE DISPLAYS

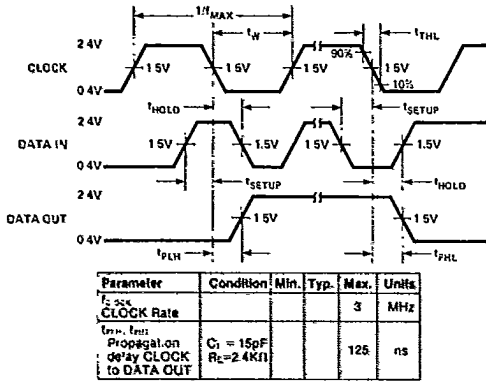


Figure 1. Switching Characteristics HDSP-2000/-2001/-2002/-2003 ($T_A = -20^\circ C$ to $-85^\circ C$)

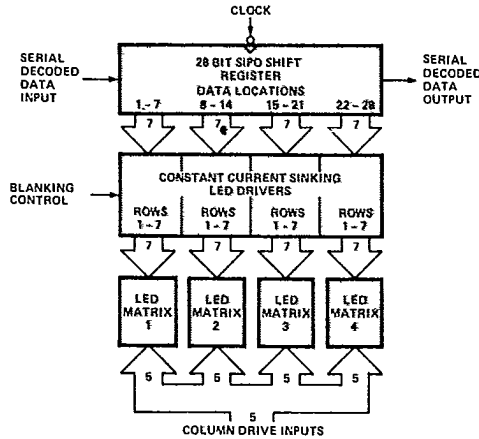


Figure 5. Block Diagram of HDSP-2000/-2001/-2002/-2003

Mechanical and Thermal Considerations

The HDSP-2000/-2001/-2002/-2003 are available in standard ceramic dual-in-line packages. They are designed for plugging into sockets or soldering into PC boards. The packages may be horizontally or vertically stacked for character arrays of any desired size. Full power operation $V_{CC} = 5.25V$, $V_B = 2.4V$, $V_{COL} = 3.5V$ with worst case thermal resistance from IC junction to ambient of $60^\circ C/watt/device$ is possible up to ambient temperature of $50^\circ C$. For operation above $50^\circ C$, the maximum device dissipation should be derated linearly at $16.7 mW/^\circ C$ (see Figure 2). With an improved thermal design, operation at higher ambient temperatures without derating is possible.

Power derating for this family of displays can be achieved in several ways. The power supply voltage can be lowered to a minimum of $4.75V$. Column Input Voltage, V_{COL} , can be decreased to the recommended minimum values of $2.4V$ for the HDSP-2000 and $2.75V$ for the HDSP-2001/-2002/-2003. Also, the average drive current can be decreased through pulse width modulation of V_B . Please refer to HP Application Note 1016 for further information.

The HDSP-2000/-2001/-2002/-2003 displays have glass windows. A front panel contrast enhancement filter is desirable in most actual display applications. Some suggested filter materials are provided in Figure 6. Additional information on filtering and contrast enhancement can be found in HP Application Note 1015.

Post solder cleaning may be accomplished using water or Freon/alcohol mixtures formulated for vapor cleaning processing or Freon/alcohol mixtures formulated for room temperature cleaning. Freon/alcohol vapor cleaning processing for up to 2 minutes in vapors at boiling is permissible. Suggested solvents include Freon TF, Freon TE, Genesolv DI-15, Genesolv DE-15, and water.

Display Color	Ambient Lighting		
	Dim	Moderate	Bright
HDSP-2000 (Std. Red)	Panelgraphic Dark Red 63 Ruby Red 60 Chequers Red 118 Pixiglass 2423		
HDSP-2001 (Yellow)	Panelgraphic Yellow 27 Chequers Amber 107	Polaroid HNCP37 3M Light Control Film Panelgraphic Gray 10	Polaroid HNCP10-Glass Marks Polarized MPC-0301-8-10 Note 1
HDSP-2002 (HER)	Panelgraphic Ruby Red 60 Chequers Red 112	Chequers Grey 105	Polaroid HNCP10-Glass Marks Polarized MPC-0201-2-22
HDSP-2003 (HP Green)	Panelgraphic Green 48 Chequers Green 107		Polaroid HNCP10-Glass Marks Polarized MPC-0101-5-12

Note: 1. Optically coated circular polarized filters, such as Polaroid HNCP10.

Figure 6. Contrast Enhancement Filters

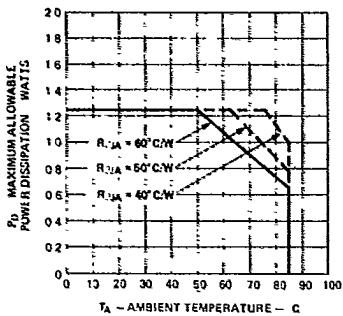


Figure 2. Maximum Allowable Power Dissipation vs. Temperature

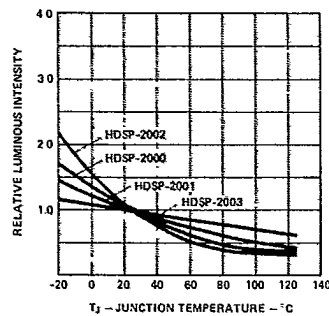


Figure 3. Relative Luminous Intensity vs. Temperature

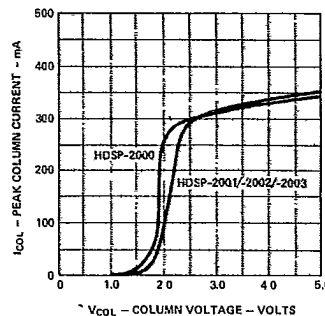
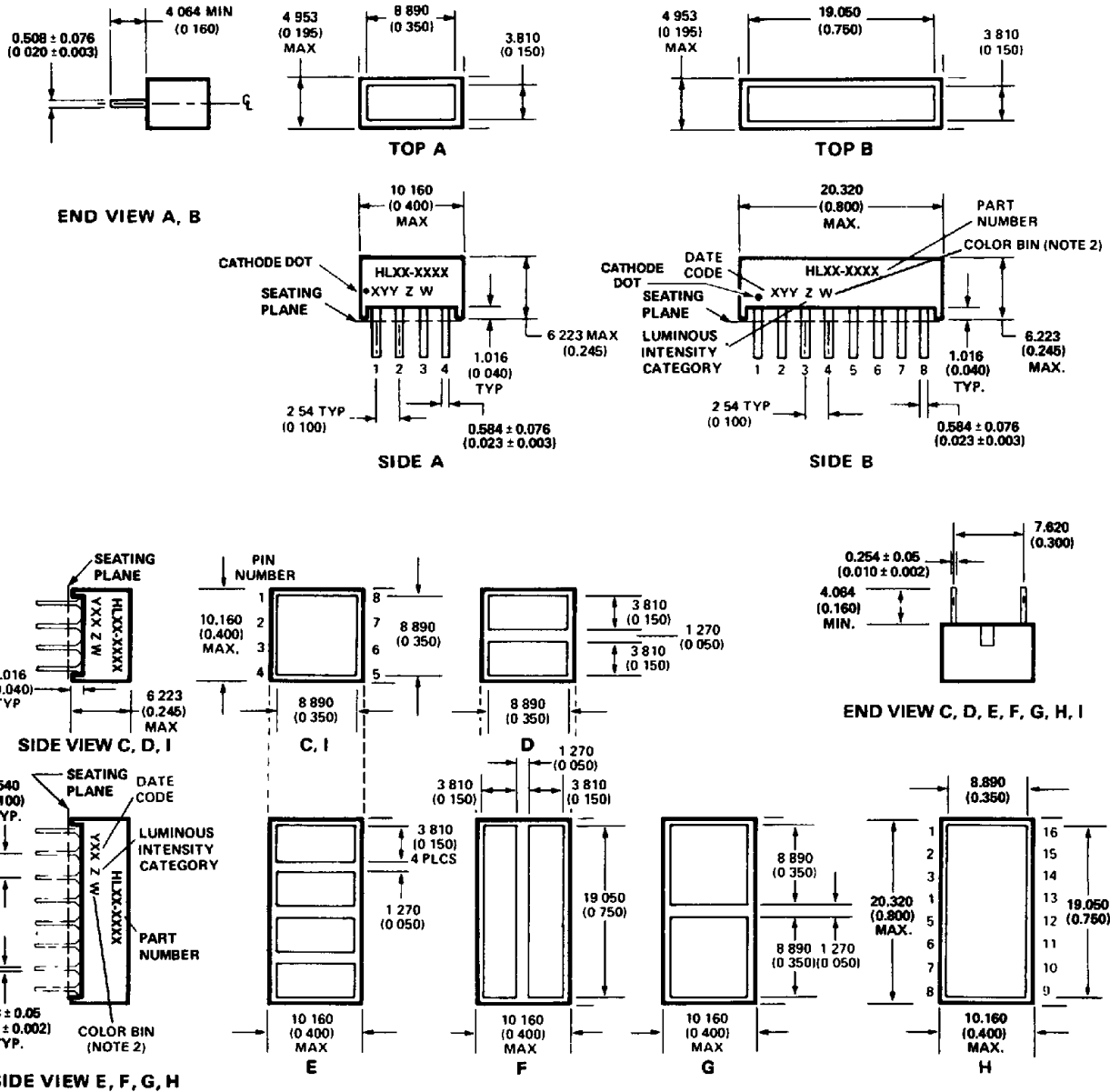


Figure 4. Peak Column Current vs. Column Voltage

Package Dimensions



NOTES:
 1. DIMENSIONS IN MILLIMETRES (INCHES). TOLERANCES ±0.25 mm (±0.010 IN.) UNLESS OTHERWISE INDICATED.
 2. FOR YELLOW AND GREEN DEVICES ONLY.