

DC/DC power module 12V/0.92A/11W

- SMD with ultra-low component height 8.0 mm (0.315 in.)
- 81% efficiency at full load
- 1,500 Vdc isolation at full load
- Switching frequency synchronization
- MTBF >10 million hours at +50°C case temperature
- Low EMI



The MacroDens™ 11W PKF 5113 I, true component level on-board DC/DC power modules, are intended as distributed power sources in decentralized power systems with input voltages ranging from 18-75 VDC. They are optimized for an operational ambient temperature range in compliance with present and future application needs, including non temperature controlled environments.

The mechanical design offers the choice of surface mount or through-hole versions, delivered in ready-to-use tubes, trays or tape & reel package, and compatibility with semi and fully aqueous cleaning processes.

For mechanical and other information please refer to the PKF series General information data sheet.

Absolute Maximum Ratings

Characteristics		min	max	Unit
T _C	Case temperature at full output power	-45	+100	°C
T _S	Storage temperature	-55	+125	°C
V _I	Continuous input voltage ¹⁾	-0.5	+80	Vdc
V _{ISO}	Isolation voltage (input to output test voltage)	1,500		Vdc
W _{tr}	Transient input energy		0.01	Ws
V _{RC}	Remote control voltage pin 10,11 ref. to pin 17.	-5	+16	Vdc
V _{adj}	Output adjust voltage pin 8,9 ref. to pin 17.	-5	+40	Vdc

Stress in excess of Absolute Maximum Ratings may cause permanent damage. Absolute Maximum Ratings, sometimes referred to as no destruction limits, are normally tested with one parameter at a time exceeding the limits of Output data or Electrical Characteristics. If exposed to stress above these limits, function and performance may degrade in an unspecified manner.

Input T_C < T_{Cmax} unless otherwise specified

Characteristics		Conditions	min	typ	max	Unit
V _I	Input voltage range ¹⁾		18		75	V
V _{off}	Turn-off input voltage	(See typical characteristics)	15.0	16.0		V
V _{on}	Turn-on input voltage	(See typical characteristics)		17.4	17.9	V
C _I	Input capacitance			1.4		μF
P _{II}	Input idling power	I _O = 0, T _C = -30 ...+90°C	(V _I = 27V) (V _I = 53V)	330 220		mW
P _{RC}	Input stand-by power	T _C = -30 ...+90°C RC connected to pin 17	(V _I = 27V) (V _I = 53V)	2.4 35		mW

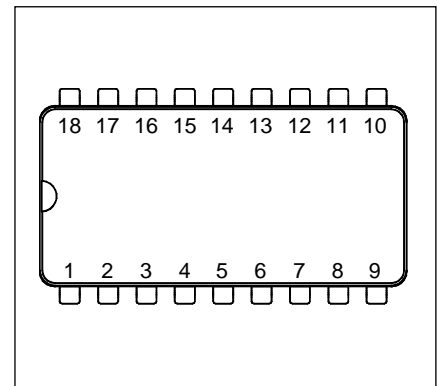
Notes:

- 1) The input voltage range 18...75 Vdc meets the European Telecom Standard prETS 300 132-2 Nominal input voltage range in 48 V and 60 Vdc power systems, -40.5...-57.0 V and -50.0...-72.0 V respectively. Absolute max continuous input voltage is 80 Vdc.
- 2) The power module will operate down to ≤ 35V, when V_I decreases, but will turn on to at V_I ≤ 36V, when V_I increases (see also Operating information).

Connections

Pin	Designation	Function
1	+Out	Positive Output
2	Rtn	Output return
3-6	NC	Not connected. Galvanically isolated from input pins
7	Sync	Synchronization input
8	V _{adj}	Output voltage adjust
9	NOR	Connection of Nominal Output voltage Resistor
10	TOA	Turn-on/off input voltage adjust
11	RC	Remote control and turn-on/off input voltage adjust
12-16	NC	Not connected. Galvanically isolated from input pins
17	-In	Negative input
18	+In	Positive input

Note: Pins 8 & 9 must be jumpered for nominal output voltage.



Safety

The PKF 5113 I DC/DC power module meets the requirements of

UL/EN 60 950, *Safety of information technology equipment including electrical business equipment*. The PKF power modules are recognized by UL and meet the applicable requirements in UL 1950 *Safety of information technology equipment*, the applicable Canadian safety requirements and UL 1012 *Standard for power supplies*.

The DC/DC power module shall be installed in an end-use equipment and considerations should be given to measuring the case temperature to comply with T_{Cmax} when in operation. Abnormal component tests are conducted with the input protected by an external 15 A fuse. The need for repeating these tests in the end-use appliance shall be considered if installed in a circuit having higher rated devices.

When the supply to the DC/DC power module meets all the requirements for SELV (<60Vdc), the output is considered to remain within SELV limits (level 3). The isolation is an operational insulation in accordance with EN 60 950.

The DC/DC power module is intended to be supplied by isolated secondary circuitry and shall be installed in compliance with the requirements of the ultimate application. If they are connected to

a 60 V DC system reinforced insulation must be provided in the power supply that isolates the input from the mains. Single fault testing in the power supply must be performed in combination with the DC/DC power module to demonstrate that the output meets the requirement for SELV. One pole of the input and one pole of the output is to be grounded or both are to be kept floating. The terminal pins are only intended for connection to mating connectors of internal wiring inside the end-use equipment.

These DC/DC power modules may be used in telephone equipment in accordance with paragraph 34 A.1 of UL 1459 (Standard for Telephone Equipment, second edition).

The galvanic isolation is verified in an electric strength test.

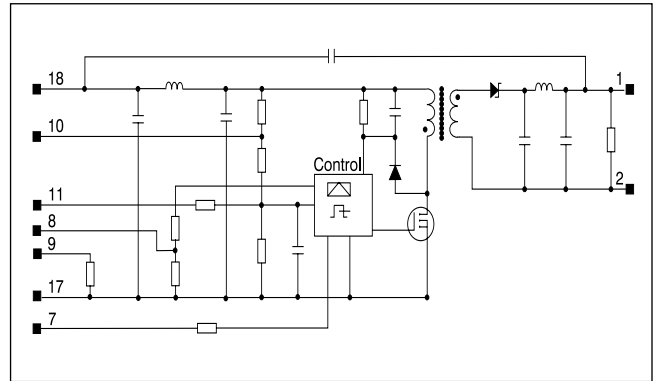
Test voltage (V_{ISO}) between input and output is 1,500 Vdc for 60 s. In production the test duration may be decreased to 1 s.

The capacitor between input and output has a value of 1nF and the leakage current is less than 1 μ A @ 53 Vdc.

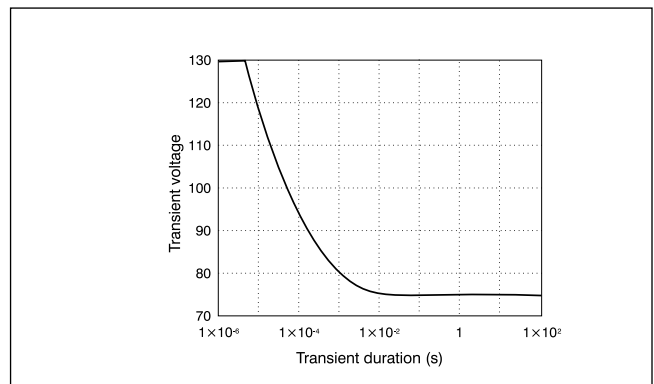
The case is designed in non-conductive epoxy. Its flammability rating meets UL 94V-0. The oxygen index is 34%.

Electrical Data

Fundamental circuit diagram, Single output



Transient input voltage



Single voltage pulse at +25°C ambient temperature.

Output

$T_C = -30...+95^\circ\text{C}$, $V_I = 18...75\text{ V}$ and pin 8 connected to pin 9, unless otherwise specified.

Characteristics		Conditions		Output 1			Unit
				min	typ	max	
V_{OI}	Output voltage initial setting and accuracy	$T_C = +25^\circ\text{C}$, $I_O = 0.45\text{A}$, $V_I = 53\text{V}$		11.94	12.00	12.06	V
	Output adjust range ¹⁾			6.7		15	
V_O	Output voltage tolerance band	Long term drift included	$I_O = 0.092 \dots 0.92\text{A}$	11.60		12.60	V
	Idling voltage	$I_O = 0\text{A}$		13			
	Line regulation	$I_O = 0.92\text{A}$	$V_I = 18 \dots 75\text{V}$	30		mV	
	Load regulation	$I_O = 0.092 \dots 0.92\text{A}$, $V_I = 53\text{V}$		300		mV	
t_{tr}	Load transient recovery time	$I_O = 0.1 \dots 1.0 \times I_{Omax}$, $V_I = 53\text{V}$		150		μs	
V_{tr}	Load transient voltage	load step = 0.45A		± 300		mV	
T_{coeff}	Temperature coefficient	$I_O = 0.92\text{ A}$, $T_C = +40 \dots +90^\circ\text{C}$		-3.5		$\text{mV}/^\circ\text{C}$	
t_r	Ramp-up time	$I_O = 0.092 \dots 0.92\text{A}$ $V_I = 53\text{V}$	$0.1 \dots 0.9 \times V_O$	2		ms	
t_s	Start-up time		From V_I connection to $V_O = 0.9 \times V_{OI}$	4.5			
I_O	Output current			0		0.92	A
P_{Omax}	Max output power ²⁾	Calculated value		11		W	
I_{lim}	Current limiting threshold	$T_C < T_{Cmax}$, $V_O = 10\text{V}$		1.2		1.5	A
I_{sc}	Short circuit current	$V_O = 0.2 \dots 0.5\text{V}$, $T_C = +25^\circ\text{C}$		2		A	
V_{Oac}	Output ripple & noise	$I_O = I_{Omax}$	20Hz ... 5MHz	20		50	mV_{p-p}
			0.6 ... 50MHz			80	$\text{dB}_{\mu\text{V}}$
SVR	Supply Voltage Rejection (ac)	f = 100 Hz sine wave, 1 V_{p-p} , $V_I = 53\text{ V}$ (SVR = 20 log (1 $V_{p-p}/V_{O(p-p)}$))		60		dB	

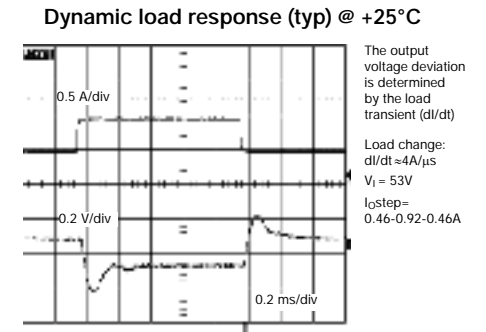
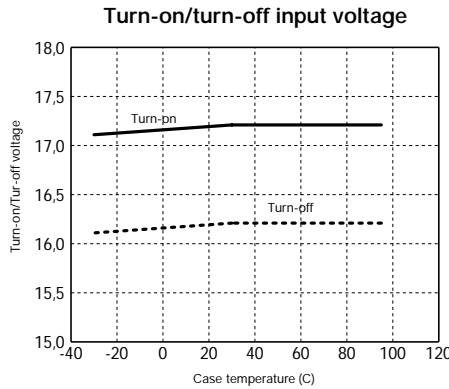
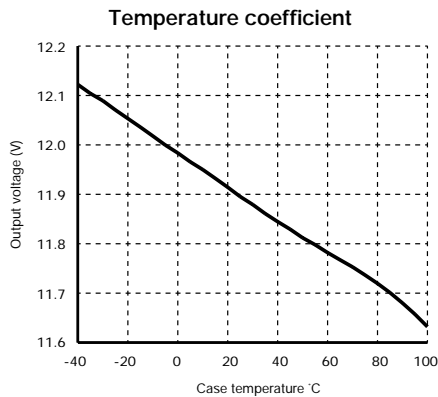
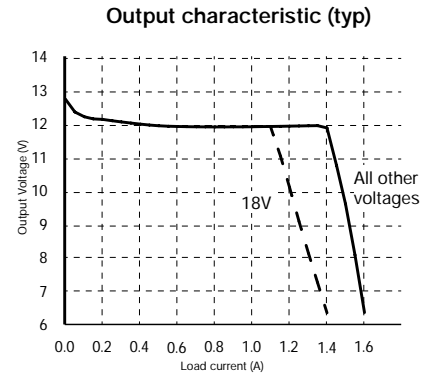
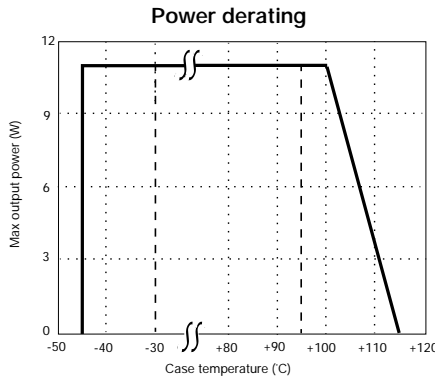
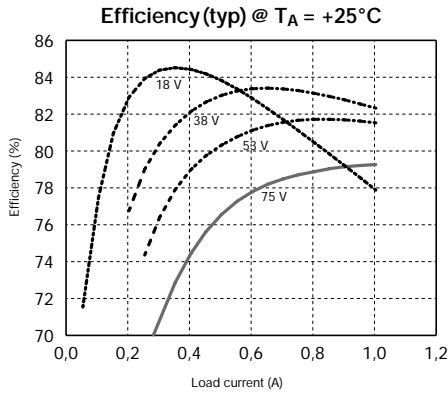
¹⁾ See also Operating Information.

²⁾ See Typical Characteristics.

Miscellaneous

Characteristics		Conditions		min	typ	max	Unit
η	Efficiency	$I_O = 0.92\text{ A}$	$V_I = 27\text{V}$	78	81		%
			$V_I = 53\text{V}$	77	80		
P_d	Power dissipation		$V_I = 27\text{V}$		2.2		W
			$V_I = 53\text{V}$		2.5		

Typical Characteristics



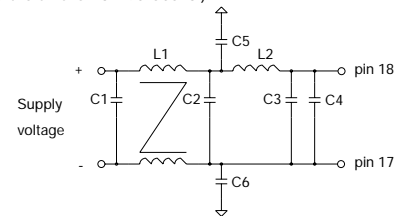
EMC Specifications

During EMC measurements the PKF power module is measured directly.
 The fundamental switching frequency is 510 kHz $\pm 5\%$ at $I_O = 0.092\text{-}0.92\text{A}$
 Test Conditions: $V_I = 53\text{V}$, $I_O = 0.92\text{A}$ at room temperature

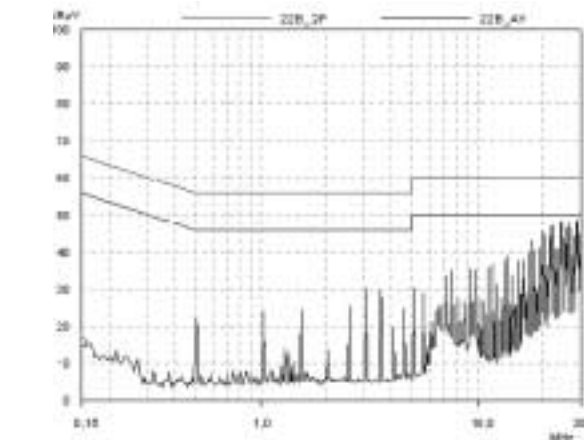
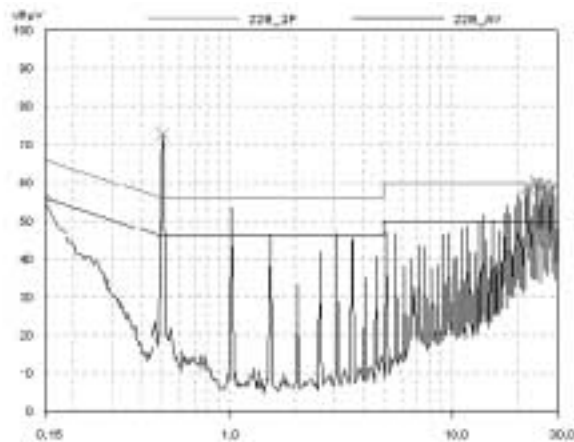
External Filter (class B)

Required external input filter in order to meet class B in EN 55022, CISPR 22 and FCC part 15J.

$L1 = 51\mu\text{H}$ (Recommended part: Siemens B82790-S0513)
 $L2 = 10\mu\text{H}$
 $C1, C2, C3 = 0.68\mu\text{F}$
 $C4 = 22\mu\text{F}$
 $C5, C6 = 10\text{nF}$



Conducted EMI (input terminals)



PKF 5113 without filter.

PKF 5113 with filter.

Radiated EMS (Electro-Magnetic Fields)

Radiated EMS is measured according to test methods in IEC Standard publ. 801-3. No deviation outside the V_O tolerance band will occur under the following conditions:

Frequency range	Voltage level
0.01...200 MHz	3 V_{rms}/m
200...1,000 MHz	3 V_{rms}/m
1...12 GHz	10 V_{rms}/m

Conducted EMS

Electro Magnetic Susceptibility is measured by injection of electrical disturbances on the input terminals. No deviation outside the V_O tolerance band will occur under the following conditions:

Frequency range	Voltage level
30...300 MHz	1.0 V_{rms}

The signal is amplitude modulated with 1 kHz/80% and applied in both differential and common mode.

ESD

Electro Static Discharge is tested according to IEC publ. 801-2. No destruction will occur if the following voltage levels are applied to any of the terminal pins:

Test	Voltage level
Air discharge	± 4 kV
Contact discharge	± 2 kV

EFT

Electrical Fast Transients on the input terminals could affect the output voltage regulation causing functional errors on the Printed Board Assembly (PBA). The PKF power modules withstand EFT levels of 0.5 kV keeping V_O within the tolerance band and 2.0 kV without destruction. Tested according to IEC publ. 801-4.

Output Ripple & Noise (V_{Oac})

Output ripple is measured as the peak to peak voltage of the fundamental switching frequency.

Operating Information

Fuse Considerations

To prevent excessive current from flowing through the input supply line, in the case of a short-circuit across the converter input, an external fuse should be installed in the non-earthed input supply line. We recommend using a fuse rated at approximately 2 to 4 times the value calculated in the formula below:

$$I_{inmax} = \frac{P_{Omax}}{(\eta_{min} \times V_{Imin})}$$

Refer to the fuse manufacturer for further information.

Remote Control (RC)

Turn-on or turn-off can be realized by using the RC-pin. If pin 11 is connected to pin 17 the power module turns off. Normal operation is achieved if pin 11 is open (NC). To ensure safe turn-off the voltage difference between pin 11 and 17 shall be less than 1.0V. RC is an open collector compatible input. A sink capacity of 1mA is needed. (see fig. 1).

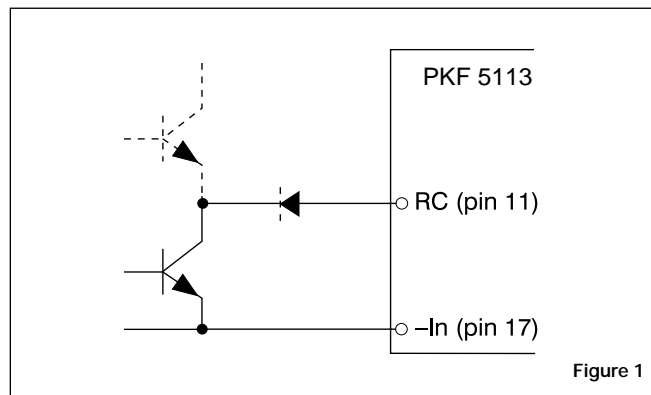


Figure 1

Turn-on/off Input Voltage

The power module monitors the input voltage and will turn on and turn off at predetermined levels set by means of external resistors.

To increase V_{IOn} a resistor should be connected between pin 11 and 17 (see fig. 2).

The resistance is given by the following equation:

$$\text{For } V_I > 17.4V, \\ R_{iunom} = (800 - V_I) / (V_I - 17.2) \text{ k}\Omega$$

V_I is the desired turn-on input voltage. The values are nominal and apply when the unadjusted module turns on at 17.2V.

$V_{I on}$ can not be decreased.

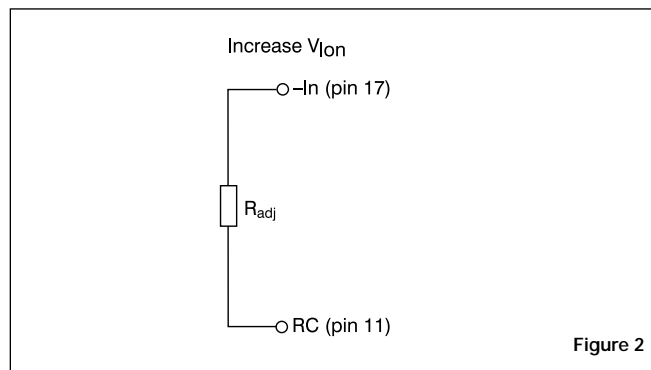


Figure 2

Output Voltage Adjust (V_{adj})

Output voltage, V_O , can be adjusted by using an external resistor or other external circuitry. If other circuitry is used, the slew rate has to be limited to maximum 5 V/ms. If pins 8 and 9 are not connected together the output will decrease to approximately 6.7 V. To increase V_O a resistor should be connected between pin 8/9 and 17, and to decrease V_O a resistor should be connected between pin 8 and 9 (see fig. 3).

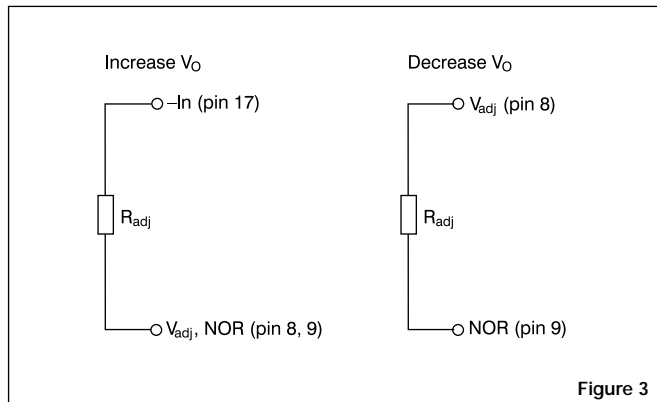
To increase output voltage:

$$R_{O\text{ndom}} = 4.20 \times (15 - V_O) / (V_O - V_i) \text{ k}\Omega$$

To decrease output voltage:

$$R_{O\text{dnom}} = 18 \times (V_i - V_O) / (V_O - 6.7) \text{ k}\Omega$$

V_i is the initial output voltage when pin 8 and 9 are connected, V_O is the desired output voltage.



Current Limiting Protection (I_{lim})

The output power is limited at loads above the output current limiting threshold (I_{lim}), specified as a minimum value.

Capacitive Load

The PKF series has no maximum limit for capacitive load on the output. The power module may operate in current limiting mode during start-up, affecting the ramp-up and the start-up time. For optimum start performance we recommend maximum 100 $\mu\text{F}/\text{A}$ of I_O . Connect capacitors at the point of load for best performance.

Input and Output Impedance

Both the source impedance of the power feeding and the load impedance will interact with the impedance of the DC/DC power module.

Due to the low energy storage capability of the power module, it is very important to maintain a low characteristic impedance at the input and output of the module i.e. a low ratio between L and C.

Use an electrolytic capacitor across the input if the source inductance is higher than 10 μH . Their equivalent series resistance together with the capacitance acts as a lossless damping filter. Suitable capacitor values are in the range 10–100 μF .

Synchronization (Sync)

It is possible to synchronize the switching frequency to an external symmetrical clock signal. The input can be driven by an TTL-compatible output and referenced to the input pin 17.

Characteristics	min	typ	max	Unit
High level	2.2		6.5	V
Threshold level ¹⁾	1.2	1.7	2.2	V
Low level	0		0.4	V
Sink current			1.5	mA
Sync. frequency	520		688	kHz

¹⁾ Rise time <10ns

Parallel Operation

Paralleling of several converters is easily accomplished by direct connection of the output voltage terminal pins. The load regulation characteristic is specifically designed for optimum paralleling performance. Load sharing between converters will be within $\pm 10\%$. It is recommended not to exceed $P_O = n \times 0.9 \times P_{O\text{max}}$, where $P_{O\text{max}}$ is the maximum converter output power and n the number of paralleled converters, to prevent overloading any of the converters and thereby decreasing the reliability performance.

Ordering Information

Version	Part No.
Surface mount	PKF 5113 SI

Information given in this data sheet is believed to be accurate and reliable.
No responsibility is assumed for the consequences of its use nor for any infringement of patents or other rights of third parties which may result from its use.
No license is granted by implication or otherwise under any patent or patent rights of Ericsson Power Modules. These products are sold only according to Ericsson Power Modules' general conditions of sale, unless otherwise confirmed in writing. Specifications subject to change without notice.

Ericsson Power Modules

Månskärsvägen 9
SE-141 75 KUNGENS KURVA
Phone: +46 8 568 69620
www.ericsson.com/powermodules

The latest and most complete information can be found on our website

Preliminary Data Sheet

EN/LZT 146 195 R1A
© Ericsson Power Modules AB, October 2002