

SANYO**LC74795, 74795M****On-Screen Display Controller LSI****Preliminary****Overview**

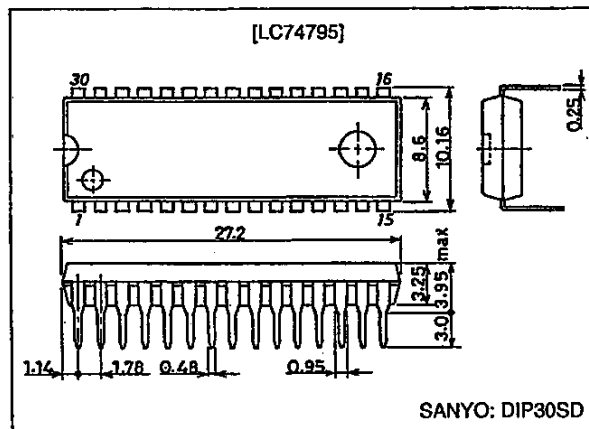
The LC74795 and LC74795M are CMOS LSIs for on-screen display, a function that displays characters and patterns on a TV screen under microprocessor control. They feature a built-in PDC/VPS/UDT interface circuit. These LSIs support 12×18 dot characters and can display 12 lines by 24 characters of text.

Features

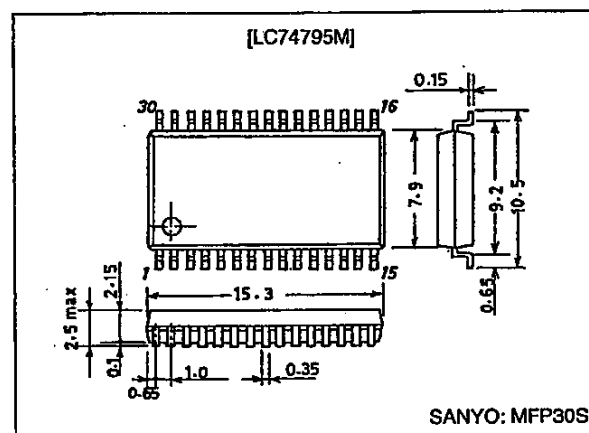
- Display format: 24 characters by 12 rows (Up to 288 characters)
- Character format: 12 (horizontal) \times 18 (vertical) dots
- Character sizes: Three sizes each in the horizontal and vertical directions
- Characters in font: 128
- Initial display positions: 64 horizontal positions and 64 vertical positions
- Blinking: Specifiable in character units
- Blinking types: Two periods supported: 1.0 second and 0.5 second
- Blanking: Over the whole font (12×18 dots)
- Background color
 - Background coloring: 8 colors (internal synchronization mode): 4fsc
 - Background coloring: 6 colors (internal synchronization mode): 2fsc
- Line background color
 - Can be set for 3 lines
 - Line background coloring: 8 colors (internal synchronization mode): 4fsc
 - Line background coloring: 6 colors (internal synchronization mode): 2fsc
 - Blue background only: NTSC
- External control input: 8-bit serial input format
- Sync separator circuit and AFC circuit
- PDC/VPS/UDT interface circuit that supports the I²C bus
- Composite video output in the PAL or NTSC format

Package Dimensions

unit: mm

3196-DIP30SD

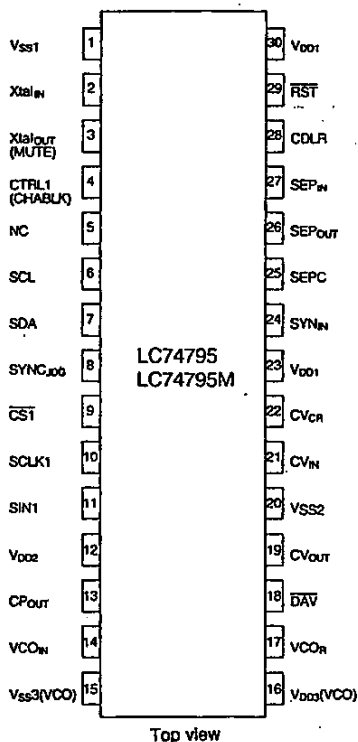
unit: mm

3216A-MFP30S**SANYO Electric Co., Ltd. Semiconductor Business Headquarters**

TOKYO OFFICE Tokyo Bldg., 1-10, 1 Chome, Ueno, Taito-ku, TOKYO, 110 JAPAN

LC74795, 74795M

Pin Assignment



Pin Functions

Pin no.	Pin	Function	Notes
1	V _{SS}	Ground	Ground connection (digital system ground)
2	Xtal _{IN}	Crystal oscillator (MUTE input)	These pins are used either to connect the crystal and capacitor used to form an external crystal oscillator used to generate the internal synchronizing signals, or to input and external clock signal (2fsc or 4fsc). As a mask option, the Xtal _{OUT} pin can be set to function as the MUTE input pin. When this pin is set low, the video output is held at the pedestal level. (A pull-up resistor is built in and the input has hysteresis characteristics.)
3	Xtal _{OUT} (MUTE)		
4	CTRL1 (CHABLK)	Crystal oscillator input switching (CHABLK output)	Switches the mode between external clock input and crystal oscillator operation. A low level selects crystal oscillator operation and a high level selects external clock input. As a mask option, the CTRL1 input pin can be set to function as the CHABLK (character * border) output. This is a 3-value output.
5	NC		Not connected
6	SCL	Clock input pin	Clock input for PDC/VPS data output. I ² C bus.
7	SDA	Data input/output pin	PDC/VPS data input/output pin. I ² C bus. Address [XXXX XXXX] Write address: 0111 1100 Read address: 0111 1101
8	SYNC _{JDG}	External synchronizing signal judgment output	Outputs the state of the external synchronizing signal presence/absence judgment. Outputs a high level when synchronizing signals are present. Outputs the crystal oscillator clock when CS1 is low and RST is low. (This signal is not output on command resets.)
9	CS1	Enable input 1	Enable input pin for the OSD serial data input function. Serial data input is enabled when this pin is low. A pull-up resistor is built in and the input has hysteresis characteristics.
10	SCLK1	Clock input 1	Input for the serial data input clock. A pull-up resistor is built in. (The input has hysteresis characteristics.)
11	SIN1	Data input 1	Serial data input. A pull-up resistor is built in. (The input has hysteresis characteristics.)
12	V _{DD2}	Power supply	Composite video signal level adjustment power supply (analog system power supply)
13	CP _{OUT}	Charge pump output	The charge pump output. Connect a low-pass filter to this pin.
14	VCO _{IN}	Oscillator control voltage input	Used for the VCO control voltage input.
15	V _{SS3}	Ground	Ground connection (VCO ground)

Continued on next page.

LC74795, 74795M

Continued from preceding page,

Pin no.	Pin	Function	Notes
16	V _{DD3}	Power supply (+5 V)	The VCO power supply: +5 V
17	V _{CCR}	Oscillator range adjustment	Connection for the VCO oscillator range adjustment resistor
18	DAV	Data present output	Outputs a low level when PDC/VPS data has been received.
19	CV _{OUT}	Video signal output	Composite video signal output
20	V _{SS2}	Ground	Ground connection (analog system ground)
21	CV _{IN}	Video signal input	Composite video signal input
22	CV _{CR}	Video signal input	SECAM chrominance signal input
23	V _{DD1}	Power supply (+5 V)	Power supply (+5 V: digital system power supply)
24	SYN _{IN}	Sync separator circuit input	Video signal output for the built-in sync separator circuit
25	SEPC	Sync separator circuit adjustment	Built-in sync separator circuit adjustment
26	SEP _{OUT}	Composite synchronizing signal output	Video signal output for the built-in sync separator circuit. Can be switched to function as an output for signal (high or ST. pulse) due to MOD0 by setting SEL0 high.
27	SEP _{IN}	Vertical synchronizing signal input	Inputs the vertical synchronizing signal created by integrating the SEP _{OUT} pin output signal. An integration circuit must be connected to the SEP _{OUT} pin. This pin must be tied to V _{DD1} if unused.
28	CDLR	Background color phase adjustment	Background color phase adjustment. Connect to ground through a resistor.
29	RST	Reset input	System reset input A pull-up resistor is built in and the input has hysteresis characteristics.
30	V _{DD1}	Power supply (+5 V)	Power supply (+5 V: digital system power supply)

Specifications

Absolute Maximum at T_a = 25°C

Parameter	Symbol	Conditions	Ratings	Unit
Maximum power supply voltage	V _{DDmax}	V _{DD1} and V _{DD2}	V _{SS} - 0.3 to V _{SS} + 7.0	V
Input voltage	V _{IN}	All input pins	V _{SS} - 0.3 to V _{DD} + 0.3	V
Output voltage	V _{OUT}	DAV, SDA, SEP _{OUT} , and SYNC _{JDG}	V _{SS} - 0.3 to V _{DD} + 0.3	V
Allowable power dissipation	Pd max		350	mW
Operating temperature	Topr		-30 to +70	°C
Storage temperature	Tstg		-40 to +125	°C

Allowable Operating Ranges at T_a = -30 to +70°C

Parameter	Symbol	Conditions	Ratings			Unit
			min	typ	max	
Supply voltage	V _{DD1}	V _{DD1} and V _{DD2}	4.5	5.0	5.5	V
	V _{DD2}	V _{DD2}	4.5	5.0	1.27V _{DD1}	V
Input high-level voltage	V _{IH1}	RST, CS1, SIN1, SCLK1, MUTE, SCL, and SDA	0.8V _{DD1}		V _{DD1} + 0.3	V
	V _{IH2}	CTRL1	0.7V _{DD1}		V _{DD1} + 0.3	V
Input low-level voltage	V _{IL1}	RST, CS1, SIN1, SCLK1, MUTE, SCL, and SDA	V _{SS} - 0.3		0.2V _{DD1}	V
	V _{IL2}	CTRL1	V _{SS} - 0.3		0.3V _{DD1}	V
Pull-up resistance	R _{PU}	Applies to pins set for the RST, CS1, SIN1, SCLK1, and MUTE pin options.	25	50	90	kΩ
Composite video signal input voltage	V _{IN1}	CV _{IN} , CV _{CR} ; V _{DD1} = 5 V		2.0		Vp-p
	V _{IN2}	SYN _{IN} ; V _{DD1} = 5 V	1.5	2.0	2.5	Vp-p
Input voltage	V _{IN3}	Xtal _{IN} (When external clock input is used) f _{in} = 2 fsc or 4 fsc; V _{DD1} = 5 V	0.10		5.0	Vp-p
Oscillator frequency	FOSC1	The Xtal _{IN} and Xtal _{OUT} oscillator pins (2 fsc: PAL)		8.867		MHz
	FOSC2	The Xtal _{IN} and Xtal _{OUT} oscillator pins (4 fsc: PAL)		17.734		MHz

Note: When the Xtal_{IN} pin is used in clock input mode, extreme care must be taken to prevent noise from entering the input signal.

LC74795, 74795M

Electrical Characteristics at $T_a = -30$ to $+70^\circ\text{C}$, $V_{DD1} = 5\text{ V}$ unless otherwise specified.

Parameter	Symbol	Conditions	Ratings			Unit
			min	typ	max	
Input off leakage current	I_{leak1}	CV_{IN} , CV_{CR}			1	μA
Output off leakage current	I_{leak2}	CV_{OUT}			1	μA
Output high-level voltage	V_{OH}	\overline{DAV} , SEP_{OUT} , CP_{OUT} , and $SYNC_{JDG}$; $V_{DD1} = 4.5\text{ V}$, $I_{OH} = -1.0\text{ mA}$	3.5			V
Output low-level voltage	V_{OL1}	\overline{DAV} , SEP_{OUT} , CP_{OUT} , and $SYNC_{JDG}$; $V_{DD1} = 4.5\text{ V}$, $I_{OL} = 1.0\text{ mA}$			1.0	V
	V_{OL2}	SDA; $V_{DD1} = 5.0\text{ V}$, $I_{OL} = 3.0\text{ mA}$			0.4	V
Three-value output voltage	V_O	CHABLK; $V_{DD1} = 5.0\text{ V}$ H	3.3		5.0	V
		M	1.8		2.3	V
		L	0		0.8	V
Input current	I_{IH}	RST , $CS1$, SIN , $SCLK1$, SDA , SCL , $CTRL1$, $MUTE$, SEP_{IN} , and VCO_{IN} ; $V_{IN} = V_{DD1}$			1	μA
	I_{IL}	SDA, SCL , $CTRL1$, SEP_{IN} , and VCO_{IN} ; $V_{IN} = V_{SS}$	-1			μA
Operating mode current drain	I_{DD1}	V_{DD1} ; All outputs open, $Xtal: 17.734\text{ MHz}$, $VCO: 27\text{ MHz}$			40	mA
	I_{DD2}	$V_{DD2}: V_{DD2} = 5\text{ V}$			20	mA
SYNC level	V_{SN}	CV_{OUT} ; $V_{DD1} = 5.0\text{ V}$, $V_{DD2} = 5.0\text{ V}$	*1	0.80		V
			*2	1.00		V
			*3	1.30		V
Pedestal level	V_{PD}	CV_{OUT} ; $V_{DD1} = 5.0\text{ V}$, $V_{DD2} = 5.0\text{ V}$	*1	1.37		V
			*2	1.57		V
			*3	1.87		V
Color burst low level	V_{CBL}	CV_{OUT} ; $V_{DD1} = 5.0\text{ V}$, $V_{DD2} = 5.0\text{ V}$	*1	1.07		V
			*2	1.27		V
			*3	1.57		V
Color burst high level	V_{CBH}	CV_{OUT} ; $V_{DD1} = 5.0\text{ V}$, $V_{DD2} = 5.0\text{ V}$	*1	1.67		V
			*2	1.87		V
			*3	2.17		V
Background color low level	V_{RSL}	CV_{OUT} ; $V_{DD1} = 5.0\text{ V}$, $V_{DD2} = 5.0\text{ V}$	*1	1.23 (1.16)		V
			*2	1.43 (1.36)		V
			*3	1.73 (1.66)		V
Background color high level	V_{RSH}	CV_{OUT} ; $V_{DD1} = 5.0\text{ V}$, $V_{DD2} = 5.0\text{ V}$	*1	2.37 (2.01)		V
			*2	2.57 (2.21)		V
			*3	2.87 (2.51)		V
Frame level 0	V_{BK0}	CV_{OUT} ; $V_{DD1} = 5.0\text{ V}$, $V_{DD2} = 5.0\text{ V}$	*1	1.50		V
			*2	1.70		V
			*3	2.00		V
Frame level 1	V_{BK1}	CV_{OUT} ; $V_{DD1} = 5.0\text{ V}$, $V_{DD2} = 5.0\text{ V}$	*1	2.08		V
			*2	2.28		V
			*3	2.58		V
Character level	V_{CHA}	CV_{OUT} ; $V_{DD1} = 5.0\text{ V}$, $V_{DD2} = 5.0\text{ V}$	*1	2.65		V
			*2	2.85		V
			*3	3.15		V

Notes: 1. When the sync level is 0.8 V

2. When the sync level is 1.0 V

3. When the sync level is 1.3 V

The values in parentheses for the background high and low levels apply when the background color is blue.

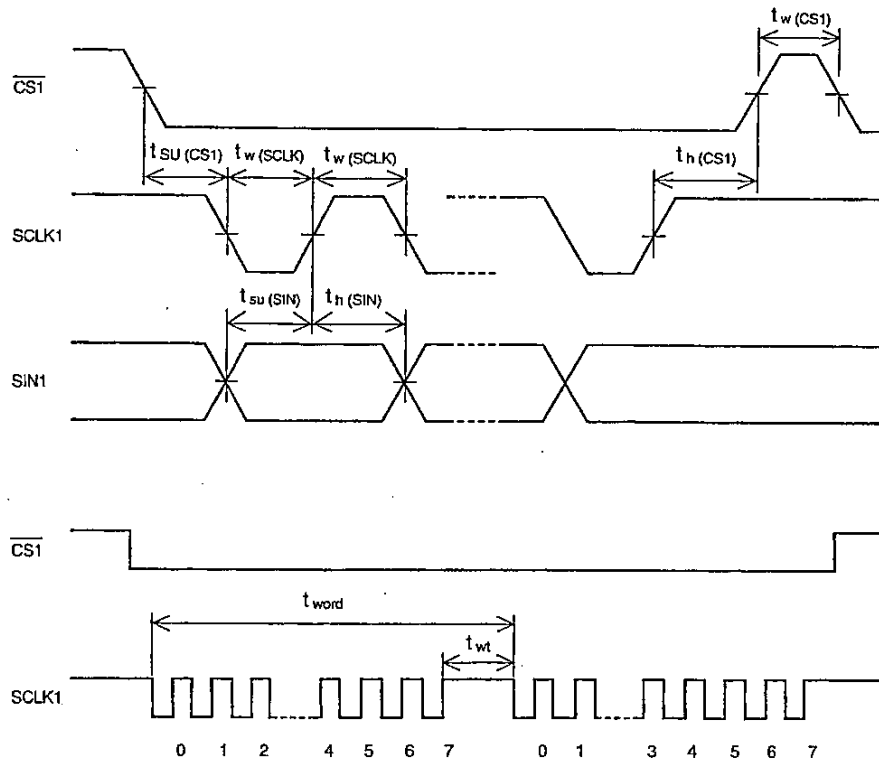
LC74795, 74795M

Timing Characteristics at $T_a = -30$ to $+70^\circ\text{C}$, $V_{DD1} = 5 \pm 0.5\text{ V}$
OSD Write (See Figure 1.)

Parameter	Symbol	Conditions	Ratings			Unit
			min	typ	max	
Minimum input pulse width	$t_{W(SCLK)}$	SCLK1	200			ns
	$t_{W(CS1)}$	CS1 (The period when CS1 is high)	1			μs
Data setup time	$t_{SU(CS1)}$	CS1	200			ns
	$t_{SU(SIN)}$	SIN1	200			ns
Data hold time	$t_H(CS1)$	CS1	2			μs
	$t_H(SIN)$	SIN1	200			ns
One word write time	t_{word}	The time to write 8 bits of data	4.2			μs
	t_{Wt}	The RAM data write time	1			μs

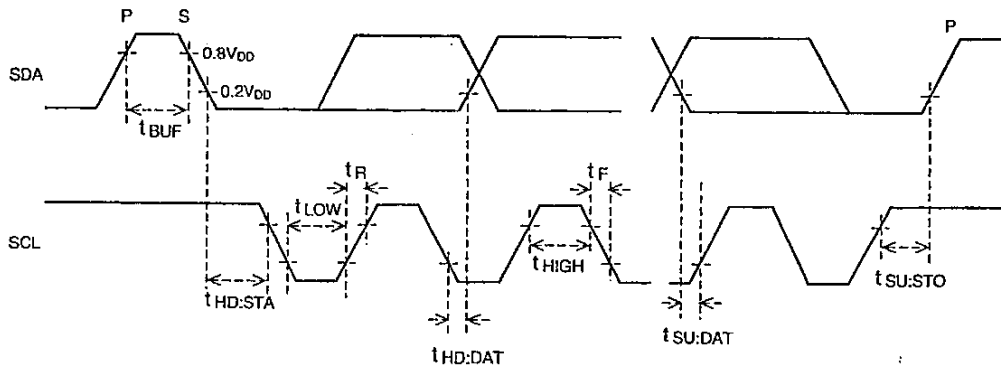
PDC/VPS Write and Read (I²C timing)

Parameter	Symbol	Conditions	Ratings			Unit
			min	typ	max	
SCL frequency	f_{SCL}				100	kHz
Bus release time	t_{BUF}		4.7			μs
Start/hold	$t_{HD: STA}$		4.0			μs
SCL low period	t_{LOW}		4.7			μs
SCL high period	t_{HIGH}		4.0			μs
Data hold	$t_{HD: DAT}$		0			μs
Data setup	$t_{SU: DAT}$		250			ns
Rise time	t_R				1000	ns
Fall time	t_F				300	ns
Stop setup	$t_{SU: STO}$		40			μs



A06354

Figure 1 OSD Serial Data Input Timing

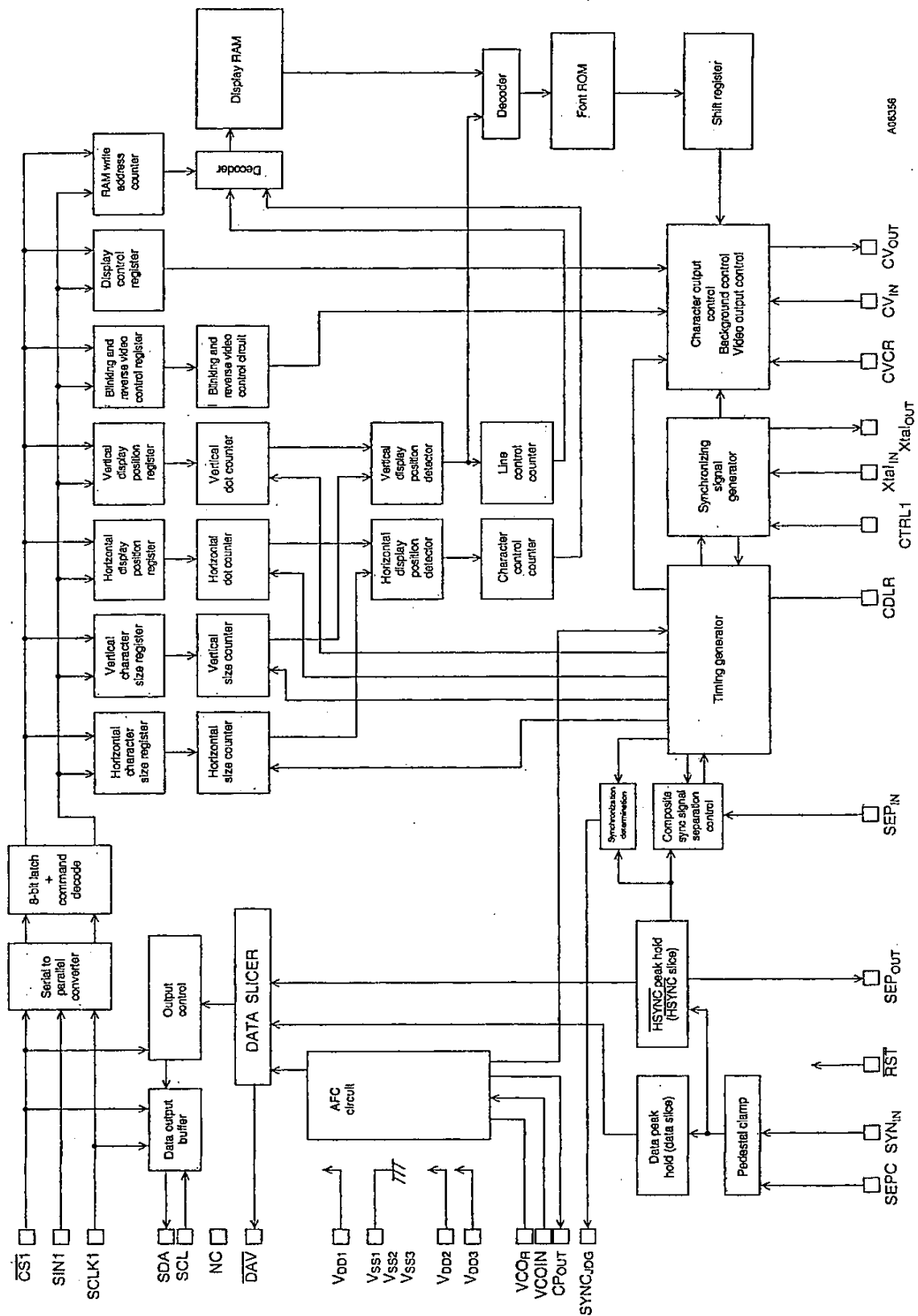


S: Start condition
P: Stop condition

A06355

Figure 2 PDC/VPS Serial Timing (I²C bus)

System Block Diagram



A05356

CTRL1
XtalIN, XtalOUT

SEP, IN

SEP, OUT

RST

SYNC, IN

SEP, IN

Display Control Commands

Display control commands have an 8-bit format and are transferred using the serial input function. Commands consist of a command identification code in the first byte and command data in the following bytes. The following commands are supported.

- 1 COMMAND0: Display memory (VRAM) write address setup command
- 2 COMMAND1: Display character data write command
- 3 COMMAND2: Vertical display start position and vertical character size setup command
- 4 COMMAND3: Horizontal display start position and horizontal character size setup command
- 5 COMMAND4: Display control setup command
- 6 COMMAND5: Display control setup command
- 7 COMMAND6: Synchronizing signal detection setup command
- 8 COMMAND7 to 12: Display control setup command
- 9 COMMAND13 to 17: VPS/PDC commands [Only via I²C writes]

Display Control Command Table

Command	First byte								Second byte							
	Command identification code				Data				Data							
	7	6	5	4	3	2	1	0	7	6	5	4	3	2	1	0
COMMAND0 Write address setup	1	0	0	0	V3	V2	V1	V0	0	0	0	H4	H3	H2	H1	H0
COMMAND1 Character write	1	0	0	1	0	0	0	0	at	c6	c5	c4	c3	c2	c1	c0
COMMAND2 Vertical character size and vertical display start position	1	0	1	0	VS	VS	VS	VS	0	FS	VP	VP	VP	VP	VP	VP
					21	20	11	10			5	4	3	2	1	0
COMMAND3 Horizontal character size and horizontal display start position	1	0	1	1	HS	HS	HS	HS	0		HP	HP	HP	HP	HP	HP
					21	20	11	10			5	4	3	2	1	0
COMMAND4 Display control	1	1	0	0	TST	RAM	OSC	SYS	0	BLK	BLK	BLK	BK	BK	RV	DSP
					MOD	ERS	STP	RST		2	1	0	1	0		ON
COMMAND5 Display control	1	1	0	1	NP1	NP0	NON	INT	0	0	HLF	BCL	CB	PH	PH	PH
											INT			2	1	0
COMMAND6 Synchronizing signal detection	1	1	1	0	SEL	MOD	DIS	MUT	0	RN	RN	RN	SN	SN	SN	SN
					0	0	LIN			2	1	0	3	2	1	0
COMMAND7 Display control	1	1	1	1	0	0	0	0	0	CIN	CIN	VNP	VSP	MSK	MSK	EGL
										SEL	CTL	SEL	SEL	ERS	SEL	
COMMAND8 Display control	1	1	1	1	0	0	0	1	0	LNA	LNA	LNA	LNA	LPA	LPA	LPA
										3	2	1	0	2	1	0
COMMAND9 Display control	1	1	1	1	0	0	1	0	0	LNB	LNB	LNB	LNB	LPB	LPB	LPB
										3	2	1	0	2	1	0
COMMAND10 Display control	1	1	1	1	0	0	1	1	0	LNC	LNC	LNC	LNC	LPC	LPC	LPC
										3	2	1	0	2	1	0
COMMAND11 Display control	1	1	1	1	0	1	0	0	0	0	0	0	LNC	MOD	LNB	MOD
													SEL	3	SEL	2
COMMAND12 Display control	1	1	1	1	0	1	0	1	0	0	0	0	0	SEL	SEL	CTL
														2	1	3
COMMAND13 (VPS/PDC control)	1	1	1	1	0	1	0	1	0	CPA	CPA	0	VPM	VPM	VPM	VPM
										1	0		3	2	1	0
COMMAND14 (VPS/PDC control)	1	1	1	1	0	1	1	0	0	0	0	HBS	HBS	BMS	EMS	DCE
												2	1			
COMMAND15 (VPS/PDC control)	1	1	1	1	0	1	1	1	0	0	ECV	ECV	ECV	ECV	ECV	ECV
											15	14	13	12	11	5
COMMAND16 (VPS/PDC control)	1	1	1	1	1	0	0	0	0	ECP	ECP	ECP	ECP	ECP	ECP	ECP
										19	18	17	16	15	14	13
COMMAND17 (VPS/PDC control)	1	1	1	1	1	0	0	1	0	0	ECP	ECP	ECP	ECP	ECP	ECP
											25	24	23	22	21	20

LC74795, 74795M

Once written, the command identification code in the first byte is stored until the next first byte is written. However, when the display character data write command (COMMAND1) is written, the LC74795/M locks into the display character data write mode, and another first byte cannot be written.

When the $\overline{\text{CS1}}$ pin is set high, the LC74795/M is set to the COMMAND0 (display memory write address setup mode) state.

COMMAND0 (Display memory write address setup command)

First byte

DA 0 to 7	Register	Contents		Notes
		State	Function	
7	—	1	Command 0 Identification code Sets the display memory write address.	
6	—	0		
5	—	0	Display memory line address (0 to B hexadecimal)	
4	—	0		
3	V3	0		
		1		
2	V2	0		
		1		
1	V1	0		
		1		
0	V0	0		
		1		

Second byte

DA 0 to 7	Register	Contents		Notes
		State	Function	
7	—	0	Second byte identification code	
6	—	0		
5	—	0		
4	H4	0	Display memory column address (0 to 17 hexadecimal)	
		1		
3	H3	0		
		1		
2	H2	0		
		1		
1	H1	0		
		1		
0	H0	0		
		1		

Note: All registers are set to 0 when the LC74795/M is reset by the $\overline{\text{RST}}$ pin.

COMMAND1 (Display character data write setup command)

First byte

DA 0 to 7	Register	Contents		Notes
		State	Function	
7	—	1	Command 1 Identification code Sets up display character data write mode.	When this command is input, the LC74795/M locks in the display character data write mode until the $\overline{\text{CS1}}$ pin goes high.
6	—	0		
5	—	0		
4	—	1		
3	—	0		
2	—	0		
1	—	0		
0	—	0		

LC74795, 74795M

Second byte

DA 0 to 7	Register	Contents		Notes
		State	Function	
7	at	0	Character attribute off	
		1	Character attribute on	
6	c6	0	Character code (00 to 7F hexadecimal)	
		1		
5	c5	0		
		1		
4	c4	0		
		1		
3	c3	0		
		1		
2	c2	0		
		1		
1	c1	0		
		1		
0	c0	0		
		1		

Note: All registers are set to 0 when the LC74795/M is reset by the $\overline{\text{RST}}$ pin.

COMMAND2 (Vertical display start position and vertical character size setup command)

First byte

DA 0 to 7	Register	Contents		Notes									
		State	Function										
7	—	1	Command 2 identification code Sets the vertical display start position and the vertical character size.										
6	—	0											
5	—	1											
4	—	0											
3	VS21	0	<table border="1"> <tr> <td>VS21 \ VS20</td> <td>0</td> <td>1</td> </tr> <tr> <td>0</td> <td>1H/dot</td> <td>2H/dot</td> </tr> <tr> <td>1</td> <td>3H/dot</td> <td>1H/dot</td> </tr> </table>	VS21 \ VS20	0	1	0	1H/dot	2H/dot	1	3H/dot	1H/dot	Second line vertical character size
		VS21 \ VS20		0	1								
0	1H/dot	2H/dot											
1	3H/dot	1H/dot											
1													
2	VS20	0											
		1											
1	VS11	0		<table border="1"> <tr> <td>VS11 \ VS10</td> <td>0</td> <td>1</td> </tr> <tr> <td>0</td> <td>1H/dot</td> <td>2H/dot</td> </tr> <tr> <td>1</td> <td>3H/dot</td> <td>1H/dot</td> </tr> </table>	VS11 \ VS10	0	1	0	1H/dot	2H/dot	1	3H/dot	1H/dot
		VS11 \ VS10	0		1								
0	1H/dot	2H/dot											
1	3H/dot	1H/dot											
1													
0	VS10	0											
		1											

Second byte

DA 0 to 7	Register	Contents		Notes
		State	Function	
7	—	0	Second byte identification bit	The vertical display start position is set by the 6 bits VP0 to VP5. The weight of bit 1 is 2H.
6	FS	0	Crystal oscillator frequency: 2fsc	
		1	Crystal oscillator frequency: 4fsc	
5	VP5 (MSB)	0	If VS is the vertical display start position then: $VS = H \times (2 \sum_{n=0}^5 2^n VP_n)$ H: the horizontal synchronization pulse period	
		1		
4	VP4	0		
		1		
3	VP3	0		
		1		
2	VP2	0		
		1		
1	VP1	0		
		1		
0	VP0 (LSB)	0		
		1		

Note: All registers are set to 0 when the LC74795/M is reset by the $\overline{\text{RST}}$ pin.

LC74795, 74795M

COMMAND3 (Horizontal display start position and horizontal size setup command)

First byte

DA 0 to 7	Register	Contents			Notes										
		State	Function												
7	—	1			Command 3 identification code Sets the horizontal display start position and the horizontal character size.										
6	—	0													
5	—	1													
4	—	1													
3	HS21	0	<table border="1"> <tr> <td>HS21 \ HS20</td> <td>0</td> <td>1</td> </tr> <tr> <td>0</td> <td>1Tc/dot</td> <td>2Tc/dot</td> </tr> <tr> <td>1</td> <td>3Tc/dot</td> <td>1Tc/dot</td> </tr> </table>		HS21 \ HS20	0	1	0	1Tc/dot	2Tc/dot	1	3Tc/dot	1Tc/dot	Second line horizontal character size	
		HS21 \ HS20			0	1									
0	1Tc/dot	2Tc/dot													
1	3Tc/dot	1Tc/dot													
1															
2	HS20	0													
		1													
1	HS11	0	<table border="1"> <tr> <td>HS11 \ HS10</td> <td>0</td> <td>1</td> </tr> <tr> <td>0</td> <td>1Tc/dot</td> <td>2Tc/dot</td> </tr> <tr> <td>1</td> <td>3Tc/dot</td> <td>1Tc/dot</td> </tr> </table>		HS11 \ HS10	0	1	0	1Tc/dot	2Tc/dot	1	3Tc/dot	1Tc/dot	First line horizontal character size	
		HS11 \ HS10			0	1									
0	1Tc/dot	2Tc/dot													
1	3Tc/dot	1Tc/dot													
1															
0	HS10	0													
		1													

Second byte

DA 0 to 7	Register	Contents			Notes
		State	Function		
7	—	0	Second byte identification bit		
6	LC	0			
5	HP5 (MSB)	0	If HS is the horizontal start position then: $HS = Tc \times (2 \sum_{n=0}^5 HP_n)$		The horizontal display start position is set by the 6 bits HP0 to HP5. The weight of bit 1 is 2Tc.
		1			
4	HP4	0	Tc: Period of the oscillator in operating mode.		
		1			
3	HP3	0			
		1			
2	HP2	0			
		1			
1	HP1	0			
		1			
0	HP0 (LSB)	0			
		1			

Note: All registers are set to 0 when the LC74795/M is reset by the RST pin.

LC74795, 74795M

COMMAND4 (Display control setup command)

First byte

DA 0 to 7	Register	Contents		Notes
		State	Function	
7	—	1		
6	—	1	Command 4 identification code	
5	—	0	Display control setup	
4	—	0		
3	TSTMOD	0	Normal operating mode	This bit must be set to 0.
		1	Test mode	
2	RAMERS	0		Erasing RAM takes about 500 μs. (This operation must be executed in the DSPOFF state.)
		1	Erase display RAM. (Set the RAM data to 7F hexadecimal.)	
1	OSCSTP	0	Do not stop the crystal and VCO oscillators.	Valid in external synchronization mode when character display is off. Note that VPS/PDC data cannot be detected in this mode.
		1	Stop the crystal and VCO oscillators.	
0	SYSRST	0		The registers are reset when the CS1 pin is low, and the reset state is cleared when CS1 is set high.
		1	Reset all registers and turn display off.	

Second byte

DA 0 to 7	Register	Contents		Notes									
		State	Function										
7	—	0	Second byte identification bit										
6	BLK2	0	Character display area	Specifies the size for complete fill-in									
		1	Video display area										
5	BLK1	0	<table border="1" style="display: inline-table; vertical-align: middle;"> <tr> <td>BLK1 \ BLK0</td> <td>0</td> <td>1</td> </tr> <tr> <td>0</td> <td>Blanking off</td> <td>Character size</td> </tr> <tr> <td>1</td> <td>Border size</td> <td>Complete fill in</td> </tr> </table>	BLK1 \ BLK0	0	1	0	Blanking off	Character size	1	Border size	Complete fill in	Changes the blanking size
		BLK1 \ BLK0		0	1								
0	Blanking off	Character size											
1	Border size	Complete fill in											
1													
4	BLK0	0											
		1											
3	BK1	0	Blinking period: About 0.5 s	Switches the blinking period									
		1	Blinking period: About 1.0 s										
2	BK0	0	Blinking off	Blinking in reverse video mode switches the display between normal character display and reverse video display.									
		1	Blinking on										
1	RV	0	Reverse video off										
		1	Reverse video on										
0	DSPON	0	Character display off										
		1	Character display on										

Note: All registers are set to 0 when the LC74795/M is reset by the RST pin.

LC74795, 74795M

COMMAND5 (Display control setup command)

First byte

DA 0 to 7	Register	Contents		Notes												
		State	Function													
7	---	1														
6	---	1	Command 5 Identification code Display control setup													
5	---	0														
4	---	1														
3	NP1	0														
		1														
2	NP0	0	<table border="1"> <tr> <td></td> <td>NP0</td> <td>0</td> <td>1</td> </tr> <tr> <td>0</td> <td></td> <td>NTSC (525)</td> <td>NTSC (625)</td> </tr> <tr> <td>1</td> <td></td> <td>PAL (525)</td> <td>PAL (625)</td> </tr> </table>		NP0	0	1	0		NTSC (525)	NTSC (625)	1		PAL (525)	PAL (625)	Switches between NTSC and PAL modes. () external input V
		NP0		0	1											
0		NTSC (525)		NTSC (625)												
1		PAL (525)		PAL (625)												
	1															
1	NON	0	Interlaced	Switches between Interlaced and noninterlaced video.												
		1	Noninterlaced													
0	INT	0	External synchronization	Switches between external and internal synchronization												
		1	Internal synchronization													

Second byte

DA 0 to 7	Register	Contents		Notes																																				
		State	Function																																					
7	---	0	Second byte identification bit																																					
6	---	0																																						
5	HLFINT	0	Normal mode																																					
		1	Half internal synchronization mode																																					
4	BCL	0	Background coloring on	Only valid in internal synchronization mode																																				
		1	No background coloring (Only the background level is set)																																					
3	CB	0	Color burst signal output	Only valid when BCL is high.																																				
		1	Color burst signal output stopped																																					
2	PH2	0	<table border="1"> <thead> <tr> <th>PH2</th> <th>PH1</th> <th>PH0</th> <th>Background color (phase)</th> </tr> </thead> <tbody> <tr> <td>0</td> <td>0</td> <td>0</td> <td>Cyan *</td> </tr> <tr> <td>0</td> <td>0</td> <td>1</td> <td>Yellow *</td> </tr> <tr> <td>0</td> <td>1</td> <td>0</td> <td>Red *</td> </tr> <tr> <td>0</td> <td>1</td> <td>1</td> <td>Blue *</td> </tr> <tr> <td>1</td> <td>0</td> <td>0</td> <td>Cyan - blue</td> </tr> <tr> <td>1</td> <td>0</td> <td>1</td> <td>Green *</td> </tr> <tr> <td>1</td> <td>1</td> <td>0</td> <td>Orange</td> </tr> <tr> <td>1</td> <td>1</td> <td>1</td> <td>Magenta *</td> </tr> </tbody> </table>	PH2	PH1	PH0	Background color (phase)	0	0	0	Cyan *	0	0	1	Yellow *	0	1	0	Red *	0	1	1	Blue *	1	0	0	Cyan - blue	1	0	1	Green *	1	1	0	Orange	1	1	1	Magenta *	Background color specification
PH2		PH1		PH0	Background color (phase)																																			
0	0	0		Cyan *																																				
0	0	1		Yellow *																																				
0	1	0		Red *																																				
0	1	1		Blue *																																				
1	0	0		Cyan - blue																																				
1	0	1		Green *																																				
1	1	0		Orange																																				
1	1	1		Magenta *																																				
	1																																							
1	PH1	0																																						
		1																																						
0	PH0	0																																						
		1																																						

*: When 2 fsc is used.

Note: All registers are set to 0 when the LC74795/M is reset by the RST pin.

LC74795, 74795M

COMMAND6 (Synchronizing signal detection setup command)

First byte

DA 0 to 7	Register	Contents		Notes
		State	Function	
7	—	1	Command 6 identification code Sets up synchronizing signal control.	
6	—	1		
5	—	1		
4	—	0		
3	SELO	0	Sync separator signal	Switches the SEPOUT (pin 26) output.
		1	Output signal set by MOD0	
2	MOD0	0	High-level output	Only valid when SELO is high.
		1	ST pulse signal	
1	DISLIN	0	12 lines	Switches the number of lines displayed.
		1	10 lines	
0	MUT	0	Normal output	CVOUT switching
		1	CVIN is cut and CVOUT is held at the pedestal level.	

Second byte

DA 0 to 7	Register	Contents		Notes																														
		State	Function																															
7	—	0	Second byte identification bit																															
6	RN2	0	<table border="1"> <thead> <tr> <th>RN2</th> <th>RN1</th> <th>RN0</th> <th>Number of times HSYNC detected</th> </tr> </thead> <tbody> <tr> <td>0</td> <td>0</td> <td>0</td> <td>0 times</td> </tr> <tr> <td>0</td> <td>0</td> <td>1</td> <td>4 times</td> </tr> <tr> <td>0</td> <td>1</td> <td>0</td> <td>8 times</td> </tr> <tr> <td>1</td> <td>0</td> <td>0</td> <td>16 times</td> </tr> </tbody> </table>	RN2	RN1	RN0	Number of times HSYNC detected	0	0	0	0 times	0	0	1	4 times	0	1	0	8 times	1	0	0	16 times	External synchronizing signal detection control Signal absent → signal present transition detection Sets the sampling period in which SYNC can be detected continuously in the horizontal synchronizing signal period (1H).										
		RN2		RN1	RN0	Number of times HSYNC detected																												
0	0	0		0 times																														
0	0	1		4 times																														
0	1	0		8 times																														
1	0	0		16 times																														
1																																		
5	RN1	0																																
		1																																
4	RN0	0																																
		1																																
3	SN3	0	<table border="1"> <thead> <tr> <th>SN3</th> <th>SN2</th> <th>SN1</th> <th>SN0</th> <th>Number of times HSYNC detected</th> </tr> </thead> <tbody> <tr> <td>0</td> <td>0</td> <td>0</td> <td>0</td> <td>Not detected</td> </tr> <tr> <td>0</td> <td>0</td> <td>0</td> <td>1</td> <td>32 times</td> </tr> <tr> <td>0</td> <td>0</td> <td>1</td> <td>0</td> <td>64 times</td> </tr> <tr> <td>0</td> <td>1</td> <td>0</td> <td>0</td> <td>128 times</td> </tr> <tr> <td>1</td> <td>0</td> <td>0</td> <td>0</td> <td>256 times</td> </tr> </tbody> </table>	SN3	SN2	SN1	SN0	Number of times HSYNC detected	0	0	0	0	Not detected	0	0	0	1	32 times	0	0	1	0	64 times	0	1	0	0	128 times	1	0	0	0	256 times	External synchronizing signal detection control Signal present → signal absent transition detection Sets the sampling period in which SYNC cannot be detected continuously in the horizontal synchronizing signal period (1H).
		SN3		SN2	SN1	SN0	Number of times HSYNC detected																											
0	0	0		0	Not detected																													
0	0	0		1	32 times																													
0	0	1		0	64 times																													
0	1	0		0	128 times																													
1	0	0		0	256 times																													
1																																		
2	SN2	0																																
		1																																
1	SN1	0																																
		1																																
0	SN0	0																																
		1																																

Note: All registers are set to 0 when the LC74795/M is reset by the \overline{RST} pin.

COMMAND7 (Display control setup command)

First byte

DA 0 to 7	Register	Contents		Notes
		State	Function	
7	—	1	Command 7 identification code Display control setup	
6	—	1		
5	—	1		
4	—	1		
3	—	0	Extended 0 identification code	
2	—	0		
1	—	0		
0	—	0		

Second byte

DA 0 to 7	Register	Contents		Notes
		State	Function	
7	—	0	Second byte identification bit	
6	CINSEL	0	Blank area (the logical OR of the character and frame signals)	CV _{CR} on signal switching
		1	Video signal display area	
5	CINCTL	0	CV _{CR} : Off	Turns CV _{CR} on or off.
		1	CV _{CR} : On	
4	VNSEL	0	V falling edge detection	Switches the V acquisition polarity in external mode when internal V separation is used.
		1	V rising edge detection	
3	VSPSEL	0	VSEP: about 8.9 μ s (NTSC)	Switches the internal V separation period.
		1	VSEP: about 17.8 μ s (NTSC)	
2	MSKERS	0	Mask valid	Clears the HSYNC and VSYNC masks.
		1	Mask invalid	
1	MSKSEL	0	3H (NTSC)	Switches the VSYNC mask.
		1	20H (NTSC)	
0	EGL	0	Border level 0 only (VBK0)	Switches the border level. (Only valid when BLK0 is 0 and BLK1 is 1.)
		1	Two-stage border level (VBK0 and VBK1)	

Note: All registers are set to 0 when the LC74795M is reset by the $\overline{\text{RST}}$ pin.

LC74795, 74795M

COMMAND8 (Display control setup command)

First byte

DA 0 to 7	Register	Contents		Notes
		State	Function	
7	—	1	Command 7 Identification code Display control setup	
6	—	1		
5	—	1		
4	—	1		
3	—	1	Extended 1 Identification code	
2	—	0		
1	—	0		
0	—	1		

Second byte

DA 0 to 7	Register	Contents		Notes																																																																						
		State	Function																																																																							
7	—	0	Second byte identification bit																																																																							
6	LNA3	0	<table border="1"> <thead> <tr> <th>LNA3</th> <th>LNA2</th> <th>LNA1</th> <th>LNA0</th> <th>Specified line</th> </tr> </thead> <tbody> <tr> <td>0</td> <td>0</td> <td>0</td> <td>0</td> <td>Do not change the line background</td> </tr> <tr> <td>0</td> <td>0</td> <td>0</td> <td>1</td> <td>Line 1</td> </tr> <tr> <td>0</td> <td>0</td> <td>1</td> <td>0</td> <td>Line 2</td> </tr> <tr> <td>0</td> <td>0</td> <td>1</td> <td>1</td> <td>Line 3</td> </tr> <tr> <td>0</td> <td>1</td> <td>0</td> <td>0</td> <td>Line 4</td> </tr> <tr> <td>0</td> <td>1</td> <td>0</td> <td>1</td> <td>Line 5</td> </tr> <tr> <td>0</td> <td>1</td> <td>1</td> <td>0</td> <td>Line 6</td> </tr> <tr> <td>0</td> <td>1</td> <td>1</td> <td>1</td> <td>Line 7</td> </tr> <tr> <td>1</td> <td>0</td> <td>0</td> <td>0</td> <td>Line 8</td> </tr> <tr> <td>1</td> <td>0</td> <td>0</td> <td>1</td> <td>Line 9</td> </tr> <tr> <td>1</td> <td>0</td> <td>1</td> <td>0</td> <td>Line 10</td> </tr> <tr> <td>1</td> <td>0</td> <td>1</td> <td>1</td> <td>Line 11</td> </tr> <tr> <td>1</td> <td>1</td> <td>—</td> <td>—</td> <td>Line 12</td> </tr> </tbody> </table>	LNA3	LNA2	LNA1	LNA0	Specified line	0	0	0	0	Do not change the line background	0	0	0	1	Line 1	0	0	1	0	Line 2	0	0	1	1	Line 3	0	1	0	0	Line 4	0	1	0	1	Line 5	0	1	1	0	Line 6	0	1	1	1	Line 7	1	0	0	0	Line 8	1	0	0	1	Line 9	1	0	1	0	Line 10	1	0	1	1	Line 11	1	1	—	—	Line 12	Specifies the line whose background is to be changed (Specification of LNA*, LNB*, and LNC* on the same line is not allowed.)
		LNA3		LNA2	LNA1	LNA0	Specified line																																																																			
0	0	0		0	Do not change the line background																																																																					
0	0	0		1	Line 1																																																																					
0	0	1		0	Line 2																																																																					
0	0	1		1	Line 3																																																																					
0	1	0		0	Line 4																																																																					
0	1	0		1	Line 5																																																																					
0	1	1		0	Line 6																																																																					
0	1	1		1	Line 7																																																																					
1	0	0		0	Line 8																																																																					
1	0	0		1	Line 9																																																																					
1	0	1	0	Line 10																																																																						
1	0	1	1	Line 11																																																																						
1	1	—	—	Line 12																																																																						
1	1																																																																									
5	LNA2	0																																																																								
		1																																																																								
4	LNA1	0																																																																								
		1																																																																								
3	LNA0	0																																																																								
		1																																																																								
2	LPA2	0	<table border="1"> <thead> <tr> <th>LPA2</th> <th>LPA1</th> <th>LPA0</th> <th>Background color (phase)</th> </tr> </thead> <tbody> <tr> <td>0</td> <td>0</td> <td>0</td> <td>Cyan *</td> </tr> <tr> <td>0</td> <td>0</td> <td>1</td> <td>Yellow *</td> </tr> <tr> <td>0</td> <td>1</td> <td>0</td> <td>Red *</td> </tr> <tr> <td>0</td> <td>1</td> <td>1</td> <td>Blue *</td> </tr> <tr> <td>1</td> <td>0</td> <td>0</td> <td>Cyan - blue</td> </tr> <tr> <td>1</td> <td>0</td> <td>1</td> <td>Green *</td> </tr> <tr> <td>1</td> <td>1</td> <td>0</td> <td>Orange</td> </tr> <tr> <td>1</td> <td>1</td> <td>1</td> <td>Magenta *</td> </tr> </tbody> </table>	LPA2	LPA1	LPA0	Background color (phase)	0	0	0	Cyan *	0	0	1	Yellow *	0	1	0	Red *	0	1	1	Blue *	1	0	0	Cyan - blue	1	0	1	Green *	1	1	0	Orange	1	1	1	Magenta *	Specifies the background color.																																		
		LPA2		LPA1	LPA0	Background color (phase)																																																																				
0	0	0		Cyan *																																																																						
0	0	1		Yellow *																																																																						
0	1	0		Red *																																																																						
0	1	1		Blue *																																																																						
1	0	0		Cyan - blue																																																																						
1	0	1		Green *																																																																						
1	1	0		Orange																																																																						
1	1	1		Magenta *																																																																						
1	1																																																																									
1	LPA1	0																																																																								
		1																																																																								
0	LPA0	0																																																																								
		1																																																																								

Note: All registers are set to 0 when the LC74795/M is reset by the RST pin.

LC74795, 74795M

COMMAND9 (Display control setup command)

First byte

DA 0 to 7	Register	Contents		Notes
		State	Function	
7	—	1	Command 7 identification code Display control setup	
6	—	1		
5	—	1		
4	—	1		
3	—	0	Extended 2 identification code	
2	—	0		
1	—	1		
0	—	0		

Second byte

DA 0 to 7	Register	Contents		Notes																																																																						
		State	Function																																																																							
7	—	0	Second byte identification bit																																																																							
6	LNB3	0	<table border="1"> <thead> <tr> <th>LNB3</th> <th>LNB2</th> <th>LNB1</th> <th>LNB0</th> <th>Specified line</th> </tr> </thead> <tbody> <tr> <td>0</td> <td>0</td> <td>0</td> <td>0</td> <td>Do not change the line background</td> </tr> <tr> <td>0</td> <td>0</td> <td>0</td> <td>1</td> <td>Line 1</td> </tr> <tr> <td>0</td> <td>0</td> <td>1</td> <td>0</td> <td>Line 2</td> </tr> <tr> <td>0</td> <td>0</td> <td>1</td> <td>1</td> <td>Line 3</td> </tr> <tr> <td>0</td> <td>1</td> <td>0</td> <td>0</td> <td>Line 4</td> </tr> <tr> <td>0</td> <td>1</td> <td>0</td> <td>1</td> <td>Line 5</td> </tr> <tr> <td>0</td> <td>1</td> <td>1</td> <td>0</td> <td>Line 6</td> </tr> <tr> <td>0</td> <td>1</td> <td>1</td> <td>1</td> <td>Line 7</td> </tr> <tr> <td>1</td> <td>0</td> <td>0</td> <td>0</td> <td>Line 8</td> </tr> <tr> <td>1</td> <td>0</td> <td>0</td> <td>1</td> <td>Line 9</td> </tr> <tr> <td>1</td> <td>0</td> <td>1</td> <td>0</td> <td>Line 10</td> </tr> <tr> <td>1</td> <td>0</td> <td>1</td> <td>1</td> <td>Line 11</td> </tr> <tr> <td>1</td> <td>1</td> <td>—</td> <td>—</td> <td>Line 12</td> </tr> </tbody> </table>	LNB3	LNB2	LNB1	LNB0	Specified line	0	0	0	0	Do not change the line background	0	0	0	1	Line 1	0	0	1	0	Line 2	0	0	1	1	Line 3	0	1	0	0	Line 4	0	1	0	1	Line 5	0	1	1	0	Line 6	0	1	1	1	Line 7	1	0	0	0	Line 8	1	0	0	1	Line 9	1	0	1	0	Line 10	1	0	1	1	Line 11	1	1	—	—	Line 12	Specifies the line whose background is to be changed (Specification of LNA*, LNB*, and LNC* on the same line is not allowed.)
		LNB3		LNB2	LNB1	LNB0	Specified line																																																																			
0	0	0		0	Do not change the line background																																																																					
0	0	0		1	Line 1																																																																					
0	0	1		0	Line 2																																																																					
0	0	1		1	Line 3																																																																					
0	1	0		0	Line 4																																																																					
0	1	0		1	Line 5																																																																					
0	1	1		0	Line 6																																																																					
0	1	1		1	Line 7																																																																					
1	0	0		0	Line 8																																																																					
1	0	0		1	Line 9																																																																					
1	0	1	0	Line 10																																																																						
1	0	1	1	Line 11																																																																						
1	1	—	—	Line 12																																																																						
5	LNB2	0																																																																								
		1																																																																								
4	LNB1	0																																																																								
		1																																																																								
3	LNB0	0																																																																								
		1																																																																								
2	LPB2	0	<table border="1"> <thead> <tr> <th>LPB2</th> <th>LPB1</th> <th>LPB0</th> <th>Background color (phase)</th> </tr> </thead> <tbody> <tr> <td>0</td> <td>0</td> <td>0</td> <td>Cyan *</td> </tr> <tr> <td>0</td> <td>0</td> <td>1</td> <td>Yellow *</td> </tr> <tr> <td>0</td> <td>1</td> <td>0</td> <td>Red *</td> </tr> <tr> <td>0</td> <td>1</td> <td>1</td> <td>Blue *</td> </tr> <tr> <td>1</td> <td>0</td> <td>0</td> <td>Cyan - blue</td> </tr> <tr> <td>1</td> <td>0</td> <td>1</td> <td>Green *</td> </tr> <tr> <td>1</td> <td>1</td> <td>0</td> <td>Orange</td> </tr> <tr> <td>1</td> <td>1</td> <td>1</td> <td>Magenta *</td> </tr> </tbody> </table> <p>*: When 2 fsc is used.</p>	LPB2	LPB1	LPB0	Background color (phase)	0	0	0	Cyan *	0	0	1	Yellow *	0	1	0	Red *	0	1	1	Blue *	1	0	0	Cyan - blue	1	0	1	Green *	1	1	0	Orange	1	1	1	Magenta *	Specifies the background color.																																		
		LPB2		LPB1	LPB0	Background color (phase)																																																																				
0	0	0		Cyan *																																																																						
0	0	1		Yellow *																																																																						
0	1	0		Red *																																																																						
0	1	1		Blue *																																																																						
1	0	0		Cyan - blue																																																																						
1	0	1		Green *																																																																						
1	1	0		Orange																																																																						
1	1	1		Magenta *																																																																						
1	LPB1	0																																																																								
		1																																																																								
0	LPB0	0																																																																								
		1																																																																								

Note: All registers are set to 0 when the LC74795/M is reset by the \overline{RST} pin.

COMMAND10 (Display control setup command)

First byte

DA 0 to 7	Register	Contents		Notes
		State	Function	
7	---	1	Command 7 identification code Display control setup	
6	---	1		
5	---	1		
4	---	1		
3	---	0	Extended 3 identification code	
2	---	0		
1	---	1		
0	---	1		

Second byte

DA 0 to 7	Register	Contents		Notes																																																																						
		State	Function																																																																							
7	---	0	Second byte identification bit																																																																							
6	LNC3	0	<table border="1"> <thead> <tr> <th>LNC3</th> <th>LNC2</th> <th>LNC1</th> <th>LNC0</th> <th>Specified line</th> </tr> </thead> <tbody> <tr> <td>0</td> <td>0</td> <td>0</td> <td>0</td> <td>Do not change the line background</td> </tr> <tr> <td>0</td> <td>0</td> <td>0</td> <td>1</td> <td>Line 1</td> </tr> <tr> <td>0</td> <td>0</td> <td>1</td> <td>0</td> <td>Line 2</td> </tr> <tr> <td>0</td> <td>0</td> <td>1</td> <td>1</td> <td>Line 3</td> </tr> <tr> <td>0</td> <td>1</td> <td>0</td> <td>0</td> <td>Line 4</td> </tr> <tr> <td>0</td> <td>1</td> <td>0</td> <td>1</td> <td>Line 5</td> </tr> <tr> <td>0</td> <td>1</td> <td>1</td> <td>0</td> <td>Line 6</td> </tr> <tr> <td>0</td> <td>1</td> <td>1</td> <td>1</td> <td>Line 7</td> </tr> <tr> <td>1</td> <td>0</td> <td>0</td> <td>0</td> <td>Line 8</td> </tr> <tr> <td>1</td> <td>0</td> <td>0</td> <td>1</td> <td>Line 9</td> </tr> <tr> <td>1</td> <td>0</td> <td>1</td> <td>0</td> <td>Line 10</td> </tr> <tr> <td>1</td> <td>0</td> <td>1</td> <td>1</td> <td>Line 11</td> </tr> <tr> <td>1</td> <td>1</td> <td>---</td> <td>---</td> <td>Line 12</td> </tr> </tbody> </table>	LNC3	LNC2	LNC1	LNC0	Specified line	0	0	0	0	Do not change the line background	0	0	0	1	Line 1	0	0	1	0	Line 2	0	0	1	1	Line 3	0	1	0	0	Line 4	0	1	0	1	Line 5	0	1	1	0	Line 6	0	1	1	1	Line 7	1	0	0	0	Line 8	1	0	0	1	Line 9	1	0	1	0	Line 10	1	0	1	1	Line 11	1	1	---	---	Line 12	Specifies the line whose background is to be changed (Specification of LNA*, LNB*, and LNC* on the same line is not allowed.)
		LNC3		LNC2	LNC1	LNC0	Specified line																																																																			
0	0	0		0	Do not change the line background																																																																					
0	0	0		1	Line 1																																																																					
0	0	1		0	Line 2																																																																					
0	0	1		1	Line 3																																																																					
0	1	0		0	Line 4																																																																					
0	1	0		1	Line 5																																																																					
0	1	1		0	Line 6																																																																					
0	1	1		1	Line 7																																																																					
1	0	0		0	Line 8																																																																					
1	0	0		1	Line 9																																																																					
1	0	1	0	Line 10																																																																						
1	0	1	1	Line 11																																																																						
1	1	---	---	Line 12																																																																						
	1																																																																									
5	LNC2	0	<table border="1"> <thead> <tr> <th>LPC2</th> <th>LPC1</th> <th>LPC0</th> <th>Background color (phase)</th> </tr> </thead> <tbody> <tr> <td>0</td> <td>0</td> <td>0</td> <td>Cyan *</td> </tr> <tr> <td>0</td> <td>0</td> <td>1</td> <td>Yellow *</td> </tr> <tr> <td>0</td> <td>1</td> <td>0</td> <td>Red *</td> </tr> <tr> <td>0</td> <td>1</td> <td>1</td> <td>Blue *</td> </tr> <tr> <td>1</td> <td>0</td> <td>0</td> <td>Cyan - blue</td> </tr> <tr> <td>1</td> <td>0</td> <td>1</td> <td>Green *</td> </tr> <tr> <td>1</td> <td>1</td> <td>0</td> <td>Orange</td> </tr> <tr> <td>1</td> <td>1</td> <td>1</td> <td>Magenta *</td> </tr> </tbody> </table>	LPC2	LPC1	LPC0	Background color (phase)	0	0	0	Cyan *	0	0	1	Yellow *	0	1	0	Red *	0	1	1	Blue *	1	0	0	Cyan - blue	1	0	1	Green *	1	1	0	Orange	1	1	1	Magenta *	Specifies the background color. *: When 2 fsc is used.																																		
		LPC2		LPC1	LPC0	Background color (phase)																																																																				
0	0	0		Cyan *																																																																						
0	0	1		Yellow *																																																																						
0	1	0		Red *																																																																						
0	1	1		Blue *																																																																						
1	0	0		Cyan - blue																																																																						
1	0	1		Green *																																																																						
1	1	0		Orange																																																																						
1	1	1		Magenta *																																																																						
	1																																																																									
4	LNC1	0		<table border="1"> <thead> <tr> <th>LPC2</th> <th>LPC1</th> <th>LPC0</th> <th>Background color (phase)</th> </tr> </thead> <tbody> <tr> <td>0</td> <td>0</td> <td>0</td> <td>Cyan *</td> </tr> <tr> <td>0</td> <td>0</td> <td>1</td> <td>Yellow *</td> </tr> <tr> <td>0</td> <td>1</td> <td>0</td> <td>Red *</td> </tr> <tr> <td>0</td> <td>1</td> <td>1</td> <td>Blue *</td> </tr> <tr> <td>1</td> <td>0</td> <td>0</td> <td>Cyan - blue</td> </tr> <tr> <td>1</td> <td>0</td> <td>1</td> <td>Green *</td> </tr> <tr> <td>1</td> <td>1</td> <td>0</td> <td>Orange</td> </tr> <tr> <td>1</td> <td>1</td> <td>1</td> <td>Magenta *</td> </tr> </tbody> </table>	LPC2	LPC1	LPC0	Background color (phase)	0	0	0	Cyan *	0	0	1	Yellow *	0	1	0	Red *	0	1	1	Blue *	1	0	0	Cyan - blue	1	0	1	Green *	1	1	0	Orange	1	1	1		Magenta *	Specifies the background color. *: When 2 fsc is used.																																
		LPC2	LPC1		LPC0	Background color (phase)																																																																				
0	0	0	Cyan *																																																																							
0	0	1	Yellow *																																																																							
0	1	0	Red *																																																																							
0	1	1	Blue *																																																																							
1	0	0	Cyan - blue																																																																							
1	0	1	Green *																																																																							
1	1	0	Orange																																																																							
1	1	1	Magenta *																																																																							
	1																																																																									
3	LNC0	0	<table border="1"> <thead> <tr> <th>LPC2</th> <th>LPC1</th> <th>LPC0</th> <th>Background color (phase)</th> </tr> </thead> <tbody> <tr> <td>0</td> <td>0</td> <td>0</td> <td>Cyan *</td> </tr> <tr> <td>0</td> <td>0</td> <td>1</td> <td>Yellow *</td> </tr> <tr> <td>0</td> <td>1</td> <td>0</td> <td>Red *</td> </tr> <tr> <td>0</td> <td>1</td> <td>1</td> <td>Blue *</td> </tr> <tr> <td>1</td> <td>0</td> <td>0</td> <td>Cyan - blue</td> </tr> <tr> <td>1</td> <td>0</td> <td>1</td> <td>Green *</td> </tr> <tr> <td>1</td> <td>1</td> <td>0</td> <td>Orange</td> </tr> <tr> <td>1</td> <td>1</td> <td>1</td> <td>Magenta *</td> </tr> </tbody> </table>		LPC2	LPC1	LPC0	Background color (phase)	0	0	0	Cyan *	0	0	1	Yellow *	0	1	0	Red *	0	1	1	Blue *	1	0	0	Cyan - blue	1	0	1	Green *	1	1	0	Orange	1	1	1	Magenta *	Specifies the background color. *: When 2 fsc is used.																																	
		LPC2		LPC1	LPC0	Background color (phase)																																																																				
0	0	0		Cyan *																																																																						
0	0	1		Yellow *																																																																						
0	1	0		Red *																																																																						
0	1	1		Blue *																																																																						
1	0	0		Cyan - blue																																																																						
1	0	1		Green *																																																																						
1	1	0		Orange																																																																						
1	1	1		Magenta *																																																																						
	1																																																																									
2	LPC2	0		<table border="1"> <thead> <tr> <th>LPC2</th> <th>LPC1</th> <th>LPC0</th> <th>Background color (phase)</th> </tr> </thead> <tbody> <tr> <td>0</td> <td>0</td> <td>0</td> <td>Cyan *</td> </tr> <tr> <td>0</td> <td>0</td> <td>1</td> <td>Yellow *</td> </tr> <tr> <td>0</td> <td>1</td> <td>0</td> <td>Red *</td> </tr> <tr> <td>0</td> <td>1</td> <td>1</td> <td>Blue *</td> </tr> <tr> <td>1</td> <td>0</td> <td>0</td> <td>Cyan - blue</td> </tr> <tr> <td>1</td> <td>0</td> <td>1</td> <td>Green *</td> </tr> <tr> <td>1</td> <td>1</td> <td>0</td> <td>Orange</td> </tr> <tr> <td>1</td> <td>1</td> <td>1</td> <td>Magenta *</td> </tr> </tbody> </table>	LPC2	LPC1	LPC0	Background color (phase)	0	0	0	Cyan *	0	0	1	Yellow *	0	1	0	Red *	0	1	1	Blue *	1	0	0	Cyan - blue	1	0	1	Green *	1	1	0	Orange	1	1	1	Magenta *		Specifies the background color. *: When 2 fsc is used.																																
		LPC2	LPC1		LPC0	Background color (phase)																																																																				
0	0	0	Cyan *																																																																							
0	0	1	Yellow *																																																																							
0	1	0	Red *																																																																							
0	1	1	Blue *																																																																							
1	0	0	Cyan - blue																																																																							
1	0	1	Green *																																																																							
1	1	0	Orange																																																																							
1	1	1	Magenta *																																																																							
	1																																																																									
1	LPC1	0	<table border="1"> <thead> <tr> <th>LPC2</th> <th>LPC1</th> <th>LPC0</th> <th>Background color (phase)</th> </tr> </thead> <tbody> <tr> <td>0</td> <td>0</td> <td>0</td> <td>Cyan *</td> </tr> <tr> <td>0</td> <td>0</td> <td>1</td> <td>Yellow *</td> </tr> <tr> <td>0</td> <td>1</td> <td>0</td> <td>Red *</td> </tr> <tr> <td>0</td> <td>1</td> <td>1</td> <td>Blue *</td> </tr> <tr> <td>1</td> <td>0</td> <td>0</td> <td>Cyan - blue</td> </tr> <tr> <td>1</td> <td>0</td> <td>1</td> <td>Green *</td> </tr> <tr> <td>1</td> <td>1</td> <td>0</td> <td>Orange</td> </tr> <tr> <td>1</td> <td>1</td> <td>1</td> <td>Magenta *</td> </tr> </tbody> </table>		LPC2	LPC1	LPC0	Background color (phase)	0	0	0	Cyan *	0	0	1	Yellow *	0	1	0	Red *	0	1	1	Blue *	1	0	0	Cyan - blue	1	0	1	Green *	1	1	0	Orange	1	1	1	Magenta *	Specifies the background color. *: When 2 fsc is used.																																	
		LPC2		LPC1	LPC0	Background color (phase)																																																																				
0	0	0		Cyan *																																																																						
0	0	1		Yellow *																																																																						
0	1	0		Red *																																																																						
0	1	1		Blue *																																																																						
1	0	0		Cyan - blue																																																																						
1	0	1		Green *																																																																						
1	1	0		Orange																																																																						
1	1	1		Magenta *																																																																						
	1																																																																									
0	LPC0	0		<table border="1"> <thead> <tr> <th>LPC2</th> <th>LPC1</th> <th>LPC0</th> <th>Background color (phase)</th> </tr> </thead> <tbody> <tr> <td>0</td> <td>0</td> <td>0</td> <td>Cyan *</td> </tr> <tr> <td>0</td> <td>0</td> <td>1</td> <td>Yellow *</td> </tr> <tr> <td>0</td> <td>1</td> <td>0</td> <td>Red *</td> </tr> <tr> <td>0</td> <td>1</td> <td>1</td> <td>Blue *</td> </tr> <tr> <td>1</td> <td>0</td> <td>0</td> <td>Cyan - blue</td> </tr> <tr> <td>1</td> <td>0</td> <td>1</td> <td>Green *</td> </tr> <tr> <td>1</td> <td>1</td> <td>0</td> <td>Orange</td> </tr> <tr> <td>1</td> <td>1</td> <td>1</td> <td>Magenta *</td> </tr> </tbody> </table>	LPC2	LPC1	LPC0	Background color (phase)	0	0	0	Cyan *	0	0	1	Yellow *	0	1	0	Red *	0	1	1	Blue *	1	0	0	Cyan - blue	1	0	1	Green *	1	1	0	Orange	1	1	1	Magenta *		Specifies the background color. *: When 2 fsc is used.																																
		LPC2	LPC1		LPC0	Background color (phase)																																																																				
0	0	0	Cyan *																																																																							
0	0	1	Yellow *																																																																							
0	1	0	Red *																																																																							
0	1	1	Blue *																																																																							
1	0	0	Cyan - blue																																																																							
1	0	1	Green *																																																																							
1	1	0	Orange																																																																							
1	1	1	Magenta *																																																																							
	1																																																																									

Note: All registers are set to 0 when the LC74795/M is reset by the $\overline{\text{RST}}$ pin.

COMMAND11 (Display control setup command)

First byte

DA 0 to 7	Register	Contents		Notes
		State	Function	
7	—	1	Command 7 identification code Display control setup	
6	—	1		
5	—	1		
4	—	1		
3	—	0	Extended 4 identification code	
2	—	1		
1	—	0		
0	—	0		

Second byte

DA 0 to 7	Register	Contents		Notes
		State	Function	
7	—	0	Second byte identification bit	
6	—	0		
5	—	0		
4	—	0		
3	LNCSEL	0	Normal line background color operation	Switches the background color in RV mode for RV specified characters on LNB* specified lines.
		1	RV characters have the color of the PH* specified background color and RV characters have a white background.	
2	MOD3	0	The specifications when LNCSEL is set to 1.	Valid when LNCSEL is high.
		1	RV characters have the background color specified by PH* and the RV characters themselves are white.	
1	LNBSEL	0	Normal line background color operation	Switches the background color in RV mode for RV specified characters on LNB* specified lines.
		1	RV characters have the color of the PH* specified background color and RV characters have a white background.	
0	MOD2	0	The specifications when LNBSEL is set to 1.	Valid when LNBSEL is high.
		1	RV characters have the background color specified by PH* and the RV characters themselves are white.	

Note: All registers are set to 0 when the LC74795/M is reset by the RST pin.

LC74795, 74795M

COMMAND12 (Display control setup command)

First byte

DA 0 to 7	Register	Contents		Notes
		State	Function	
7	—	1		
6	—	1	Command 7 identification code	
5	—	1	Display control setup	
4	—	1		
3	—	0		
2	—	1	Extended 5 identification code	
1	—	0		
0	—	1		

Second byte

DA 0 to 7	Register	Contents		Notes
		State	Function	
7	—	0	Second byte identification bit	
6	—	0		
5	—	0		
4	—	0		
3	—	0		
2	SEL2	0	External synchronizing signal judgment output signal	Switches the SYNC _{JDG} (pin 8) output.
		1	O/E signal	
1	SEL1	0	Internal slice data	When set to 1, the data is input from SEP _{IN} (pin 27).
		1	External slice data	
0	CTL3	0	Internal V separation used	V separation switching
		1	Internal V separation not used	

Note: All registers are set to 0 when the LC74795/M is reset by the RST pin.

COMMAND13 (VPS/PDC control setup command)

First byte

DA 0 to 7	Register	Contents		Notes
		State	Function	
7	—	1	Command 7 identification code Display control setup	
6	—	1		
5	—	1		
4	—	1		
3	—	0		
2	—	1	Extended 5 identification code	
1	—	0		
0	—	1		

Second byte

DA 0 to 7	Register	Contents		Notes																																																																	
		State	Function																																																																		
7	—	0	Second byte identification bit																																																																		
6	CPA1	0	<table border="1"> <thead> <tr> <th>CPA1</th> <th>CPA0</th> <th>Clock</th> </tr> </thead> <tbody> <tr> <td>0</td> <td>0</td> <td>No. 1</td> </tr> <tr> <td>0</td> <td>1</td> <td>No. 2</td> </tr> <tr> <td>1</td> <td>0</td> <td>No. 3</td> </tr> <tr> <td>1</td> <td>1</td> <td>No. 4</td> </tr> </tbody> </table>	CPA1	CPA0	Clock	0	0	No. 1	0	1	No. 2	1	0	No. 3	1	1	No. 4	Data acquisition clock switching																																																		
		CPA1		CPA0	Clock																																																																
0	0	No. 1																																																																			
0	1	No. 2																																																																			
1	0	No. 3																																																																			
1	1	No. 4																																																																			
1																																																																					
5	CPA0	0																																																																			
		1																																																																			
4	—	0																																																																			
3	VPM3	0	<table border="1"> <thead> <tr> <th>VPM3</th> <th>VPM2</th> <th>VPM1</th> <th>VPM0</th> <th>Operating mode</th> </tr> </thead> <tbody> <tr> <td>0</td> <td>0</td> <td>0</td> <td>0</td> <td>VPS</td> </tr> <tr> <td>0</td> <td>0</td> <td>0</td> <td>1</td> <td>8/30/2 (PDC)</td> </tr> <tr> <td>0</td> <td>0</td> <td>1</td> <td>0</td> <td>Automatic PDC and VPS switching</td> </tr> <tr> <td>0</td> <td>0</td> <td>1</td> <td>1</td> <td>8/30/1 (JDT)</td> </tr> <tr> <td>0</td> <td>1</td> <td>0</td> <td>0</td> <td>Header time 1</td> </tr> <tr> <td>0</td> <td>1</td> <td>0</td> <td>1</td> <td>Header time 2</td> </tr> <tr> <td>0</td> <td>1</td> <td>1</td> <td>0</td> <td>Header time 3</td> </tr> <tr> <td>0</td> <td>1</td> <td>1</td> <td>1</td> <td>Header time 4</td> </tr> <tr> <td>1</td> <td>0</td> <td>0</td> <td>0</td> <td>Status display 1</td> </tr> <tr> <td>1</td> <td>0</td> <td>0</td> <td>1</td> <td>Status display 2</td> </tr> <tr> <td>1</td> <td>0</td> <td>1</td> <td>0</td> <td>Status display 3</td> </tr> <tr> <td>1</td> <td>0</td> <td>1</td> <td>1</td> <td>Status display 4</td> </tr> </tbody> </table>	VPM3	VPM2	VPM1	VPM0	Operating mode	0	0	0	0	VPS	0	0	0	1	8/30/2 (PDC)	0	0	1	0	Automatic PDC and VPS switching	0	0	1	1	8/30/1 (JDT)	0	1	0	0	Header time 1	0	1	0	1	Header time 2	0	1	1	0	Header time 3	0	1	1	1	Header time 4	1	0	0	0	Status display 1	1	0	0	1	Status display 2	1	0	1	0	Status display 3	1	0	1	1	Status display 4	
		VPM3		VPM2	VPM1	VPM0	Operating mode																																																														
0	0	0		0	VPS																																																																
0	0	0		1	8/30/2 (PDC)																																																																
0	0	1		0	Automatic PDC and VPS switching																																																																
0	0	1		1	8/30/1 (JDT)																																																																
0	1	0		0	Header time 1																																																																
0	1	0		1	Header time 2																																																																
0	1	1		0	Header time 3																																																																
0	1	1		1	Header time 4																																																																
1	0	0		0	Status display 1																																																																
1	0	0		1	Status display 2																																																																
1	0	1		0	Status display 3																																																																
1	0	1		1	Status display 4																																																																
1																																																																					
2	VPM2	0																																																																			
		1																																																																			
1	VPM1	0																																																																			
		1																																																																			
0	VPM0	0																																																																			
		1																																																																			

Note: All registers are set to 0 when the LC74795/M is reset by the \overline{RST} pin.

COMMAND14 (VPS/PDC control setup command)

First byte

DA 0 to 7	Register	Contents		Notes
		State	Function	
7	—	1	Command 7 identification code Display control setup	
6	—	1		
5	—	1		
4	—	1		
3	—	0	Extended 6 Identification code	
2	—	1		
1	—	1		
0	—	0		

Second byte

DA 0 to 7	Register	Contents		Notes
		State	Function	
7	—	0	Second byte identification bit	
6	—	0		
5	—	0		
4	HBS2	0	Discrimination mode 1	Clock line
		1	Discrimination mode 2	
3	HBS1	0	Discrimination mode 1	Framing code
		1	Discrimination mode 2	
2	BMS	0	Error checking enabled (Error checking can be turned on or off on a per-byte basis.)	When 0, bytes for which error checking is specified and that have no errors are written to P-S. When 1, all bytes are written to P-S regardless of errors.
		1	Error checking disabled (Applications can select whether to hold or write data with errors on a per-byte basis.)	
1	EMS	0	Data hold	The handling at bytes for which error checking is turned off when error checking is enabled
		1	Data write (In VPS mode, the error bit is set to 0.)	
0	DCE	0	Error checking turned on for data unused bytes. VPS: bytes 3, 4, and 6 to 10. PDCC (8/30/2): bytes 7 to 12. Header 1: bytes 14 to 37. Header 2: bytes 14 to 29, Header 3: bytes 14 to 21. Status 1 (3): bytes 7 to 25. Status 2 (4): bytes 7 to 35.	Error checking specification for bytes whose data is unused BI-phase (VPS), Hamming (PDC), or odd parity (header)
		1	Error checking turned off for data unused bytes. VPS: bytes 3, 4, and 6 to 10. PDCC (8/30/2): bytes 7 to 12. Header 1: bytes 14 to 37. Header 2: bytes 14 to 29, Header 3: bytes 14 to 21. Status 1 (3): bytes 7 to 25. Status 2 (4): bytes 7 to 35.	

Note: All registers are set to 0 when the LC74795M is reset by the RST pin.

COMMAND15 (VPS/PDC control setup command)

First byte

DA 0 to 7	Register	Contents		Notes
		State	Function	
7	—	1	Command 7 Identification code Display control setup	
6	—	1		
5	—	1		
4	—	1		
3	—	0	Extended 7 Identification code	
2	—	1		
1	—	1		
0	—	1		

Second byte

DA 0 to 7	Register	Contents		Notes
		State	Function	
7	—	0	Second byte identification bit	
6	—	0		
5	ECV15	0	Byte 15 bi-phase error check on (data held)	Settings when the VPS data BMS = 0. Settings in parentheses apply when BMS = 1.
		1	Byte 15 bi-phase error check off (data written)	
4	ECV14	0	Byte 14 bi-phase error check on (data held)	
		1	Byte 14 bi-phase error check off (data written)	
3	ECV13	0	Byte 13 bi-phase error check on (data held)	
		1	Byte 13 bi-phase error check off (data written)	
2	ECV12	0	Byte 12 bi-phase error check on (data held)	
		1	Byte 12 bi-phase error check off (data written)	
1	ECV11	0	Byte 11 bi-phase error check on (data held)	
		1	Byte 11 bi-phase error check off (data written)	
0	ECV5	0	Byte 5 bi-phase error check on (data held)	
		1	Byte 5 bi-phase error check off (data written)	

Note: All registers are set to 0 when the LC74795/M is reset by the RST pin.

COMMAND16 (VPS/PDC control setup command)

First byte

DA 0 to 7	Register	Contents		Notes	
		State	Function		
7	—	1			
6	—	1	Command 7 Identification code		
5	—	1		Display control setup	
4	—	1			
3	—	1			
2	—	0	Extended 8 Identification code		
1	—	0			
0	—	0			

Second byte

DA 0 to 7	Register	Contents		Notes
		State	Function	
7	—	0	Second byte Identification bit	
6	ECP19	0	Byte 19 Hamming error check on (data held) {Byte 44, 28, 36, 20, 32, 42, 32, and 42}	Settings when the PDC data (8/30/2) BMS = 0. Settings in parentheses apply when BMS = 1. The items in curly brackets are the bytes for which the odd parity check is turned on and off in header modes 1, 2, 3, and 4 and status modes 1, 2, 3, and 4, respectively.
		1	Byte 19 Hamming error check off (data written) {Byte 44, 28, 36, 20, 32, 42, 32, and 42}	
5	ECP18	0	Byte 18 Hamming error check on (data held) {Byte 43, 27, 35, 19, 31, 41, 31, and 41}	
		1	Byte 18 Hamming error check off (data written) {Byte 43, 27, 35, 19, 31, 41, 31, and 41}	
4	ECP17	0	Byte 17 Hamming error check on (data held) {Byte 42, 26, 34, 18, 30, 40, 30, and 40}	
		1	Byte 17 Hamming error check off (data written) {Byte 42, 26, 34, 18, 30, 40, 30, and 40}	
3	ECP16	0	Byte 16 Hamming error check on (data held) {Byte 41, 25, 33, 17, 29, 39, 29, and 39}	
		1	Byte 16 Hamming error check off (data written) {Byte 41, 25, 33, 17, 29, 39, 29, and 39}	
2	ECP15	0	Byte 15 Hamming error check on (data held) {Byte 40, 24, 32, 16, 28, 38, 28, and 38}	
		1	Byte 15 Hamming error check off (data written) {Byte 40, 24, 32, 16, 28, 38, 28, and 38}	
1	ECP14	0	Byte 14 Hamming error check on (data held) {Byte 39, 23, 31, 15, 27, 37, 27, and 37}	
		1	Byte 14 Hamming error check off (data written) {Byte 39, 23, 31, 15, 27, 37, 27, and 37}	
0	ECP13	0	Byte 13 Hamming error check on (data held) {Byte 38, 22, 30, 14, 26, 36, 26, and 36}	
		1	Byte 13 Hamming error check off (data written) {Byte 38, 22, 30, 14, 26, 36, 26, and 36}	

Note: All registers are set to 0 when the LC74795M is reset by the RST pin.

COMMAND17 (VPS/PDC control setup command)

First byte

DA 0 to 7	Register	Contents		Notes
		State	Function	
7	—	1	Command 7 Identification code Display control setup	
6	—	1		
5	—	1		
4	—	1		
3	—	1	Extended 9 Identification code	
2	—	0		
1	—	0		
0	—	1		

Second byte

DA 0 to 7	Register	Contents		Notes
		State	Function	
7	—	0	Second byte identification bit	
6	—	0		
5	ECP25	0	Byte 25 Hamming error check on (data held)	Settings when the PDC data (8/30/2) BMS = 0. Settings in parentheses apply when BMS = 1. The items in curly brackets are the bytes for which the odd parity check is turned off in header modes 1, 2, 3, and 4 and status modes 1, 2, 3, and 4, respectively.
		1	Byte 25 Hamming error check off (data written)	
4	ECP24	0	Byte 24 Hamming error check on (data held)	
		1	Byte 24 Hamming error check off (data written)	
3	ECP23	0	Byte 23 Hamming error check on (data held)	
		1	Byte 23 Hamming error check off (data written)	
2	ECP22	0	Byte 22 Hamming error check on (data held) {Byte ..., 35, 45, 35, and 45}	
		1	Byte 22 Hamming error check off (data written) {Byte ..., 35, 45, 35, and 45}	
1	ECP21	0	Byte 21 Hamming error check on (data held) {Byte ..., 34, 44, 34, and 44}	
		1	Byte 21 Hamming error check off (data written) {Byte ..., 34, 44, 34, and 44}	
0	ECP20	0	Byte 20 Hamming error check on (data held) {Byte 45, 29, 37, 21, 33, 43, 33, and 43}	
		1	Byte 20 Hamming error check off (data written) {Byte 45, 29, 37, 21, 33, 43, 33, and 43}	

Note: All registers are set to 0 when the LC74795/M is reset by the RST pin.

PDC/VPS Output Data Formats

Data is read out in order starting with bytes 1 and 7

Output data	PDC 8/30 mode		VPS mode	Header time mode 1 (3)	Header time mode 2 (4)
	Format1	Format2			
Byte 1 Bit 7 6 5 4 3 2 1 0	byte 15 bit 0 1 2 3 4 5 6 7	byte 16 bit 0 1 2 3 byte 17 bit 0 1 2 3	byte 11 bit 0 1 2 3 4 5 6 7	byte 38 bit 0 (30) 1 2 3 4 5 6 7	byte 22 bit 0 (14) 1 2 3 4 5 6 7
Byte 2 Bit 7 6 5 4 3 2 1 0	byte 16 bit 0 1 2 3 4 5 6 7	byte 18 bit 0 1 2 3 byte 19 bit 0 1 2 3	byte 12 bit 0 1 2 3 4 5 6 7	byte 39 bit 0 (31) 1 2 3 4 5 6 7	byte 23 bit 0 (15) 1 2 3 4 5 6 7
Byte 3 Bit 7 6 5 4 3 2 1 0	byte 17 bit 0 1 2 3 4 5 6 7	byte 20 bit 0 1 2 3 byte 21 bit 0 1 2 3	byte 13 bit 0 1 2 3 4 5 6 7	byte 40 bit 0 (32) 1 2 3 4 5 6 7	byte 24 bit 0 (16) 1 2 3 4 5 6 7
Byte 4 Bit 7 6 5 4 3 2 1 0	byte 18 bit 0 1 2 3 4 5 6 7	byte 22 bit 0 1 2 3 byte 23 bit 0 1 2 3	byte 14 bit 0 1 2 3 4 5 6 7	byte 41 bit 0 (33) 1 2 3 4 5 6 7	byte 25 bit 0 (17) 1 2 3 4 5 6 7
Byte 5 Bit 7 6 5 4 3 2 1 0	byte 19 bit 0 1 2 3 4 5 6 7	byte 14 bit 0 1 2 3 byte 15 bit 0 1 2 3	byte 5 bit 0 1 2 3 4 5 6 7	byte 42 bit 0 (34) 1 2 3 4 5 6 7	byte 26 bit 0 (18) 1 2 3 4 5 6 7
Byte 6 Bit 7 6 5 4 3 2 1 0	byte 20 bit 0 1 2 3 4 5 6 7	byte 24 bit 0 1 2 3 byte 25 bit 0 1 2 3	byte 15 bit 0 1 2 3 4 5 6 7	byte 43 bit 0 (35) 1 2 3 4 5 6 7	byte 27 bit 0 (19) 1 2 3 4 5 6 7

Continued on next page.

LC74795, 74795M

Continued from preceding page.

Output data	PDC 8/30 mode		VPS mode	Header time mode 1 (3)	Header time mode 2 (4)
	Format1	Format2			
Byte 7 Bit 7 6 5 4 3 2 1 0	byte 21 bit 0 1 2 3 4 5 6 7	byte 13 bit 0 1 2 3 1 1 1 1	1 1 1 1 1 1 0	byte 44 bit 0 (36) 1 2 3 4 5 6 7	byte 28 bit 0 (20) 1 2 3 4 5 6 7
Byte 8 Bit 7 6 5 4 3 2 1 0	byte 13 bit 0 1 2 3 4 5 6 7	Error byte 16 Information 1 17 18 19 20 21 22 23	Error byte 11 Information 1 12 13 14 5 15 0 0	byte 45 bit 0 (37) 1 2 3 4 5 6 7	byte 29 bit 0 (21) 1 2 3 4 5 6 7
Byte 9 Bit 7 6 5 4 3 2 1 0	byte 14 bit 0 1 2 3 4 5 6 7	Error byte 14 Information 2 15 24 25 13 0 0 0		Error byte 38 (30) Information 39 (31) 40 (32) 41 (33) 42 (34) 43 (35) 44 (36) 45 (37)	Error byte 22 (14) Information 23 (15) 24 (16) 25 (17) 26 (18) 27 (19) 28 (20) 29 (21)
Byte 10 Bit 7 6 5 4 3 2 1 0	byte 22 bit 0 1 2 3 4 5 6 7				
Byte 11 Bit 7 6 5 4 3 2 1 0	byte 23 bit 0 1 2 3 4 5 6 7				
Byte 12 Bit 7 6 5 4 3 2 1 0	byte 24 bit 0 1 2 3 4 5 6 7				
Byte 13 Bit 7 6 5 4 3 2 1 0	byte 25 bit 0 1 2 3 4 5 6 7				

Bits for which there is no data setting are 1.

LC74795, 74795M

Data is read out in order starting with bytes 1 and 7

1, 2 : 8/30/2 3, 4 : 8/30/1

Output data	Status display mode 1 (3)	Status display mode 2 (4)
Byte 1 Bit 7 6 5 4 3 2 1 0	byte 26 bit 0 (26) 1 2 3 4 5 6 7	byte 36 bit 0 (36) 1 2 3 4 5 6 7
Byte 2 Bit 7 6 5 4 3 2 1 0	byte 27 bit 0 (27) 1 2 3 4 5 6 7	byte 37 bit 0 (37) 1 2 3 4 5 6 7
Byte 3 Bit 7 6 5 4 3 2 1 0	byte 28 bit 0 (28) 1 2 3 4 5 6 7	byte 38 bit 0 (38) 1 2 3 4 5 6 7
Byte 4 Bit 7 6 5 4 3 2 1 0	byte 29 bit 0 (29) 1 2 3 4 5 6 7	byte 39 bit 0 (39) 1 2 3 4 5 6 7
Byte 5 Bit 7 6 5 4 3 2 1 0	byte 30 bit 0 (30) 1 2 3 4 5 6 7	byte 40 bit 0 (40) 1 2 3 4 5 6 7
Byte 6 Bit 7 6 5 4 3 2 1 0	byte 31 bit 0 (31) 1 2 3 4 5 6 7	byte 41 bit 0 (41) 1 2 3 4 5 6 7
Byte 7 Bit 7 6 5 4 3 2 1 0	byte 32 bit 0 (32) 1 2 3 4 5 6 7	byte 42 bit 0 (42) 1 2 3 4 5 6 7

Output data	Status display mode 1 (3)	Status display mode 2 (4)
Byte 8 Bit 7 6 5 4 3 2 1 0	byte 33 bit 0 (33) 1 2 3 4 5 6 7	byte 43 bit 0 (43) 1 2 3 4 5 6 7
Byte 9 Bit 7 6 5 4 3 2 1 0	byte 34 bit 0 (34) 1 2 3 4 5 6 7	byte 44 bit 0 (44) 1 2 3 4 5 6 7
Byte 10 Bit 7 6 5 4 3 2 1 0	byte 35 bit 0 (35) 1 2 3 4 5 6 7	byte 45 bit 0 (45) 1 2 3 4 5 6 7
Byte 11 Bit 7 6 5 4 3 2 1 0	Error byte 26 (26) information 1 27 (27) 28 (28) 29 (29) 30 (30) 31 (31) 32 (32) 33 (33)	Error byte 36 (36) information 1 37 (37) 38 (38) 39 (39) 40 (40) 41 (41) 42 (42) 43 (43)
Byte 12 Bit 7 6 5 4 3 2 1 0	Error byte 34 (34) information 2 35 (35) 0 0 0 0 0 0 0	Error byte 44 (44) information 2 45 (45) 0 0 0 0 0 0 0
Byte 13 Bit 7 6 5 4 3 2 1 0		

Bits for which there is no data setting are 1.

Display Screen Structure

The display consists of 12 lines of 24 characters.

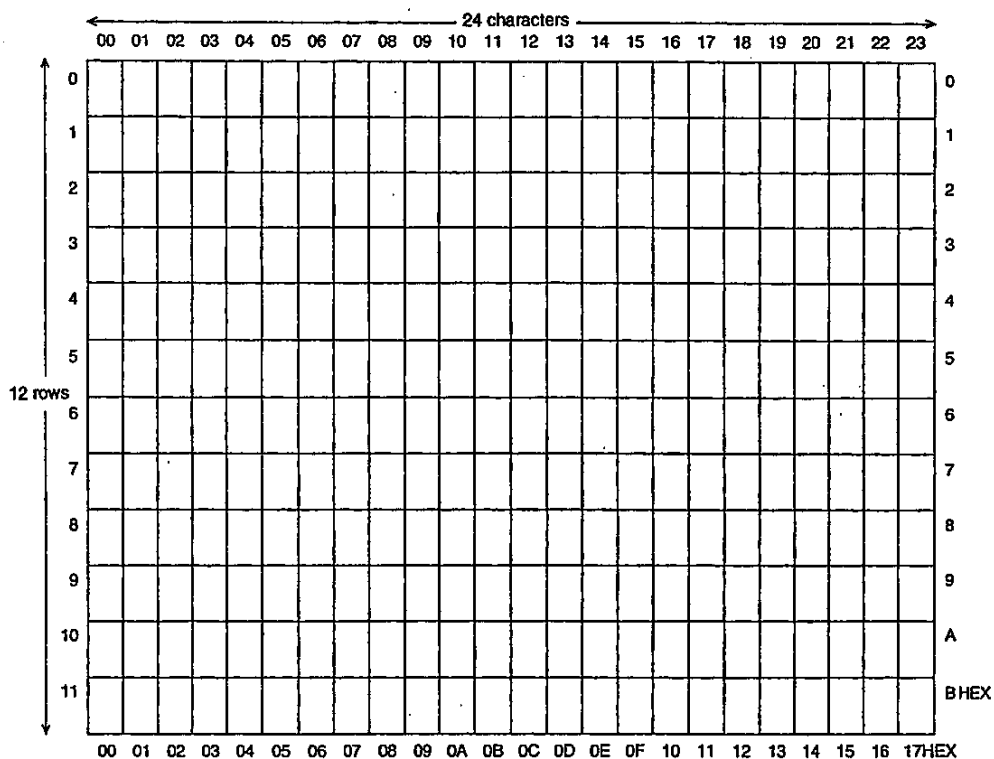
Up to 288 characters can be displayed.

The number of characters that can be displayed is reduced from the normal total of 288 when enlarged characters are displayed.

Display memory addresses are specified as row (0 to B hexadecimal) and column (0 to 17 hexadecimal) addresses.

Display Screen Structure (display memory addresses)

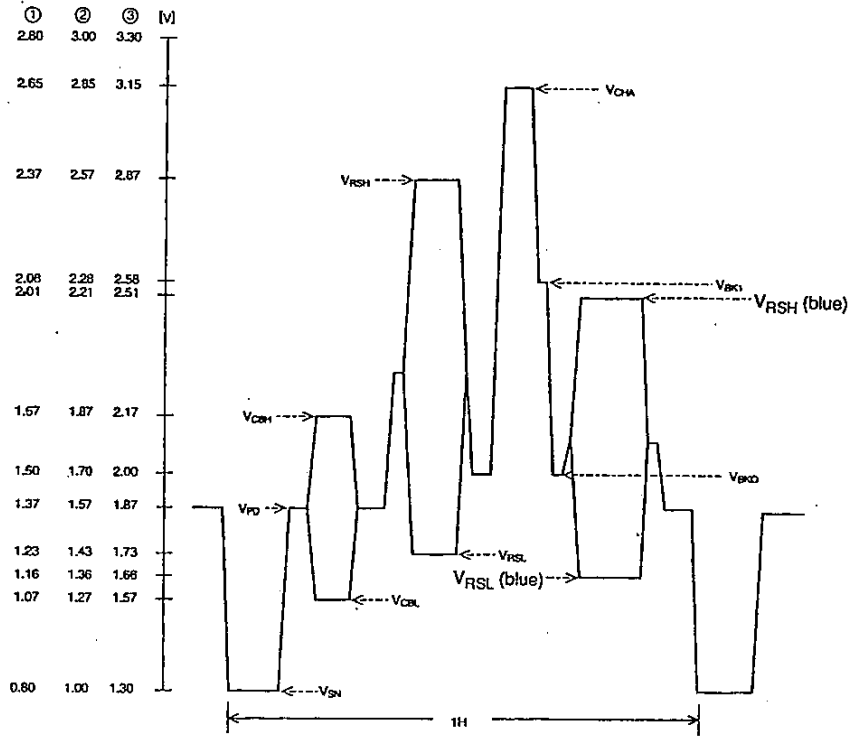
24 characters × 12 rows



Address

Composite Video Signal Output Levels (internally generated levels)

CV_{OUT} output level waveform (V_{DD2} = 5.00 V)



Output level	Output voltage (1) [V]	Output voltage (2) [V]	Output voltage (3) [V]
V _{CHA} : Character	2.65	2.85	3.15
V _{RSH} : Background color high	2.37 (2.01)	2.57 (2.21)	2.87 (2.51)
V _{CBH} : Color burst high	1.67	1.87	2.17
V _{RSL} : Background color low	1.23 (1.16)	1.43 (1.36)	1.73 (1.66)
V _{BK1} : Border	2.08	2.28	2.58
V _{BK0} : Border	1.50	1.70	2.00
V _{PD} : Pedestal	1.37	1.57	1.87
V _{CBL} : Color burst low	1.07	1.27	1.57
V _{SN} : Sync	0.80	1.00	1.30

Note: V_{DD2} = 5.0 V. Values in parentheses for V_{RSH} and V_{RSL} apply when the background color is blue.

- No products described or contained herein are intended for use in surgical implants, life-support systems, aerospace equipment, nuclear power control systems, vehicles, disaster/crime-prevention equipment and the like, the failure of which may directly or indirectly cause injury, death or property loss.
- Anyone purchasing any products described or contained herein for an above-mentioned use shall:
 - ① Accept full responsibility and indemnify and defend SANYO ELECTRIC CO., LTD., its affiliates, subsidiaries and distributors and all their officers and employees, jointly and severally, against any and all claims and litigation and all damages, cost and expenses associated with such use:
 - ② Not impose any responsibility for any fault or negligence which may be cited in any such claim or litigation on SANYO ELECTRIC CO., LTD., its affiliates, subsidiaries and distributors or any of their officers and employees jointly or severally.
- Information (including circuit diagrams and circuit parameters) herein is for example only; it is not guaranteed for volume production. SANYO believes information herein is accurate and reliable, but no guarantees are made or implied regarding its use or any infringements of intellectual property rights or other rights of third parties.

This catalog provides information as of February, 1997. Specifications and information herein are subject to change without notice.