

TOSHIBA BIPOLAR LINEAR INTEGRATED CIRCUIT SILICON MONOLITHIC

TA7792P, TA7792F

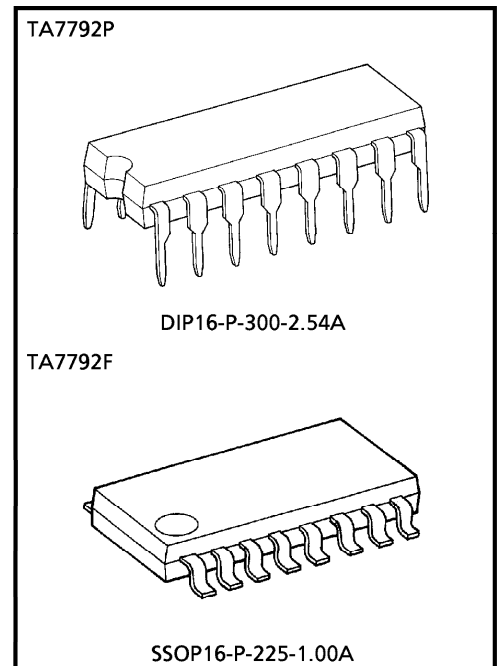
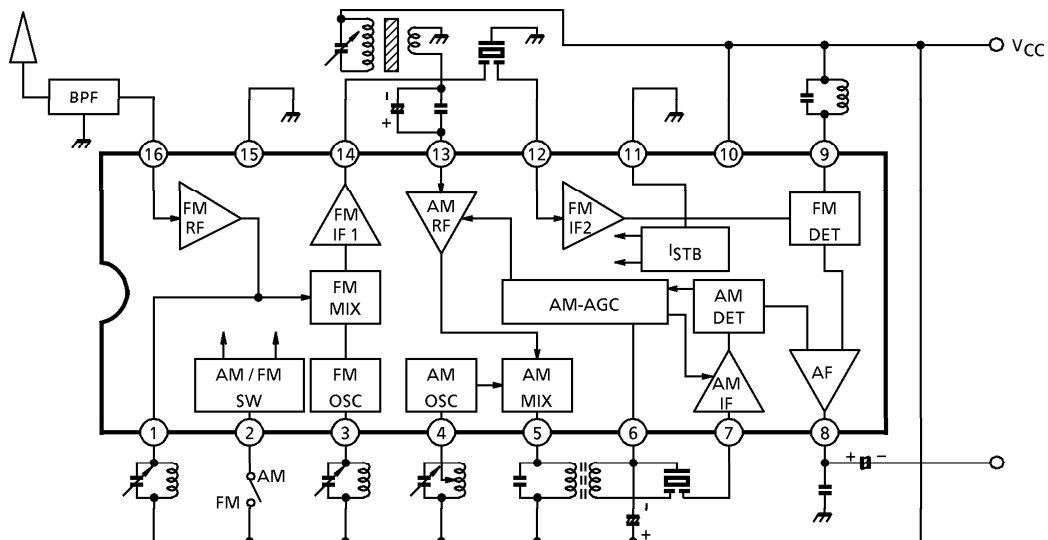
AM / FM 1 CHIP TUNER SYSTEM IC (1.5V USE)

The TA7792P, TA7792F are AM / FM 1 chip tuner system (FM FRONT END + AM / FM IF) ICs, which are designed for low voltage operation (1.5V, 3.0V). Those are especially suitable for stereo headphone radio and radio cassette recorder equipments. These item can realize the low power dissipation and few external parts.

FEATURES

- AM detector coil-less
- FM mixer coil-less
- Switchover between AM / FM mode is possible with one-make switch.
- Operating supply voltage range
 $V_{CC(opr)} = 0.95 \sim 5V$ ($T_a = 25^\circ C$)
- Excellent low supply current ($V_{CC} = 1.5V, T_a = 25^\circ C$)
 $I_{CC(AM)} = 1.2mA$ (Typ.)
 $I_{CC(FM)} = 4.0mA$ (Typ.)

BLOCK DIAGRAM



Weight
 DIP16-P-300-2.54A : 1.00g (Typ.)
 SSOP16-P-225-1.00A : 0.14g (Typ.)

APPLICATION NOTE

<FM SECTION>

- RF amplifier (See Fig.1)

This stage is composed of the emitter-grounded and cascade connection amplifier.

The input impedance of pin⑩ is about 260Ω, which is determined by D₁.

- Mixer amplifier (See Fig.2)

The amplified RF signal is transformed into IF signal by the mixer circuit which is composed of a differential amplifier.

The amplified IF signal is appeared through the emitter follower circuit at pin⑭. The output impedance of pin ⑭ is about 300Ω, due to match the impedance of the ceramic filter.

(Note)

The spurious characteristic is determined by the characteristic of the ceramic filter (10.7MHz), because the mixer coil is dispensable. It is possible to improve the spurious characteristic that the two ceramic filters of different characteristics are connected in series.

- IF limiter amplifier (See Fig.3)

The IF limiter amplifier is composed of six emitter-grounded amplifiers and a differential amplifier. The basis composition of the emitter-grounded amplifiers is shown as Fig.3.

- Detector circuit

This stage is composed of the quadrature detector circuit, which has double balanced.

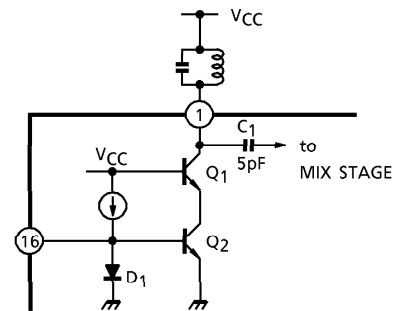


Fig.1

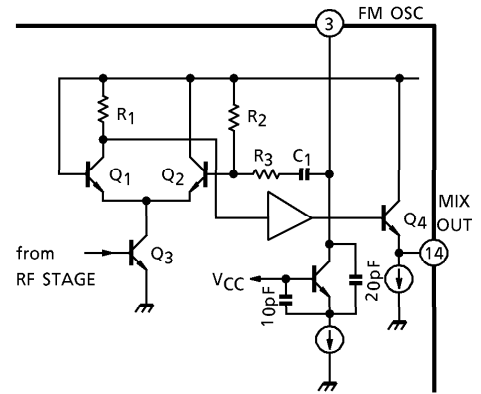


Fig.2

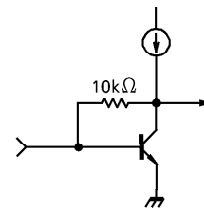


Fig.3

<AM SECTION>

- RF amplifier (See Fig.4)

This stage is composed of emitter-grounded amplifier, the input impedance of which has about $7.3k\Omega$. It is necessary to connect as Fig.4, because the condenser, C_1 is available to the audio by-pass of the RF-AGC, the noise of low frequency.

- Mixer circuit

The amplified RF signal is transformed into IF signal by the mixer circuit, which is composed of a differential amplifier.

- IF amplifier

This stage is composed of four emitter-grounded amplifiers and the two differential amplifiers. The input impedance is rather high, because it is changed by the amplitude of input signal (AGC level). So the input terminal of the IF amplifier must be matched with the impedance of ceramic filter.

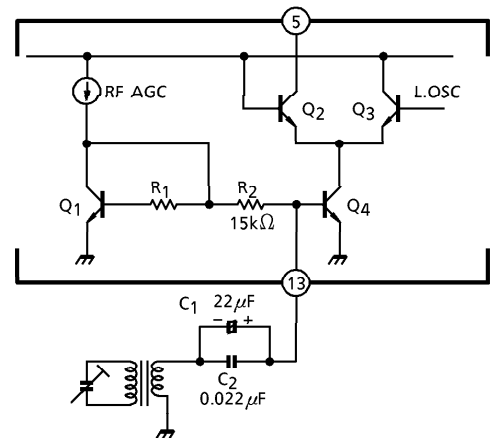


Fig.4

<COMMON SECTION>

- AM / FM mode switchover

Switchover between AM / FM mode is possible with one-make switch. In case of the opened, this IC has AM mode.

Another in case that the terminal is connected to V_{CC} directly, that has FM mode. And the terminal of pin② is V_{CC} terminal of FM FRONT END section, too.

- Output circuit (See Fig.5)

Both of the AM / FM detector signal is appeared through the pin⑧.

Those output are chosen by the mode switchover. At the same time, the output impedance is changed as follow at AM / FM mode, due to cut the AM carrier signal and pass the FM composite signal smoothly, with only one condenser.

$$R_{out}(AM) = 8k\Omega \text{ (Typ.)}$$

$$R_{out}(FM) = 1.4k\Omega \text{ (Typ.)}$$

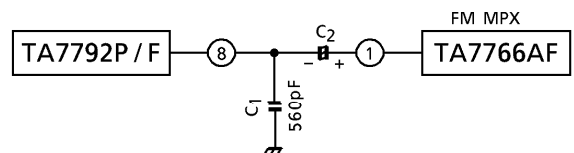


Fig.5

MAXIMUM RATINGS (Ta = 25°C)

CHARACTERISTIC	SYMBOL	RATING	UNIT
Supply Voltage	V _{CC}	5	V
Power Dissipation	TA7792P	750	mW
	TA7792F	350	
Operating Temperature	T _{opr}	-25~75	°C
Storage Temperature	T _{stg}	-55~150	°C

(Note) Derated above Ta = 25°C in the proportion of 6mW/°C for TA7792P, and of 2.8mW/°C for TA7792F.

ELECTRICAL CHARACTERISTICS

Unless otherwise specified, Ta = 25°C, V_{CC} = 1.5V

FM : V_{in} = 60dB μ V EMF, f = 83MHz, f_m = 1kHz, Δ f = \pm 22.5kHz

AM : V_{in} = 60dB μ V EMF, f = 1MHz, f_m = 1kHz, MOD = 30%

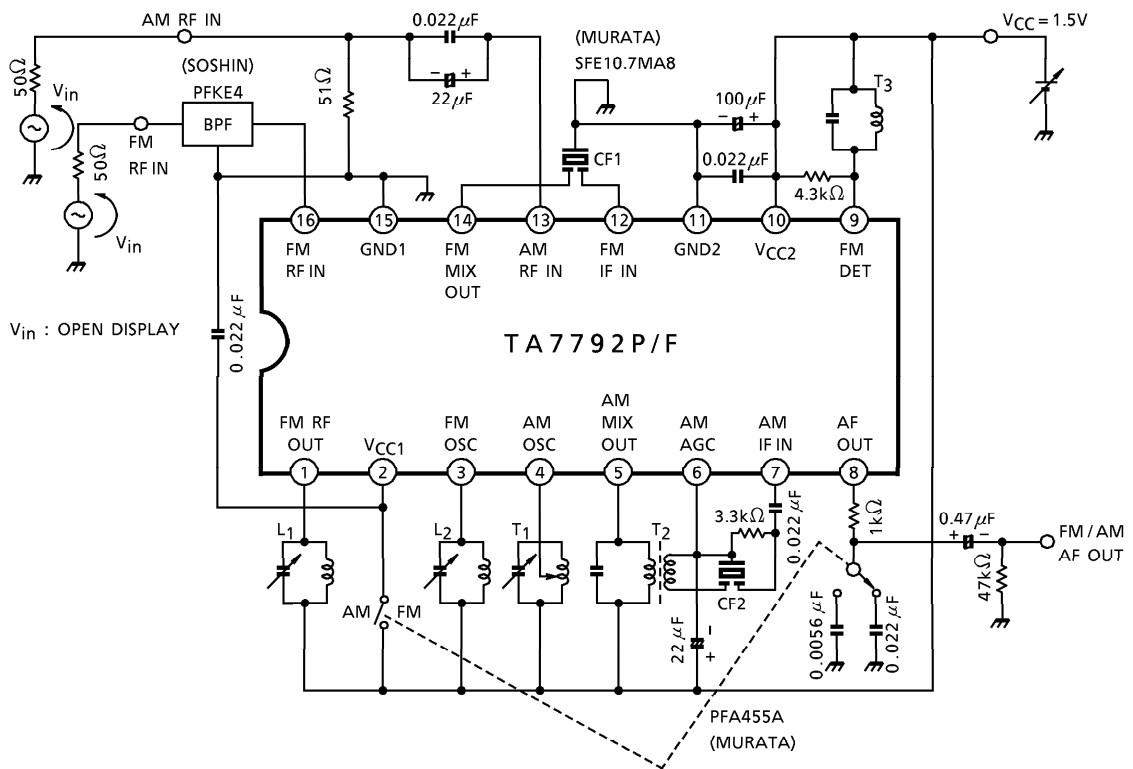
CHARACTERISTIC	SYMBOL	TEST CIRCUIT	TEST CONDITION	MIN.	TYP.	MAX.	UNIT	
Supply Current	I _{CC} (FM)	1	V _{in} = 0	—	4.0	5.2	mA	
	I _{CC} (AM)	1	V _{in} = 0	—	1.2	1.8		
FM	Input Limiting Voltage	V _{in} (lim)	-3dB limiting	—	10	16	dB μ V EMF	
	Total Harmonic Distortion	THD (FM)		—	0.25	—	%	
	Signal To Noise Ratio	S/N (FM)		—	62	—	dB	
	Quiescent Sensitivity	Q _S		S/N = 30dB	—	12	—	dB μ V EMF
	AM Rejection Ratio	AMR		MOD = 30%	—	30	—	dB
	Oscillator Voltage	V _{osc}	2	f = 60MHz	53	90	135	mV _{rms}
	Oscillator Stop Supply Voltage	V _{stop} (FM)	1	V _{in} < -20dB μ V EMF	—	0.85	0.95	V
	Recovered Output Voltage	V _{OD} (FM)	1		28	45	68	mV _{rms}
AM	Voltage Gain	G _V		14	25	50	mV _{rms}	
	Recovered Output Voltage	V _{OD} (AM)		25	40	60	mV _{rms}	
	Total Harmonic Distortion	THD (AM)		—	1.5	—	%	
	Signal To Noise Ratio	S/N (AM)		—	40	—	dB	
	Oscillator Stop Supply Voltage	V _{stop} (AM)	1	V _{in} < -20dB μ V EMF	—	0.85	0.95	V
Output Resistance Pin [Ⓢ]	FM	R _O (FM)	f = 1kHz	—	1.4	—	k Ω	
	AM	R _O (AM)	f = 1kHz	—	8	—		

※ V_{in} : Open Display

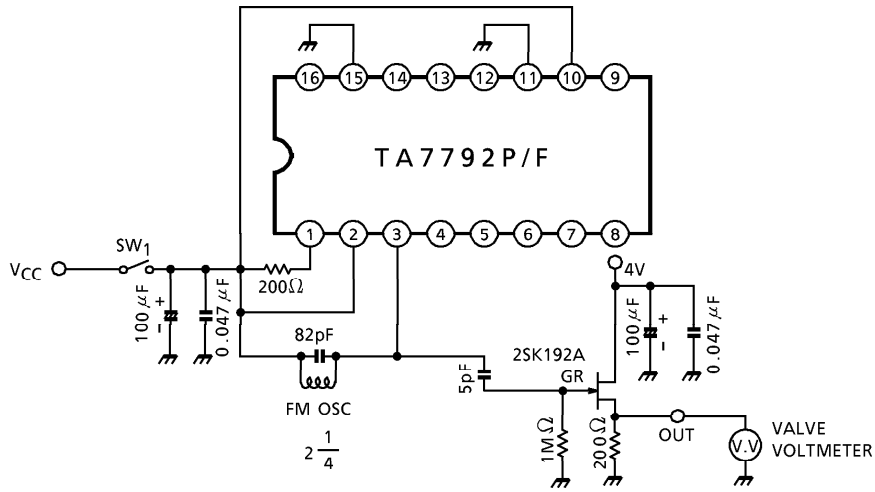
TERMINAL VOLTAGE : Terminal voltage at no signal with test circuit ($V_{CC} = 1.5V$, $T_a = 25^\circ C$)

PIN No.	PIN NAME	SYMBOL	TYP.		UNIT	PIN No.	PIN NAME	SYMBOL	TYP.		UNIT
			AM	FM					AM	FM	
1	FM RF OUT	V_1	—	1.5	V	9	FM DET	V_9	1.5	1.5	V
2	V_{CC1}	V_2	—	1.5	V	10	V_{CC2}	V_{10}	1.5	1.5	V
3	FM OSC	V_3	—	1.5	V	11	GND2	V_{11}	0	0	V
4	AM OSC	V_4	1.5	1.5	V	12	FM IF IN	V_{12}	—	0.7	V
5	AM MIX OUT	V_5	1.5	1.5	V	13	AM RF IN	V_{13}	0.7	—	V
6	AM AGC	V_6	0.8	—	V	14	FM MIX OUT	V_{14}	—	0.8	V
7	AM IF IN	V_7	1.4	1.5	V	15	GND1	V_{15}	0	0	V
8	AF OUT	V_8	0.6	0.6	V	16	FM RF IN	V_{16}	—	0.7	V

TEST CIRCUIT 1



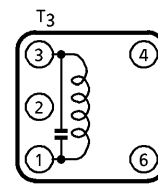
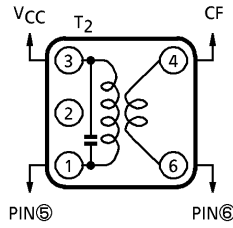
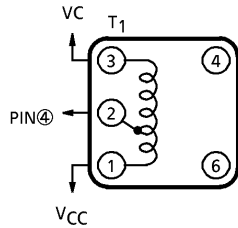
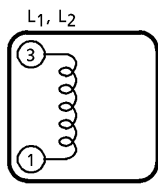
TEST CIRCUIT 2



COIL DATA (Test circuit)

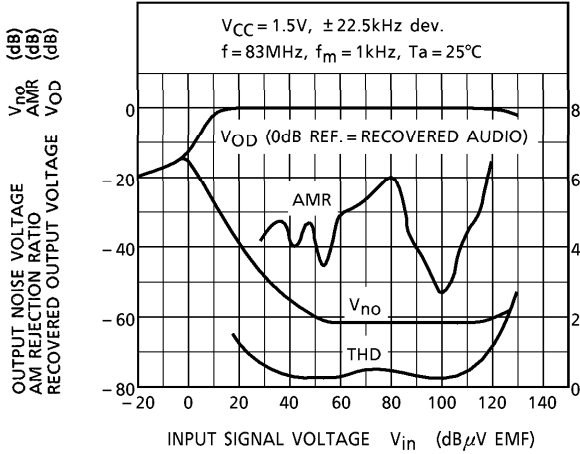
Ⓢ : SUMIDA ELECTRIC Co., Ltd.

COIL STAGE	TEST FREQUENCY	L (μH)	C ₀ (pF)	Q ₀	TURN				WIRE (mm φ)	REFERENCE
					1-2	2-3	1-3	4-6		
L ₁ FM RF	100MHz	0.053	—	100	—	—	1 $\frac{3}{4}$	—	0.5UEW	Ⓢ 0258-000-020
L ₂ FM OSC	100MHz	0.065	—	100	—	—	2 $\frac{1}{4}$	—	0.5UEW	Ⓢ 0258-000-021
T ₁ AM OSC	796kHz	288	—	115	13	73	—	—	0.08UEW	Ⓢ 4147-1356-038
T ₂ AM IFT	455kHz	—	180	120	—	—	180	15	0.06UEW	Ⓢ 2150-2162-165
T ₃ FM DET	10.7MHz	—	82	110	—	—	13	—	0.12UEW	Ⓢ 4152-4095-015

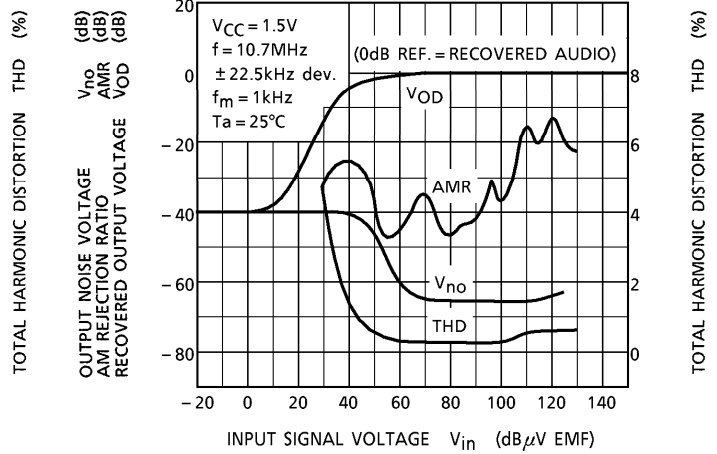


CHARACTERISTICS CURVES

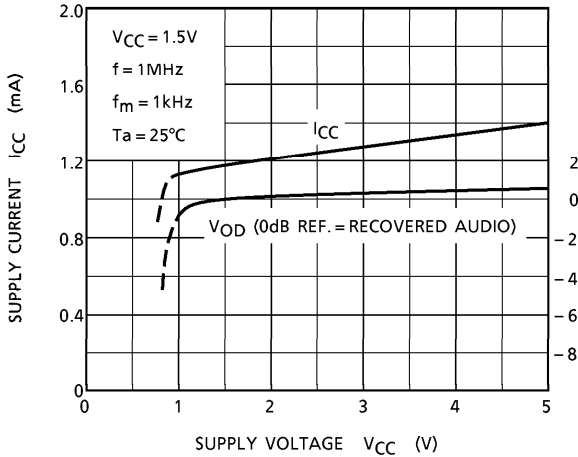
FM (F/E + IF) V_{OD} , AMR, V_{no} , THD - V_{in}



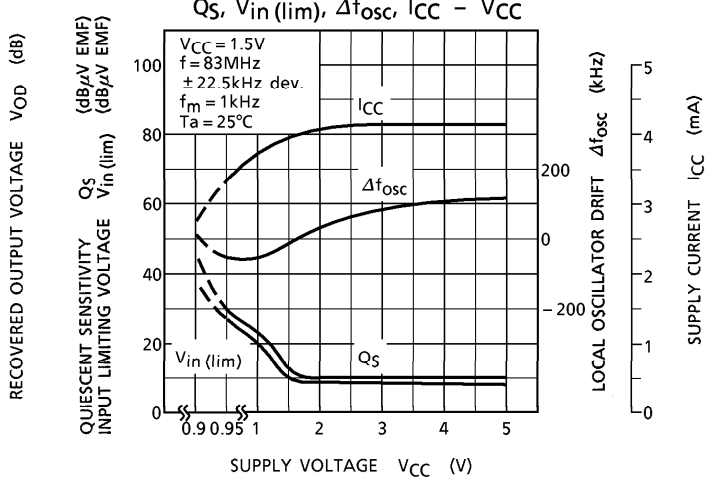
FM (IF) V_{OD} , AMR, V_{no} , THD - V_{in}



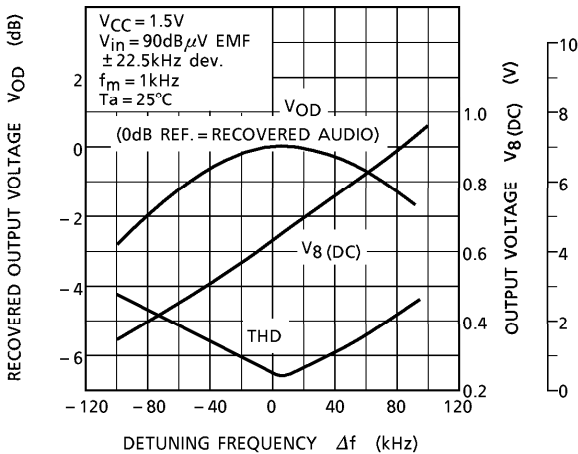
AM I_{CC} , V_{OD} - V_{CC}



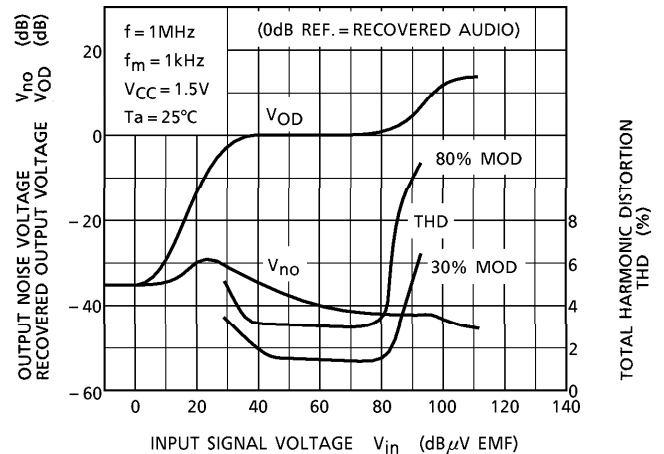
FM (F/E + IF) Q_s , $V_{in}(lim)$, Δf_{osc} , I_{CC} - V_{CC}



FM (IF) V_{OD} , $V_8(DC)$, THD - Δf

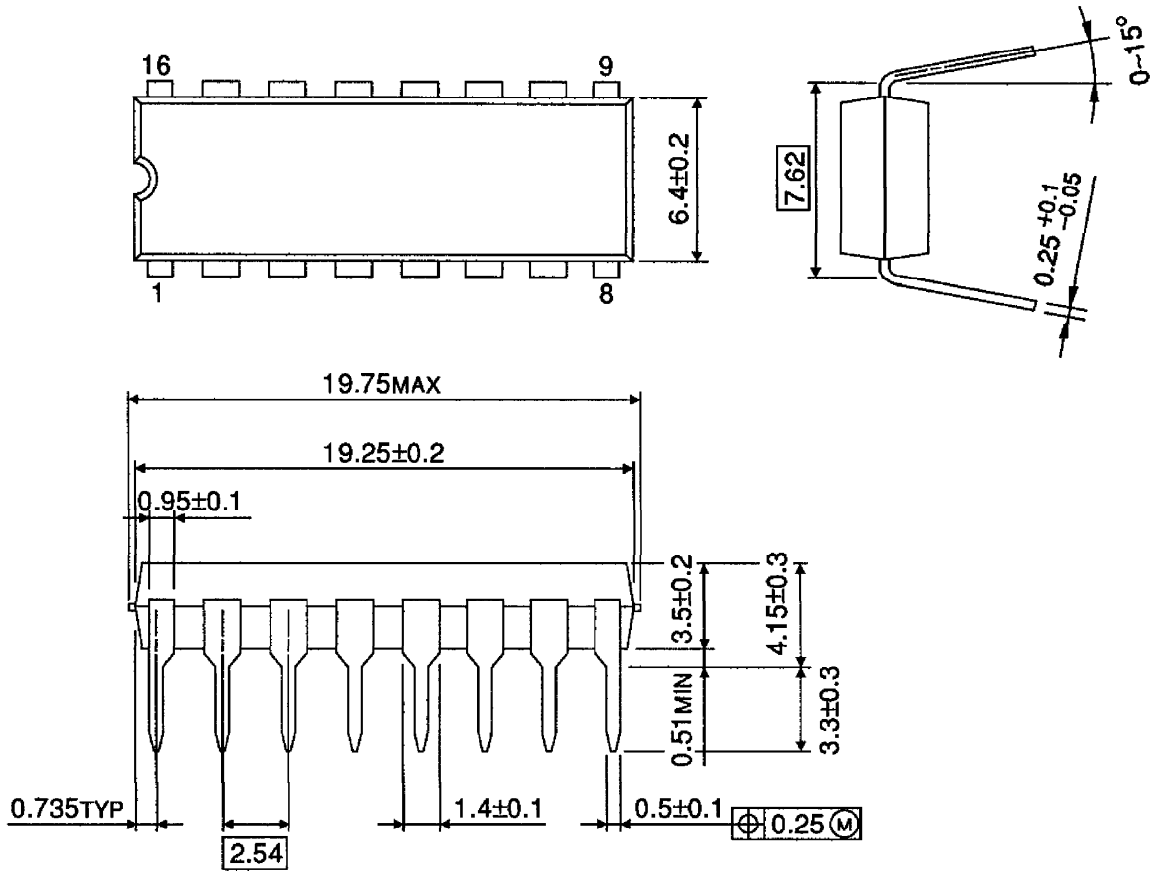


AM V_{OD} , V_{no} , THD - V_{in}



PACKAGE DIMENSIONS
DIP16-P-300-2.54A

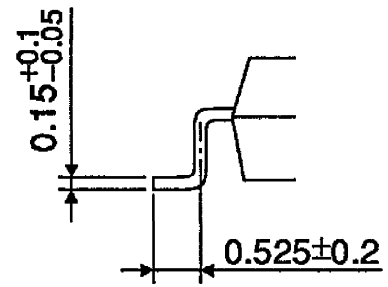
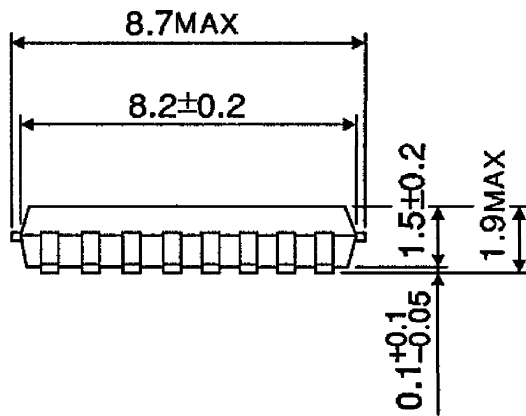
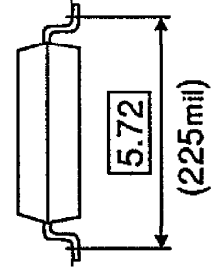
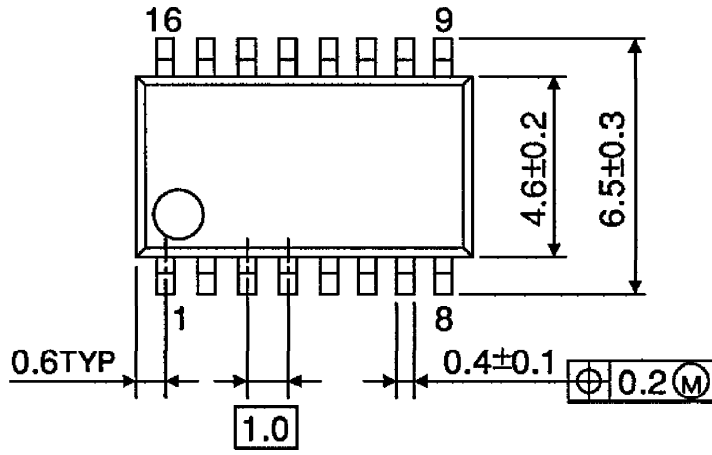
Unit : mm



Weight : 1.00g (Typ.)

PACKAGE DIMENSIONS
SSOP16-P-225-1.00A

Unit : mm



Weight : 0.14g (Typ.)

RESTRICTIONS ON PRODUCT USE

000707EBA

- TOSHIBA is continually working to improve the quality and reliability of its products. Nevertheless, semiconductor devices in general can malfunction or fail due to their inherent electrical sensitivity and vulnerability to physical stress. It is the responsibility of the buyer, when utilizing TOSHIBA products, to comply with the standards of safety in making a safe design for the entire system, and to avoid situations in which a malfunction or failure of such TOSHIBA products could cause loss of human life, bodily injury or damage to property. In developing your designs, please ensure that TOSHIBA products are used within specified operating ranges as set forth in the most recent TOSHIBA products specifications. Also, please keep in mind the precautions and conditions set forth in the "Handling Guide for Semiconductor Devices," or "TOSHIBA Semiconductor Reliability Handbook" etc..
- The TOSHIBA products listed in this document are intended for usage in general electronics applications (computer, personal equipment, office equipment, measuring equipment, industrial robotics, domestic appliances, etc.). These TOSHIBA products are neither intended nor warranted for usage in equipment that requires extraordinarily high quality and/or reliability or a malfunction or failure of which may cause loss of human life or bodily injury ("Unintended Usage"). Unintended Usage include atomic energy control instruments, airplane or spaceship instruments, transportation instruments, traffic signal instruments, combustion control instruments, medical instruments, all types of safety devices, etc.. Unintended Usage of TOSHIBA products listed in this document shall be made at the customer's own risk.
- The products described in this document are subject to the foreign exchange and foreign trade laws.
- The information contained herein is presented only as a guide for the applications of our products. No responsibility is assumed by TOSHIBA CORPORATION for any infringements of intellectual property or other rights of the third parties which may result from its use. No license is granted by implication or otherwise under any intellectual property or other rights of TOSHIBA CORPORATION or others.
- The information contained herein is subject to change without notice.