

# DATA SHEET

**SA5775A**

Differential air core meter driver

Product specification  
Supersedes data of 1997 Feb 24

1999 Sep 20

# Differential air-core meter driver

# SA5775A

## DESCRIPTION

The SA5775A is a monolithic driver for controlling air-core (or differential) meters typically used in automotive instrument cluster applications. The circuit interfaces with a microprocessor through a serial bus and directly drives the air-core meter. The SA5775A has 10-bit resolution (0.35 degree) and is guaranteed to be monotonic. Data can be shifted through the part, allowing several SA5775As to be cascaded with only one chip-select line. On-chip current shut down logic protects the circuit from external faults.

## FEATURES

- 10-Bit resolution (0.35 degrees)
- Exceptional accuracy (0.25 degrees, typical)
- High-torque capability
- Active differential drivers eliminate back-EMF issues
- No RFI/EMI generation issues
- Simple serial interface
- Simple cascading capability for multiple meters
- Internal fault protection
- Only one external component required (bypass capacitor)

## APPLICATION

- Instrumentation utilizing air-core meters

## PIN CONFIGURATION

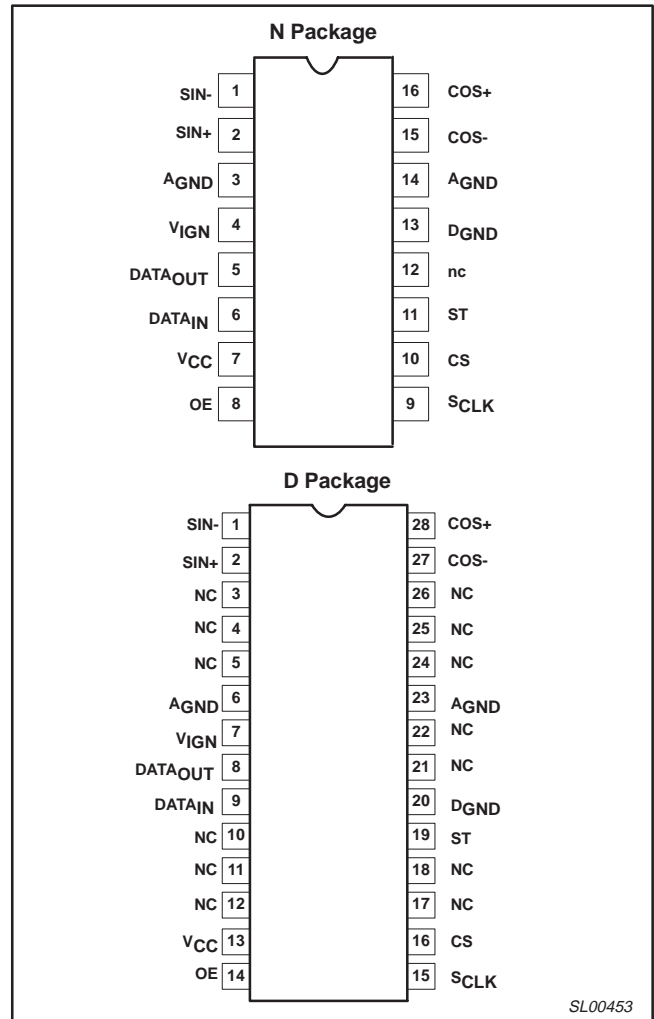


Figure 1. Pin configuration

## ORDERING INFORMATION

DESCRIPTION	TEMPERATURE RANGE	ORDER CODE	DWG #
16-Pin Plastic Dual In-Line Package (DIP)	-40 to +85°C	SA5775AN	SOT38-4
28-Pin Small Outline Package (SO)	-40 to +85°C	SA5775AD	SOT136-1

# Differential air-core meter driver

# SA5775A

## BLOCK DIAGRAM

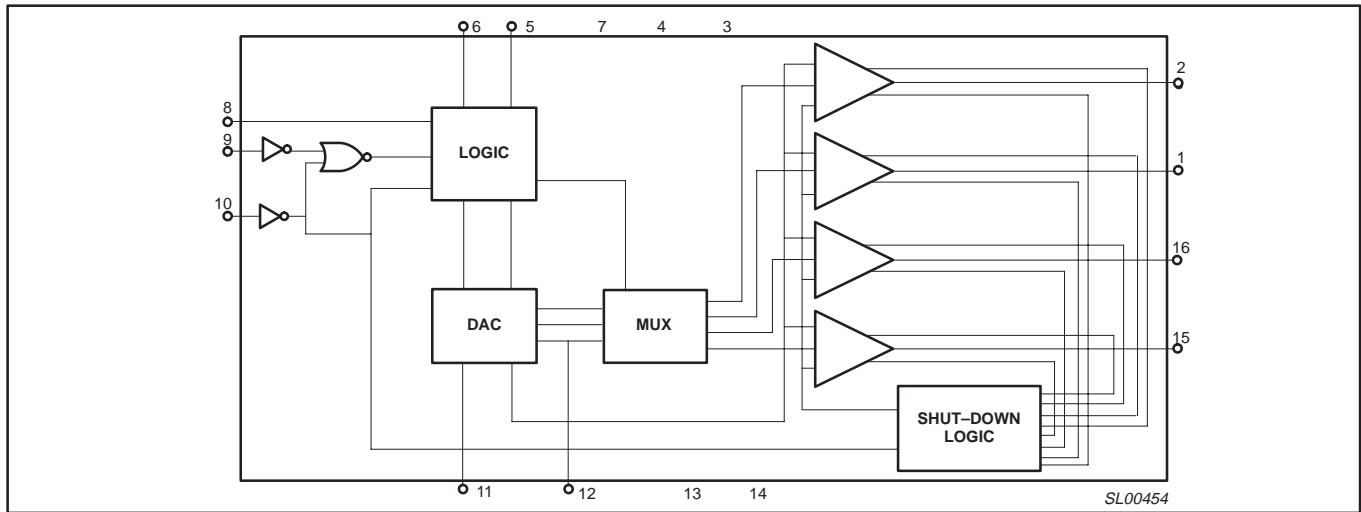


Figure 2. Block diagram

Table 1. SA5775A Pin Descriptions for the N Package (Dual In-Line)

Pin #	Name	Function
1.	SIN-	Negative output connection to the SIN coil of the gauge.
2.	SIN+	Positive output connection to the SIN coil of the gauge.
3.	A <sub>GND</sub>	Ground for V <sub>IGN</sub> supply. Pins 3, 13 and 14 connected on the circuit board.
4.	V <sub>BB</sub>	Analog supply. Nominally 14.0 V.
5.	DATA <sub>OUT</sub>	Serial data output. Output of the internal shift register. When a new data word is shifted in, the old word is shifted out the DATA <sub>OUT</sub> pin.
6.	DATA <sub>IN</sub>	Serial data input. A new data word is serially shifted into the part on the rising edge of S <sub>CLK</sub> . The data is shifted in MSB first.
7.	V <sub>CC</sub>	5 V logic supply. The internal latches and registers are set to zero on the rising edge of this signal.
8.	OE	Output drivers are turned off when this input is low. Current draw is minimized.
9.	S <sub>CLK</sub>	Serial clock input. Data is loaded into the part on the rising edge of S <sub>CLK</sub> .
10.	CS	Active high chip select input. When CS is high, the part is enabled to receive a new serial input word. The high-to-low transition of CS loads the new 10-bit word into the DAC registers and updates the output.
11.	ST	Status output from this IC to indicate that the outputs have been disabled. The outputs may be disabled due to shorted outputs, over temperature conditions, power up reset, or output enable control pin. This output is an open drain output. Multiple status outputs may be wire OR'ed together. This output is low when the outputs are disabled due to a fault condition.
12.	nc	Not connected
13.	D <sub>GND</sub>	Ground for V <sub>CC</sub> supply. Connect to Pins 3 and 14.
14.	A <sub>GND</sub>	Ground for V <sub>BB</sub> supply. Connect to Pins 3 and 13.
15.	COS-	Negative output connection to the COS coil of the gauge.
16.	COS+	Positive output connection to the COS coil of the gauge.

## Differential air-core meter driver

SA5775A

Table 2. SA5775A Pin Descriptions for the D Package (Small Outline)

Pin #	Name	Function
1.	SIN-	Negative output connection to the SIN coil of the gauge.
2.	SIN+	Positive output connection to the SIN coil of the gauge.
3.	NC	No connect
4.	NC	No connect
5.	NC	No connect
6.	A <sub>GND</sub>	Ground for V <sub>IGN</sub> supply. Pins 6, 20 and 23 connected on the circuit board.
7.	V <sub>IGN</sub>	Analog supply. Nominally 14.0V.
8.	DATA <sub>OUT</sub>	Serial data output. Output of the internal shift register. When a new data word is shifted in, the old word is shifted out the DATA <sub>OUT</sub> pin.
9.	DATA <sub>IN</sub>	Serial data input. A new data word is serially shifted into the part on the rising edge of S <sub>CLK</sub> . The data is shifted in MSB first.
10.	NC	No connect
11.	NC	No connect
12.	NC	No connect
13.	V <sub>CC</sub>	5 V logic supply. The internal latches and registers are set to zero on the rising edge of this signal.
14.	OE	Output drivers are turned off when this input is low. Current draw is minimized.
15.	S <sub>CLK</sub>	Serial clock input. Data is loaded into the part on the rising edge of S <sub>CLK</sub> .
16.	CS	Active high chip select input. When CS is high, the part is enabled to receive a new serial input word. The high-to-low transition of CS loads the new 10-bit word into the DAC registers and updates the output.
17.	NC	No connect
18.	NC	No connect
19.	ST	Status output from this IC to indicate that the outputs have been disabled. The outputs may be disabled due to shorted outputs, over temperature conditions, power up reset, or output enable control pin. This output is an open drain output. Multiple status outputs may be wire OR'ed together. This output is low when the outputs are disabled due to a fault condition.
20.	D <sub>GND</sub>	Ground for V <sub>CC</sub> supply. Connect to Pins 6 and 23.
21.	NC	No connect
22.	NC	No connect
23.	A <sub>GND</sub>	Ground for V <sub>BB</sub> supply. Connect to Pins 6 and 20.
24.	NC	No connect
25.	NC	No connect
26.	NC	No connect
27.	COS-	Negative output connection to the COS coil of the gauge.
28.	COS+	Positive output connection to the COS coil of the gauge.

## ABSOLUTE MAXIMUM RATINGS

SYMBOL	PARAMETER	RATING	UNIT
V <sub>IGN</sub>	Analog supply	-1 to +23	V
V <sub>CC</sub>	Digital supply	-1 to +6	V
D <sub>GND</sub> to A <sub>GND</sub>	Ground difference	-0.3 to +0.3	V
V <sub>IN</sub>	Digital input voltage, Data In, OE, CS, S <sub>CLK</sub>	-1 to +7	V
P <sub>D</sub>	Power dissipation (T <sub>A</sub> = 25°C) <sup>1</sup> D and N packages	1500	mW
T <sub>A</sub>	Ambient operating temperature	-40 to +85	°C
T <sub>J</sub>	Junction temperature	150	°C
θ <sub>JA</sub>	DIP and SO packages	90	°C/W

## NOTE:

- For power dissipation ratings in still air, derate above 25°C at the following rates:  
D and N packages at 12mW/°C

# Differential air-core meter driver

# SA5775A

## DC ELECTRICAL CHARACTERISTICS

$V_{IGN} = 7.5$  to  $18$  V;  $V_{CC} = 4.5$  to  $5.5$  V;  $T_A = -40$  to  $+85^\circ\text{C}$ .

SYMBOL	PARAMETER	TEST CONDITIONS	LIMITS			UNIT
			MIN	TYP	MAX	
$V_{IGN}$	Ignition supply voltage		7.5		18	V
$I_{IGN}$	Ignition supply current	$V_{IGN} = 18$ V no load $V_{BB} = 18$ V with load $R_{LC}, R_{LS} = R_{LMIN}^{1,2}$			25 160	mA
$I_{CC}$	Logic supply current	$V_{CC} = 5.5$ V			1	mA
$V_{OH}$	Output high voltage	Data out $I_{OH} = 300$ $\mu\text{A}$	$V_{CC} - 0.8$			
$V_{OL}$	Output low voltage	Data out $I_{OL} = 1.5$ mA			0.4	V
$V_{OL}$ Status		$I_{OL} = 2.8$ mA			0.8	V
$I_{OH}$ Status		ST, $V_{CC} = 5$ V			25	$\mu\text{A}$
$V_{IH}$	Input high voltage	CS, $S_{CLK}$ , $DATA_{IN}$	$0.7 \times V_{CC}$			V
$V_{IL}$	Input low voltage	CS, $S_{CLK}$ , $DATA_{IN}$			$0.3 \times V_{CC}$	V
$I_{IH}$	Input high current	CS, $S_{CLK}$ , $DATA_{IN}$ , $V_{IN} = 0.7 \times V_{CC}$			10	$\mu\text{A}$
$I_{IL}$	Input low current	CS, $S_{CLK}$ , $DATA_{IN}$ , $V_{IN} = 0.3 \times V_{CC}$			10	$\mu\text{A}$
ACC	Output function accuracy <sup>3</sup>	$R_{LC}, R_{LS} = R_{LMIN}$	-0.5		0.5	Degree
$I_{SD}$	Output shut-down current	COS+, COS-, SIN+, SIN- $I_{SINK}$ $V_{IGN} = V_{IGN} (MAX)$ $V_{IGN} = V_{IGN} (MIN)$ $I_{SOURCE}$ $V_{IGN} = V_{IGN} (MAX)$ $V_{IGN} = V_{IGN} (MIN)$	97 43 85 43		500 300 500 300	mA mA mA mA
$V_{DRIVE}$	Coil drive voltage	$V_{IGN} = V_{IGN} (MAX)$ $V_{IGN} = V_{IGN} (MIN)$	68		78	$\%V_{IGN}$
$R_{LMIN}$	Minimum load resistance	$T_A = 85^\circ\text{C}$ $T_A = 25^\circ\text{C}$ $T_A = -40^\circ\text{C}$	215 171 138			$\Omega$ $\Omega$ $\Omega$

**NOTE:**

1. See Test Circuit.
2. Maximum current is when output is 45 degrees;  $T_A = -40^\circ\text{C}$ , and  $R_L = 138 \Omega$ .
3. See Table "Output function accuracy"

**Table 3. Output function accuracy**

Ideal	Nominal	Input Code
0	0.176	0
45	45.176	128
90	90.176	256
135	135.176	384
180	180.176	512
225	225.176	640
270	270.176	768
360	359.820	1023
<b>N = Binary Input Code</b>		
<b>Equation for Output Angle (<math>\theta</math>) vs Output Voltage</b>		
Quadrant	Equation	
I	$\theta = \tan^{-1}   [(SIN+) - (SIN-)] / [(COS+) - (COS-)]  $	
II	$\theta = 180^\circ + \tan^{-1}   [(SIN+) - (SIN-)] / [(COS+) - (COS-)]  $	
III	$\theta = 180^\circ + \tan^{-1}   [(SIN+) - (SIN-)] / [(COS+) - (COS-)]  $	
IV	$\theta = 360^\circ + \tan^{-1}   [(SIN+) - (SIN-)] / [(COS+) - (COS-)]  $	

# Differential air-core meter driver

# SA5775A

## AC ELECTRICAL CHARACTERISTICS

$V_{DD} = 7.5$  to  $18$  V;  $V_{CC} = 4.5$  to  $5.5$  V;  $T_A = -40$  to  $+85^\circ\text{C}$

SYMBOL	PARAMETER	TEST CONDITIONS	LIMITS			UNIT
			MIN	TYP	MAX	
$F_{SCLK}$	Input frequency				1.6	MHz
$T_{SCLKH}$	SCLK high time		175			ns
$T_{SCLKL}$	SCLK low time	$V_{CC} = 5.5$ V	175			ns
TRO	Output rise time DO	$0.75$ to $V_{CC} - 1.2$ V, $C_L = 90$ pF			75	ns
TFO	Output fall time DO	$V_{CC} - 1.2$ V to $0.75$ , $C_L = 90$ pF			75	ns
TSU	DI set-up time		75			ns
THI	DI hold time		75			ns

## TYPICAL APPLICATION

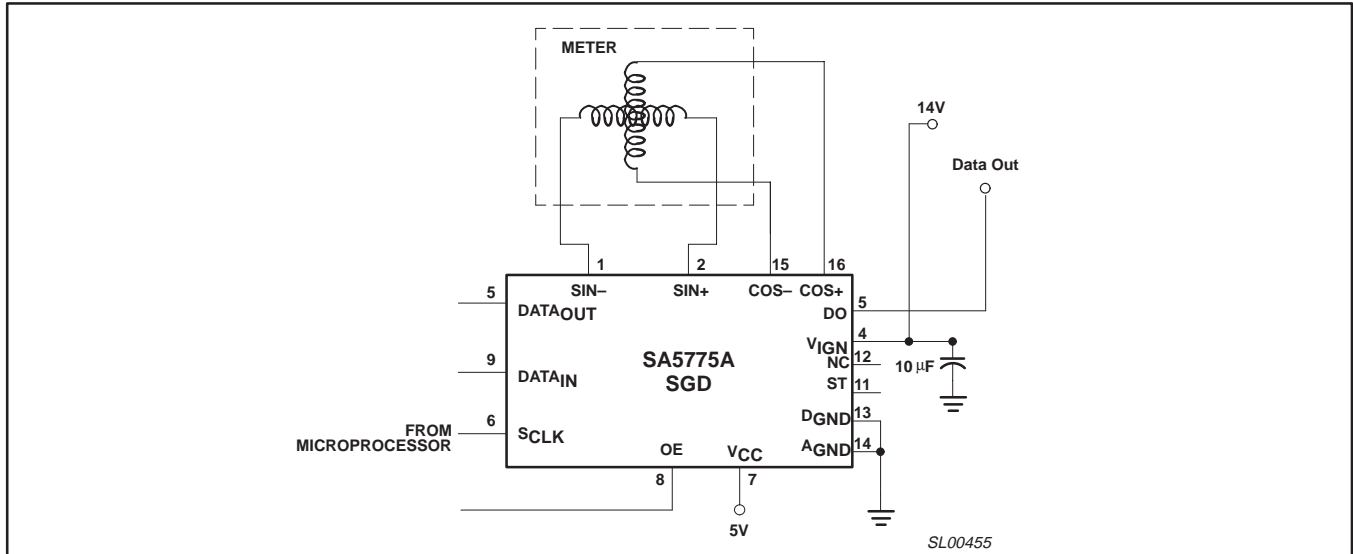


Figure 3. Typical application

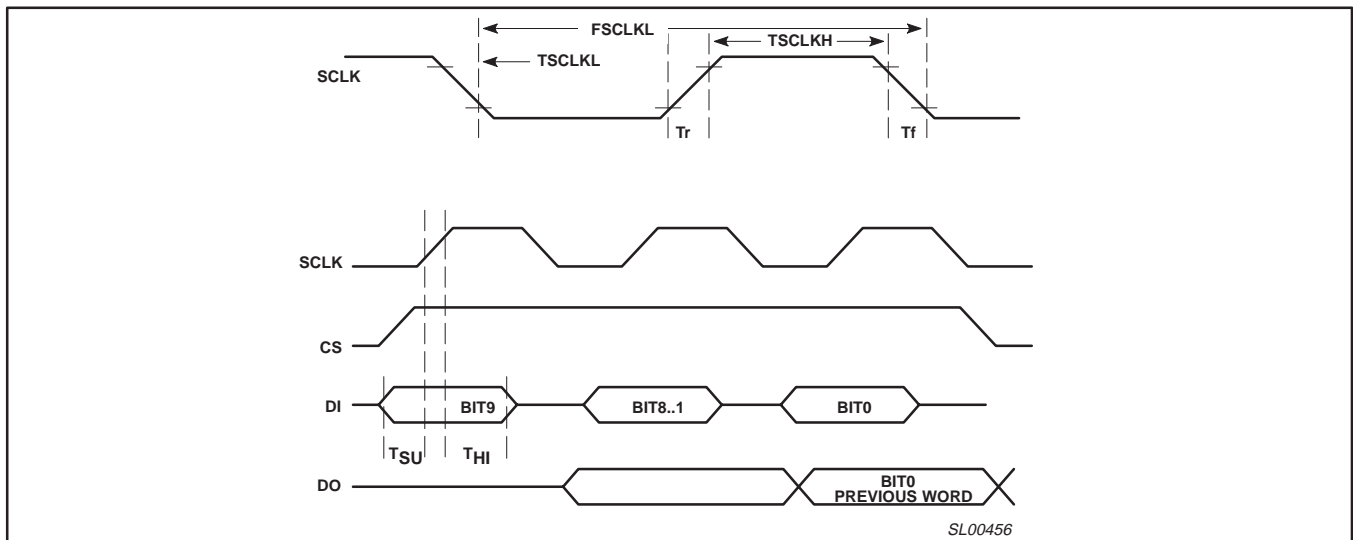


Figure 4. Serial interface timing

# Differential air-core meter driver

# SA5775A

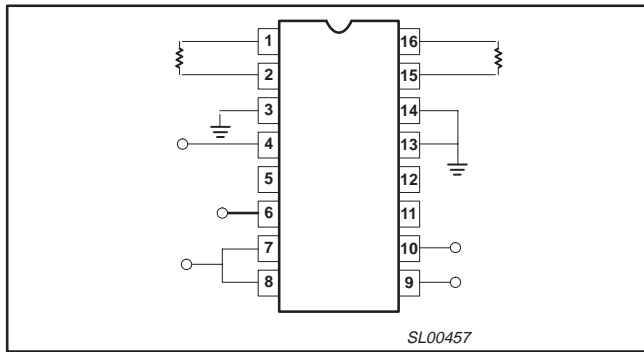


Figure 5. SA5775A Test circuit, N package

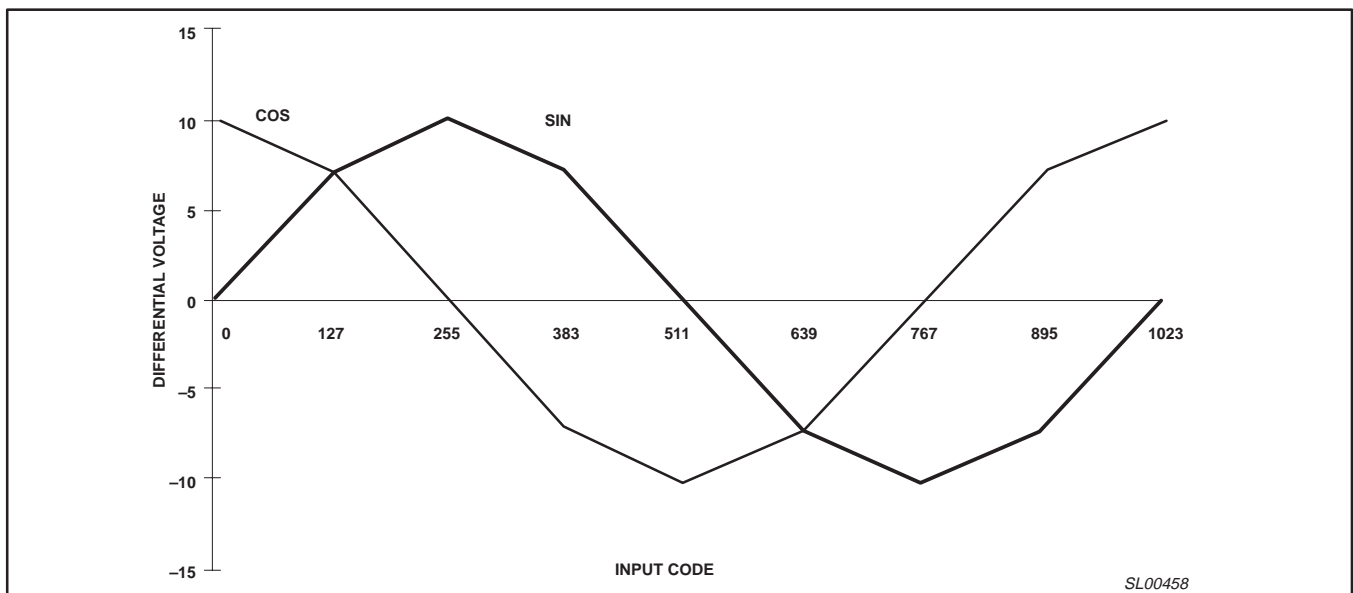


Figure 6. SA5775A output voltages ( $V_{IGN} = 14\text{ V}$ )

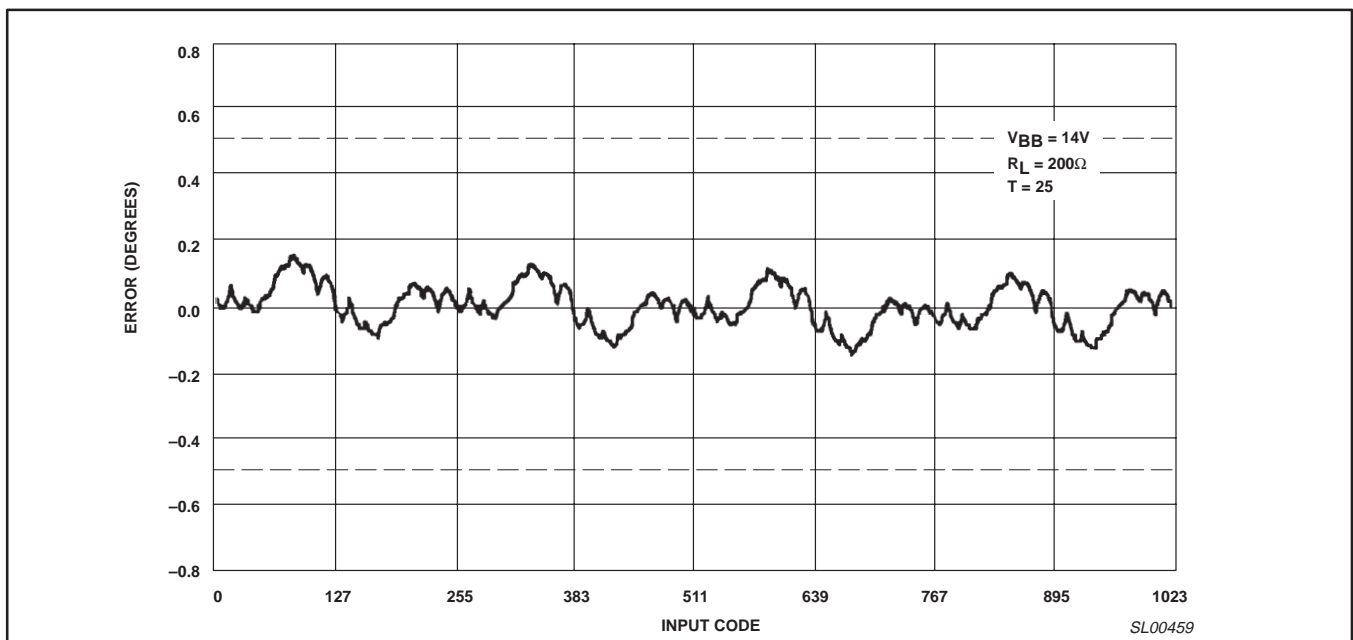


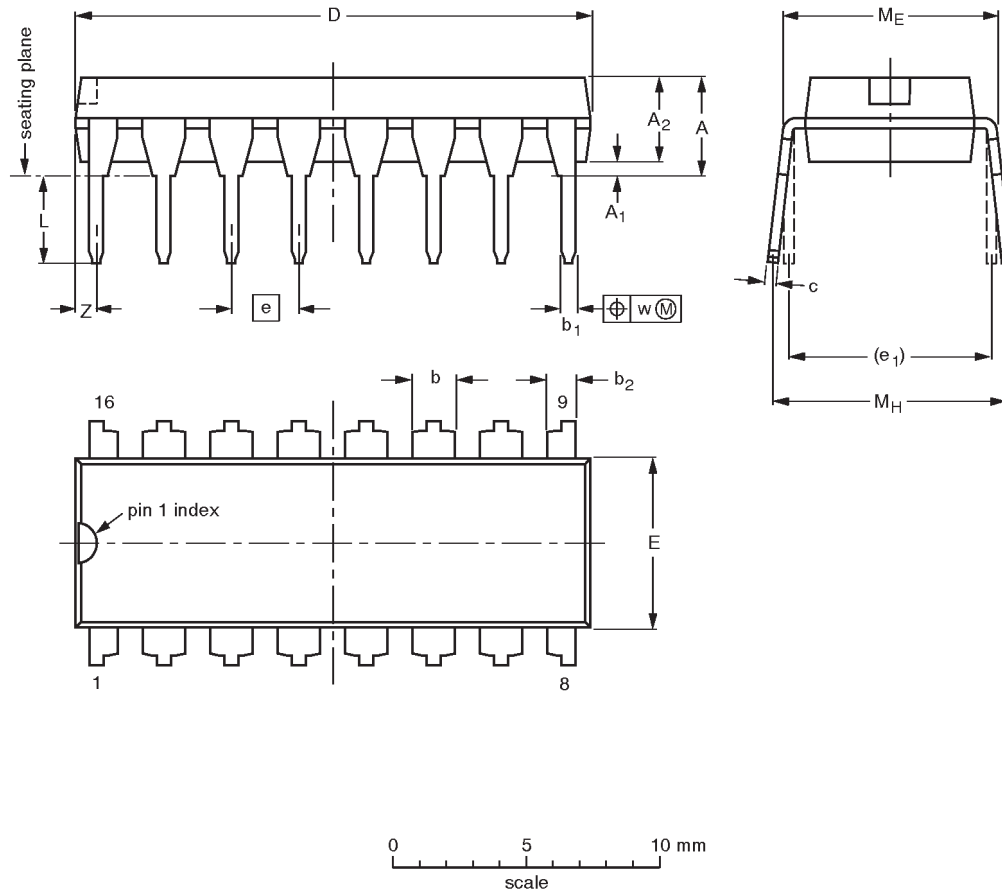
Figure 7. Error graph

# Differential air-core meter driver

# SA5775A

DIP16: plastic dual in-line package; 16 leads (300 mil)

SOT38-4



**DIMENSIONS (inch dimensions are derived from the original mm dimensions)**

UNIT	A max.	A <sub>1</sub> min.	A <sub>2</sub> max.	b	b <sub>1</sub>	b <sub>2</sub>	c	D <sup>(1)</sup>	E <sup>(1)</sup>	e	e <sub>1</sub>	L	M <sub>E</sub>	M <sub>H</sub>	w	Z <sup>(1)</sup> max.
mm	4.2	0.51	3.2	1.73 1.30	0.53 0.38	1.25 0.85	0.36 0.23	19.50 18.55	6.48 6.20	2.54	7.62	3.60 3.05	8.25 7.80	10.0 8.3	0.254	0.76
inches	0.17	0.020	0.13	0.068 0.051	0.021 0.015	0.049 0.033	0.014 0.009	0.77 0.73	0.26 0.24	0.10	0.30	0.14 0.12	0.32 0.31	0.39 0.33	0.01	0.030

**Note**

1. Plastic or metal protrusions of 0.25 mm maximum per side are not included.

OUTLINE VERSION	REFERENCES				EUROPEAN PROJECTION	ISSUE DATE
	IEC	JEDEC	EIAJ			
SOT38-4						-92-11-17 95-01-14

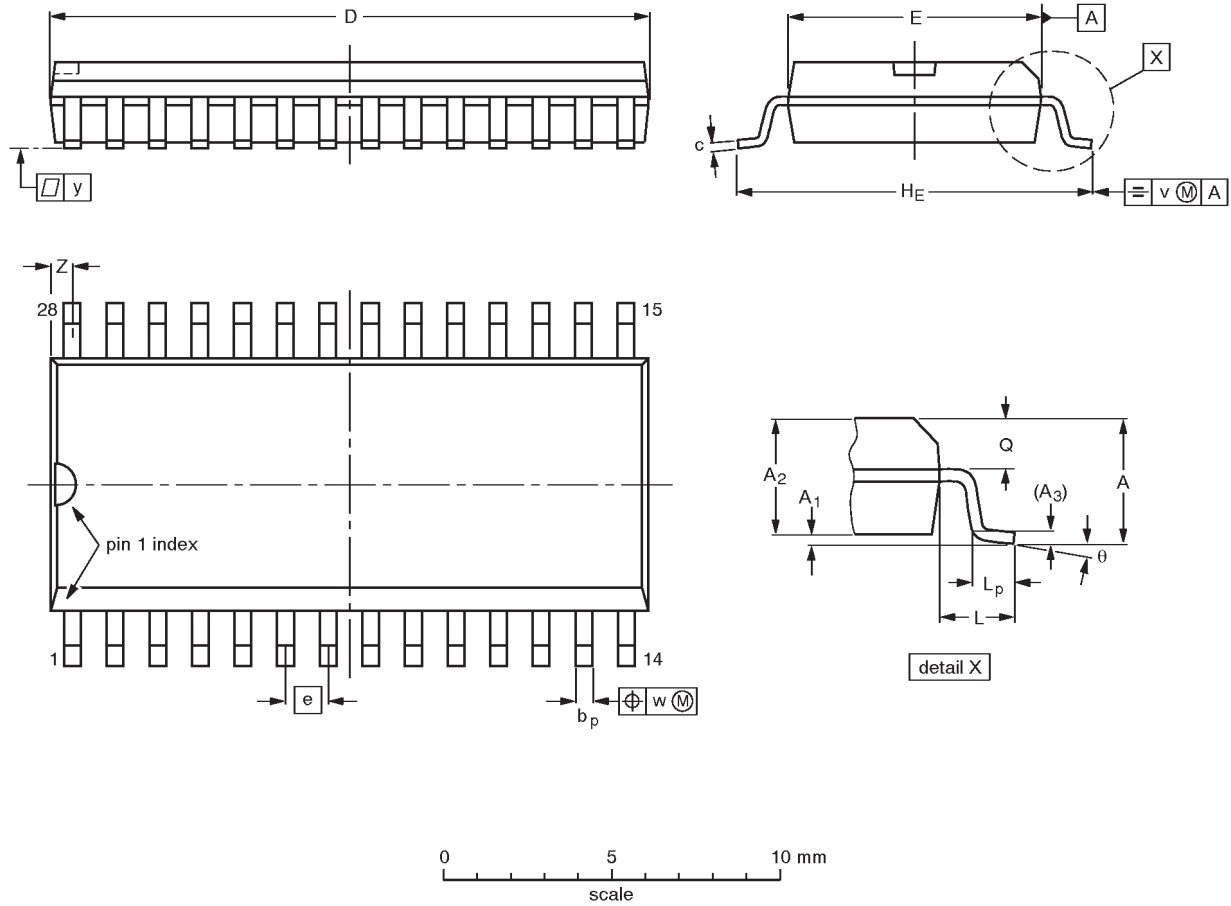


# Differential air-core meter driver

# SA5775A

**SO28: plastic small outline package; 28 leads; body width 7.5mm**

**SOT136-1**



**DIMENSIONS (inch dimensions are derived from the original mm dimensions)**

UNIT	A max.	A <sub>1</sub>	A <sub>2</sub>	A <sub>3</sub>	b <sub>p</sub>	c	D <sup>(1)</sup>	E <sup>(1)</sup>	e	H <sub>E</sub>	L	L <sub>p</sub>	Q	v	w	y	Z <sup>(1)</sup>	θ
mm	2.65	0.30 0.10	2.45 2.25	0.25	0.49 0.36	0.32 0.23	18.1 17.7	7.6 7.4	1.27	10.65 10.00	1.4	1.1 0.4	1.1 1.0	0.25	0.25	0.1	0.9 0.4	8° 0°
inches	0.10	0.012 0.004	0.096 0.089	0.01	0.019 0.014	0.013 0.009	0.71 0.69	0.30 0.29	0.050	0.42 0.39	0.055	0.043 0.016	0.043 0.039	0.01	0.01	0.004	0.035 0.016	

**Note**

1. Plastic or metal protrusions of 0.15 mm maximum per side are not included.

OUTLINE VERSION	REFERENCES			EUROPEAN PROJECTION	ISSUE DATE
	IEC	JEDEC	EIAJ		
SOT136-1	075E06	MS-013AE			91-08-13 95-01-24

## Differential air-core meter driver

SA5775A

## Data sheet status

Data sheet status	Product status	Definition [1]
Objective specification	Development	This data sheet contains the design target or goal specifications for product development. Specification may change in any manner without notice.
Preliminary specification	Qualification	This data sheet contains preliminary data, and supplementary data will be published at a later date. Philips Semiconductors reserves the right to make changes at any time without notice in order to improve design and supply the best possible product.
Product specification	Production	This data sheet contains final specifications. Philips Semiconductors reserves the right to make changes at any time without notice in order to improve design and supply the best possible product.

[1] Please consult the most recently issued datasheet before initiating or completing a design.

## Definitions

**Short-form specification** — The data in a short-form specification is extracted from a full data sheet with the same type number and title. For detailed information see the relevant data sheet or data handbook.

**Limiting values definition** — Limiting values given are in accordance with the Absolute Maximum Rating System (IEC 134). Stress above one or more of the limiting values may cause permanent damage to the device. These are stress ratings only and operation of the device at these or at any other conditions above those given in the Characteristics sections of the specification is not implied. Exposure to limiting values for extended periods may affect device reliability.

**Application information** — Applications that are described herein for any of these products are for illustrative purposes only. Philips Semiconductors make no representation or warranty that such applications will be suitable for the specified use without further testing or modification.

## Disclaimers

**Life support** — These products are not designed for use in life support appliances, devices or systems where malfunction of these products can reasonably be expected to result in personal injury. Philips Semiconductors customers using or selling these products for use in such applications do so at their own risk and agree to fully indemnify Philips Semiconductors for any damages resulting from such application.

**Right to make changes** — Philips Semiconductors reserves the right to make changes, without notice, in the products, including circuits, standard cells, and/or software, described or contained herein in order to improve design and/or performance. Philips Semiconductors assumes no responsibility or liability for the use of any of these products, conveys no license or title under any patent, copyright, or mask work right to these products, and makes no representations or warranties that these products are free from patent, copyright, or mask work right infringement, unless otherwise specified.

Philips Semiconductors  
811 East Arques Avenue  
P.O. Box 3409  
Sunnyvale, California 94088–3409  
Telephone 800-234-7381

© Copyright Philips Electronics North America Corporation 1999  
All rights reserved. Printed in U.S.A.

Date of release: 09-99

Document order number:

9397 750 06445

*Let's make things better.*

Philips  
Semiconductors



**PHILIPS**