

OVERVIEW

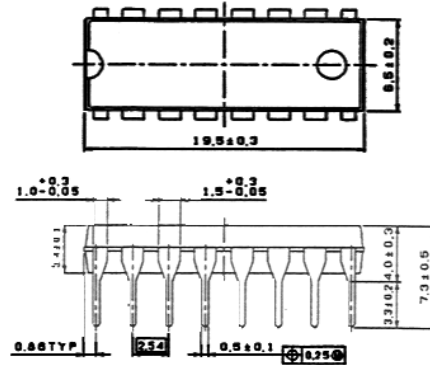
The SM5133SP is a CMOS-LSI that incorporates a PLL for wireless communications. It features 16 communication channels and parallel inputs for communication channel selection. It operates from a 2.4 to 5.5V supply and is available in 16-pin DIP.

FEATURES

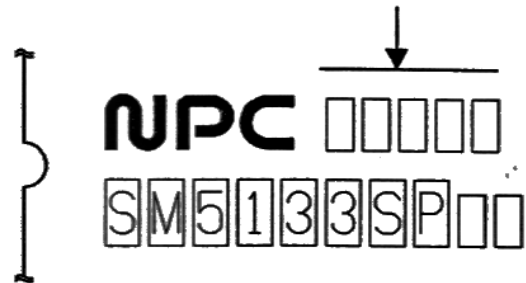
- 16 communication channels
- Parallel channel selection
- 60MHz maximum operating frequency
- 300mV_{p-p} (min) input sensitivity
- 5kHz reference frequency
- Molybdenum-gate CMOS process
- 2.4 to 5.5V supply voltage
- 16-pin plastic DIP

PACKAGE DIMENSIONS

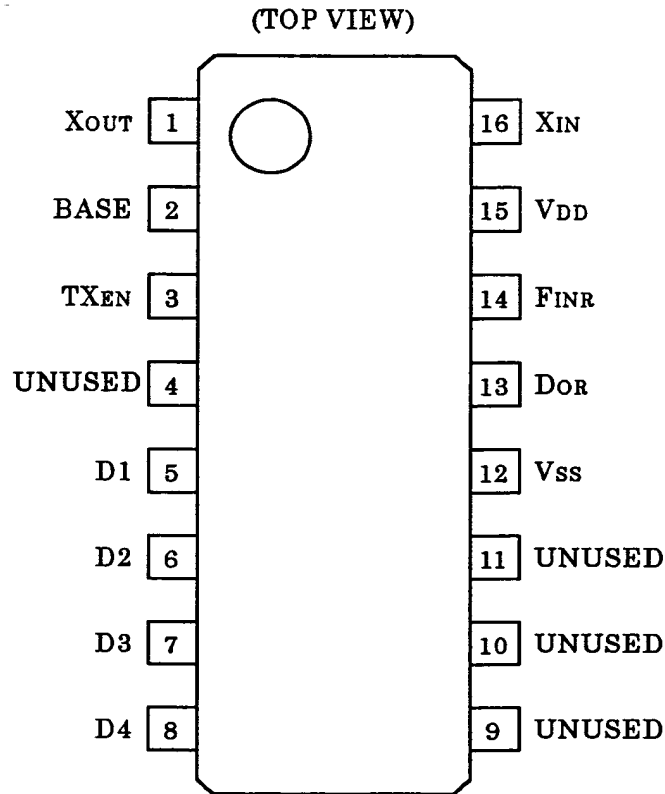
Unit : mm
Weight : 1.01g



DATE CODE



PINOUT (Top View)



SPECIFICATIONS

Absolute Maximum Ratings

| Parameter | Symbol | Rating | Unit |
|-----------------------------|-----------------|----------------------|------|
| Supply voltage range | $V_{DD}-V_{SS}$ | -0.3 to 7.0 | V |
| Input voltage range | V_{IN} | V_{SS} to V_{DD} | V |
| Operating temperature range | T_{OPR} | -30 to 80 | °C |
| Storage temperature range | T_{STG} | -40 to 125 | °C |

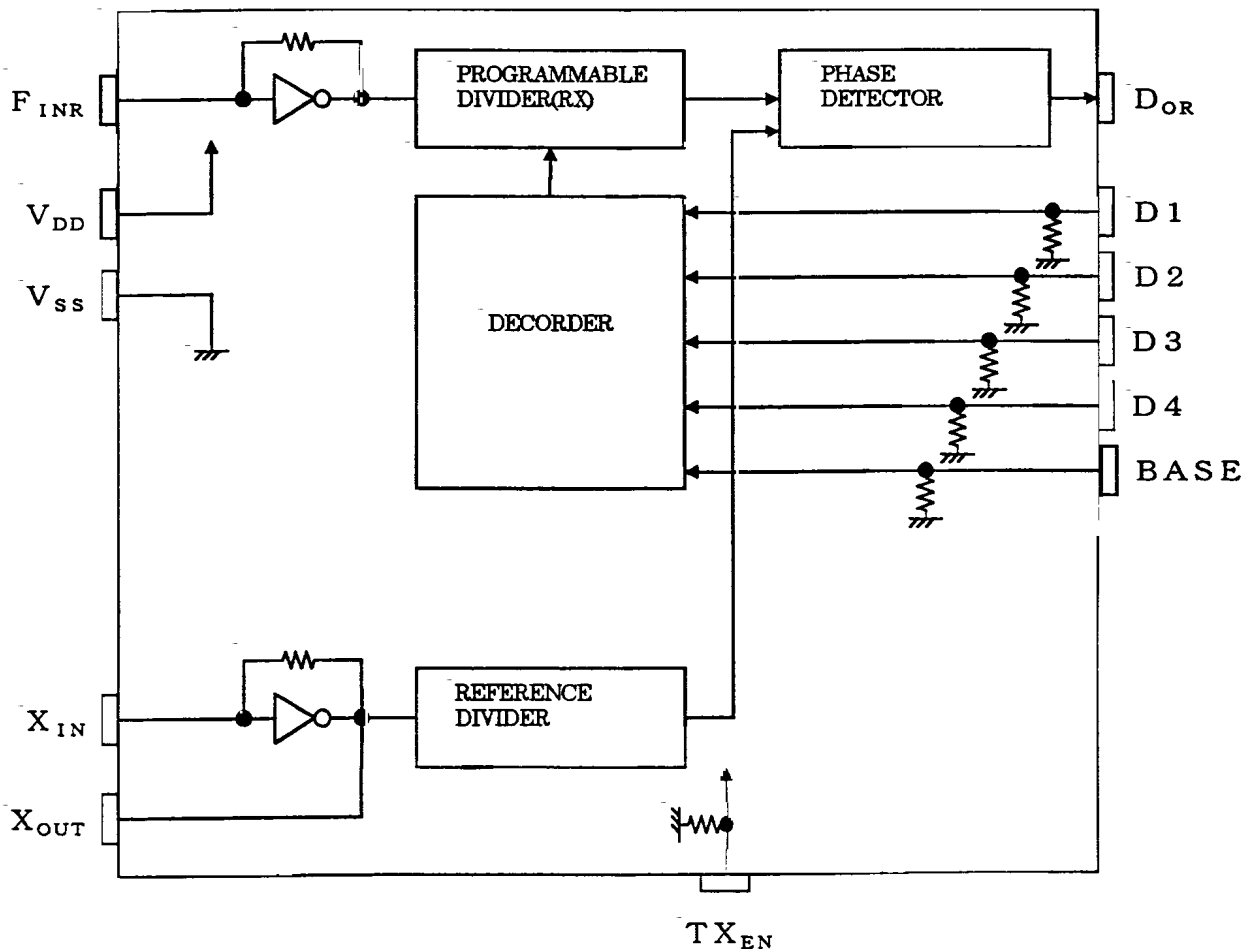
Electrical Characteristics

| Parameter | Symbol | Condition | Rating | | | Unit |
|---|-----------|---|--------------|-----|--------------|-----------|
| | | | min | typ | max | |
| Supply voltage range | V_{DD} | | 2.4 | | 5.5 | V |
| Current consumption | I_{DD} | $V_{DD}=3.0V$ $TX_{EN}=LOW$ $F_{RX}=57.3000MHz$ $V_{INR}=300mV_{P-P}$ Sine wave | | 2.5 | 5.0 | mA |
| | | $V_{DD}=5.0V$ $TX_{EN}=LOW$ $F_{RX}=57.3000MHz$ $V_{INR}=300mV_{P-P}$ Sine wave | | 9.5 | | |
| F_{INR} Maximum receive operating frequency | f_{RX} | $V_{INR}=300mV_{P-P}$ Sine Wave | 60 | | | MHz |
| F_{INR} input amplitude | V_{INR} | $F_{RX}=60MHz, f_{XIN}=10.24MHz$ Sine Wave | 0.3 | | $V_{DD}-0.5$ | V_{P-P} |
| X_{IN} input amplitude | V_{INX} | | 0.8 | | $V_{DD}-0.5$ | |
| D1 to D4, BASE and TX_{EN} HIGH-level input current | I_{IH} | $V_{IH}=V_{DD}$ | | | 300 | μA |
| DOR HIGH-level output current | I_{OH} | $V_{OH}=V_{DD}-0.4V$ | 0.4 | | | mA |
| DOR LOW-level output current | I_{OL} | $V_{OL}=0.4V$ | 0.4 | | | |
| D1 to D4, BASE and TX_{EN} HIGH-level input voltage | V_{IH} | | $V_{DD}-0.4$ | | V_{DD} | V |
| D1 to D4, BASE and TX_{EN} LOW-level input voltage | V_{IL} | | 0 | | 0.4 | |

PIN DESCRIPTION

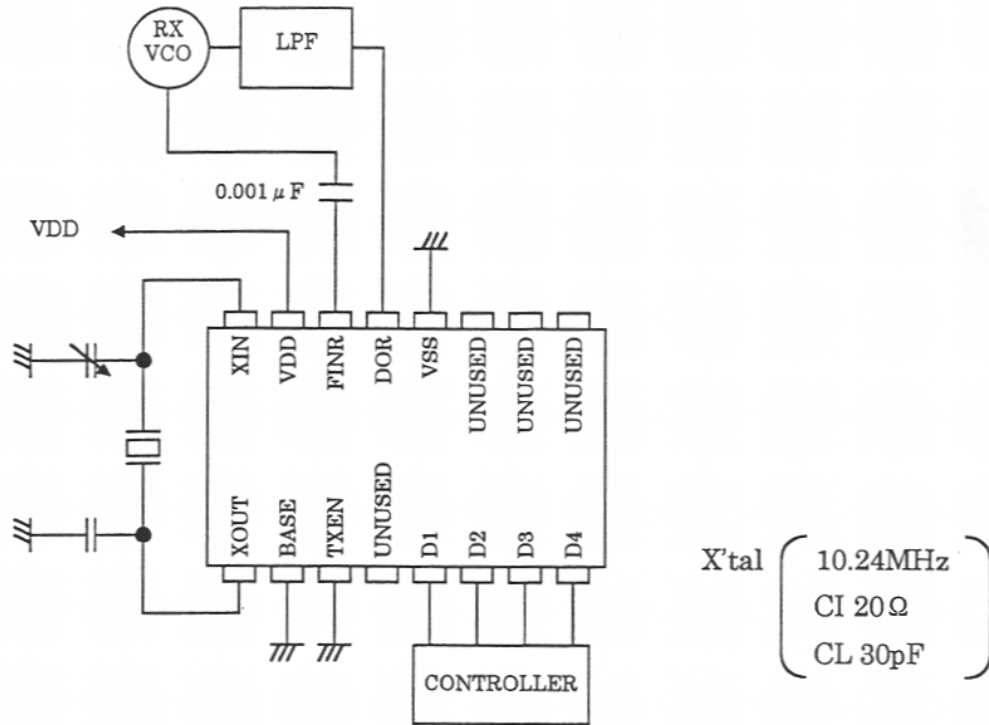
| No. | Name | I/O | Function |
|------|------------------|-----|---|
| 1 | X _{OUT} | O | Crystal oscillator (10.24MHz) and capacitor connection. |
| 2 | BASE | I | Mode setting pin. Should be left open or grounded. Internal pull-down resistor. |
| 3 | TX _{EN} | I | Test pin. Should be left open or grounded. Internal pull-down resistor. |
| 4 | UNUSED | - | Unused pin. Should be left open. |
| 5-8 | D1 to D4 | I | Communication channel select parallel data input. See the Communication Channel Selection. Internal pull-down resistor. |
| 9-11 | UNUSED | - | Unused pin. Should be left open. |
| 12 | V _{SS} | - | Ground. |
| 13 | D _{OR} | O | Passive lowpass filter connection. |
| 14 | F _{INR} | I | Programmable divider input. Internal feedback resistor. Allows AC coupling. |
| 15 | V _{DD} | - | 2.4 to 5.5V supply voltage. |
| 16 | X _{IN} | I | Crystal oscillator and capacitor connection. Internal feedback resistor. |

BLOCK DIAGRAM



Downloaded from Elcodis.com electronic components distributor

TYPICAL APPLICATIONS



*Notes

LPF should be a passive type.

Frequency of VCO should be increased when input voltage shifts higher.

Communication Channel Selection

The SM5133SP has parallel inputs for communication channel selection.
The states of D1 to D4 are used to select to one of the available channels.

| BASE | D4 | D3 | D2 | D1 | Channel | TX _{EN} =0 (f _{REF} =5.0kHz) | |
|------|----|----|----|----|---------|--|--------|
| | | | | | | f _{VCO} (MHz) | N |
| 0 | 0 | 0 | 0 | 1 | 1 | 32.390 | 6478 |
| | 0 | 0 | 1 | 0 | 2 | 32.395 | 6479 |
| | 0 | 0 | 1 | 1 | 3 | 32.400 | 6480 |
| | 0 | 1 | 0 | 0 | 4 | 32.405 | 6481 |
| | 0 | 1 | 0 | 1 | 5 | 32.410 | 6482 |
| | 0 | 1 | 1 | 0 | 6 | 32.415 | 6483 |
| | 0 | 1 | 1 | 1 | 7 | 32.420 | 6484 |
| | 1 | 0 | 0 | 0 | 8 | 32.420 | 6484 |
| | 1 | 0 | 0 | 1 | 9 | 32.420 | 6484 |
| | 1 | 0 | 1 | 0 | 10 | 32.420 | 6484 |
| | 1 | 0 | 1 | 1 | 11 | 32.420 | 6484 |
| | 1 | 1 | 0 | 0 | 12 | 32.420 | 6484 |
| | 1 | 1 | 0 | 1 | 13 | 32.420 | 6484 |
| | 1 | 1 | 1 | 0 | 14 | 32.420 | 6484 |
| | 1 | 1 | 1 | 1 | 15 | 32.420 | 6484 |
| | 0 | 0 | 0 | 0 | 0 | 0 | 32.420 |

***Notes**

'0' for BASE, D4 to D1 and TX_{EN} implies LOW-level input voltage.

'1' implies HIGH-level input voltage.