

Video signal switcher

BA7649A / BA7649AF

The BA7649A and BA7649AF are five-channel analog multiplexers (the IN5 pin can be used a mute input) designed for use in video cassette recorders. They feature large dynamic range, and wide operating frequency range, and have sync-tip inputs which are ideal for switching video signals.

●Applications

Video cassette recorders and televisions

●Features

- 1) 5-input / 1-output switches.
- 2) Built-in mute (the IN5 pin can be use a mute input).
- 3) Sync-tip clamp inputs.
- 4) Wide operating supply voltage range (4.5V to 13.0V).
- 5) Low power consumption (48mW Typ.).
- 6) Excellent frequency characteristics (10MHz, 0dB Typ.).
- 7) Wide dynamic range (3.5V_{P-P} Typ.).
- 8) Low interchannel crosstalk (– 65dB Typ., f = 4.43MHz).
- 9) DIP / SOP 14 pin package.

●Absolute maximum ratings (Ta = 25°C)

BA7649A

Parameter	Symbol	Limits	Unit
Power supply voltage	V _{cc}	13.5	V
Allowable current	P _d	1100*	mW
Operating temperature	T _{opr}	– 25 ~ + 75	°C
Storage temperature	T _{stg}	– 55 ~ + 125	°C

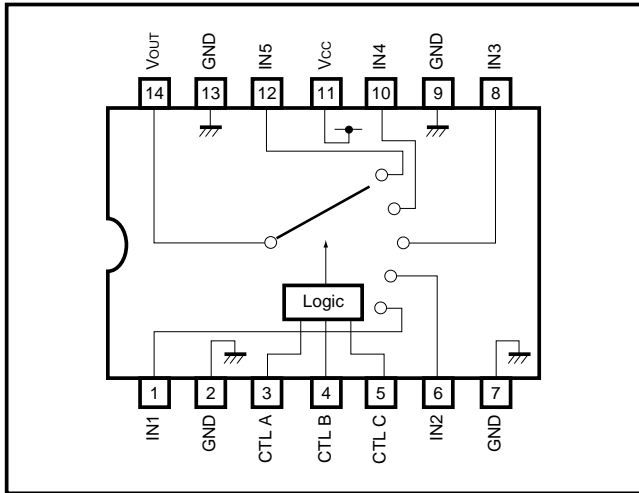
* Reduced by 11.0mW for each increase in Ta of 1°C over 25°C.

BA7649AF

Parameter	Symbol	Limits	Unit
Power supply voltage	V _{cc}	13.5	V
Allowable current	P _d	450*	mW
Operating temperature	T _{opr}	– 25 ~ + 75	°C
Storage temperature	T _{stg}	– 55 ~ + 125	°C

* Reduced by 4.5mW for each increase in Ta of 1°C over 25°C when mounted on a 50mm × 50mm PCB board.

●Block diagram



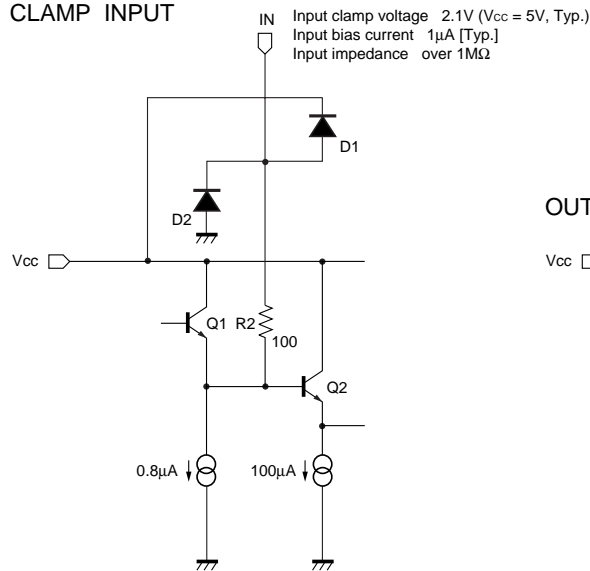
●Truth table

CTLA	CTLB	CTLC	OUT
L (OPEN)	L (OPEN)	L (OPEN)	IN1
L (OPEN)	H	L (OPEN)	IN2
H	L (OPEN)	L (OPEN)	IN3
H	H	L (OPEN)	IN4
*	*	H	MUTE (IN5)

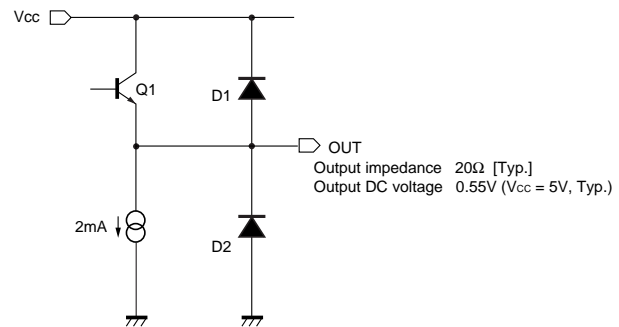
* Either "L (open)" or "H".

●Equivalent circuits

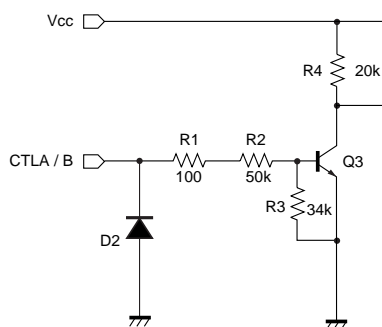
CLAMP INPUT



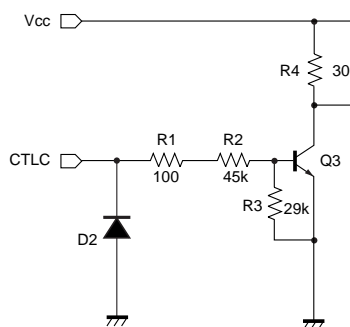
OUTPUT



CTLA / CTLB



CTLC



●Electrical characteristics (unless otherwise noted, Ta = 25°C and VCC = 5V)

Parameter	Symbol	Min.	Typ.	Max.	Unit	Conditions
Operating voltage	V _{CC}	4.5	—	13.0	V	—
Supply current	I _{CC}	—	9.5	14.5	mA	—
Maximum output level	V _{om}	3.0	3.5	—	V _{P-P}	f = 1kHz, THD = 0.5%
Voltage gain	G _v	- 0.5	0	0.5	dB	f = 1MHz, V _{IN} = 1.0V _{P-P}
Interchannel crosstalk	C _T	—	- 65	—	dB	f = 4.43MHz, V _{IN} = 1.0V _{P-P}
Frequency characteristics	G _f	- 3.0	0	1.0	dB	f = 10MHz / 1MHz, V _{IN} = 1.0V _{P-P}
CTL pin switching level A	V _{TH-A}	1.0	2.0	3.0	V	—
CTL pin switching level B	V _{TH-B}	1.0	2.0	3.0	V	—
CTL pin switching level C	V _{TH-C}	1.0	2.0	3.0	V	—

○Not designed for radiation resistance.

●Measurement circuit

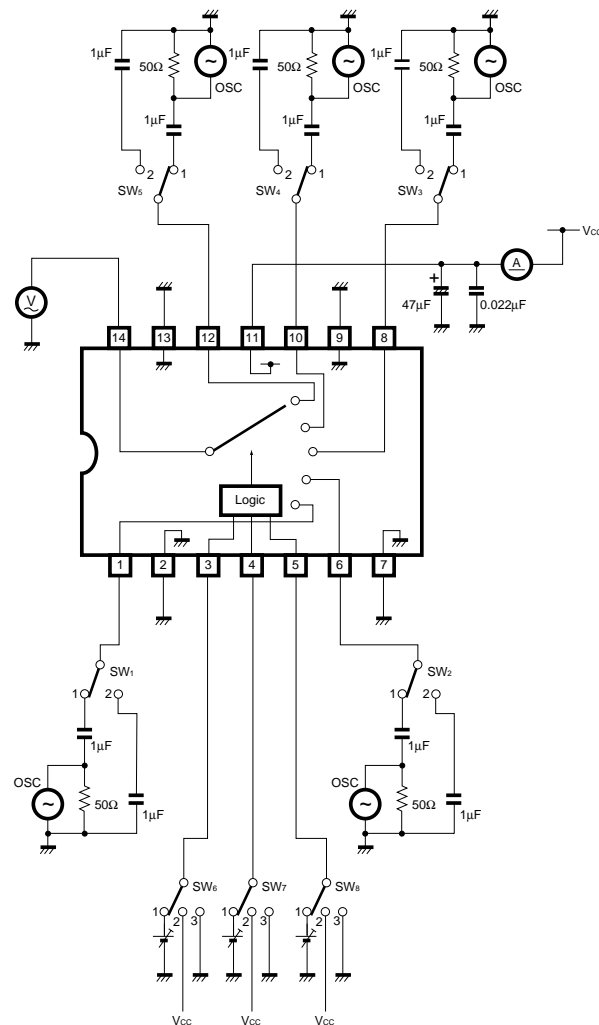


Fig. 1

● Measurement conditions

Parameter		Symbol	Switch settings								Measurement method
			SW ₁	SW ₂	SW ₃	SW ₄	SW ₅	SW ₆	SW ₇	SW ₈	
Current dissipation		I _{CC}	2	2	2	2	2	3	3	3	Ammeter
Maximum output level	IN 1	V _{om}	1	2	2	2	2	3	3	3	f = 1kHz, THD = 0.5% Note 1
	IN 2	V _{om}	2	1	2	2	2	3	2	3	
	IN 3	V _{om}	2	2	1	2	2	2	3	3	
	IN 4	V _{om}	2	2	2	1	2	2	2	3	
	IN 5	V _{om}	2	2	2	2	1	*	*	2	
Voltage gain	IN 1	G _V	1	2	2	2	2	3	3	3	f = 1MHz, V _{IN} = 1V _{P-P} Note 2
	IN 2	G _V	2	1	2	2	2	3	2	3	
	IN 3	G _V	2	2	1	2	2	2	3	3	
	IN 4	G _V	2	2	2	1	2	2	2	3	
	IN 5	G _V	2	2	2	2	1	*	*	2	
Interchannel crosstalk	IN1→1N2	C _T	1	2	2	2	2	3	2	3	f = 4.43MHz, V _{IN} = 1V _{P-P} Note 3
	IN1→1N3	C _T	1	2	2	2	2	2	3	3	
	IN1→1N4	C _T	1	2	2	2	2	2	2	3	
	IN1→1N5	C _T	1	2	2	2	2	*	*	2	
	IN2→1N3	C _T	2	1	2	2	2	2	3	3	
	IN2→1N4	C _T	2	1	2	2	2	2	2	3	
	IN2→1N5	C _T	2	1	2	2	2	*	*	2	
	IN3→1N4	C _T	2	2	1	2	2	2	2	3	
	IN3→1N5	C _T	2	2	1	2	2	*	*	2	
Frequency characteristic	IN 1	G _f	1	2	2	2	2	3	3	3	f = 10MHz, f = 1MHz, V _{IN} = 1V _{P-P} Note 4
	IN 2	G _f	2	1	2	2	2	3	2	3	
	IN 3	G _f	2	2	1	2	2	2	3	3	
	IN 4	G _f	2	2	2	1	2	2	2	3	
	IN 5	G _f	2	2	2	2	1	*	*	2	
CTL pin switching level	CTLA	V _{TH}	2	2	1	2	2	1	3	3	Note 5
	CTLB	V _{TH}	2	1	2	2	2	3	1	3	
	CTLC	V _{TH}	2	2	2	2	1	*	*	1	

* Anywhere is possible.

Note 1: Connect a distortion meter to the output, and input a f = 1kHz sine wave. Adjust the output level until the output distortion is 0.5%. This output voltage at this time is the maximum output level V_{om} (V_{P-P}).

Note 2: Input a 1V_{P-P}, 1MHz sine wave. The voltage gain is given by G_V = 20 log (V_{OUT} / V_{IN}).

Note 3: Input a 1V_{P-P}, 4.43MHz sine wave. The interchannel crosstalk is given by C_T = 20 log (V_{OUT} / V_{IN}).

Note 4: Input 1V_{P-P}, 1MHz and 10MHz sine waves. The frequency characteristic is given by G_f = 20 log (V_{OUT} (f = 10MHz) / V_{OUT} (f = 1MHz)).

Note 5: Input a 1V_{P-P}, 1MHz sine wave. Reduce the CTL pin voltage from V_{CC}.

The CTL pin switching level (V_{TH}) is the CTL pin voltage at which the V_{OUT} level drops below 20mV_{P-P}.

● Electrical characteristic curves

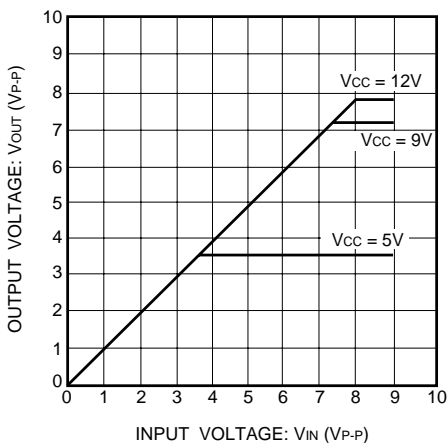


Fig. 2 V_{IN} vs. V_{OUT} (f = 1kHz)

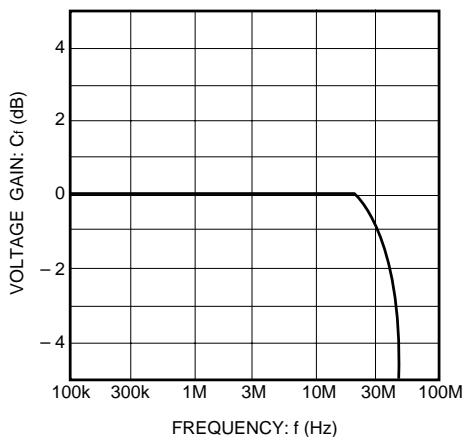


Fig. 3 Frequency characteristics

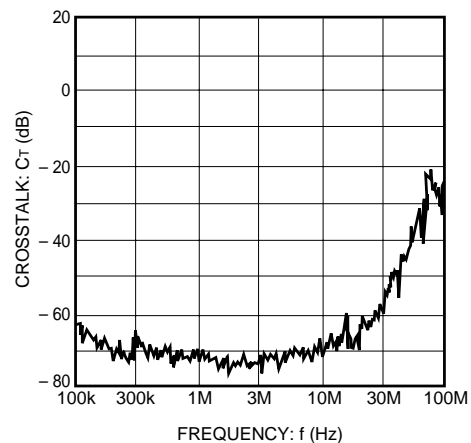


Fig. 4 Interchannel crosstalk

●External dimensions (Units: mm)

