

**5363-pixel × 3 line CCD Linear Sensor (Color)**

**Description**

The ILX718K is a reduction type CCD linear sensor developed for color image scanner, and has shutter function per each color. This sensor reads A4-size documents at a density of 600 DPI.

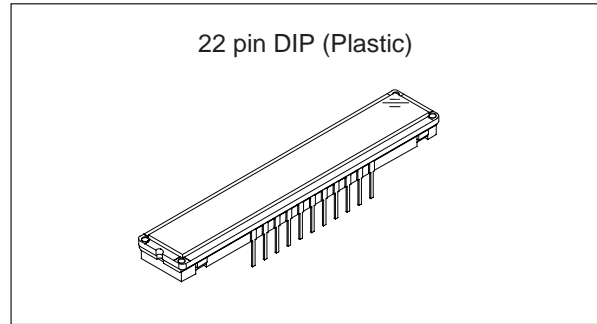
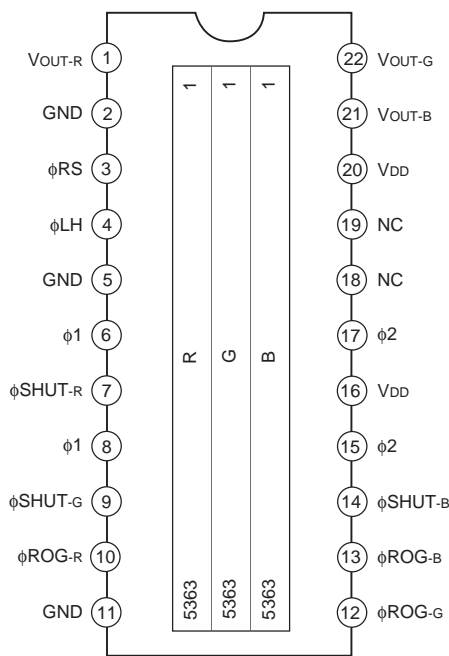
**Features**

- Number of effective pixels: 16089 pixels  
(5363 pixels × 3)
- Pixel size: 8μm × 8μm (8μm pitch)
- Distance between line: 64μm (8 Lines)
- Single-sided readout
- Shutter function
- Ultra low lag / High sensitivity
- Single 12V power supply
- Input clock pulse: CMOS 5V drive
- Number of output 3 (R, G, B)
- Package: 22 pin Plastic-DIP (400 mil)

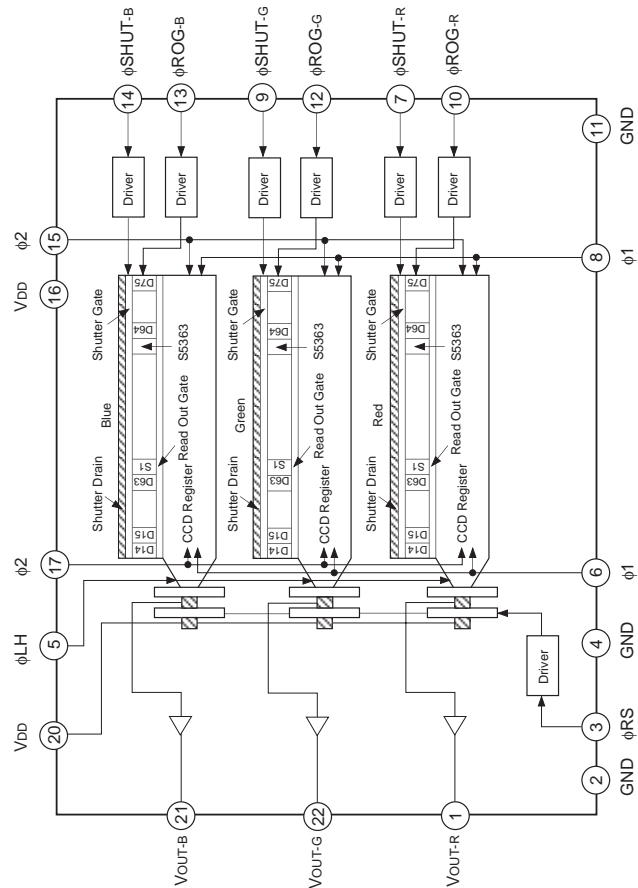
**Absolute Maximum Ratings**

- Supply voltage V<sub>DD</sub> 15 V
- Operating temperature -10 to +55 °C
- Storage temperature -30 to +80 °C

**Pin Configuration (Top View)**



**Block Diagram**



Sony reserves the right to change products and specifications without prior notice. This information does not convey any license by any implication or otherwise under any patents or other right. Application circuits shown, if any, are typical examples illustrating the operation of the devices. Sony cannot assume responsibility for any problems arising out of the use of these circuits.

**Pin Description**

Pin No.	Symbol	Description	Pin No.	Symbol	Description
1	V <sub>OUT-R</sub>	Signal out (red)	12	φ <sub>ROG-G</sub>	Clock pulse input
2	GND	GND	13	φ <sub>ROG-B</sub>	Clock pulse input
3	φ <sub>RS</sub>	Clock pulse input	14	φ <sub>SHUT-B</sub>	Clock pulse input
4	φ <sub>LH</sub>	Clock pulse input	15	φ <sub>2</sub>	Clock pulse input
5	GND	GND	16	V <sub>DD</sub>	12V power supply
6	φ <sub>1</sub>	Clock pulse input	17	φ <sub>2</sub>	Clock pulse input
7	φ <sub>SHUT-R</sub>	Clock pulse input	18	NC	NC
8	φ <sub>1</sub>	Clock pulse input	19	NC	NC
9	φ <sub>SHUT-G</sub>	Clock pulse input	20	V <sub>DD</sub>	12V power supply
10	φ <sub>ROG-R</sub>	Clock pulse input	21	V <sub>OUT-B</sub>	Signal out (blue)
11	GND	GND	22	V <sub>OUT-G</sub>	Signal out (green)

**Recommended Supply Voltage**

Item	Min.	Typ.	Max.	Unit
V <sub>DD</sub>	11.4	12	12.6	V

**Clock Characteristics**

Item	Symbol	Min.	Typ.	Max.	Unit
Input capacity of φ <sub>1</sub> , φ <sub>2</sub>	C <sub>φ1</sub> , C <sub>φ2</sub>	—	850	—	pF
Input capacity of φ <sub>LH</sub>	C <sub>φLH</sub>	—	10	—	pF
Input capacity of φ <sub>RS</sub>	C <sub>φRS</sub>	—	10	—	pF
Input capacity of φ <sub>ROG</sub> *1	C <sub>φROG</sub>	—	10	—	pF
Input capacity of φ <sub>SHUT</sub> *1	C <sub>φSHUT</sub>	—	10	—	pF

\*1 It indicates that φ<sub>ROG-R</sub>, φ<sub>ROG-G</sub>, φ<sub>ROG-B</sub> as φ<sub>ROG</sub>, φ<sub>SHUT-R</sub>, φ<sub>SHUT-G</sub>, φ<sub>SHUT-B</sub> as φ<sub>SHUT</sub>.

**Clock Frequency**

Item	Symbol	Min.	Typ.	Max.	Unit
φ <sub>1</sub> , φ <sub>2</sub> , φ <sub>LH</sub> , φ <sub>RS</sub>	f <sub>φ1</sub> , f <sub>φ2</sub> , f <sub>φLH</sub> , f <sub>φRS</sub>	—	1	5	MHz

**Input Clock Pulse Voltage Condition**

Item	Min.	Typ.	Max.	Unit	
φ <sub>1</sub> , φ <sub>2</sub> , φ <sub>LH</sub> , φ <sub>RS</sub> , φ <sub>ROG</sub> , φ <sub>SHUT</sub> pulse voltage	High level	4.75	5.0	5.25	V
	Low level	—	0	0.1	V

**Electrooptical Characteristics** (Note 1)

Ta = 25°C, VDD = 12V, f<sub>RS</sub> = 1MHz, Input clock = 5Vp-p, Light source = 3200K, IR cut filter CM-500S (t = 1.0mm)

Item	Symbol	Min.	Typ.	Max.	Unit	Remarks	
Sensitivity	Red	R <sub>R</sub>	1.3	2.0	2.7	V/(lx · s)	Note 2
	Green	R <sub>G</sub>	2.1	3.2	4.3		
	Blue	R <sub>B</sub>	1.6	2.5	3.4		
Sensitivity nonuniformity	PRNU	—	4	20	%	Note 3	
Saturation output voltage	V <sub>SAT</sub>	2	3.2	—	V	Note 4	
Saturation exposure	Red	SE <sub>R</sub>	0.74	1.6	—	lx · s	Note 5
	Green	SE <sub>G</sub>	0.46	1	—		
	Blue	SE <sub>B</sub>	0.58	1.28	—		
Dark voltage average	V <sub>DRK</sub>	—	0.3	2	mV	Note 6	
Dark signal nonuniformity	DSNU	—	1.5	5	mV	Note 6	
Image lag	IL	—	0.02	—	%	Note 7	
Supply current	I <sub>VDD</sub>	—	26	50	mA	—	
Total transfer efficiency	TTE	92	98	—	%	—	
Output impedance	Z <sub>O</sub>	—	250	—	Ω	—	
Offset level	V <sub>OS</sub>	—	6.5	—	V	Note 8	
Dynamic range	DR	1000	10670	—	—	Note 9	

**Note**

- 1) In accordance with the given electrooptical characteristics, the black level is defined as the average value of D2, D3 to D12.
- 2) For the sensitivity test light is applied with a uniform intensity of illumination.
- 3) PRNU is defined as indicated below. Ray incidence conditions are the same as for Note 2.

$$V_{OUT-G} = 500\text{mV (Typ.)}$$

$$PRNU = \frac{(V_{MAX} - V_{MIN}) / 2}{V_{AVE}} \times 100 \text{ [%]}$$

Where the 5363 pixels are divided into blocks of 114 (Last block is 119 pixel). The maximum output of each block is set to V<sub>MAX</sub>, the minimum output to V<sub>MIN</sub> and the average output to V<sub>AVE</sub>.

- 4) Use below the minimum value of the saturation output voltage.
- 5) Saturation exposure is defined as follows.

$$SE = \frac{V_{SAT}}{R}$$

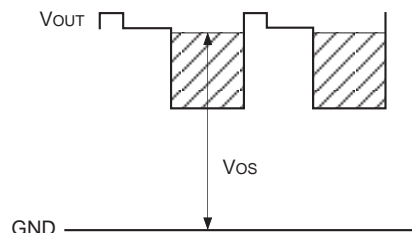
Where R indicates R<sub>R</sub>, R<sub>G</sub>, R<sub>B</sub>, and SE indicates SE<sub>R</sub>, SE<sub>G</sub>, SE<sub>B</sub>.

- 6) Optical signal accumulated time τ int stands at 10ms.
- 7) V<sub>OUT-G</sub> = 500mV (Typ.)
- 8) V<sub>OS</sub> is defined as indicated below.

V<sub>OUT</sub> indicates V<sub>OUT-R</sub>, V<sub>OUT-G</sub>, and V<sub>OUT-B</sub>.

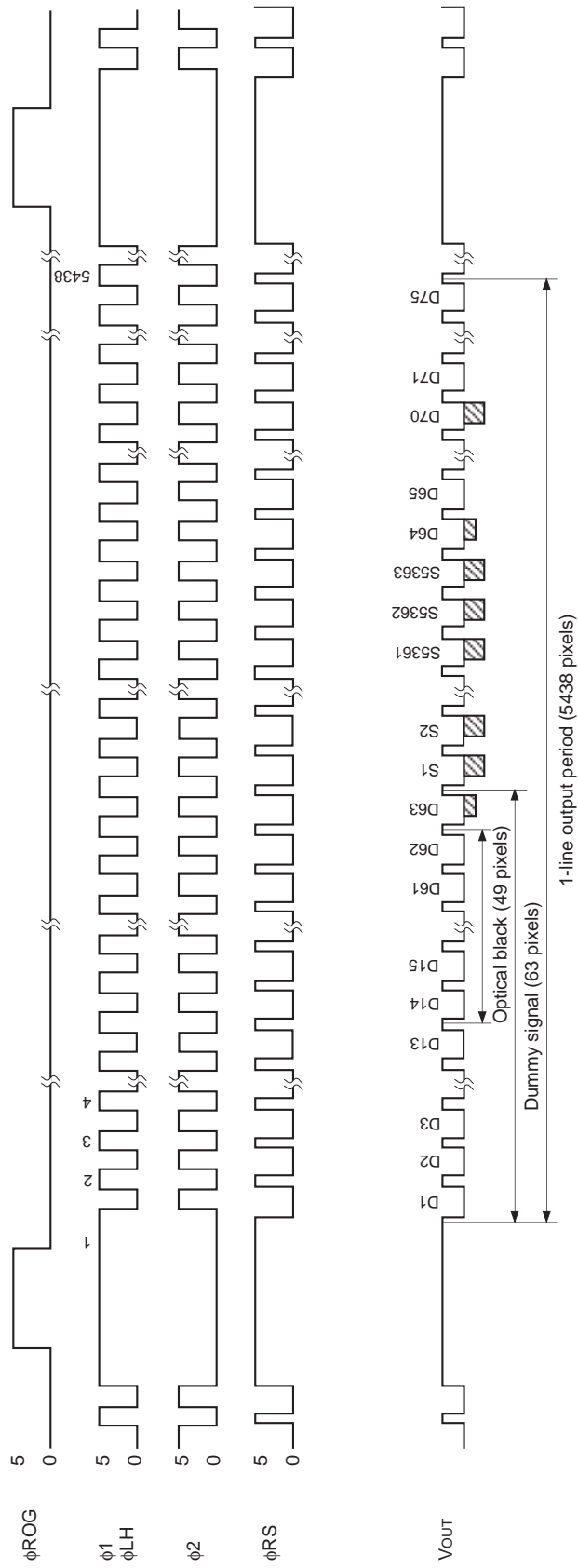
- 9) Dynamic range is defined as follows.

$$DR = \frac{V_{SAT}}{V_{DRK}}$$



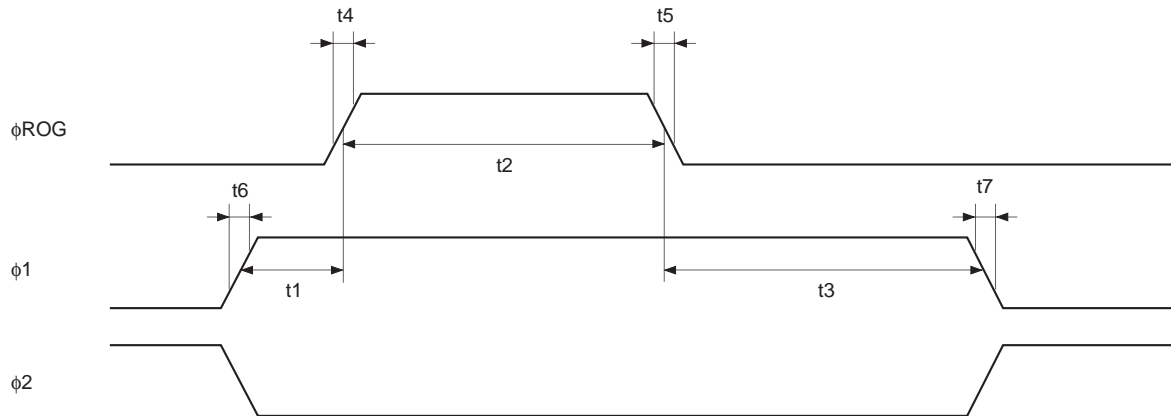
When the optical signal accumulated time is shorter, the dynamic range gets wider because the optical signal accumulated time is in proportion to the dark voltage.

**Clock Timing Chart 1**

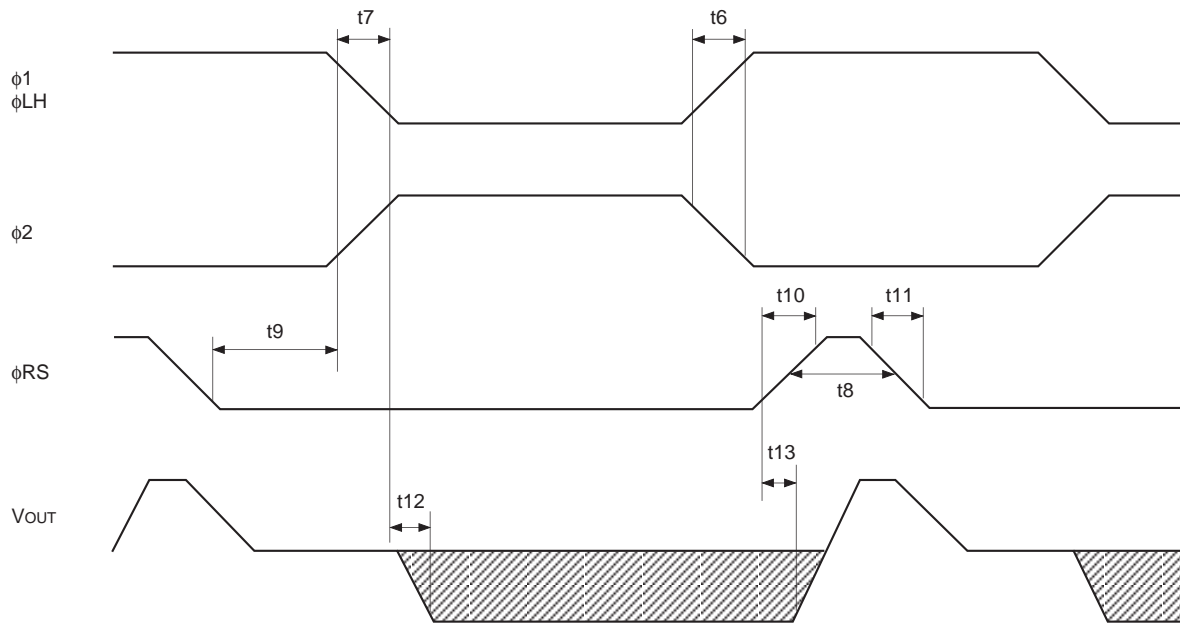


Note) The transfer pulses ( $\phi1$ ,  $\phi2$ ,  $\phi LH$ ) must have more than 5438 cycles.  
 $V_{OUT}$  indicates  $V_{OUT-R}$ ,  $V_{OUT-G}$ ,  $V_{OUT-B}$ .

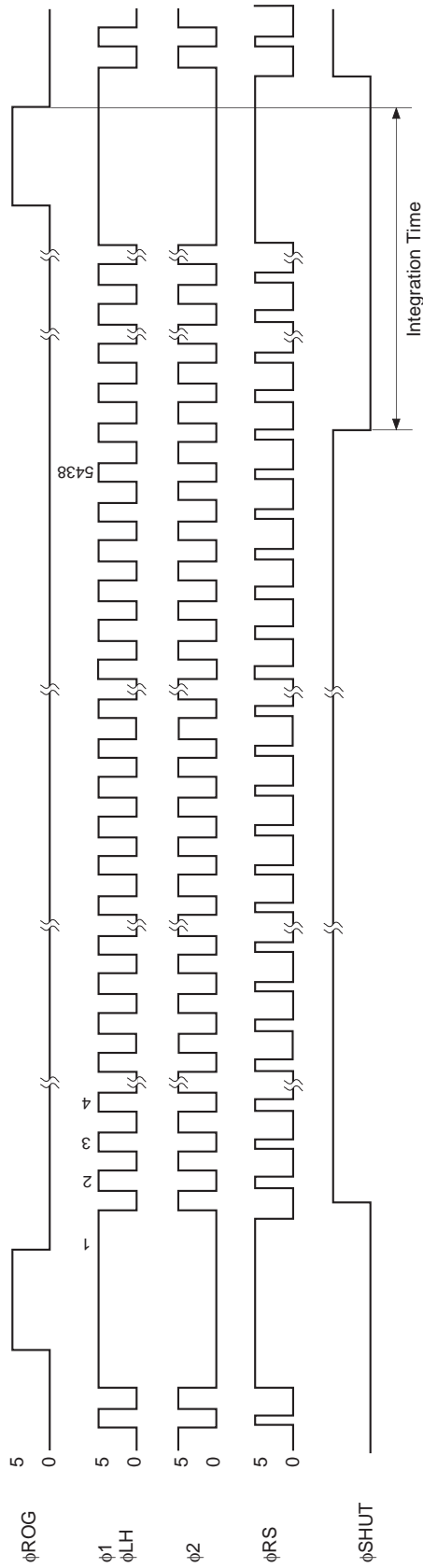
**Clock Timing Chart 2**



**Clock Timing Chart 3**



Clock Timing Chart 4 (Shutter Operation)



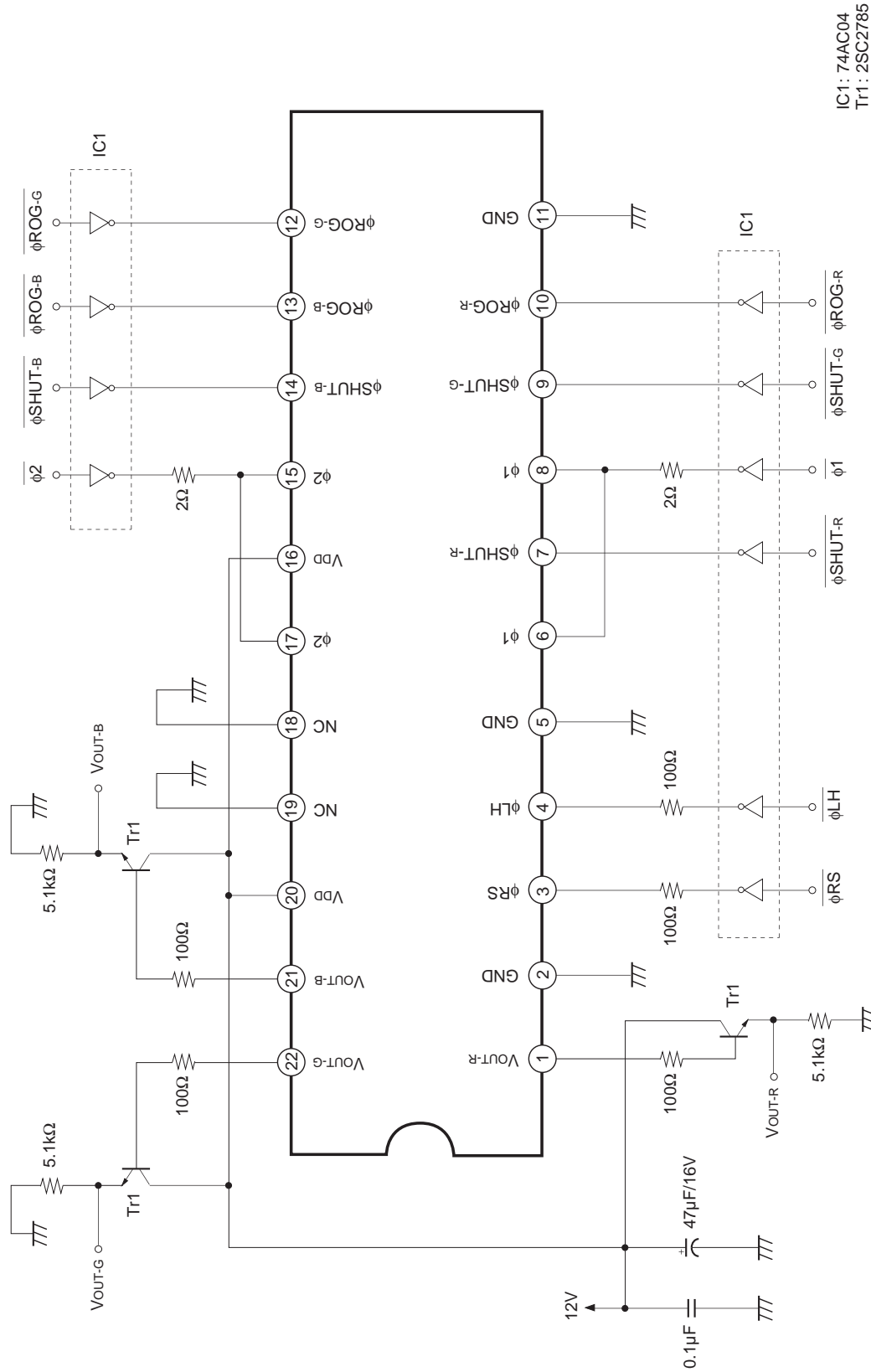
Note) Shutter pulse must not be low level during from 2 to 5438 of  $\phi$ 1.

**Clock Pulse Recommended Timing**

Item	Symbol	Min.	Typ.	Max.	Unit
$\phi$ ROG, $\phi$ 1 pulse timing	t1	50	100	—	ns
$\phi$ ROG pulse high level period	t2	800	1000	—	ns
$\phi$ ROG, $\phi$ 1 pulse timing	t3	800	1000	—	ns
$\phi$ ROG pulse rise time	t4	0	5	10	ns
$\phi$ ROG pulse fall time	t5	0	5	10	ns
$\phi$ 1 pulse rise time / $\phi$ 2 pulse fall time	t6	0	20	60	ns
$\phi$ 1 pulse fall time / $\phi$ 2 pulse rise time	t7	0	20	60	ns
$\phi$ RS pulse high level period	t8	45	250*1	—	ns
$\phi$ RS, $\phi$ LH pulse timing	t9	45	250*1	—	ns
$\phi$ RS pulse rise time	t10	0	10	30	ns
$\phi$ RS pulse fall time	t11	0	10	30	ns
Signal output delay time	t12	—	10	—	ns
	t13	—	10	—	ns

\*1 These timing is the recommended condition under  $f_{\phi RS} = 1\text{MHz}$ .

Application Circuit\*

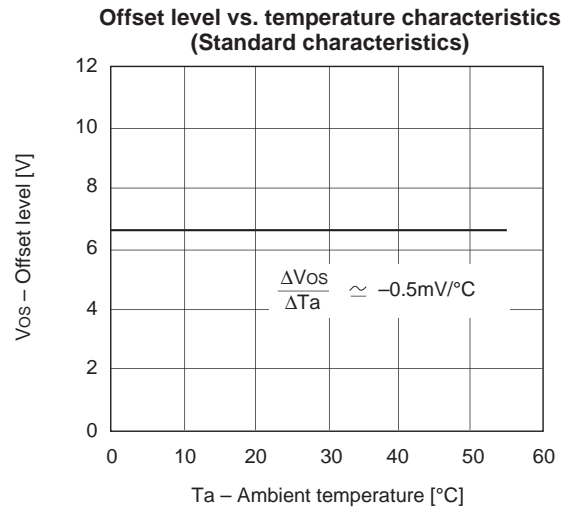
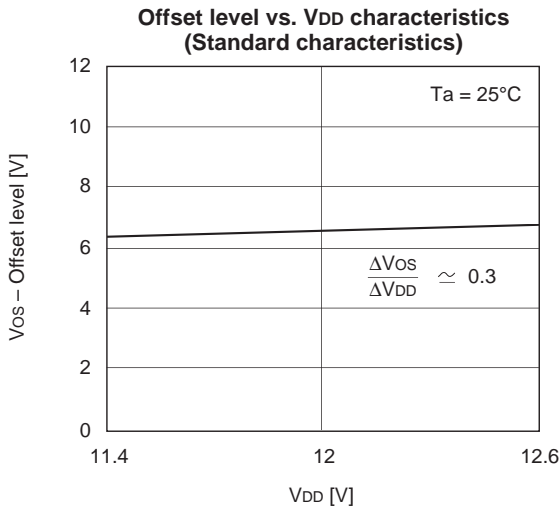
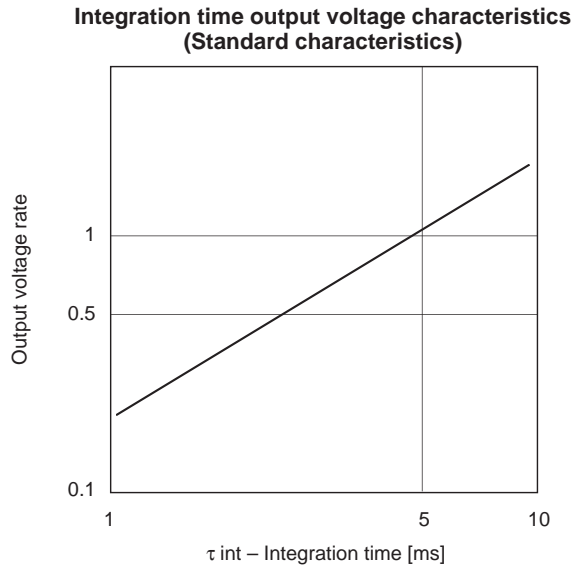
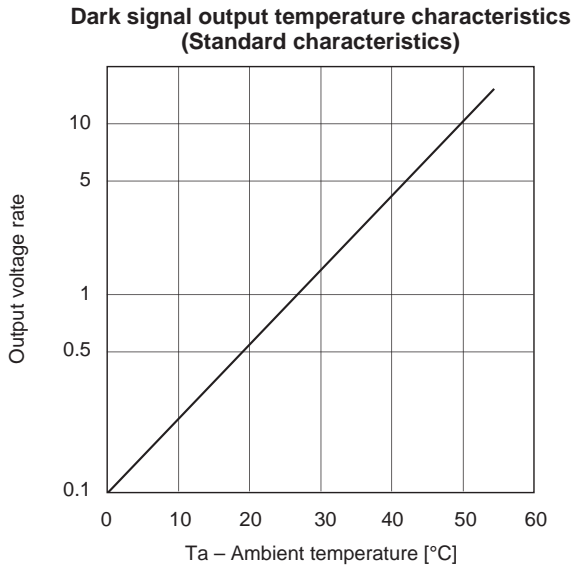
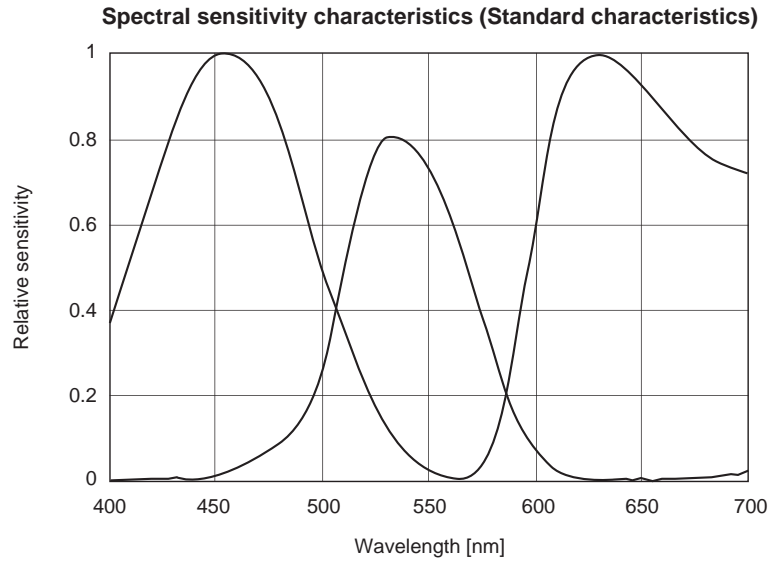


\* Data rate φRS = 1MHz

Application circuits shown are typical examples illustrating the operation of the devices. Sony cannot assume responsibility for any problems arising out of the use of these circuits or for any infringement of third party patent and other right due to same.



Example of Representative Characteristics ( $V_{DD} = 12V$ ,  $T_a = 25^\circ C$ )



**Notes of Handling**

1) Static charge prevention

CCD image sensors are easily damaged by static discharge. Before handling be sure to take the following protective measures.

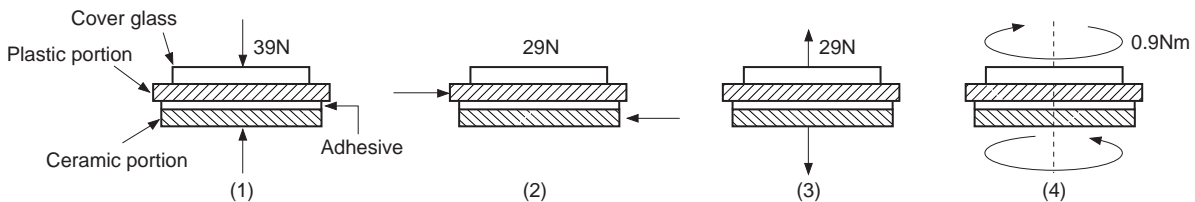
- a) Either handle bare handed or use non chargeable gloves, clothes or material. Also use conductive shoes.
- b) When handling directly use an earth band.
- c) Install a conductive mat on the floor or working table to prevent the generation of static electricity.
- d) Ionized air is recommended for discharge when handling CCD image sensor.
- e) For the shipment of mounted substrates, use boxes treated for prevention of static charges.

2) Notes on Handling CCD Packages

The following points should be observed when handling and installing packages.

a) Remain within the following limits when applying static load to the package:

- (1) Compressive strength: 39N/surface (Do not apply load more than 0.7mm inside the outer perimeter of the glass portion.)
- (2) Shearing strength: 29N/surface
- (3) Tensile strength: 29N/surface
- (4) Torsional strength: 0.9Nm



b) In addition, if a load is applied to the entire surface by a hard component, bending stress may be generated and the package may fracture, etc., depending on the flatness of the ceramic portion. Therefore, for installation, either use an elastic load, such as a spring plate, or an adhesive.

c) Be aware that any of the following can cause the package to crack or dust to be generated.

- (1) Applying repetitive bending stress to the external leads.
- (2) Applying heat to the external leads for an extended period of time with soldering iron.
- (3) Rapid cooling or heating.
- (4) Prying the plastic portion and ceramic portion away at a support point of the adhesive layer.
- (5) Applying the metal a crash or a rub against the plastic portion.

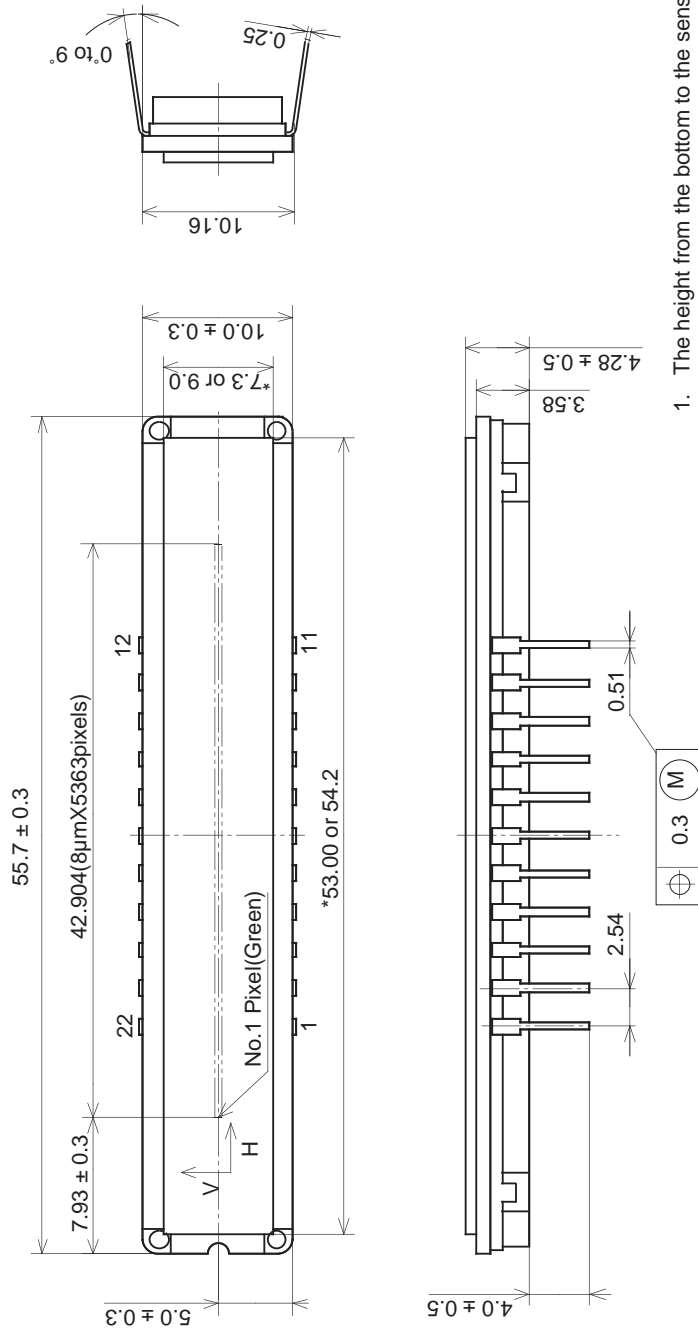
Note that the preceding notes should also be observed when removing a component from a board after it has already been soldered.

d) The notch of the plastic portion is used for directional index, and that can not be used for reference of fixing. In addition, the cover glass and seal resin may overlap with the notch or ceramic may overlap with the notch of the plastic portion.

- 3) Soldering
  - a) Make sure the package temperature does not exceed 80°C.
  - b) Solder dipping in a mounting furnace causes damage to the glass and other defects. Use a grounded 30W soldering iron and solder each pin in less than 2 seconds. For repairs and remount, cool sufficiently.
  - c) To dismount an imaging device, do not use a solder suction equipment. When using an electric desoldering tool, ground the controller. For the control system, use a zero cross type.
  
- 4) Dust and dirt protection
  - a) Operate in clean environments.
  - b) Do not either touch glass plates by hand or have any object come in contact with glass surfaces. Should dirt stick to a glass surface, blow it off with an air blower. (For dirt stuck through static electricity ionized air is recommended.)
  - c) Clean with a cotton bud and ethyl alcohol if the glass surface is grease stained. Be careful not to scratch the glass.
  - d) Keep in a case to protect from dust and dirt. To prevent dew condensation, preheat or precool when moving to a room with great temperature differences.
  
- 5) Exposure to high temperatures or humidity will affect the characteristics. Accordingly avoid storage or usage in such conditions.
  
- 6) CCD image sensors are precise optical equipment that should not be subject to mechanical shocks.

Package Outline Unit: mm

22pin DIP(400mil)



1. The height from the bottom to the sensor surface is 2.38 ± 0.3mm.
  2. The thickness of the cover glass is 0.7mm, and the refractive index is 1.5.
- \*The dimension of cover glass is 54.2 X 9.0mm or 53.0 X 7.3mm.

PACKAGE STRUCTURE

PACKAGE MATERIAL	Plastic, Ceramic
LEAD TREATMENT	GOLD PLATING
LEAD MATERIAL	42ALLOY
PACKAGE MASS	5.43g
DRAWING NUMBER	LS-B21(E)