

## REGULATING PULSE WIDTH MODULATOR

### DESCRIPTION

The SG1525A/1527A series of pulse width modulator integrated circuits are designed to offer improved performance and lower external parts count when used to implement all types of switching power supplies. The on-chip +5.1 volt reference is trimmed to  $\pm 1\%$  initial accuracy and the input common-mode range of the error amplifier includes the reference voltage, eliminating external potentiometers and divider resistors. A Sync input to the oscillator allows multiple units to be slaved together, or a single unit to be synchronized to an external system clock. A single resistor between the  $C_T$  pin and the Discharge pin provides a wide range of deadtime adjustment. These devices also feature built-in soft-start circuitry with only a timing capacitor required externally. A Shutdown pin controls both the soft-start circuitry and the output stages, providing instantaneous turn-off with soft-start recycle for slow turn-on. These functions are also controlled by an undervoltage lockout which keeps the outputs off and the soft-start capacitor discharged for input voltages less than that required for normal operation. Another unique feature of these PWM circuits is a latch following the comparator. Once a PWM pulse has been terminated for any reason, the outputs will remain off for the duration of the period. The latch is reset with each clock pulse. The output stages are totem-pole designs capable of sourcing or sinking in excess of 200mA. The SG1525A output stage features NOR logic, giving a LOW output for an OFF state. The SG1527A utilizes OR logic which results in a HIGH output level when OFF.

### FEATURES

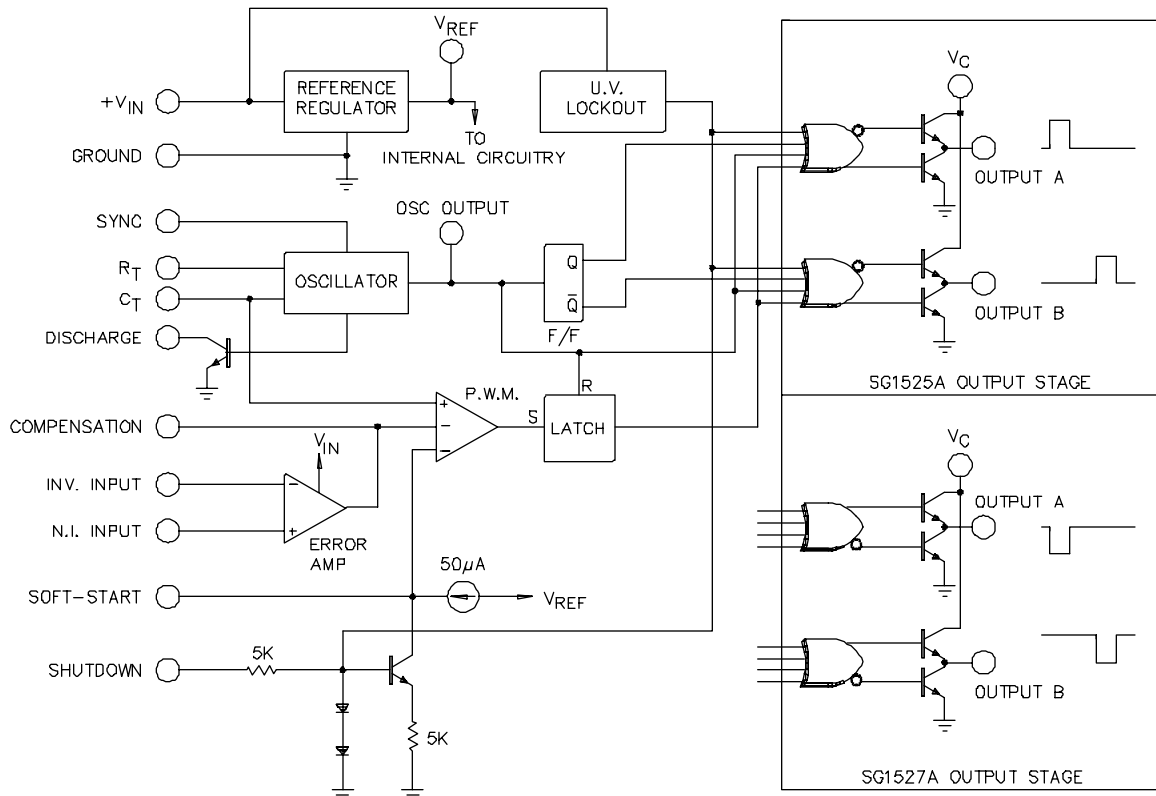
- 8V to 35V operation
- 5.1V reference trimmed to  $\pm 1\%$
- 100Hz to 500KHz oscillator range
- Separate oscillator sync terminal
- Adjustable deadtime control
- Internal soft-start
- Input undervoltage lockout
- Latching P.W.M. to prevent multiple pulses
- Dual source/sink output drivers

### HIGH RELIABILITY FEATURES

- SG1525A, SG1527A

- ◆ Available to MIL-STD-883B
- ◆ MIL-M38510/12602BEA - JAN1525AJ
- ◆ MIL-M38510/12604BEA - JAN1527AJ
- ◆ Radiation data available
- ◆ LMI level "S" processing available

### BLOCK DIAGRAM



# SG1525A/SG1527A SERIES

## ABSOLUTE MAXIMUM RATINGS (Note 1)

|  |                          |  |                |
|--|--------------------------|--|----------------|
| Supply Voltage (+V <sub>IN</sub> ) .....         | 40V                      | Oscillator Charging Current .....              | 5mA            |
| Collector Supply Voltage (V <sub>C</sub> ) ..... | 40V                      | Operating Junction Temperature Range           |                |
| Logic Inputs .....                               | -0.3V to 5.5V            | Hermetic (J, L Packages) .....                 | 150°C          |
| Analog Inputs .....                              | -0.3V to V <sub>IN</sub> | Plastic (N, DW Packages) .....                 | 150°C          |
| Output Current, Source or Sink .....             | 500mA                    | Storage Temperature Range .....                | -65°C to 150°C |
| Reference Load Current .....                     | 50mA                     | Lead Temperature (Soldering, 10 seconds) ..... | 300°C          |

Note 1. Values beyond which damage may occur.

## THERMAL DATA

J Package:

|   |        |
|---|--------|
| Thermal Resistance-Junction to Case, $\theta_{JC}$ .....    | 30°C/W |
| Thermal Resistance-Junction to Ambient, $\theta_{JA}$ ..... | 80°C/W |

DW Package:

|   |        |
|---|--------|
| Thermal Resistance-Junction to Case, $\theta_{JC}$ .....    | 40°C/W |
| Thermal Resistance-Junction to Ambient, $\theta_{JA}$ ..... | 95°C/W |

L Package:

|   |         |
|---|---------|
| Thermal Resistance-Junction to Case, $\theta_{JC}$ .....    | 35°C/W  |
| Thermal Resistance-Junction to Ambient, $\theta_{JA}$ ..... | 120°C/W |

N Package:

|   |        |
|---|--------|
| Thermal Resistance-Junction to Case, $\theta_{JC}$ .....    | 40°C/W |
| Thermal Resistance-Junction to Ambient, $\theta_{JA}$ ..... | 65°C/W |

Note A. Junction Temperature Calculation:  $T_J = T_A + (P_D \times \theta_{JA})$ .

Note B. The above numbers for  $\theta_{JC}$  are maximums for the limiting thermal resistance of the package in a standard mounting configuration. The  $\theta_{JA}$  numbers are meant to be guidelines for the thermal performance of the device/pc-board system. All of the above assume no ambient airflow.

## RECOMMENDED OPERATING CONDITIONS (Note 2)

|  |                 |   |                  |
|--|-----------------|---|------------------|
| Input Voltage (+V <sub>IN</sub> ) .....            | 8V to 35V       | Deadtime Resistor Range (R <sub>D</sub> ) .....     | 0Ω to 500Ω       |
| Collector Voltage (V <sub>C</sub> ) .....          | 4.5V to 35V     | Maximum Shutdown Source Impedance .....             | 5KΩ              |
| Sink/Source Load Current (steady state) .....      | 0 to 100mA      | Oscillator Timing Capacitor (C <sub>T</sub> ) ..... | 0.001μF to 0.1μF |
| Sink/Source Load Current (peak) .....              | 0 to 400mA      | Operating Ambient Temperature Range                 |                  |
| Reference Load Current .....                       | 0 to 20mA       | SG1525A/SG1527A .....                               | -55°C to 125°C   |
| Oscillator Frequency Range .....                   | 100Hz to 350KHz | SG2525A/SG2527A .....                               | -25°C to 85°C    |
| Oscillator Timing Resistor (R <sub>T</sub> ) ..... | 2KΩ to 150KΩ    | SG3525A/SG3527A .....                               | 0°C to 70°C      |

Note 2: Range over which the device is functional.

## ELECTRICAL CHARACTERISTICS

(Unless otherwise specified, these specifications apply over the operating ambient temperatures for SG1525A/SG1527A with  $-55^\circ\text{C} \leq T_A \leq 125^\circ\text{C}$ , SG2525A/SG2527A with  $-25^\circ\text{C} \leq T_A \leq 85^\circ\text{C}$ , SG3525A/SG3527A with  $0^\circ\text{C} \leq T_A \leq 70^\circ\text{C}$ , and +V<sub>IN</sub> = 20V. Low duty cycle pulse testing techniques are used which maintains junction and case temperatures equal to the ambient temperature.)

| Parameter                           | Test Conditions                              | SG1525A/2525A<br>SG1527A/2527A |      |      | SG3525A<br>SG3527A |      |      | Units  |
|-------------------------------------|--|--------------------------------|------|------|--------------------|------|------|--------|
|                                     |  | Min.                           | Typ. | Max. | Min.               | Typ. | Max. |        |
| <b>Reference Section</b>            |  |                                |      |      |                    |      |      |        |
| Output Voltage                      | T <sub>J</sub> = 25°C                        | 5.05                           | 5.10 | 5.15 | 5.00               | 5.10 | 5.20 | V      |
| Line Regulation                     | V <sub>IN</sub> = 8V to 35V                  |                                | 10   | 30   |                    | 10   | 30   | mV     |
| Load Regulation                     | I <sub>L</sub> = 0 to 20mA                   |                                | 20   | 50   |                    | 20   | 50   | mV     |
| Temperature Stability (Note 3)      | Over Operating Temperature Range             |                                | 20   | 50   |                    | 20   | 50   | mV     |
| Total Output Voltage Range (Note 3) | Over Line, Load and Temperature              | 5.00                           |      | 5.20 | 4.95               |      | 5.25 | V      |
| Short Circuit Current               | V <sub>REF</sub> = 0V, T <sub>J</sub> = 25°C |                                | 80   | 100  |                    | 80   | 100  | mA     |
| Output Noise Voltage (Note 3)       | 10Hz ≤ f ≤ 10KHz, T <sub>J</sub> = 25°C      |                                | 40   | 200  |                    | 40   | 200  | μVrms  |
| Long Term Stability (Note 3)        | T <sub>J</sub> = 125°C                       |                                | 20   | 50   |                    | 20   | 50   | mV/khr |

Note 3. These parameters, although guaranteed over the recommended operating conditions, are not 100% tested in production.

Note 4. F<sub>OSC</sub> = 40KHz (R<sub>T</sub> = 3.6KΩ, C<sub>T</sub> = 0.01μF, R<sub>D</sub> = 0Ω)

Note 5. Applies to SG1525A/2525A/3525A only, due to polarity of output pulses.

## ELECTRICAL CHARACTERISTICS (continued)

| Parameter  | Test Conditions                                       | SG1525A/2525A<br>SG1527A/2527A |           |         | SG3525A<br>SG3527A |         |         | Units         |
|--|---|--------------------------------|-----------|---------|--------------------|---------|---------|---------------|
|  |   | Min.                           | Typ.      | Max.    | Min.               | Typ.    | Max.    |               |
| <b>Oscillator Section</b> (Note 4)                                   |   |                                |           |         |                    |         |         |               |
| Initial Accuracy   | $T_J = 25^\circ\text{C}$                              | 37.6                           | 40        | 42.4    | 37.6               | 40      | 42.4    | KHz           |
| Voltage Stability  | $V_{IN} = 8\text{V to }35\text{V}$                    |                                | $\pm 0.3$ | $\pm 1$ |                    | $\pm 1$ | $\pm 2$ | %             |
| Temperature Stability (Note 3)                                       | $\text{MIN} \leq T_J \leq \text{MAX}$                 |                                | $\pm 3$   | $\pm 6$ |                    | $\pm 3$ | $\pm 6$ | %             |
| Minimum Frequency (Note 3)   | $R_T = 150\text{K}\Omega, C_T = 0.1\mu\text{F}$       |                                |           | 150     |                    |         | 150     | Hz            |
| Maximum Frequency (Note 3)   | $R_T = 2\text{K}\Omega, C_T = 1\text{nF}$             | 350                            |           |         | 350                |         |         | KHz           |
| Current Mirror   | $I_{RT} = 2\text{mA}$                                 | 1.7                            | 2.0       | 2.2     | 1.7                | 2.0     | 2.2     | mA            |
| Clock Amplitude  |   | 3.0                            | 3.5       |         | 3.0                | 3.5     |         | V             |
| Clock Width  | $T_J = 25^\circ\text{C}$                              | 0.3                            | 0.5       | 1.0     | 0.3                | 0.5     | 1.0     | $\mu\text{s}$ |
| Sync Threshold   |   | 1.2                            | 2.0       | 2.8     | 1.2                | 2.0     | 2.8     | V             |
| Sync Input Current   | Sync Voltage = 3.5V                                   |                                | 1.0       | 2.5     |                    | 1.0     | 2.5     | mA            |
| <b>Error Amplifier Section</b> ( $V_{CM} = 5.1\text{V}$ )            |   |                                |           |         |                    |         |         |               |
| Input Offset Voltage   |   |                                | 0.5       | 5       |                    | 2       | 10      | mV            |
| Input Bias Current   |   |                                | 1         | 10      |                    | 1       | 10      | $\mu\text{A}$ |
| Input Offset Current   |   |                                |           | 1       |                    |         | 1       | $\mu\text{A}$ |
| DC Open Loop Gain  | $R_L \geq 10\text{M}\Omega, T_J = 25^\circ\text{C}$   | 60                             | 75        |         | 60                 | 75      |         | dB            |
| Gain-Bandwidth Product (Note 3)                                      | $A_V = 0\text{dB}, T_J = 25^\circ\text{C}$            | 1                              | 2         |         | 1                  | 2       |         | MHz           |
| Output Low Level   |   |                                | 0.2       | 0.5     |                    | 0.2     | 0.5     | V             |
| Output High Level  |   | 3.8                            | 5.6       |         | 3.8                | 5.6     |         | V             |
| Common Mode Rejection  | $V_{CM} = 1.5\text{V to }5.2\text{V}$                 | 60                             | 75        |         | 60                 | 75      |         | dB            |
| Supply Voltage Rejection   | $V_{IN} = 8\text{V to }35\text{V}$                    | 50                             | 60        |         | 50                 | 60      |         | dB            |
| <b>P.W.M. Comparator Section</b> (Note 4)                            |   |                                |           |         |                    |         |         |               |
| Minimum Duty Cycle   | $V_{COMP} = 0.6\text{V}$                              |                                |           | 0       |                    |         | 0       | %             |
| Maximum Duty Cycle   | $V_{COMP} = 3.6\text{V}$                              | 45                             | 49        |         | 45                 | 49      |         | %             |
| Input Threshold (Note 4)   | Zero Duty Cycle                                       | 0.6                            | 0.9       |         | 0.6                | 0.9     |         | V             |
|  | Maximum Duty Cycle                                    |                                | 3.3       | 3.6     |                    | 3.3     | 3.6     | V             |
| Input Bias Current   |   |                                | .05       | 2.0     |                    | .05     | 2.0     | $\mu\text{A}$ |
| <b>Soft-Start Section</b>  |   |                                |           |         |                    |         |         |               |
| Soft Start Current   | $V_{SHUTDOWN} = 0\text{V}$                            | 25                             | 50        | 80      | 25                 | 50      | 80      | $\mu\text{A}$ |
| Soft Start Voltage   | $V_{SHUTDOWN} = 2\text{V}$                            |                                | 0.4       | 0.6     |                    | 0.4     | 0.6     | V             |
| Shutdown Input Current   | $V_{SHUTDOWN} = 2.5\text{V}$                          |                                | 0.4       | 1.0     |                    | 0.4     | 1.0     | mA            |
| <b>Output Drivers Section</b> (each transistor, $V_C = 20\text{V}$ ) |   |                                |           |         |                    |         |         |               |
| Output High Level  | $I_{SOURCE} = 20\text{mA}$                            | 18                             | 19        |         | 18                 | 19      |         | V             |
|  | $I_{SOURCE} = 100\text{mA}$                           | 17                             | 18        |         | 17                 | 18      |         | V             |
| Output Low Level   | $I_{SINK} = 20\text{mA}$                              |                                | 0.2       | 0.4     |                    | 0.2     | 0.4     | V             |
|  | $I_{SINK} = 100\text{mA}$                             |                                | 1.0       | 2.2     |                    | 1.0     | 2.2     | V             |
| Undervoltage Lockout   | $V_{COMP}$ and $V_{SS} = \text{High}$                 | 6                              | 7         | 8       | 6                  | 7       | 8       | V             |
| Collector Leakage (Note 5)   | $V_C = 35\text{V}$                                    |                                |           | 200     |                    |         | 200     | $\mu\text{A}$ |
| Rise Time  | $C_L = 1\text{nF}, T_J = 25^\circ\text{C}$            |                                | 100       | 600     |                    | 100     | 600     | ns            |
| Fall Time  | $C_L = 1\text{nF}, T_J = 25^\circ\text{C}$            |                                | 50        | 300     |                    | 50      | 300     | ns            |
| Shutdown Delay (Note 3)  | $V_{SD} = 3\text{V}, C_S = 0, T_J = 25^\circ\text{C}$ |                                | 0.2       | 0.5     |                    | 0.2     | 0.5     | $\mu\text{s}$ |
| <b>Total Standby Current</b>   |   |                                |           |         |                    |         |         |               |
| Standby Current  | $V_{IN} = 35\text{V}$                                 |                                | 14        | 20      |                    | 14      | 20      | mA            |

## OSCILLATOR SECTION

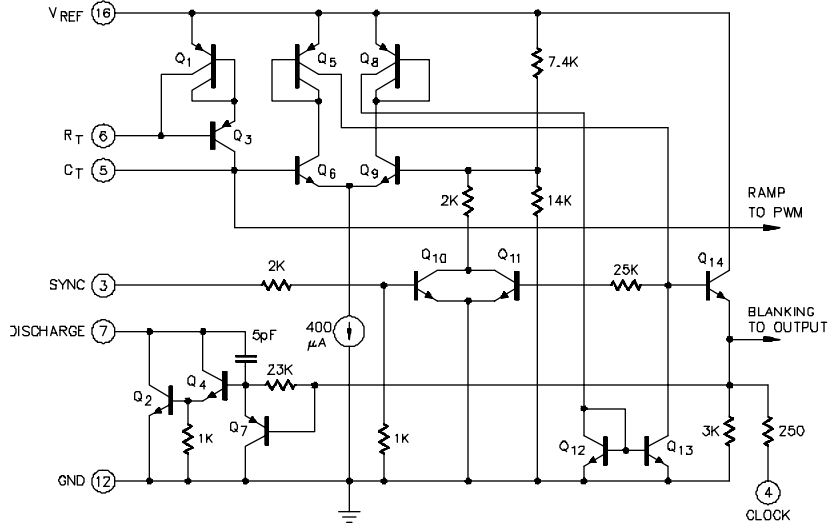


FIGURE 1 - OSCILLATOR SCHEMATIC

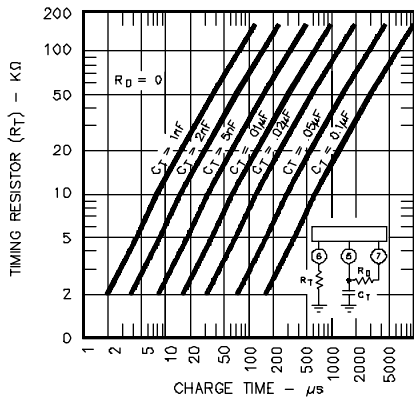


FIGURE 2 - OSCILLATOR CHARGE TIME VS.  $R_T$  AND  $C_T$

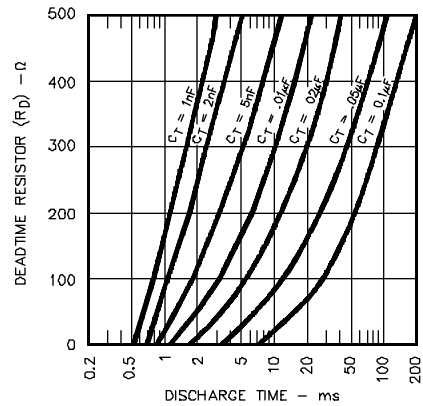


FIGURE 3 - OSCILLATOR DISCHARGE TIME VS.  $R_D$  AND  $C_T$

## ERROR AMPLIFIER SECTION

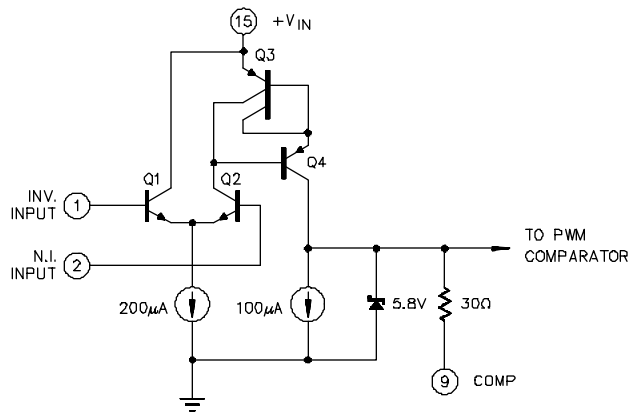


FIGURE 4 - ERROR AMPLIFIER

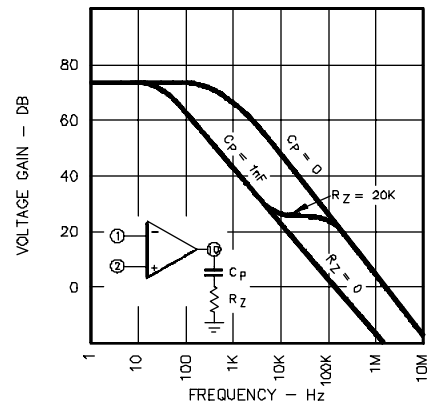


FIGURE 5 - ERROR AMPLIFIER OPEN-LOOP FREQUENCY RESPONSE

## OUTPUT SECTION

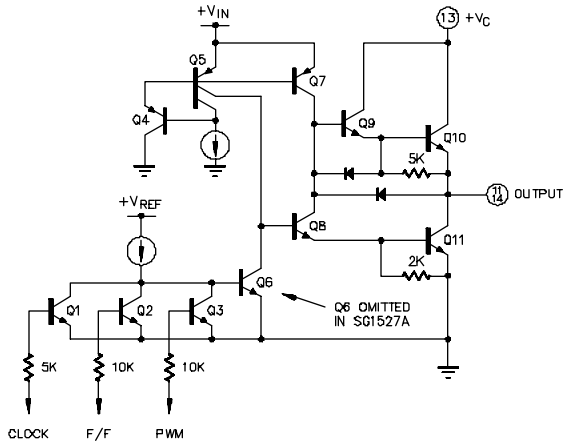


FIGURE 6 - OUTPUT CIRCUIT (1/2 Circuit Shown)

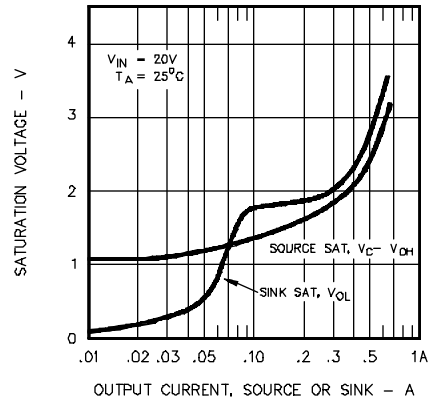
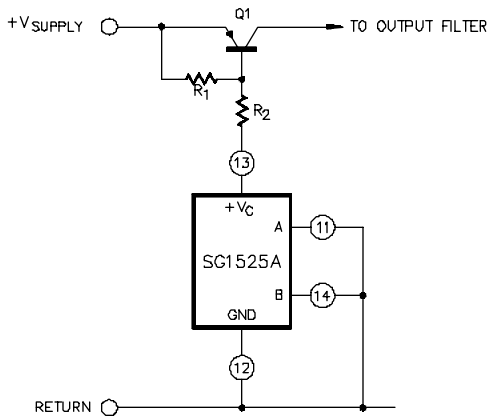
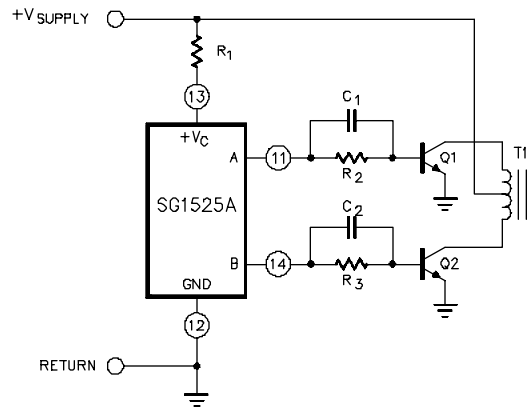


FIGURE 7 - OUTPUT SATURATION CHARACTERISTICS

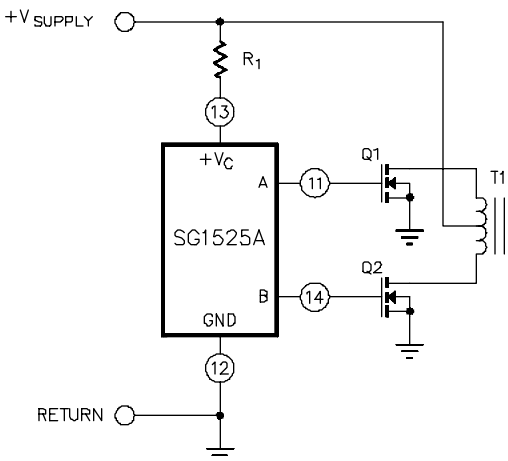
## APPLICATION INFORMATION



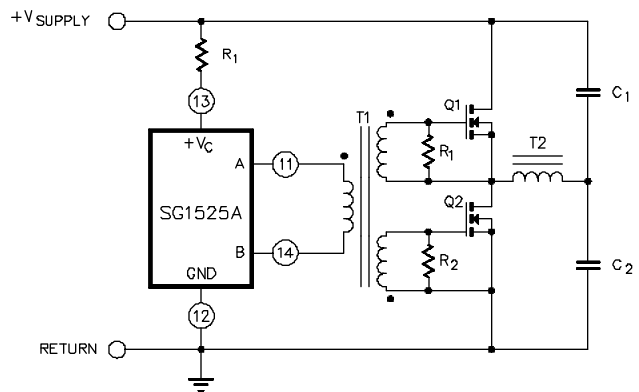
For single-ended supplies, the driver outputs are grounded. The  $V_c$  terminal is switched to ground by the totem-pole source transistors on alternate oscillator cycles.



In conventional push-pull bipolar designs, forward base drive is controlled by  $R_1 - R_3$ . Rapid turn-off times for the power devices are achieved with speed-up capacitors  $C_1$  and  $C_2$ .



The low source impedance of the output drivers provides rapid charging of power FET input capacitance while minimizing external components.



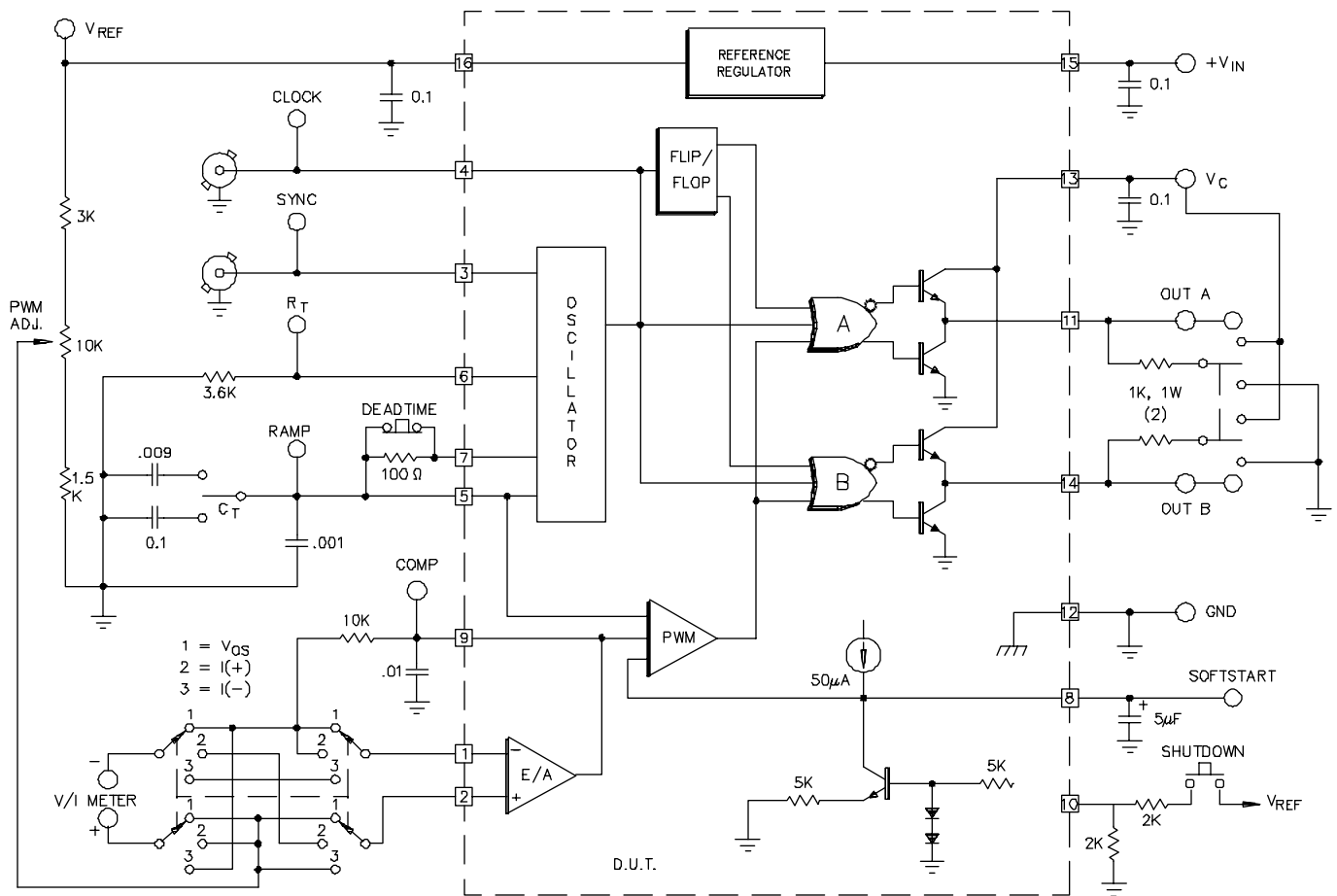
Low power transformers can be driven directly by the SG1525A. Automatic reset occurs during deadtime, when both ends of the primary winding are switched to ground.

## APPLICATION INFORMATION (continued)

### SHUTDOWN OPTIONS

1. Use an external transistor or open-collector comparator to pull down on the Comp terminal. This will set the PWM latch turning off both outputs. If the shutdown signal is momentary, pulse-by-pulse protection can be accomplished as the PWM latch will be reset with each clock pulse.
2. The same results can be accomplished by pulling down on the Soft-Start terminal with the difference that on this pin, shutdown will not affect the amplifier compensation network but must discharge any Soft-Start capacitor.
3. Apply a positive-going signal to the Shutdown terminal. This will provide most rapid shutdown of the outputs but will not immediately set the PWM latch if there is a Soft-Start capacitor. This capacitor will discharge but with a current of approximately twice the charging current.
4. The shutdown terminal can be used to set the PWM latch on a pulse-by-pulse basis if there is no external capacitance on Soft-Start terminal. Slow turn-on may still be accomplished by applying an external capacitor, blocking diode, and charging resistor to the comp terminal. (See SG1524 Application Note).

### SG1525A/1527A LAB TEST FIXTURE



# SG1525A/SG1527A SERIES

## CONNECTION DIAGRAMS & ORDERING INFORMATION (See Notes Below)

| Package  | Part No.                          | Ambient Temperature Range | Connection Diagram |               |
|--|-----------------------------------|---------------------------|--------------------|---------------|
| 16-PIN CERAMIC DIP<br>J - PACKAGE                      | SG1525AJ/883B                     | -55°C to 125°C            |                    |               |
|  | JAN1525AJ                         | -55°C to 125°C            |                    |               |
|  | SG1525AJ/DESC                     | -55°C to 125°C            |                    |               |
|  | SG1525AJ                          | -55°C to 125°C            |                    |               |
|  | SG2525AJ                          | -25°C to 85°C             |                    |               |
|  | SG3525AJ                          | 0°C to 70°C               |                    |               |
|  | SG1527AJ/883B                     | -55°C to 125°C            |                    |               |
|  | JAN1527AJ                         | -55°C to 125°C            |                    |               |
|  | SG1527AJ/DESC                     | -55°C to 125°C            |                    |               |
|  | SG1527AJ                          | -55°C to 125°C            |                    |               |
|  | SG2527AJ                          | -25°C to 85°C             |                    |               |
|  | SG3527AJ                          | 0°C to 70°C               |                    |               |
|  | 16-PIN PLASTIC DIP<br>N - PACKAGE | SG2525AN                  |                    | -25°C to 85°C |
|  |                                   | SG3525AN                  |                    | 0°C to 70°C   |
| SG2527AN   |                                   | -25°C to 85°C             |                    |               |
| SG3527AN   |                                   | 0°C to 70°C               |                    |               |
| 16-PIN WIDE BODY<br>PLASTIC S.O.I.C.<br>DW - PACKAGE   | SG2525ADW                         | -25°C to 85°C             |                    |               |
|  | SG3525ADW                         | 0°C to 70°C               |                    |               |
|  | SG2527ADW                         | -25°C to 85°C             |                    |               |
|  | SG3527ADW                         | 0°C to 70°C               |                    |               |
| 20-PIN CERAMIC<br>LEADLESS CHIP CARRIER<br>L - PACKAGE | SG1525AL/883B                     | -55°C to 125°C            |                    |               |
|  | SG1525AL                          | -55°C to 125°C            |                    |               |
|  | SG1527AL/883B                     | -55°C to 125°C            |                    |               |
|  | SG1527AL                          | -55°C to 125°C            |                    |               |

Note 1. Contact factory for JAN and DESC product availability.  
 2. All packages are viewed from the top.