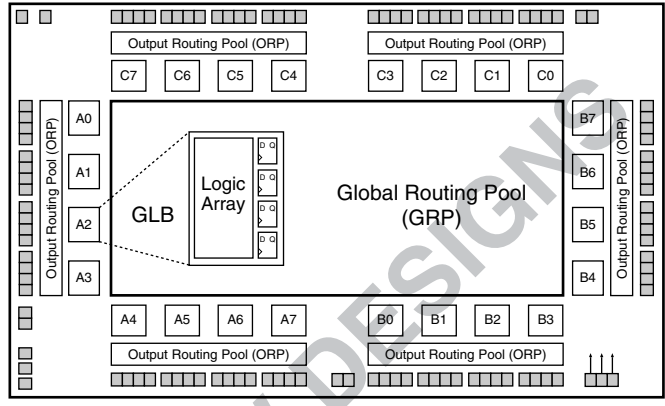




Features

- **ENHANCEMENTS**
 - ispLSI 2096A is Fully Form and Function Compatible to the ispLSI 2096, with Identical Timing Specifications and Packaging
 - ispLSI 2096A is Built on an Advanced 0.35 Micron E²CMOS[®] Technology
- **HIGH DENSITY PROGRAMMABLE LOGIC**
 - 4000 PLD Gates
 - 96 I/O Pins, Six Dedicated Inputs
 - 96 Registers
 - High Speed Global Interconnect
 - Wide Input Gating for Fast Counters, State Machines, Address Decoders, etc.
 - Small Logic Block Size for Random Logic
- **HIGH PERFORMANCE E²CMOS[®] TECHNOLOGY**
 - $f_{max} = 125$ MHz Maximum Operating Frequency
 - $t_{pd} = 7.5$ ns Propagation Delay
 - TTL Compatible Inputs and Outputs
 - Electrically Erasable and Reprogrammable
 - Non-Volatile
 - 100% Tested at Time of Manufacture
 - Unused Product Term Shutdown Saves Power
- **IN-SYSTEM PROGRAMMABLE**
 - In-System Programmable (ISP[™]) 5V Only
 - Increased Manufacturing Yields, Reduced Time-to-Market and Improved Product Quality
 - Reprogram Soldered Devices for Faster Prototyping
- **OFFERS THE EASE OF USE AND FAST SYSTEM SPEED OF PLDs WITH THE DENSITY AND FLEXIBILITY OF FIELD PROGRAMMABLE GATE ARRAYS**
 - Complete Programmable Device Can Combine Glue Logic and Structured Designs
 - Enhanced Pin Locking Capability
 - Three Dedicated Clock Input Pins
 - Synchronous and Asynchronous Clocks
 - Programmable Output Slew Rate Control to Minimize Switching Noise
 - Flexible Pin Placement
 - Optimized Global Routing Pool Provides Global Interconnectivity
 - Lead-Free Package Options

Functional Block Diagram



Description

The ispLSI 2096 and 2096A are High Density Programmable Logic Devices. The devices contain 96 Registers, 96 Universal I/O pins, six Dedicated Input pins, three Dedicated Clock Input pins, two dedicated Global OE input pins and a Global Routing Pool (GRP). The GRP provides complete interconnectivity between all of these elements. The ispLSI 2096 and 2096A feature 5V in-system programmability and in-system diagnostic capabilities. The ispLSI 2096 and 2096A offer non-volatile reprogrammability of the logic, as well as the interconnect to provide truly reconfigurable systems.

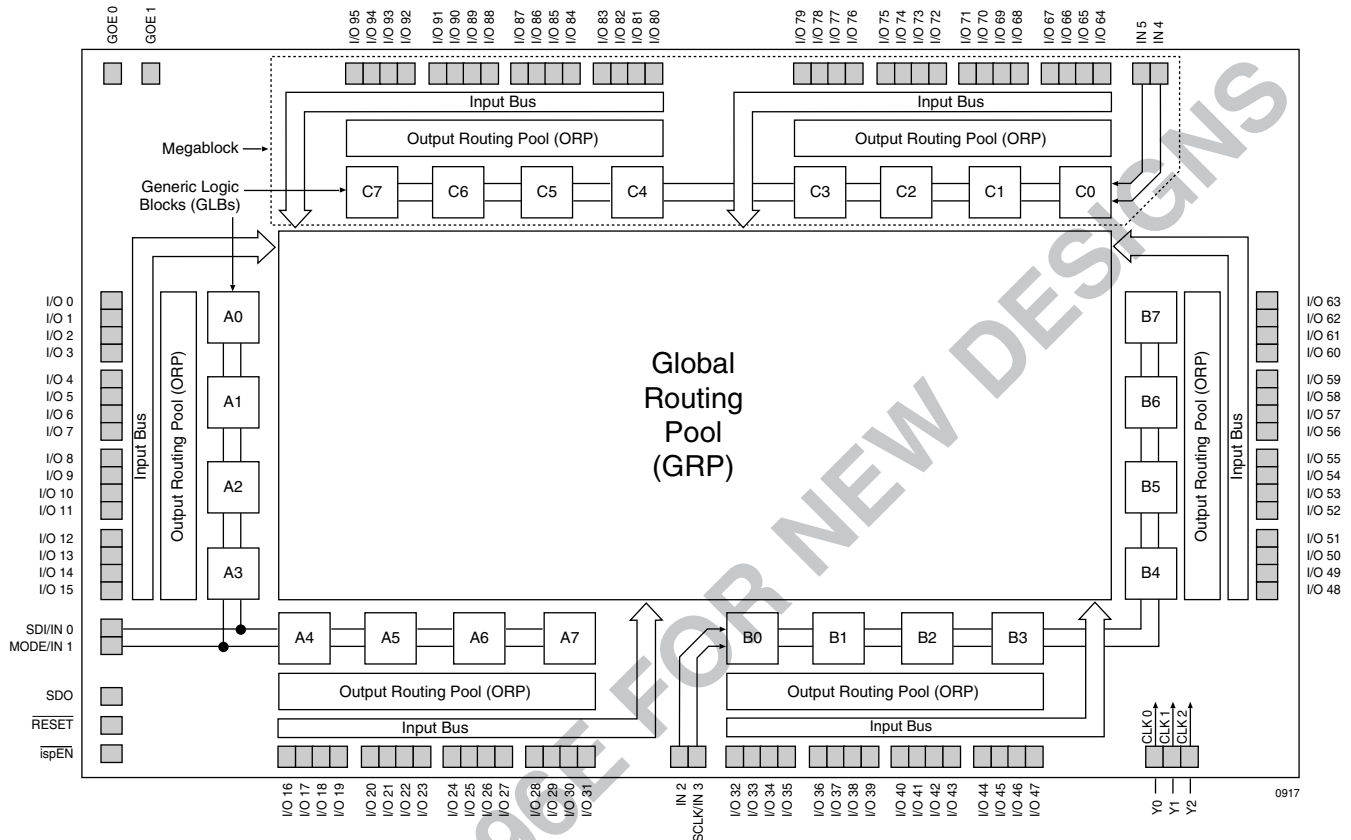
The basic unit of logic on these devices is the Generic Logic Block (GLB). The GLBs are labeled A0, A1...C7 (Figure 1). There are a total of 24 GLBs in the ispLSI 2096 and 2096A devices. Each GLB is made up of four macrocells. Each GLB has 18 inputs, a programmable AND/OR/Exclusive OR array, and four outputs which can be configured to be either combinatorial or registered. Inputs to the GLB come from the GRP and dedicated inputs. All of the GLB outputs are brought back into the GRP so that they can be connected to the inputs of any GLB on the device.

Select devices have been discontinued. See Ordering Information section for product status.

Copyright ©2006 Lattice Semiconductor Corp. All brand or product names are trademarks or registered trademarks of their respective holders. The specifications and information herein are subject to change without notice.

Functional Block Diagram

Figure 1. ispLSI 2096/A Functional Block Diagram



The devices also have 96 I/O cells, each of which is directly connected to an I/O pin. Each I/O cell can be individually programmed to be a combinatorial input, output or bi-directional I/O pin with 3-state control. The signal levels are TTL compatible voltages and the output drivers can source 4 mA or sink 8 mA. Each output can be programmed independently for fast or slow output slew rate to minimize overall output switching noise.

Eight GLBs, 32 I/O cells, two dedicated inputs and two ORPs are connected together to make a Megablock (Figure 1). The outputs of the eight GLBs are connected to a set of 32 universal I/O cells by the two ORPs. Each ispLSI 2096 and 2096A device contains three Megablocks.

The GRP has as its inputs, the outputs from all of the GLBs and all of the inputs from the bi-directional I/O cells. All of these signals are made available to the inputs of the GLBs. Delays through the GRP have been equalized to minimize timing skew.

Clocks in the ispLSI 2096 and 2096A devices are selected using the dedicated clock pins. Three dedicated clock pins (Y0, Y1, Y2) or an asynchronous clock can be selected on a GLB basis. The asynchronous or Product Term clock can be generated in any GLB for its own clock.

Select devices have been discontinued. See Ordering Information section for product status.

Absolute Maximum Ratings ¹

Supply Voltage V_{CC} -0.5 to +7.0V
 Input Voltage Applied -2.5 to $V_{CC} + 1.0V$
 Off-State Output Voltage Applied -2.5 to $V_{CC} + 1.0V$
 Storage Temperature -65 to 150°C
 Case Temp. with Power Applied -55 to 125°C
 Max. Junction Temp. (T_J) with Power Applied ... 150°C

1. Stresses above those listed under the “Absolute Maximum Ratings” may cause permanent damage to the device. Functional operation of the device at these or at any other conditions above those indicated in the operational sections of this specification is not implied (while programming, follow the programming specifications).

DC Recommended Operating Condition

| SYMBOL | PARAMETER | MIN. | MAX. | UNITS | |
|----------|--------------------|---|--------------|-------|---|
| V_{CC} | Supply Voltage | Commercial $T_A = 0^\circ C$ to $+70^\circ C$ | 4.75 | 5.25 | V |
| | | Industrial $T_A = -40^\circ C$ to $+85^\circ C$ | 4.5 | 5.5 | V |
| V_{IL} | Input Low Voltage | 0 | 0.8 | V | |
| V_{IH} | Input High Voltage | 2.0 | $V_{CC} + 1$ | V | |

Table 2 - 0005/2096

Capacitance ($T_A = 25^\circ C$, $f = 1.0$ MHz)

| SYMBOL | PARAMETER | TYPICAL | UNITS | TEST CONDITIONS |
|--------|-------------------------------------|---------|-------|--|
| C_1 | I/O and Dedicated Input Capacitance | 8 | pf | $V_{CC} = 5.0V$, $V_{I/O, IN} = 2.0V$ |
| C_2 | Clock Capacitance | 15 | pf | $V_{CC} = 5.0V$, $V_Y = 2.0V$ |

Table 2-0006a

Data Retention Specifications

| PARAMETER | MINIMUM | MAXIMUM | UNITS |
|------------------------|---------|---------|--------|
| Data Retention | 20 | – | Years |
| Erase/Reprogram Cycles | 10000 | – | Cycles |

Table 2-0008A-isp

Select devices have been discontinued. See Ordering Information section for product status.

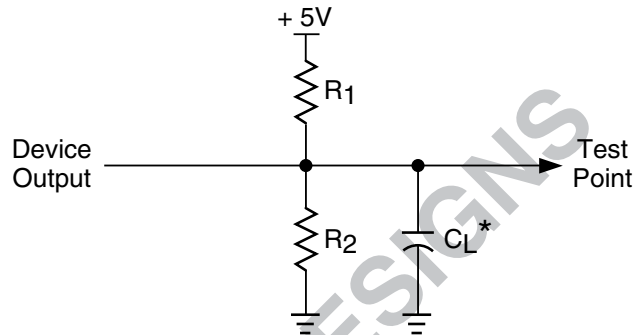
Switching Test Conditions

| | | |
|--|--------------|--------|
| Input Pulse Levels | GND to 3.0V | |
| Input Rise and Fall Time 10% to 90% | -125 | ≤ 2 ns |
| | Others | ≤ 3 ns |
| Input Timing Reference Levels | 1.5V | |
| Output Timing Reference Levels | 1.5V | |
| Output Load | See Figure 2 | |

3-state levels are measured 0.5V from steady-state active level.

Table 2-0003/2096

Figure 2. Test Load



*CL includes Test Fixture and Probe Capacitance.

0213/2096

Output Load Conditions (see Figure 2)

| TEST CONDITION | R1 | R2 | CL |
|----------------|------|------|------|
| A | 470Ω | 390Ω | 35pF |
| B | ∞ | 390Ω | 35pF |
| | 470Ω | 390Ω | 35pF |
| C | ∞ | 390Ω | 5pF |
| | 470Ω | 390Ω | 5pF |

Table 2-0004/2096

DC Electrical Characteristics

Over Recommended Operating Conditions

| SYMBOL | PARAMETER | CONDITION | MIN. | TYP. ³ | MAX. | UNITS | |
|-------------------------------------|-----------------------------------|--|------------|-------------------|------|-------|----|
| V_{OL} | Output Low Voltage | I _{OL} = 8 mA | - | - | 0.4 | V | |
| V_{OH} | Output High Voltage | I _{OH} = -4 mA | 2.4 | - | - | V | |
| I_{IL} | Input or I/O Low Leakage Current | 0V ≤ V _{IN} ≤ V _{IL} (Max.) | - | - | -10 | μA | |
| I_{IH} | Input or I/O High Leakage Current | 3.5V ≤ V _{IN} ≤ V _{CC} | - | - | 10 | μA | |
| I_{IL-isp} | ispEN Input Low Leakage Current | 0V ≤ V _{IN} ≤ V _{IL} (Max.) | - | - | -150 | μA | |
| I_{IL-PU} | I/O Active Pull-Up Current | 0V ≤ V _{IN} ≤ V _{IL} | - | - | -150 | μA | |
| I_{OS}¹ | Output Short Circuit Current | V _{CC} = 5V, V _{OUT} = 0.5V | - | - | -200 | mA | |
| I_{CC}^{2,4} | Operating Power Supply Current | V _{IL} = 0.0V, V _{IH} = 3.0V | Commercial | - | 150 | 295 | mA |
| | | f _{CLOCK} = 1 MHz | Industrial | - | 150 | - | mA |

Table 2-0007/2096

- One output at a time for a maximum duration of one second. V_{OUT} = 0.5V was selected to avoid test problems by tester ground degradation. Characterized but not 100% tested.
- Measured using six 16-bit counters.
- Typical values are at V_{CC} = 5V and T_A = 25°C.
- Maximum I_{CC} varies widely with specific device configuration and operating frequency. Refer to the Power Consumption section of this data sheet and the Thermal Management section of the Lattice Semiconductor Data Book or CD-ROM to estimate maximum I_{CC}.

Select devices have been discontinued. See Ordering Information section for product status.

External Timing Parameters

Over Recommended Operating Conditions

| PARAMETER | TEST COND. ⁴ | # ² | DESCRIPTION ¹ | -125 | | -100 | | -80 | | UNITS |
|---------------------------------|-------------------------|----------------|--|------|------|------|------|------|------|-------|
| | | | | MIN. | MAX. | MIN. | MAX. | MIN. | MAX. | |
| t _{pd1} | A | 1 | Data Propagation Delay, 4PT Bypass, ORP Bypass | – | 7.5 | – | 10.0 | – | 15.0 | ns |
| t _{pd2} | A | 2 | Data Propagation Delay | – | 10.0 | – | 13.0 | – | 18.5 | ns |
| f _{max} | A | 3 | Clock Frequency with Internal Feedback ³ | 125 | – | 100 | – | 81.0 | – | MHz |
| f _{max} (Ext.) | – | 4 | Clock Frequency with External Feedback ($\frac{1}{t_{su2} + t_{co1}}$) | 100 | – | 77.0 | – | 57.0 | – | MHz |
| f _{max} (Tog.) | – | 5 | Clock Frequency, Max. Toggle | 125 | – | 100 | – | 83.0 | – | MHz |
| t _{su1} | – | 6 | GLB Reg. Setup Time before Clock, 4 PT Bypass | 5.0 | – | 6.5 | – | 9.0 | – | ns |
| t _{co1} | A | 7 | GLB Reg. Clock to Output Delay, ORP Bypass | – | 4.0 | – | 5.0 | – | 6.5 | ns |
| t _{h1} | – | 8 | GLB Reg. Hold Time after Clock, 4 PT Bypass | 0.0 | – | 0.0 | – | 0.0 | – | ns |
| t _{su2} | – | 9 | GLB Reg. Setup Time before Clock | 6.0 | – | 8.0 | – | 11.0 | – | ns |
| t _{co2} | – | 10 | GLB Reg. Clock to Output Delay | – | 4.5 | – | 6.0 | – | 8.0 | ns |
| t _{h2} | – | 11 | GLB Reg. Hold Time after Clock | 0.0 | – | 0.0 | – | 0.0 | – | ns |
| t _{r1} | A | 12 | Ext. Reset Pin to Output Delay | – | 10.0 | – | 13.5 | – | 17.0 | ns |
| t _{rw1} | – | 13 | Ext. Reset Pulse Duration | 5.0 | – | 6.5 | – | 10.0 | – | ns |
| t _{p_{to}een} | B | 14 | Product Term OE, Enable | – | 12.0 | – | 15.0 | – | 18.0 | ns |
| t _{p_{to}edis} | C | 15 | Product Term OE, Disable | – | 12.0 | – | 15.0 | – | 18.0 | ns |
| t _{g_{oe}een} | B | 16 | Global OE, Enable | – | 7.0 | – | 9.0 | – | 12.0 | ns |
| t _{g_{oe}edis} | C | 17 | Global OE, Disable | – | 7.0 | – | 9.0 | – | 12.0 | ns |
| t _{wh} | – | 18 | External Synchronous Clock Pulse Duration, High | 4.0 | – | 5.0 | – | 6.0 | – | ns |
| t _{wl} | – | 19 | External Synchronous Clock Pulse Duration, Low | 4.0 | – | 5.0 | – | 6.0 | – | ns |

1. Unless noted otherwise, all parameters use the GRP, 20 PTXOR path, ORP and Y0 clock.
2. Refer to Timing Model in this data sheet for further details.
3. Standard 16-bit counter using GRP feedback.
4. Reference Switching Test Conditions section.

Table 2-0030/2096

Select devices have been discontinued. See Ordering Information section for product status.

Internal Timing Parameters¹

Over Recommended Operating Conditions

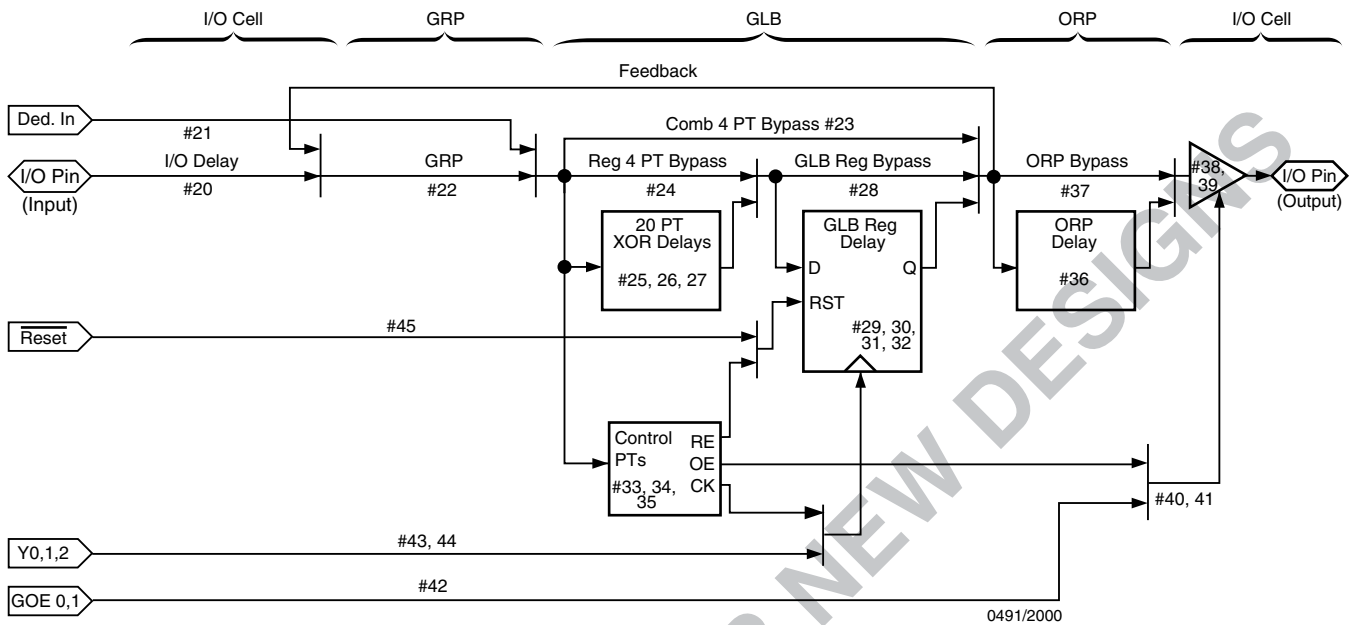
| PARAMETER | # ² | DESCRIPTION | -125 | | -100 | | -80 | | UNITS |
|----------------------------|----------------|---|------|------|------|------|------|------|-------|
| | | | MIN. | MAX. | MIN. | MAX. | MIN. | MAX. | |
| Inputs | | | | | | | | | |
| t_{io} | 20 | Input Buffer Delay | – | 0.2 | – | 0.5 | – | 1.8 | ns |
| t_{din} | 21 | Dedicated Input Delay | – | 1.5 | – | 2.2 | – | 4.4 | ns |
| GRP | | | | | | | | | |
| t_{grp} | 22 | GRP Delay | – | 1.3 | – | 1.7 | – | 2.6 | ns |
| GLB | | | | | | | | | |
| t_{4ptbpc} | 23 | 4 Product Term Bypass Comb. Path Delay | – | 4.5 | – | 5.8 | – | 8.1 | ns |
| t_{4ptbpr} | 24 | 4 Product Term Bypass Reg. Path Delay | – | 5.0 | – | 5.8 | – | 6.8 | ns |
| t_{1ptxor} | 25 | 1 Product Term/XOR Path Delay | – | 5.7 | – | 6.8 | – | 8.0 | ns |
| t_{20ptxor} | 26 | 20 Product Term/XOR Path Delay | – | 6.0 | – | 7.3 | – | 8.8 | ns |
| t_{xoradj} | 27 | XOR Adjacent Path Delay ³ | – | 6.5 | – | 8.0 | – | 9.8 | ns |
| t_{gbp} | 28 | GLB Register Bypass Delay | – | 0.5 | – | 0.5 | – | 1.3 | ns |
| t_{gsu} | 29 | GLB Register Setup Time before Clock | 0.8 | – | 1.2 | – | 1.4 | – | ns |
| t_{gh} | 30 | GLB Register Hold Time after Clock | 3.0 | – | 4.0 | – | 6.0 | – | ns |
| t_{gco} | 31 | GLB Register Clock to Output Delay | – | 0.2 | – | 0.3 | – | 0.4 | ns |
| t_{gro} | 32 | GLB Register Reset to Output Delay | – | 1.1 | – | 1.3 | – | 1.6 | ns |
| t_{ptre} | 33 | GLB Product Term Reset to Register Delay | – | 4.8 | – | 6.1 | – | 8.6 | ns |
| t_{ptoe} | 34 | GLB Product Term Output Enable to I/O Cell Delay | – | 7.3 | – | 8.6 | – | 9.0 | ns |
| t_{ptck} | 35 | GLB Product Term Clock Delay | 3.3 | 5.6 | 4.1 | 7.1 | 5.6 | 10.2 | ns |
| ORP | | | | | | | | | |
| t_{orp} | 36 | ORP Delay | – | 0.8 | – | 1.4 | – | 2.0 | ns |
| t_{orpbp} | 37 | ORP Bypass Delay | – | 0.3 | – | 0.4 | – | 0.5 | ns |
| Outputs | | | | | | | | | |
| t_{ob} | 38 | Output Buffer Delay | – | 1.2 | – | 1.6 | – | 2.0 | ns |
| t_{sl} | 39 | Output Slew Limited Delay Adder | – | 10.0 | – | 10.0 | – | 10.0 | ns |
| t_{oen} | 40 | I/O Cell OE to Output Enabled | – | 3.2 | – | 4.2 | – | 4.6 | ns |
| t_{odis} | 41 | I/O Cell OE to Output Disabled | – | 3.2 | – | 4.2 | – | 4.6 | ns |
| t_{goe} | 42 | Global Output Enable | – | 3.8 | – | 4.8 | – | 7.4 | ns |
| Clocks | | | | | | | | | |
| t_{gy0} | 43 | Clock Delay, Y0 to Global GLB Clock Line (Ref. Clock) | 2.3 | 2.3 | 2.7 | 2.7 | 3.6 | 3.6 | ns |
| t_{gy1/2} | 44 | Clock Delay, Y1 or Y2 to Global GLB Clock Line | 2.3 | 2.3 | 2.7 | 2.7 | 3.6 | 3.6 | ns |
| Global Reset | | | | | | | | | |
| t_{gr} | 45 | Global Reset to GLB | – | 6.9 | – | 9.2 | – | 11.4 | ns |

1. Internal Timing Parameters are not tested and are for reference only.
 2. Refer to Timing Model in this data sheet for further details.
 3. The XOR adjacent path can only be used by hard macros.

Table 2-0036/2096

Select devices have been discontinued. See Ordering Information section for product status.

ispLSI 2096/A Timing Model



Derivations of t_{su} , t_h and t_{co} from the Product Term Clock

$$\begin{aligned}
 t_{su} &= \text{Logic} + \text{Reg } s_u - \text{Clock (min)} \\
 &= (t_{io} + t_{grp} + t_{20ptxor}) + (t_{gsu}) - (t_{io} + t_{grp} + t_{ptck(min)}) \\
 &= (\#20 + \#22 + \#26) + (\#29) - (\#20 + \#22 + \#35) \\
 3.5 \text{ ns} &= (0.2 + 1.3 + 6.0) + (0.8) - (0.2 + 1.3 + 3.3) \\
 \\
 t_h &= \text{Clock (max)} + \text{Reg } h - \text{Logic} \\
 &= (t_{io} + t_{grp} + t_{ptck(max)}) + (t_{gh}) - (t_{io} + t_{grp} + t_{20ptxor}) \\
 &= (\#20 + \#22 + \#35) + (\#30) - (\#20 + \#22 + \#26) \\
 2.6 \text{ ns} &= (0.2 + 1.3 + 5.6) + (3.0) - (0.2 + 1.3 + 6.0) \\
 \\
 t_{co} &= \text{Clock (max)} + \text{Reg } c_o + \text{Output} \\
 &= (t_{io} + t_{grp} + t_{ptck(max)}) + (t_{gco}) + (t_{orp} + t_{ob}) \\
 &= (\#20 + \#22 + \#35) + (\#31) + (\#36 + \#38) \\
 9.3 \text{ ns} &= (0.2 + 1.3 + 5.6) + (0.2) + (0.8 + 1.2)
 \end{aligned}$$

Note: Calculations are based upon timing specifications for the ispLSI 2096/A-125L.

Table 2-0042B/2096

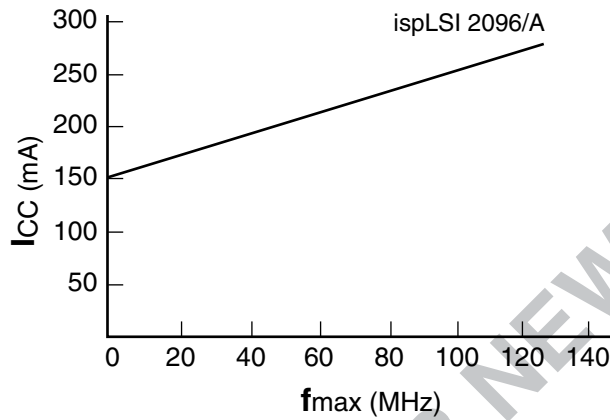
Select devices have been discontinued. See Ordering Information section for product status.

Power Consumption

Power consumption in the ispLSI 2096 and 2096A devices depends on two primary factors: the speed at which the device is operating and the number of Product Terms

used. Figure 4 shows the relationship between power and operating speed.

Figure 4. Typical Device Power Consumption vs fmax



Notes: Configuration of six 16-bit counters
Typical current at 5V, 25°C

ICC can be estimated for the ispLSI 2096/A using the following equation:

$$I_{CC}(mA) = 20 + (\# \text{ of PTs} * 0.67) + (\# \text{ of nets} * \text{Max freq} * 0.011)$$

Where:

- # of PTs = Number of Product Terms used in design
- # of nets = Number of Signals used in device
- Max freq = Highest Clock Frequency to the device (in MHz)

The ICC estimate is based on typical conditions (VCC = 5.0V, room temperature) and an assumption of two GLB loads on average exists. These values are for estimates only. Since the value of ICC is sensitive to operating conditions and the program in the device, the actual ICC should be verified.

0127/2096

Select devices have been discontinued. See Ordering Information section for product status.

Pin Description

| NAME | PQFP & TQFP PIN NUMBERS | DESCRIPTION |
|---|--|--|
| I/O 0 - I/O 5 I/O 6 - I/O 11 I/O 12 - I/O 17 I/O 18 - I/O 23 I/O 24 - I/O 29 I/O 30 - I/O 35 I/O 36 - I/O 41 I/O 42 - I/O 47 I/O 48 - I/O 53 I/O 54 - I/O 59 I/O 60 - I/O 65 I/O 66 - I/O 71 I/O 72 - I/O 77 I/O 78 - I/O 83 I/O 84 - I/O 89 I/O 90 - I/O 95 | 21, 22, 23, 24, 25, 26 27, 28, 29, 30, 31, 32 34, 35, 36, 37, 38, 39 40, 41, 42, 43, 44, 45 52, 53, 54, 55, 56, 57 58, 59, 60, 61, 62, 63 66, 67, 68, 69, 70, 71 72, 73, 74, 75, 76, 77 85, 86, 87, 88, 89, 90 91, 92, 93, 94, 95, 96 98, 99, 100, 101, 102, 103 104, 105, 106, 107, 108, 109 117, 118, 119, 120, 121, 122 123, 124, 125, 126, 127, 128 2, 3, 4, 5, 6, 7 8, 9, 10, 11, 12, 13 | Input/Output Pins - These are the general purpose I/O pins used by the logic array. |
| GOE 0, GOE 1 | 64, 114 | Global Output Enables input pins. |
| IN 2, IN 4, IN 5 | 51, 84, 110 | Dedicated input pins to the device. |
| $\overline{\text{ispEN}}$ | 18 | Input - Dedicated in-system programming enable input pin. This pin is brought low to enable the programming mode. The MODE, SDI, SDO and SCLK options become active. |
| SDI/IN 0 ² | 20 | Input - This pin performs two functions. When $\overline{\text{ispEN}}$ is logic low, it functions as an input pin to load programming data into the device. SDI/IN0 also is used as one of the two control pins for the isp state machine. When $\overline{\text{ispEN}}$ is high, it functions as a dedicated input pin. |
| MODE/IN 1 ² | 46 | Input - This pin performs two functions. When $\overline{\text{ispEN}}$ is logic low, it functions as a pin to control the operation of the isp state machine. When $\overline{\text{ispEN}}$ is high, it functions as a dedicated input pin. |
| SDO | 50 | Output - When $\overline{\text{ispEN}}$ is logic low, it functions as an output pin to read serial shift register data. |
| SCLK/IN 3 ² | 78 | Input - This pin performs two functions. When $\overline{\text{ispEN}}$ is logic low, it functions as a clock pin for the Serial Shift Register. When $\overline{\text{ispEN}}$ is high, it functions as a dedicated input pin. |
| $\overline{\text{RESET}}$ | 19 | Active Low (0) Reset pin which resets all of the GLB and I/O registers in the device. |
| Y0, Y1, Y2 | 15, 83, 80 | Dedicated Clock input. This clock input is connected to one of the clock inputs of all the GLBs on the device. |
| GND | 1, 17, 33, 49, 65, 81, 97, 112 | Ground (GND) |
| VCC | 16, 48, 82, 113 | VCC |
| NC ¹ | 14, 47, 79, 111, 115, 116 | No Connect. |

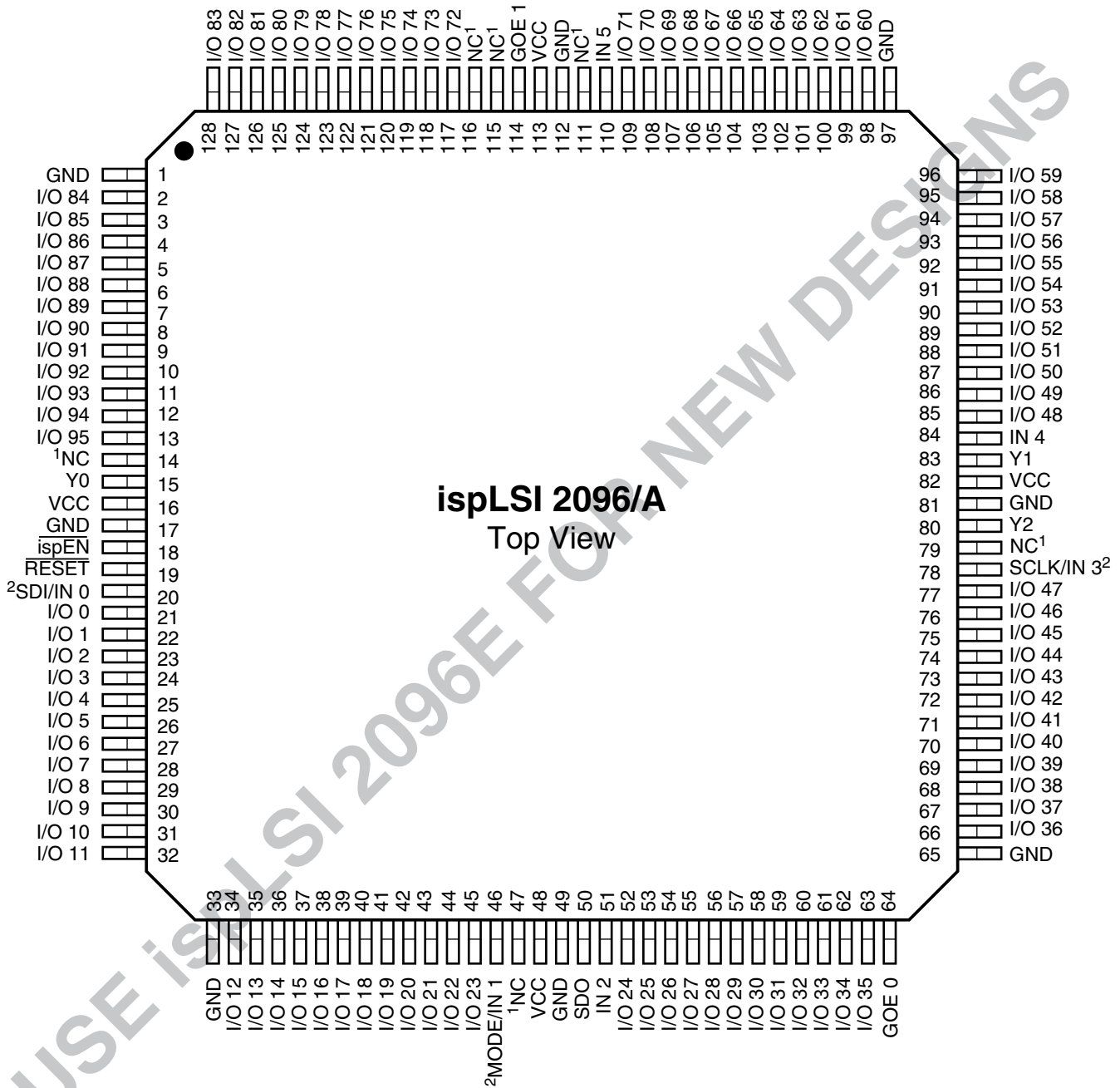
1. NC pins are not to be connected to any active signals, VCC or GND.
2. Pins have dual function capability.

Table 2-0002-2096

Select devices have been discontinued. See Ordering Information section for product status.

Pin Configuration

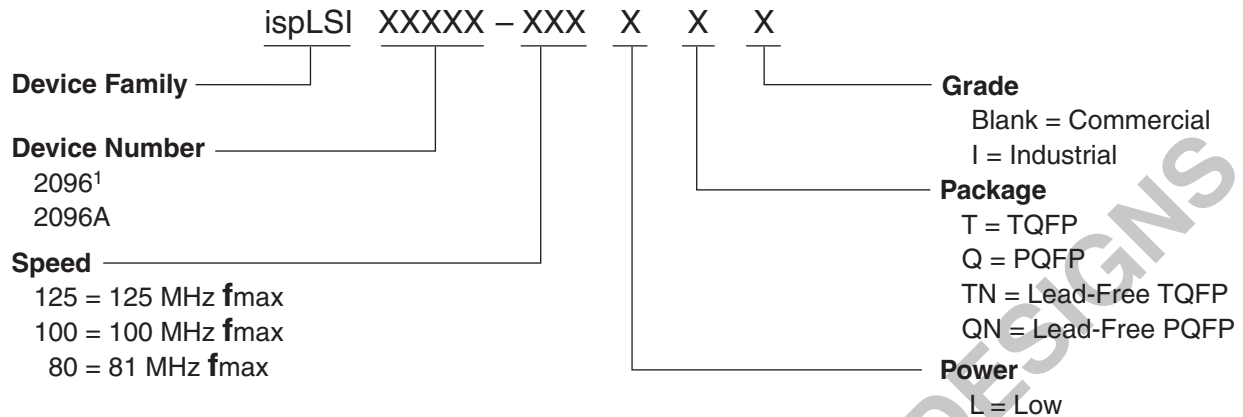
ispLSI 2096/A 128-pin PQFP and TQFP Pinout Diagram



1. NC pins are not to be connected to any active signals, VCC or GND.
2. Pins have dual function capability.

Select devices have been discontinued.
See Ordering Information section for product status.

Part Number Description



1. Discontinued per PCN #02-06. Contact Rochester Electronics for available inventory.

ispLSI 2096/A Ordering Information

Conventional Packaging

COMMERCIAL

| FAMILY | f _{max} (MHz) | t _{pd} (ns) | ORDERING NUMBER | PACKAGE |
|--------|------------------------|----------------------|--------------------------------|--------------|
| ispLSI | 125 | 7.5 | ispLSI 2096A-125LQ128 | 128-Pin PQFP |
| | 125 | 7.5 | ispLSI 2096A-125LT128 | 128-Pin TQFP |
| | 100 | 10 | ispLSI 2096A-100LQ128 | 128-Pin PQFP |
| | 100 | 10 | ispLSI 2096A-100LT128 | 128-Pin TQFP |
| | 81 | 15 | ispLSI 2096A-80LQ128 | 128-Pin PQFP |
| | 81 | 15 | ispLSI 2096A-80LT128 | 128-Pin TQFP |
| | 125 | 7.5 | ispLSI 2096-125LQ ¹ | 128-Pin PQFP |
| | 125 | 7.5 | ispLSI 2096-125LT ¹ | 128-Pin TQFP |
| | 100 | 10 | ispLSI 2096-100LQ ¹ | 128-Pin PQFP |
| | 100 | 10 | ispLSI 2096-100LT ¹ | 128-Pin TQFP |
| | 81 | 15 | ispLSI 2096-80LQ ¹ | 128-Pin PQFP |
| | 81 | 15 | ispLSI 2096-80LT ¹ | 128-Pin TQFP |

1. Discontinued per PCN #02-06. Contact Rochester Electronics for available inventory.

INDUSTRIAL

| FAMILY | f _{max} (MHz) | t _{pd} (ns) | ORDERING NUMBER | PACKAGE |
|--------|------------------------|----------------------|--------------------------------|--------------|
| ispLSI | 81 | 15 | ispLSI 2096A-80LQ128I | 128-Pin PQFP |
| | 81 | 15 | ispLSI 2096A-80LT128I | 128-Pin TQFP |
| | 81 | 15 | ispLSI 2096-80LQI ¹ | 128-Pin PQFP |
| | 81 | 15 | ispLSI 2096-80LTI ¹ | 128-Pin TQFP |

1. Discontinued per PCN #02-06. Contact Rochester Electronics for available inventory.

Select devices have been discontinued. See Ordering Information section for product status.

ispLSI 2096/A Ordering Information (Cont.)

Lead-Free Packaging

COMMERCIAL

| FAMILY | fmax (MHz) | tpd (ns) | ORDERING NUMBER | PACKAGE |
|--------|------------|----------|------------------------|------------------------|
| ispLSI | 125 | 7.5 | ispLSI 2096A-125LQN128 | Lead-Free 128-Pin PQFP |
| | 125 | 7.5 | ispLSI 2096A-125LTN128 | Lead-Free 128-Pin TQFP |
| | 100 | 10 | ispLSI 2096A-100LQN128 | Lead-Free 128-Pin PQFP |
| | 100 | 10 | ispLSI 2096A-100LTN128 | Lead-Free 128-Pin TQFP |
| | 81 | 15 | ispLSI 2096A-80LQN128 | Lead-Free 128-Pin PQFP |
| | 81 | 15 | ispLSI 2096A-80LTN128 | Lead-Free 128-Pin TQFP |

INDUSTRIAL

| FAMILY | fmax (MHz) | tpd (ns) | ORDERING NUMBER | PACKAGE |
|--------|------------|----------|------------------------|------------------------|
| ispLSI | 81 | 15 | ispLSI 2096A-80LQN128I | Lead-Free 128-Pin PQFP |
| | 81 | 15 | ispLSI 2096A-80LTN128I | Lead-Free 128-Pin TQFP |

Revision History

| Date | Version | Change Summary |
|-------------|---------|--|
| — | 08 | Previous Lattice release. |
| August 2006 | 09 | Updated for lead-free package options. |

Select devices have been discontinued. See Ordering Information section for product status.

USE ispLSI 2096E FOR NEW DESIGNS