

IGBT-IPM R series

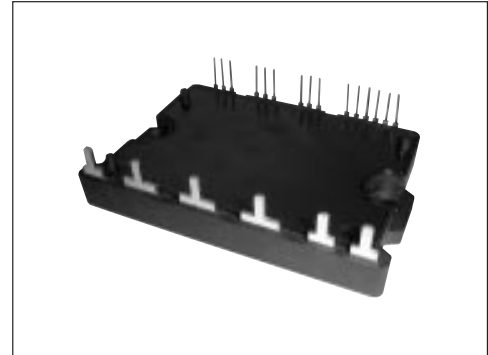
600V / 20A / 6 in one-package

■ Features

- Low power loss and soft switching
- High performance and high reliability IGBT with overheating protection
- Higher reliability because of a big decrease in number of parts in built-in control circuit

■ Applications

- Inverter for motor drive
- AC and DC servo drive amplifier
- UPS (Uninterruptible power supply)



■ Maximum ratings and characteristics

● Absolute maximum ratings (T_c=25°C unless otherwise specified)

Item	Symbol	Rating	Unit
DC bus voltage	V _{DC}	450	V
DC bus voltage (Surge)	V _{DC (surge)}	500	V
DC bus voltage (Short operating)	V _{SC}	400	V
Collector-Emitter voltage	V _{CES}	600	V
Collector current	DC	I _C	20
	1ms	I _{CP}	40
	Duty=49.6%	-I _C	20
Collector power dissipation	P _C	63	W
Junction temperature	T _J	150	°C
Input voltage of power supply for pre-driver	V _{CC}	-0.3 to 20	V
Input signal voltage	V _{in}	V _Z	V
Input signal current	I _{in}	1	mA
Alarm signal voltage	V _{ALM}	V _{CC}	V
Alarm signal current	I _{ALM}	15	mA
Storage temperature	T _{stg}	-40 to 125	°C
Operating case temperature	T _{cop}	-20 to 100	°C
Isolating voltage (Terminal to base, 50/60Hz sine wave 1min.)	V _{iso}	AC 2500	V
Screw torque	Mounting (M4)	2.0	N • m

● Electrical characteristics of power circuit (T_c=T_j=25°C, V_{CC}=15V)

Item	Symbol	Condition	Min.	Typ.	Max.	Unit
Collector current at off signal input	I _{CES}	V _{CE} =600V, V _{in} open	-	-	1.0	mA
Collector-Emitter saturation voltage	V _{CE (sat)}	I _C =20A	-	-	2.7	V
Forward voltage of FWD	V _F	-I _C =20A	-	-	3.5	V

● Electrical characteristics of control circuit (Tc=Tj=25°C, Vcc=15V)

Item	Symbol	Condition	Min.	Typ.	Max.	Unit
Power supply current of P-line pre-driver (one unit)	ICCP	Vin=H	–	2.0	5.0	mA
Power supply current of N-line pre-driver	ICCN	Vin=H	–	4.0	10.0	mA
Input signal threshold voltage	Vin (th)	Turn-on	1.00	1.35	1.70	V
		Turn-off	1.25	1.60	1.95	V
Input zener voltage	Vz	Rin=20kΩ	–	8.0	–	V
IGBT chips overheat protection temperature level	Tjoh	Surface of IGBT	150	–	–	°C
Hysteresis	Tjh		–	20	–	°C
Collector current protection level	Ioc	N-side, (N1-N2 open)	30	37	44	A
	Voc	Between N1 and N2	190	200	210	mV
OC detecting resistance value	Roc		–	5.4	–	mΩ
Protection delay time	tDOC	Tj=25°C Fig. 1, Fig. 2	–	5.0	7.0	μs
Undervoltage protection level	VUV		11.0	–	12.5	V
Hysteresis	VH		0.2	–	0.8	V
Alarm signal hold time	tALM		1.0	2.0	–	ms

● Switching characteristics (Tc=Tj=25°C, Vcc=15V)

Item	Symbol	Condition	Min.	Typ.	Max.	Unit
Switching time (IGBT) See Fig. 3	ton	Ic=20A, Vdc=300V	0.5	–	–	μs
	toff	Inductive-Load	–	–	3.5	μs
Switching time (FWD)	ttr		–	–	0.5	μs

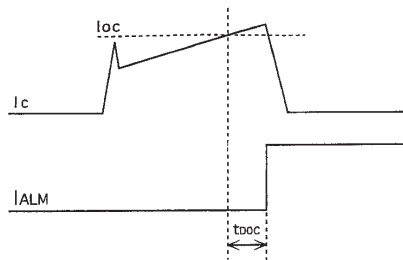


Fig.1 Definition of OC delay time

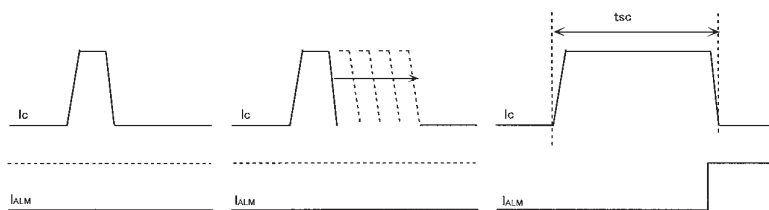


Fig.2 Definition of tsc

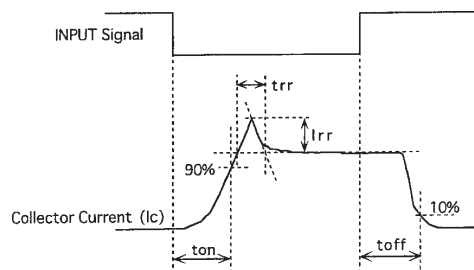


Fig.3 Definition of switching time

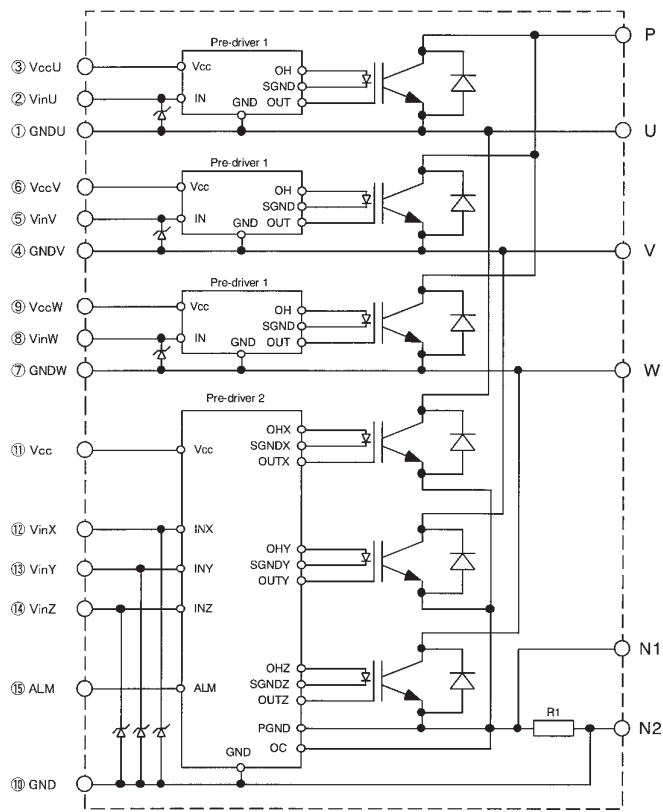
● Thermal characteristics (Tc=Tj=25°C, Vcc=15V)

Item	Symbol	Min.	Typ.	Max.	Unit	
Junction to case thermal resistance	IGBT	Rth (j-c)	–	–	2.0	°C/W
	FWD	Rth (j-c)	–	–	3.6	°C/W
Case to fin thermal resistance with compound	Rth (c-f)	–	0.05	–	°C/W	

● Recommendable value

Item	Symbol	Min.	Typ.	Max.	Unit
DC bus voltage	Vdc	200	–	400	V
Operating power supply voltage range of pre-drive	Vcc	13.5	15	16.5	V
Switching frequency	fsw	1	–	20	kHz
Flatness of heat sink	–	–100	–	100	μm
Mounting screw torque (M4)	–	1.3	–	1.7	N • m

Block diagram



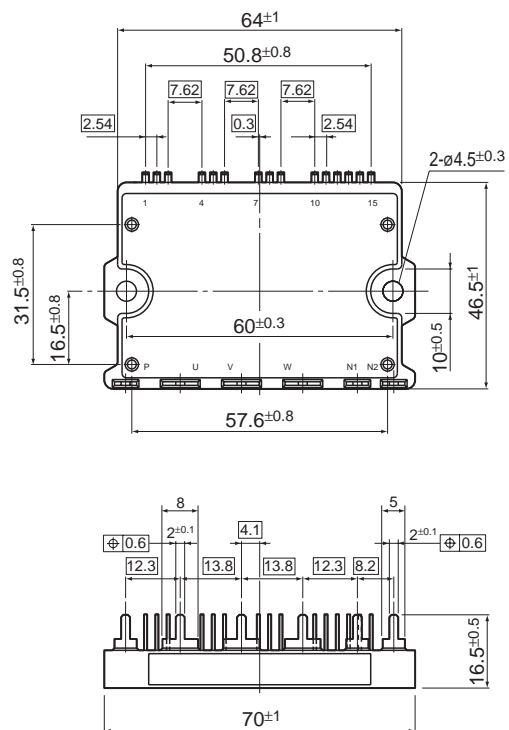
Pre-driver 1 includes following functions. (P-side)

- Amplifier for drive
- Power supply undervoltage protection
- IGBT chip overheating protection

Pre-driver 2 includes following functions. (N-side)

- Amplifier for drive
- Power supply undervoltage protection
- IGBT chip overheating protection
- Overcurrent protection
- Alarm signal output

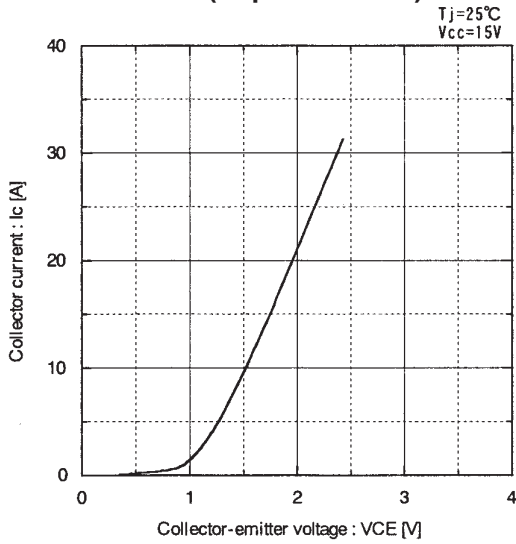
Outline drawings, mm



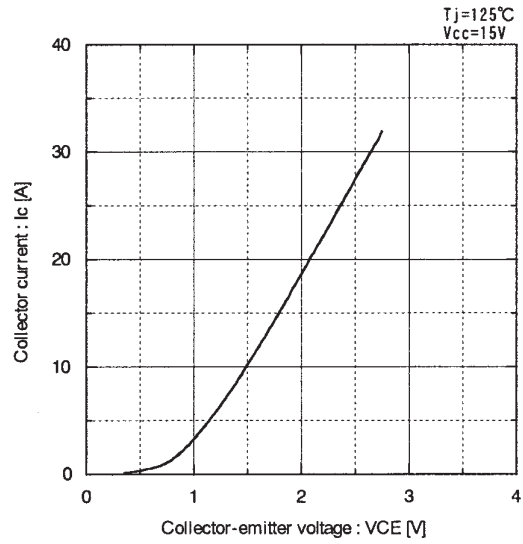
□ Shows theory dimensions

Mass: 50g

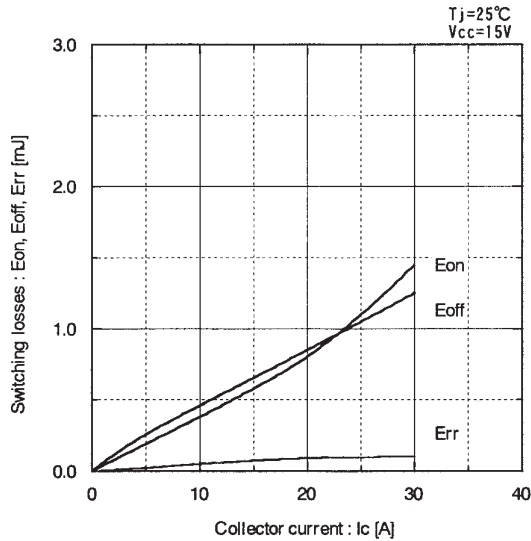
■ Characteristics (Representative)



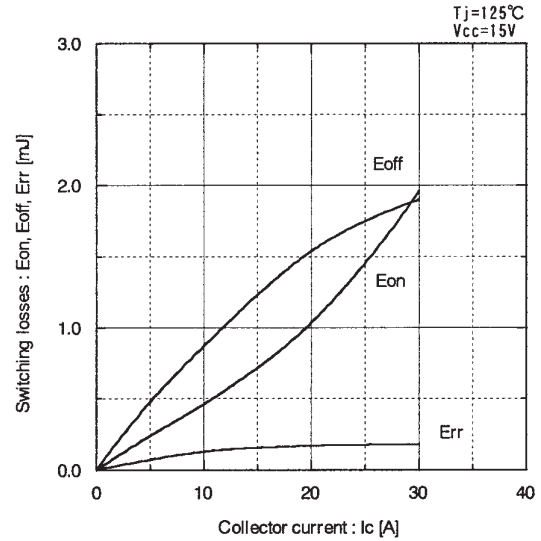
Collector current vs. Collector-emitter voltage



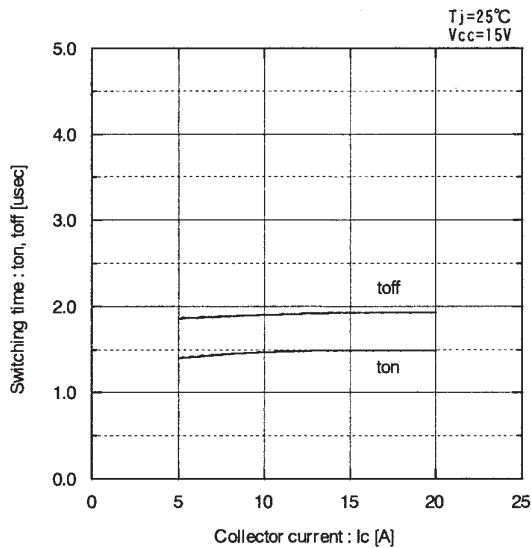
Collector current vs. Collector-emitter voltage



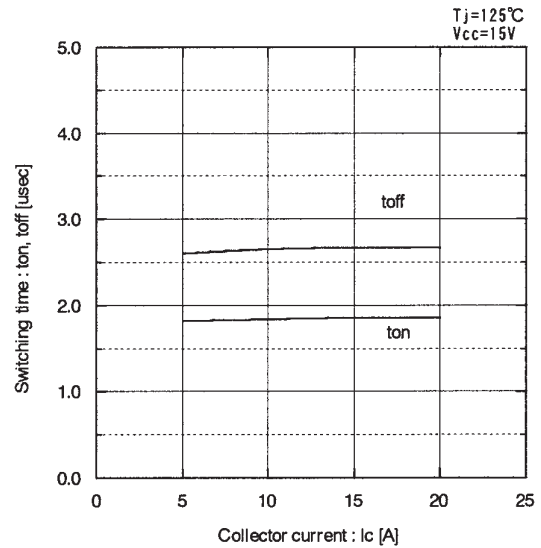
Switching losses vs. Collector current



Switching losses vs. Collector current



Switching time vs. Collector current



Switching time vs. Collector current

