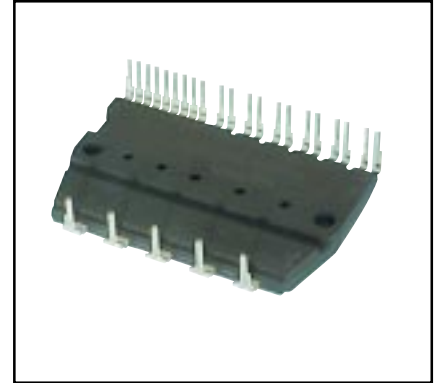
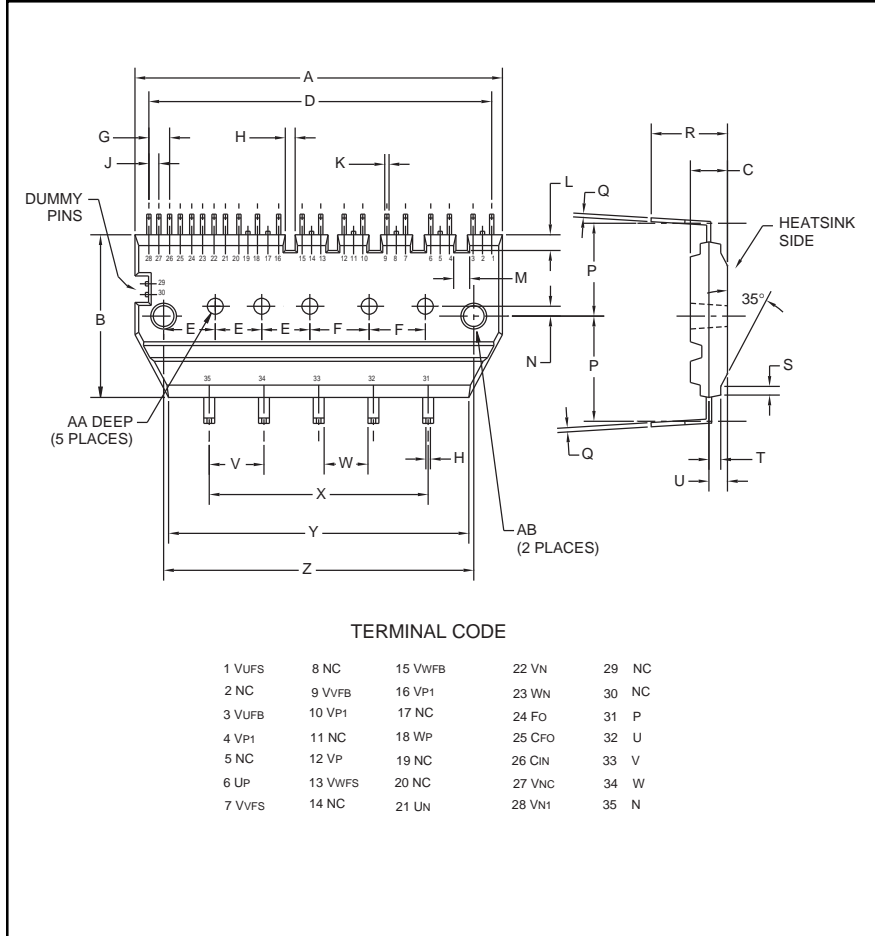


Intellimod™ Module Dual-In-Line Intelligent Power Module 5 Amperes/600 Volts



Description:
DIP and mini-DIP IPMs are intelligent power modules that integrate power devices, drivers, and protection circuitry in an ultra compact dual-in-line transfer-mold package for use in driving small three phase motors. Use of 4th generation IGBTs, DIP packaging, and application specific HVICs allow the designer to reduce inverter size and overall design time.

- Features:**
- Compact Packages
 - Single Power Supply
 - Integrated HVICs
 - Direct Connection to CPU
 - Optimized for 5kHz Operation

- Applications:**
- Washing Machines
 - Refrigerators
 - Air Conditioners
 - Small Servo Motors
 - Small Motor Control

Ordering Information:
PS21342-G is a 600V, 5 Ampere Mini-DIP Intelligent Power Module.

Outline Drawing and Circuit Diagram

Dimensions	Inches	Millimeters
A	1.93	49.0
B	1.20	30.5
C	0.20	5.0
D	1.82	46.23
E	0.25	6.25
F	0.32	8.0
G	0.14	3.556
H	0.04	1.0
J	0.07	1.778
K	0.02	0.5
L	0.06	1.5
M	0.07 Min.	1.8 Min.
N	0.30	0.75

Dimensions	Inches	Millimeters
P	0.69	17.4
Q	0.02	0.5
R	0.41	10.5
S	0.05	1.2
T	0.05	1.25
U	0.10	2.5
V	0.30	7.62
W	0.16 Min.	4.0 Min.
X	1.20	30.48
Y	1.61	41.0
Z	1.65	42.0
AA	0.08 Dia.	2.0 Dia.
AB	0.13 Dia.	3.3 Dia.

PS21342-G
Intellimod™ Module
Dual-In-Line Intelligent Power Module
 5 Amperes/600 Volts

Absolute Maximum Ratings, $T_j = 25^\circ\text{C}$ unless otherwise specified

Characteristics	Symbol	PS21342-G	Units
Power Device Junction Temperature*	T_j	-20 to 150	$^\circ\text{C}$
Storage Temperature	T_{stg}	-40 to 125	$^\circ\text{C}$
Heatsink Temperature (See T_f Measure Point Illustration)	T_f	-20 to 100	$^\circ\text{C}$
Mounting Torque, M3 Mounting Screws	—	8.5	in-lb
Module Weight (Typical)	—	20	Grams
Heatsink Flatness	—	-50 to 100	μm
Self-protection Supply Voltage Limit (Short Circuit Protection Capability)**	$V_{\text{CC(prot.)}}$	400	Volts
Isolation Voltage, AC 1 minute, 60Hz Sinusoidal, Connection Pins to Heatsink Plate	V_{ISO}	1500	Volts

*The maximum junction temperature rating of the power chips integrated within the DIP-IPM is 150°C ($@T_f \leq 100^\circ\text{C}$). However, to ensure safe operation of the DIP-IPM, the average junction temperature should be limited to $T_{j(\text{avg})} \leq 125^\circ\text{C}$ ($@T_f \leq 100^\circ\text{C}$).

** $V_D = 13.5 \sim 16.5\text{V}$, Inverter Part, $T_j = 125^\circ\text{C}$, Non-repetitive, Less than $2\mu\text{s}$

IGBT Inverter Sector

Collector-Emitter Voltage	V_{CES}	600	Volts
Collector Current, \pm ($T_C = 25^\circ\text{C}$)	I_C	5	Amperes
Peak Collector Current, \pm ($T_C = 25^\circ\text{C}$, Instantaneous Value (Pulse))	I_{CP}	10	Amperes
Supply Voltage (Applied between P - N)	V_{CC}	450	Volts
Supply Voltage, Surge (Applied between P - N)	$V_{\text{CC(surge)}}$	500	Volts
Collector Dissipation ($T_C = 25^\circ\text{C}$, per 1 Chip)	P_C	20	Watts

Control Sector

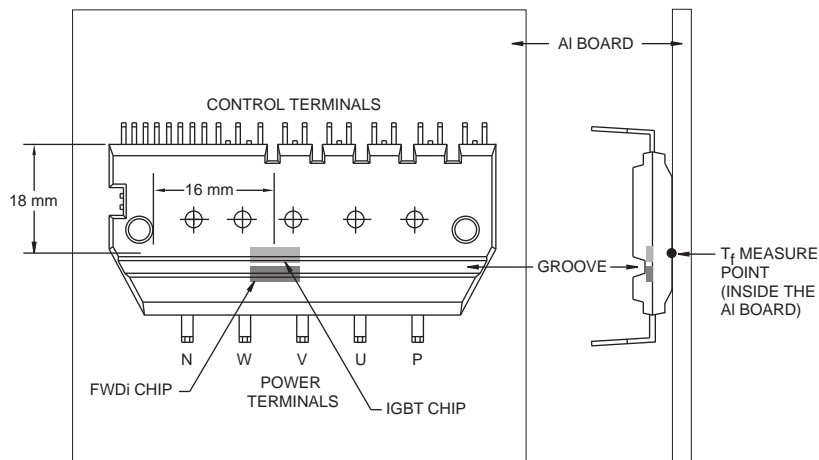
Supply Voltage (Applied between $V_{P1}-V_{\text{NC}}$, $V_{N1}-V_{\text{NC}}$)	V_D	20	Volts
Supply Voltage (Applied between $V_{\text{UFB}}-V_{\text{UFS}}$, $V_{\text{VFB}}-V_{\text{VFS}}$, $V_{\text{WFB}}-V_{\text{WFS}}$)	V_{DB}	20	Volts
Input Voltage (Applied between U_P , V_P , W_P-V_{NC} , U_N , V_N , W_N-V_{NC})	V_{CIN}	-0.5 ~ 5.5	Volts
Fault Output Supply Voltage (Applied between F_O-V_{NC})	V_{FO}	-0.5 ~ $V_D+0.5$	Volts
Fault Output Current (Sink Current at F_O Terminal)	I_{FO}	15	mA
Current Sensing Input Voltage (Applied between $C_{\text{IN}}-V_{\text{NC}}$)	V_{SC}	-0.5 ~ $V_D+0.5$	Volts

PS21342-G
Intellimod™ Module
Dual-In-Line Intelligent Power Module
 5 Amperes/600 Volts

Electrical and Mechanical Characteristics, $T_j = 25^\circ\text{C}$ unless otherwise specified

Characteristics	Symbol	Test Conditions	Min.	Typ.	Max.	Units
IGBT Inverter Sector						
Collector Cutoff Current	I_{CES}	$V_{CE} = V_{CES}, T_j = 25^\circ\text{C}$	—	—	1.0	mA
		$V_{CE} = V_{CES}, T_j = 125^\circ\text{C}$	—	—	10	mA
Diode Forward Voltage	V_{EC}	$T_j = 25^\circ\text{C}, -I_C = 5\text{A}, V_{CIN} = 5\text{V}$	—	2.20	3.00	Volts
Collector-Emitter Saturation Voltage	$V_{CE(sat)}$	$I_C = 5\text{A}, T_j = 25^\circ\text{C}, V_D = V_{DB} = 15\text{V}, V_{CIN} = 0\text{V}$	—	1.55	2.15	Volts
		$I_C = 5\text{A}, T_j = 125^\circ\text{C}, V_D = V_{DB} = 15\text{V}, V_{CIN} = 0\text{V}$	—	1.65	2.25	Volts
Inductive Load Switching Times	t_{on}	$V_{CC} = 300\text{V}, V_D = 15\text{V},$	0.10	0.60	1.10	μS
	t_{rr}	$I_C = 5\text{A},$	—	0.10	—	μS
	$t_{C(on)}$	$T_j = 125^\circ\text{C},$	—	0.20	0.60	μS
	t_{off}	Inductive Load (Upper-Lower Arm),	—	1.20	2.50	μS
	$t_{C(off)}$	$V_{CIN} = 5\text{V(off)}, 0\text{V(on)}$	—	0.70	1.60	μS

T_f Measure Point



PS21342-G
Intellimod™ Module
Dual-In-Line Intelligent Power Module
 5 Amperes/600 Volts

Electrical and Mechanical Characteristics, $T_j = 25^\circ\text{C}$ unless otherwise specified

Characteristics	Symbol	Test Conditions	Min.	Typ.	Max.	Units
Control Sector						
Supply Voltage	V_D	Applied between V_{P1} - V_{NC} , V_{N1} - V_{NC}	13.5	15.0	16.5	Volts
	V_{DB}	Applied between V_{UFB} - V_{UFS} , V_{VFB} - V_{VFS} , V_{WFB} - V_{WFS}	13.5	15.0	16.5	Volts
Circuit Current	I_D	$V_D = 15\text{V}$, $V_{CIN} = 5\text{V}$, $V_{DB} = 15\text{V}$, Total of V_{P1} - V_{NC} , V_{N1} - V_{NC}	—	4.25	8.50	mA
		$V_D = 15\text{V}$, $V_{CIN} = 0\text{V}$, $V_{DB} = 15\text{V}$, Total of V_{P1} - V_{NC} , V_{N1} - V_{NC}	—	4.95	9.70	mA
	I_D	$V_D = 15\text{V}$, $V_{CIN} = 5\text{V}$, $V_{DB} = 15\text{V}$, V_{UFB} - V_{UFS} , V_{VFB} - V_{VFS} , V_{WFB} - V_{WFS}	—	0.50	1.00	mA
		$V_D = 15\text{V}$, $V_{CIN} = 0\text{V}$, $V_{DB} = 15\text{V}$, V_{UFB} - V_{UFS} , V_{VFB} - V_{VFS} , V_{WFB} - V_{WFS}	—	0.50	1.00	mA
Fault Output Voltage	V_{FOH}	$V_{SC} = 0\text{V}$, F_O Circuit: 10k Ω to 5V Pull-up	4.9	—	—	Volts
	V_{FOL}	$V_{SC} = 1\text{V}$, F_O Circuit: 10k Ω to 5V Pull-up	—	0.8	1.2	Volts
	$V_{FO(sat)}$	$V_{SC} = 1\text{V}$, $I_{FO} = 15\text{mA}$	0.8	1.2	1.8	Volts
PWM Input Frequency	f_{PWM}	$T_j \leq 125^\circ\text{C}$, $T_f \leq 100^\circ\text{C}$	—	5	—	kHz
Allowable Dead Time	t_{DEAD}	Relates to Corresponding Input Signal for Blocking Arm Shoot-through ($T_f \leq 100^\circ\text{C}$)	3	—	—	μS
Short Circuit Trip Level*	$V_{SC(ref)}$	$T_j = 25^\circ\text{C}$, $V_D = 15\text{V}^*$	0.45	0.5	0.55	Volts
Supply Circuit Under-voltage	UV_{DBt}	Trip Level, $T_j \leq 125^\circ\text{C}$	10.0	—	12.0	Volts
	UV_{DBr}	Reset Level, $T_j \leq 125^\circ\text{C}$	10.5	—	12.5	Volts
	UV_{Dt}	Trip Level, $T_j \leq 125^\circ\text{C}$	10.3	—	12.5	Volts
	UV_{Dr}	Reset Level, $T_j \leq 125^\circ\text{C}$	10.8	—	13.0	Volts
Fault Output Pulse Width**	t_{FO}	$C_{FO} = 22\text{nF}$	1.0	1.8	—	mS
ON Threshold Voltage (H-side)	$V_{th(on)}$	Applied between U_P , V_P , W_P - V_{NC}	0.8	1.4	2.0	Volts
OFF Threshold Voltage (H-side)	$V_{th(off)}$		2.5	3.0	4.0	Volts
ON Threshold Voltage (L-side)	$V_{th(on)}$	Applied between U_N , V_N , W_N - V_{NC}	0.8	1.4	2.0	Volts
OFF Threshold Voltage (L-side)	$V_{th(off)}$		2.5	3.0	4.0	Volts

* Short Circuit protection operates only at the low-arms. Please select the value of the external shunt resistor such that the SC trip level is less than 8.5A.

**Fault signal is asserted when the low-arm short circuit or control supply under-voltage protective functions operate. The fault output pulse-width t_{FO} depends on the capacitance value of C_{FO} according to the following approximate equation: $C_{FO} = (12.2 \times 10^{-6}) \times t_{FO} (F)$.

PS21342-G
Intellimod™ Module
Dual-In-Line Intelligent Power Module
 5 Amperes/600 Volts

Thermal Characteristics

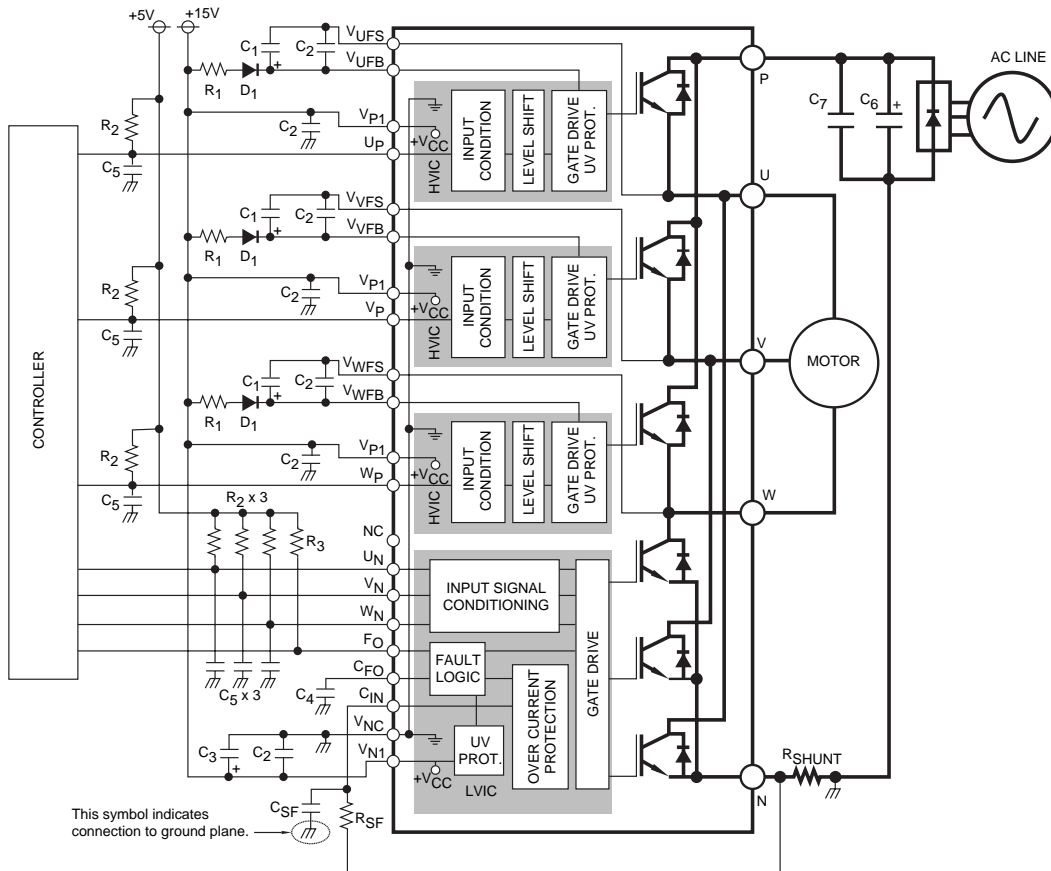
Characteristic	Symbol	Condition	Min.	Typ.	Max.	Units
Junction to Heatsink	$R_{th(j-f)Q}$	Each IGBT	—	—	6.0	°C/Watt
	$R_{th(j-f)D}$	Each FWDi	—	—	6.5	°C/Watt

Recommended Conditions for Use

Characteristic	Symbol	Condition	Min.	Typ.	Value	Units
Supply Voltage	V_{CC}	Applied between P-N Terminals	0	300	400	Volts
Control Supply Voltage	V_D	Applied between $V_{P1-V_{NC}}$, $V_{N1-V_{NC}}$	13.5	15.0	16.5	Volts
	V_{DB}	Applied between $V_{UFB-V_{UFS}}$, $V_{VFB-V_{VFS}}$, $V_{WFB-V_{WFS}}$	13.5	15.0	16.5	Volts
Control Supply dv/dt	dV_D/dt , dV_{DB}/dt		-1	—	1	V/ μ s
Input ON Voltage	$V_{CIN(on)}$	Applied between U_P , V_P , W_P-V_{NC}			0 ~ 0.65	Volts
Input OFF Voltage	$V_{CIN(off)}$	Applied between U_N , V_N , W_N-V_{NC}			4.0 ~ 5.5	Volts
PWM Input Frequency	f_{PWM}	$T_j \leq 125^\circ\text{C}$, $T_f \leq 100^\circ\text{C}$	—	5	—	kHz
Arm Shoot-through Blocking Time	t_{DEAD}	For Each Input Signal	3	—	—	μ s

PS21342-G
Intellimod™ Module
Dual-In-Line Intelligent Power Module
 5 Amperes/600 Volts

Mini-DIP IPM Application Circuit (Shown Pins Up)



This symbol indicates connection to ground plane.

Component Selection:

Dsgn.	Typ. Value	Description
D1	1A, 600V	Boot strap supply diode – Ultra fast recovery
C1	1-100uF, 50V	Boot strap supply reservoir – Electrolytic, long life, low Impedance, 105°C (Note 5)
C2	0.22-2.0uF, 50V	Local decoupling/High frequency noise filters – Multilayer ceramic (Note 8)
C3	10-100uF, 50V	Control power supply filter – Electrolytic, long life, low Impedance, 105°C
C4	22nF, 50V	Fault lock-out timing capacitor – Multilayer ceramic (Note 4)
C5	100-1000pF, 50V	Input signal noise filter – Multilayer ceramic (Note 1)
C6	200-2000uF, 450V	Main DC bus filter capacitor – Electrolytic, long life, high ripple current, 105°C
C7	0.1-0.22uF, 450V	Surge voltage suppression capacitor – Polyester/Polypropylene film (Note 9)
CSF	1000pF, 50V	Short circuit detection filter capacitor – Multilayer Ceramic (Note 6, Note 7)
RSF	1.8k ohm	Short circuit detection filter resistor (Note 6, Note 7)
RSHUNT	5-100mohm	Current sensing resistor – Non-inductive, temperature stable, tight tolerance (Note 10)
R1	1-100 ohm	Boot strap supply inrush limiting resistor (Note 5)
R2	4.7k ohm	Control input pull-up resistor (Note 1, Note 2)
R3	5.1k ohm	Fault output signal pull-up resistor (Note 3)

Notes:

- 1) To prevent input signal oscillations minimize wiring length to controller (~2cm). Additional RC filtering (C5 etc.) may be required. If filtering is added be careful to maintain proper dead time. See application notes for details.
- 2) Internal HVIC provides high voltage level shifting allowing direct connection of all six driving signals to the controller.
- 3) FO output is an open collector type. This signal should be pulled high with 5.1k ohm resistor (R3).
- 4) C4 sets the fault output duration and lock-out time. $C4 = 12.2E^{-6} \times t_{FO}$, 22nF gives ~1.8ms
- 5) Boot strap supply component values must be adjusted depending on the PWM frequency and technique.
- 6) Wiring length associated with RSHUNT, RSF, CSF must be minimized to avoid improper operation of the OC function.
- 7) RSF, CSF set over current protection trip time. Recommend time constant is 1.5us-2.0us. See application notes.
- 8) Local decoupling/high frequency filter capacitors must be connected as close as possible to the modules pins.
- 9) The length of the DC link wiring between C6, C7, the DIP's P terminal and the shunt must be minimized to prevent excessive transient voltages. In particular C7 should be mounted as close to the DIP as possible.
- 10) Use high quality, tight tolerance current sensing resistor. Connect resistor as close as possible to the DIP's N terminal. Be careful to check for proper power rating. See application notes for calculation of resistance value.