

DATA SHEET

For a complete data sheet, please also download:

- The IC04 LOCMOS HE4000B Logic Family Specifications HEF, HEC
- The IC04 LOCMOS HE4000B Logic Package Outlines/Information HEF, HEC

HEF4527B **MSI** **BCD rate multiplier**

Product specification
File under Integrated Circuits, IC04

January 1995

BCD rate multiplier

**HEF4527B
MSI**

DESCRIPTION

The HEF4527B is a BCD rate multiplier with two buffered rate outputs (O_1 and \overline{O}_1), two buffered terminal count outputs (TC and \overline{TC}), four BCD rate select inputs (S_A, S_B, S_C, S_D), a common clock input (CP), a preset input (PL), an overriding asynchronous clear input (CL), a strobe input (STR), a cascade input (CAS) and an active LOW count enable input (\overline{CE}).

The BCD rate multiplier provides an output pulse rate based upon the BCD input number. For example, if 6 is the BCD number, there will be six output pulses for every ten clock input pulses. The output is clocked on the negative-going transition of the clock.

When \overline{CE} , STR, CAS, CL and PL are LOW, the rate pulses are available at the outputs O_1 and \overline{O}_1 , the terminal count pulses at TC and \overline{TC} .

A HIGH on CL resets the counter, independent of all other input conditions and a rate of 10 pulses is available at O_1 and \overline{O}_1 when S_D is HIGH. When \overline{CE} is HIGH, the counter is disabled, the state of the outputs (O_1, \overline{O}_1) depend on the content of the counter.

A HIGH on PL sets the counter in the '9' state and TC becomes HIGH.

A HIGH on STR inhibits the outputs O_1 and \overline{O}_1 . A HIGH on CAS forces the output O_1 to HIGH, while the state of \overline{O}_1 depends on the inputs S_A to S_D (see lines 1 to 16 of function table).

This device may be used to perform arithmetic operations. For the add mode and multiply mode see Figs 5 and 6.

Schmitt-trigger action in the clock input makes the circuit highly tolerant to slower clock rise and fall times.

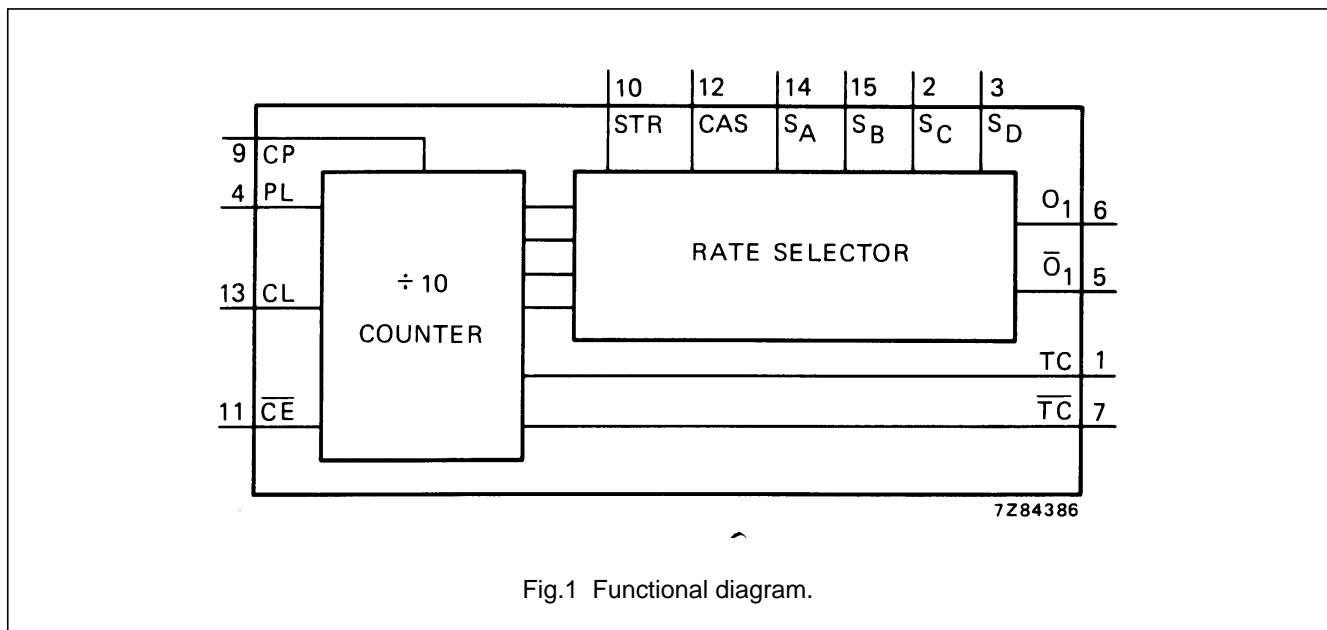
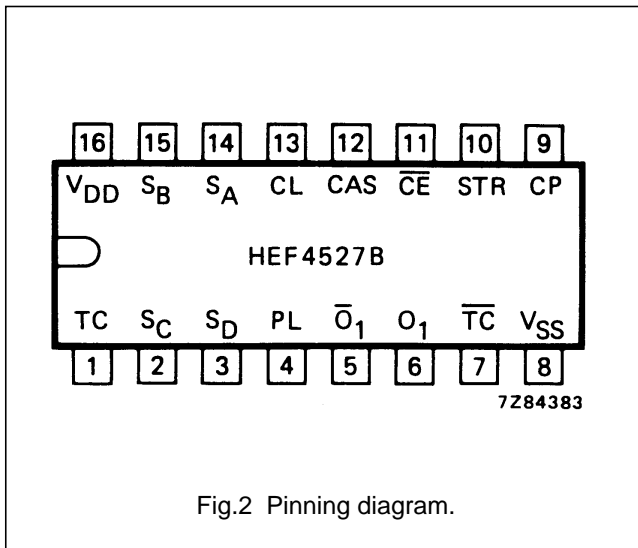


Fig.1 Functional diagram.

FAMILY DATA, I_{DD} LIMITS category MSI

See Family Specifications

BCD rate multiplier

HEF4527B
MSI

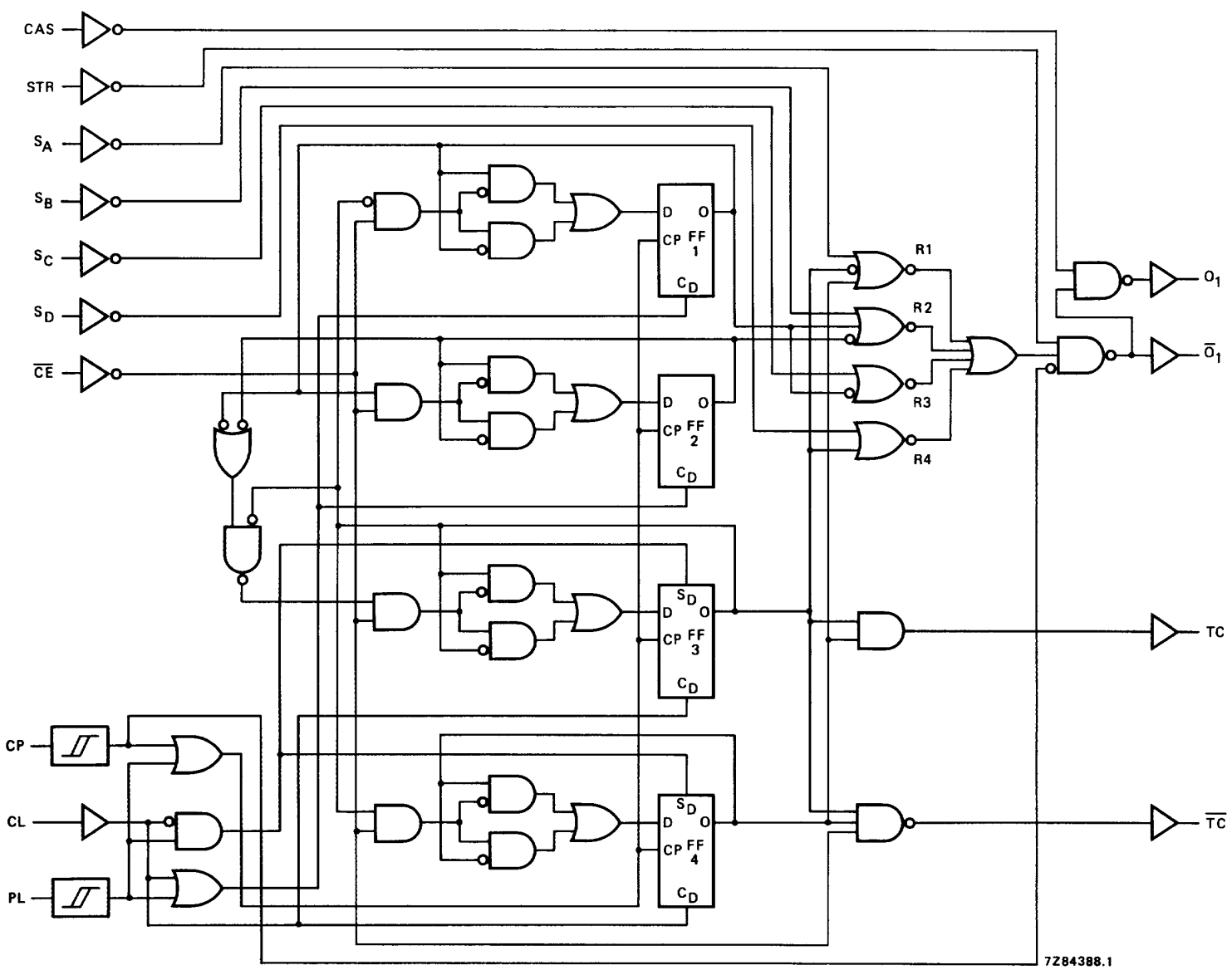
- HEF4527BP(N): 16-lead DIL; plastic
(SOT38-1)
- HEF4527BD(F): 16-lead DIL; ceramic (cerdip)
(SOT74)
- HEF4527BT(D): 16-lead SO; plastic
(SOT109-1)
- (): Package Designator North America

PINNING

CP	clock input
PL	preset to '9' input
CL	counter clear input
\overline{CE}	count enable input (active LOW)
STR	strobe input
CAS	cascade input
S_A to S_D	rate select inputs
O_1 to \overline{O}_1	rate outputs
TC	terminal count output (active HIGH)
\overline{TC}	terminal count output (active LOW)

BCD rate multiplier

HEF4527B
MSI



7284388.1

Fig.3 Logic diagram.

BCD rate multiplier

HEF4527B
MSI

FUNCTION TABLE

INPUTS										OUTPUTS				MODE OF OPERATION
NUMBER OF PULSES OR LOGIC LEVEL										NUMBER OF PULSES OR LOGIC LEVEL				
S _D	S _C	S _B	S _A	CP	\overline{CE}	STR	CAS	CL	PL	O ₁	$\overline{O_1}$	\overline{TC}	TC	
L	L	L	L	10	L	L	L	L	L	L	H	1	1	rate pulses at the outputs depend on the BCD input number at S _A to S _D
L	L	L	H	10	L	L	L	L	L	1	1	1	1	
L	L	H	L	10	L	L	L	L	L	2	2	1	1	
L	L	H	H	10	L	L	L	L	L	3	3	1	1	
L	H	L	L	10	L	L	L	L	L	4	4	1	1	
L	H	L	H	10	L	L	L	L	L	5	5	1	1	
L	H	H	L	10	L	L	L	L	L	6	6	1	1	
L	H	H	H	10	L	L	L	L	L	7	7	1	1	
H	L	L	L	10	L	L	L	L	L	8	8	1	1	
H	L	L	H	10	L	L	L	L	L	9	9	1	1	
H	L	H	L	10	L	L	L	L	L	8	8	1	1	
H	L	H	H	10	L	L	L	L	L	9	9	1	1	
H	H	L	L	10	L	L	L	L	L	8	8	1	1	
H	H	L	H	10	L	L	L	L	L	9	9	1	1	
H	H	H	L	10	L	L	L	L	L	8	8	1	1	
H	H	H	H	10	L	L	L	L	L	9	9	1	1	
X	X	X	X	X	H	L	L	L	L	(5)	(5)	H	(5)	CE = H; counter disabled
X	X	X	X	10	L	H	L	L	L	L	H	1	1	outputs O ₁ and O ₂ disabled
X	X	X	X	10	L	L	H	L	L	H	(4)	1	1	output O ₁ disabled
H	X	X	X	10	L	L	L	H	X	10	10	H	L	CL = H
L	X	X	X	X	L	L	L	H	X	L	H	H	L	counter reset
X	X	X	X	X	L	L	L	L	H	L	H	L	H	PL = H; preset to '9'

Notes

1. H = HIGH state (the more positive voltage)
2. L = LOW state (the less positive voltage)
3. X = state is immaterial
4. Same output as the first 16 lines of this function table (depends on the values of S_A to S_D).
5. Depends on internal state of the counter.

BCD rate multiplier

HEF4527B
MSI

AC CHARACTERISTICS

 $V_{SS} = 0\text{ V}$; $T_{amb} = 25\text{ }^{\circ}\text{C}$; $C_L = 50\text{ pF}$; input transition times $\leq 20\text{ ns}$.

PARAMETER	V_{DD} V	SYMBOL	MIN.	TYP.	MAX.	UNIT	TYPICAL EXTRAPOLATION FORMULA
Propagation delays CP \rightarrow O ₁ , \bar{O}_1 HIGH to LOW	5	t_{PHL}		130	260	ns	103 ns + (0,55 ns/pF) C_L
	10			50	100	ns	39 ns + (0,23 ns/pF) C_L
	15			35	70	ns	27 ns + (0,16 ns/pF) C_L
LOW to HIGH	5	t_{PLH}		130	260	ns	103 ns + (0,55 ns/pF) C_L
	10			50	100	ns	39 ns + (0,23 ns/pF) C_L
	15			35	70	ns	27 ns + (0,16 ns/pF) C_L
CP \rightarrow TC HIGH to LOW	5	t_{PHL}		175	350	ns	148 ns + (0,55 ns/pF) C_L
	10			65	130	ns	54 ns + (0,23 ns/pF) C_L
	15			45	90	ns	37 ns + (0,16 ns/pF) C_L
LOW to HIGH	5	t_{PLH}		160	320	ns	133 ns + (0,55 ns/pF) C_L
	10			65	130	ns	54 ns + (0,23 ns/pF) C_L
	15			45	90	ns	37 ns + (0,16 ns/pF) C_L
CP \rightarrow \bar{TC} HIGH to LOW	5	t_{PHL}		175	350	ns	148 ns + (0,55 ns/pF) C_L
	10			65	130	ns	54 ns + (0,23 ns/pF) C_L
	15			50	100	ns	42 ns + (0,16 ns/pF) C_L
LOW to HIGH	5	t_{PLH}		150	300	ns	123 ns + (0,55 ns/pF) C_L
	10			60	120	ns	49 ns + (0,23 ns/pF) C_L
	15			45	90	ns	37 ns + (0,16 ns/pF) C_L
CAS \rightarrow O ₁ HIGH to LOW	5	t_{PHL}		90	180	ns	63 ns + (0,55 ns/pF) C_L
	10			35	70	ns	24 ns + (0,23 ns/pF) C_L
	15			25	50	ns	17 ns + (0,16 ns/pF) C_L
LOW to HIGH	5	t_{PLH}		70	140	ns	43 ns + (0,55 ns/pF) C_L
	10			30	60	ns	19 ns + (0,23 ns/pF) C_L
	15			25	50	ns	17 ns + (0,16 ns/pF) C_L
STR \rightarrow O ₁ , \bar{O}_1 HIGH to LOW	5	t_{PHL}		100	200	ns	73 ns + (0,55 ns/pF) C_L
	10			40	80	ns	29 ns + (0,23 ns/pF) C_L
	15			30	60	ns	22 ns + (0,16 ns/pF) C_L
LOW to HIGH	5	t_{PLH}		85	170	ns	58 ns + (0,55 ns/pF) C_L
	10			35	70	ns	24 ns + (0,23 ns/pF) C_L
	15			25	50	ns	17 ns + (0,16 ns/pF) C_L
$\bar{CE} \rightarrow \bar{TC}$ HIGH to LOW	5	t_{PHL}		95	190	ns	68 ns + (0,55 ns/pF) C_L
	10			35	70	ns	24 ns + (0,23 ns/pF) C_L
	15			25	50	ns	17 ns + (0,16 ns/pF) C_L
LOW to HIGH	5	t_{PLH}		65	130	ns	38 ns + (0,55 ns/pF) C_L
	10			30	60	ns	19 ns + (0,23 ns/pF) C_L
	15			20	40	ns	12 ns + (0,16 ns/pF) C_L

BCD rate multiplier

HEF4527B
MSI

PARAMETER	V _{DD} V	SYMBOL	MIN.	TYP.	MAX.	UNIT	TYPICAL EXTRAPOLATION FORMULA	
CL → O ₁ HIGH to LOW	5	t _{PHL}		145	290	ns	118 ns + (0,55 ns/pF) C _L	
	10			55	110	ns	44 ns + (0,23 ns/pF) C _L	
	15			40	80	ns	32 ns + (0,16 ns/pF) C _L	
CL → \bar{O}_1 LOW to HIGH	5	t _{PLH}		145	290	ns	118 ns + (0,55 ns/pF) C _L	
	10			55	110	ns	44 ns + (0,23 ns/pF) C _L	
	15			40	80	ns	32 ns + (0,16 ns/pF) C _L	
Propagation delays PL → O ₁ , \bar{O}_1 HIGH to LOW	5	t _{PHL}		260	520	ns	233 ns + (0,55 ns/pF) C _L	
	10			100	200	ns	89 ns + (0,23 ns/pF) C _L	
	15			70	140	ns	62 ns + (0,16 ns/pF) C _L	
	LOW to HIGH	5	t _{PLH}		235	470	ns	208 ns + (0,55 ns/pF) C _L
		10			90	180	ns	79 ns + (0,23 ns/pF) C _L
		15			50	100	ns	42 ns + (0,16 ns/pF) C _L
Minimum clock pulse width HIGH	5	t _{WCPH}		45	90	ns		
	10			18	36	ns		
	15			12	24	ns		
Minimum CL pulse width; HIGH	5	t _{WCLH}		20	40	ns		
	10			12	24	ns		
	15			10	20	ns		
Minimum PL pulse width; HIGH	5	t _{WPLH}		50	100	ns		
	10			20	40	ns		
	15			15	30	ns		
Set-up times $\bar{CE} \rightarrow CP$	5	t _{su}	30	15		ns		
	10		20	10		ns		
	15		12	5		ns		
Recovery times CL → CP	5	t _{RCL}	20	10		ns		
	10		16	8		ns		
	15		10	5		ns		
	PL → CP	5	t _{RPL}	80	40		ns	
		10		36	18		ns	
		15		25	10		ns	
Maximum clock pulse frequency	5	f _{max}	4,5	9		MHz		
	10		11	22		MHz		
	15		16	32		MHz		

BCD rate multiplier

HEF4527B
MSI**AC CHARACTERISTICS** $V_{SS} = 0 \text{ V}$; $T_{amb} = 25 \text{ }^\circ\text{C}$; input transition times $\leq 20 \text{ ns}$

	V_{DD} V	TYPICAL FORMULA FOR P (μW)	
Dynamic power dissipation per package (P)	5 10 15	$1\ 050 f_i + \sum (f_o C_L) \times V_{DD}^2$ $4\ 500 f_i + \sum (f_o C_L) \times V_{DD}^2$ $10\ 500 f_i + \sum (f_o C_L) \times V_{DD}^2$	where f_i = input freq. (MHz) f_o = output freq. (MHz) C_L = load capacitance (pF) $\sum (f_o C_L)$ = sum of outputs V_{DD} = supply voltage (V)

BCD rate multiplier

HEF4527B
MSI

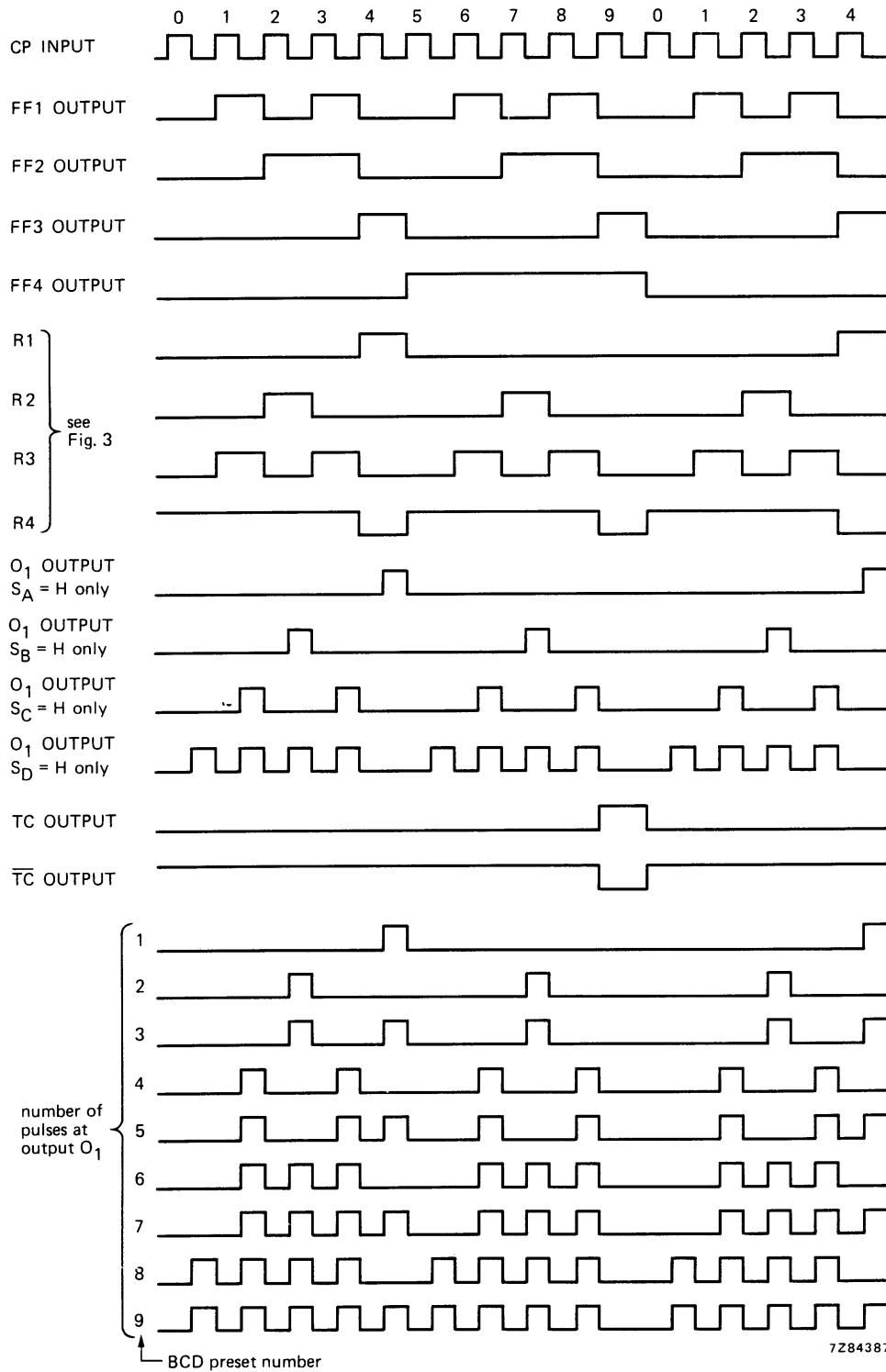


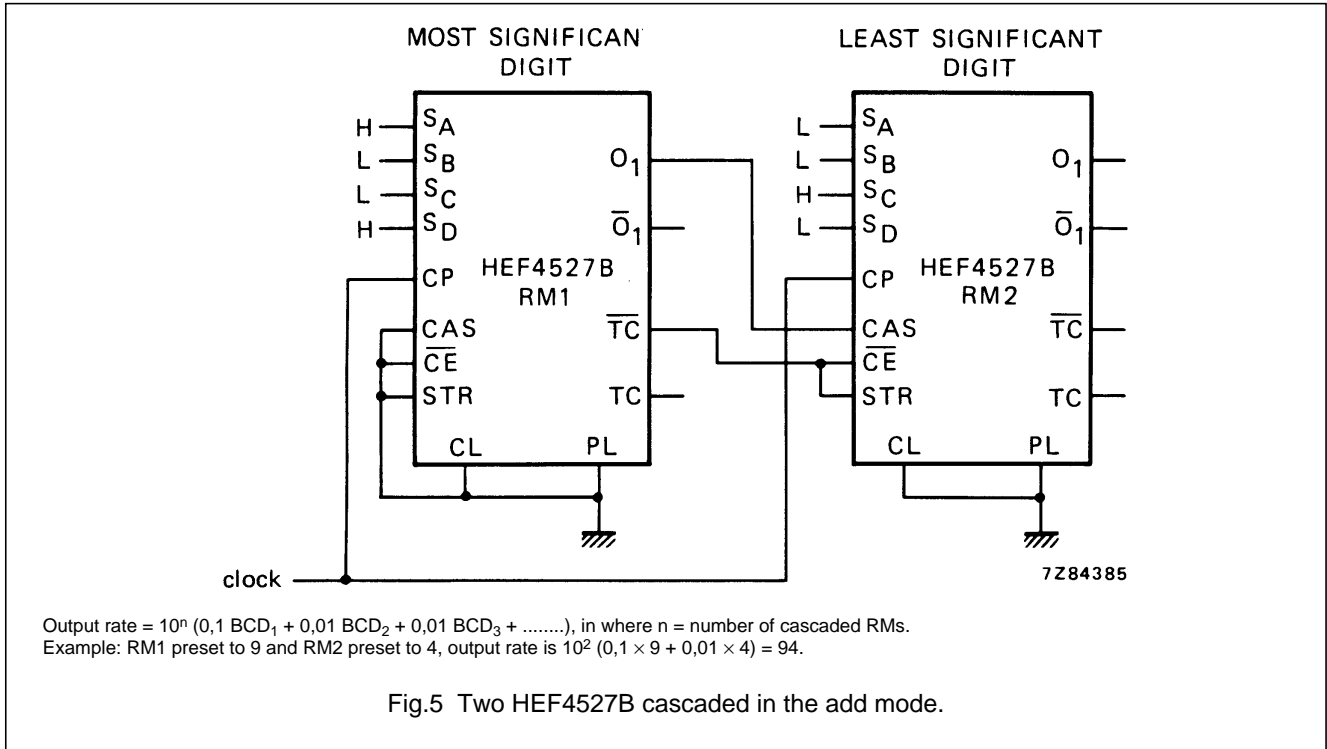
Fig.4 Timing diagram.

BCD rate multiplier

HEF4527B
MSI

APPLICATION INFORMATION

Add mode



Multiply mode

