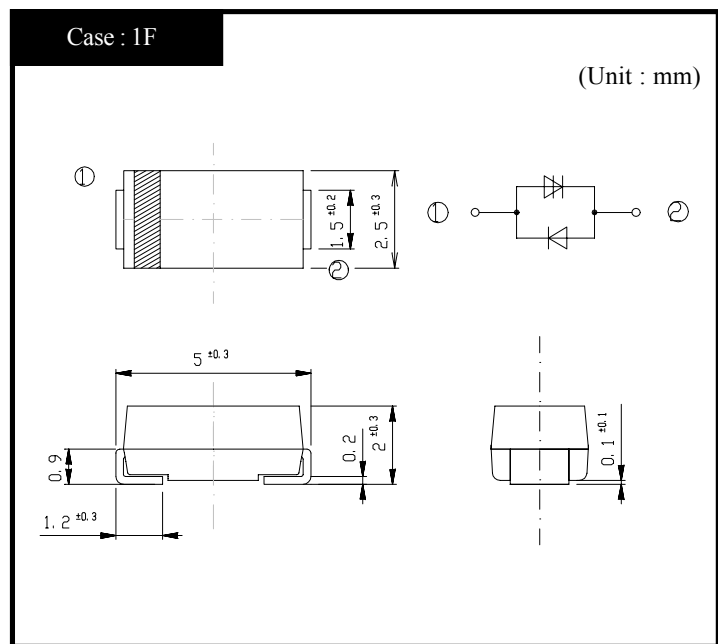


ST03-58F1

OUTLINE DIMENSIONS



RATINGS

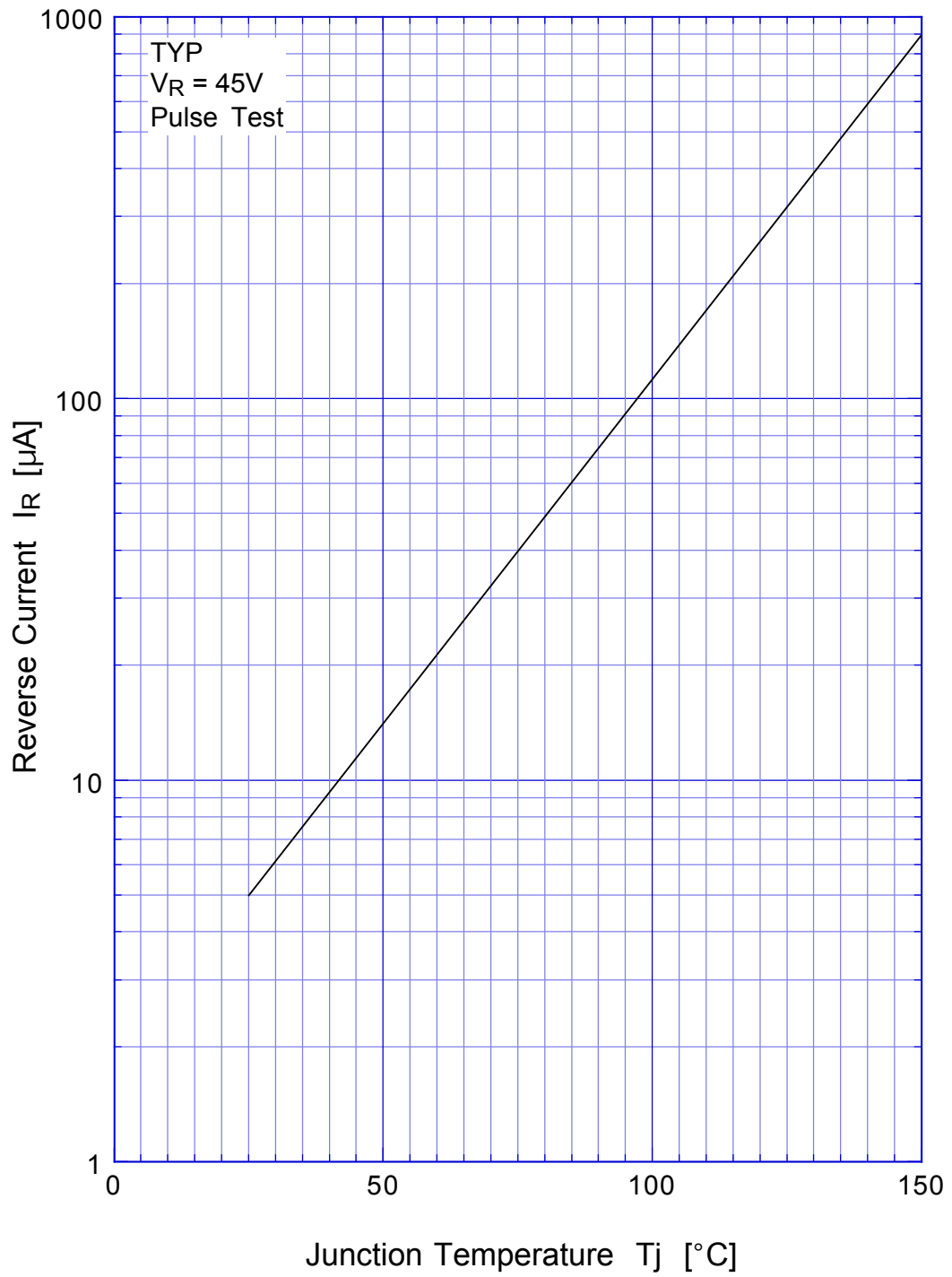
● Absolute Maximum Ratings (TI=25°C)

Item	Symbol	Conditions	Ratings	Unit
Storage Temperature	T _{stg}		-55~150	°C
Operating Junction Temperature	T _j		150	°C
Maximum Surge Reverse Power	P _{RSM}	10×1000 μs, Non-repetitive	300	W
Maximum Surge Reverse Current	I _{RSM}	10×1000 μs, Non-repetitive	4	A
Maximum Reverse Voltage	V _{RM}		45	V

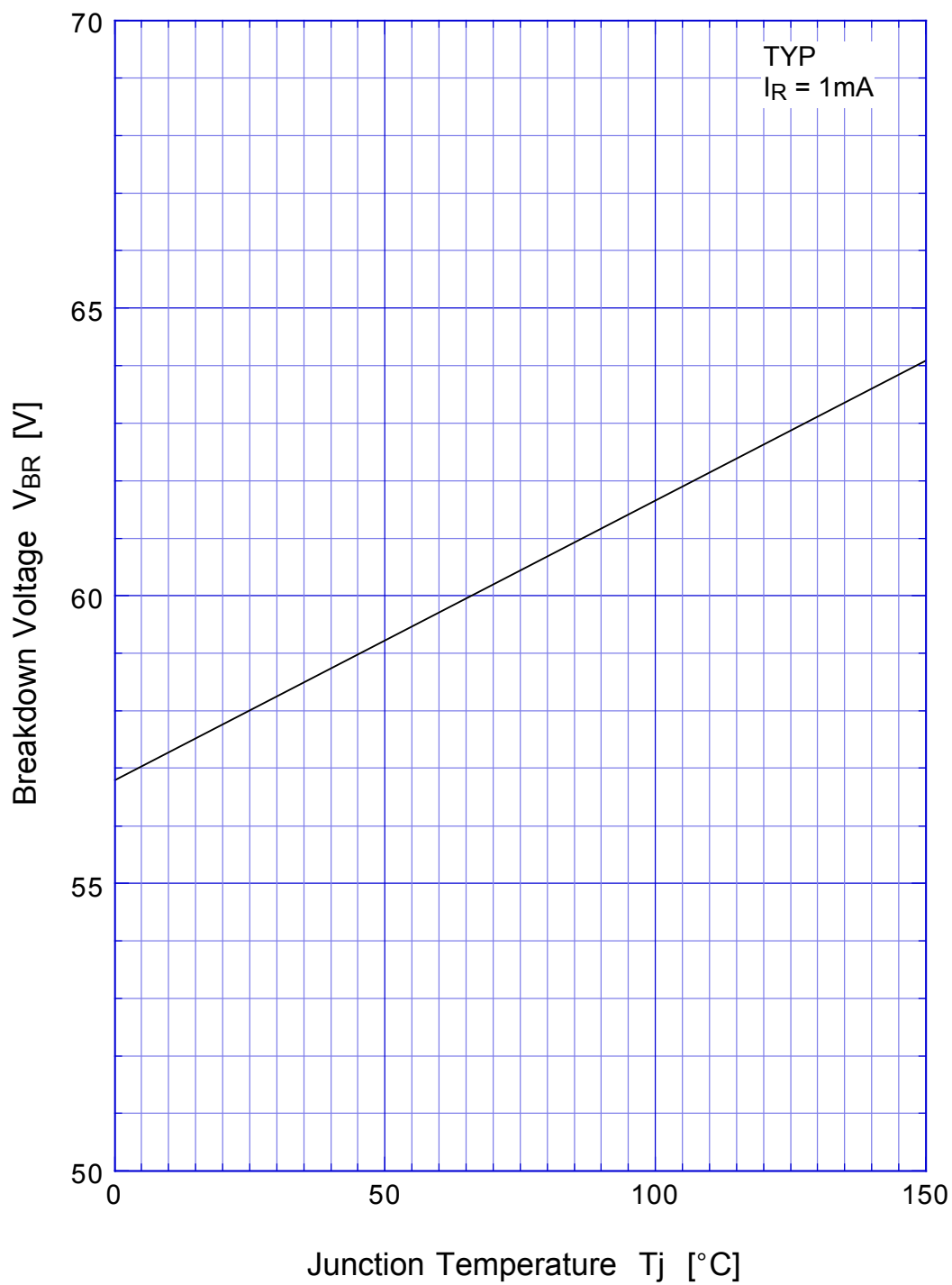
● Electrical Characteristics (TI=25°C)

Item	Symbol	Conditions	Ratings	Unit
Movement Start Voltage	V _{BR}	I _R = 1mA	52~64	V
Restriction Voltage	V _{CL}	I _{PP} = 4A, I _{PP} Def	MAX 80	V
Leakage Current	I _R	V _R = 45V	MAX 5	μA

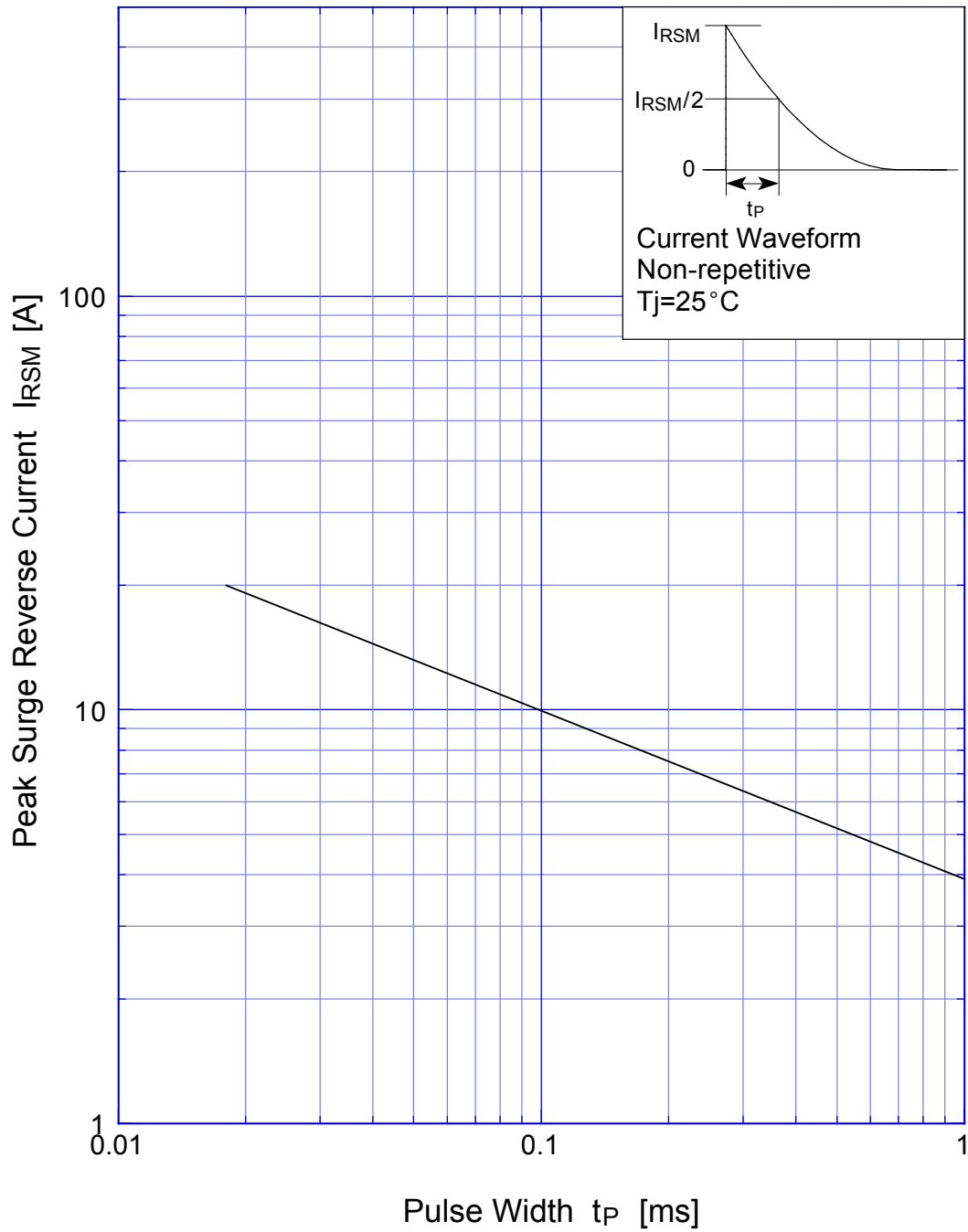
ST03-58F1 Reverse Current



ST03-58F1 Breakdown Voltage



ST03-58F1 Peak Surge Reverse Current



ST03-58F1

Clamping Voltage

