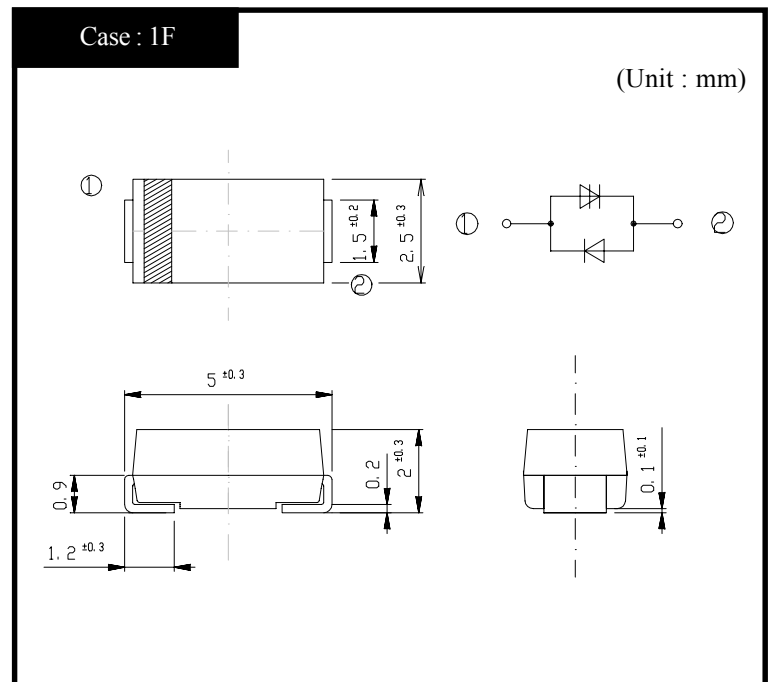


ST04-16F1

OUTLINE DIMENSIONS



RATINGS

● Absolute Maximum Ratings

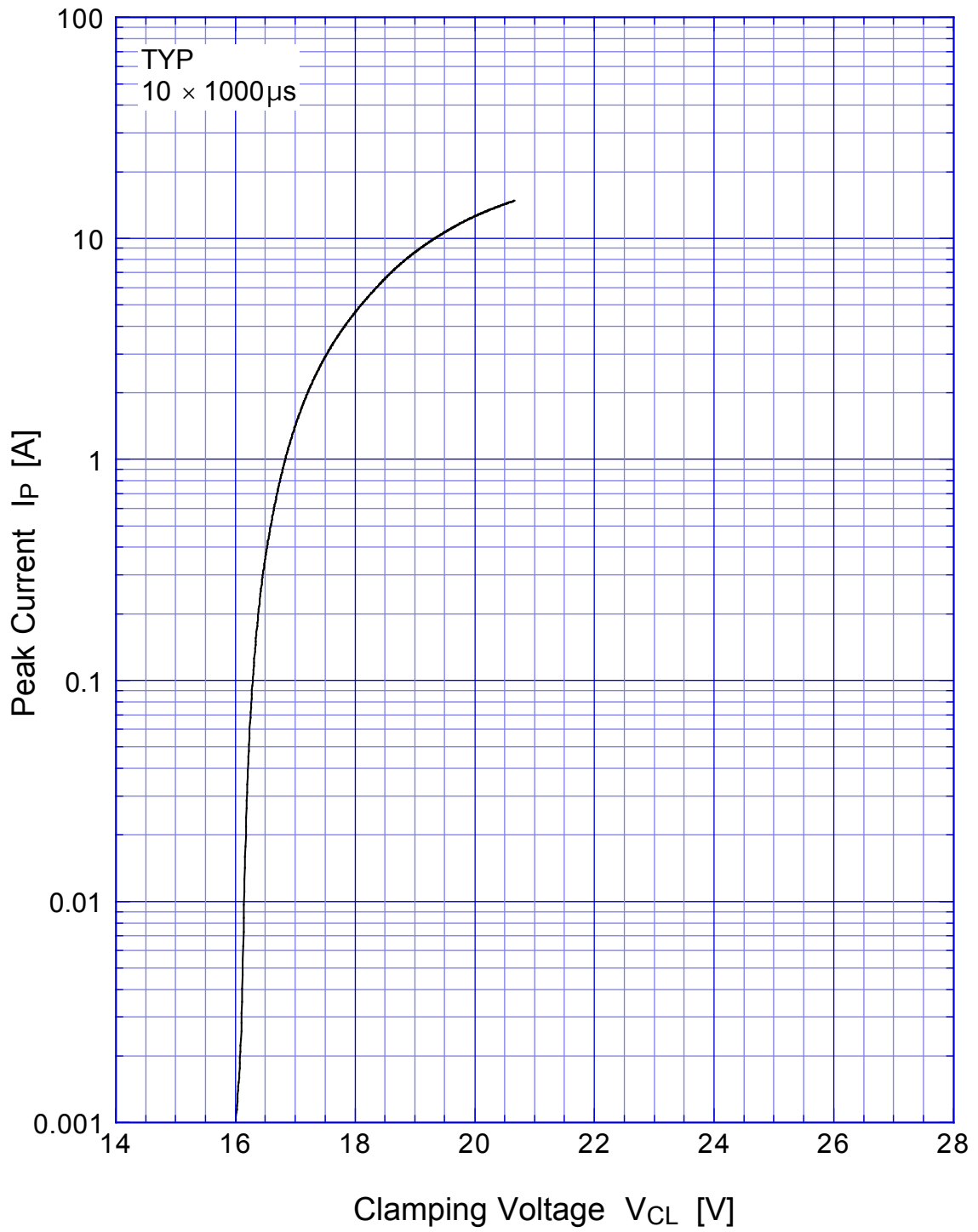
Item	Symbol	Conditions	Ratings	Unit
Storage Temperature	T_{stg}		-55~175	°C
Junction Temperature	T_j		150	°C
Peak Surge Reverse Current	I_{RSM}	10/1000 μ s, Non-repetitive	15	A
		10/200 μ s, Non-repetitive	28	
Maximum Reverse Voltage	V_{RM}		13.6	V

● Electrical Characteristics (Tl=25°C)

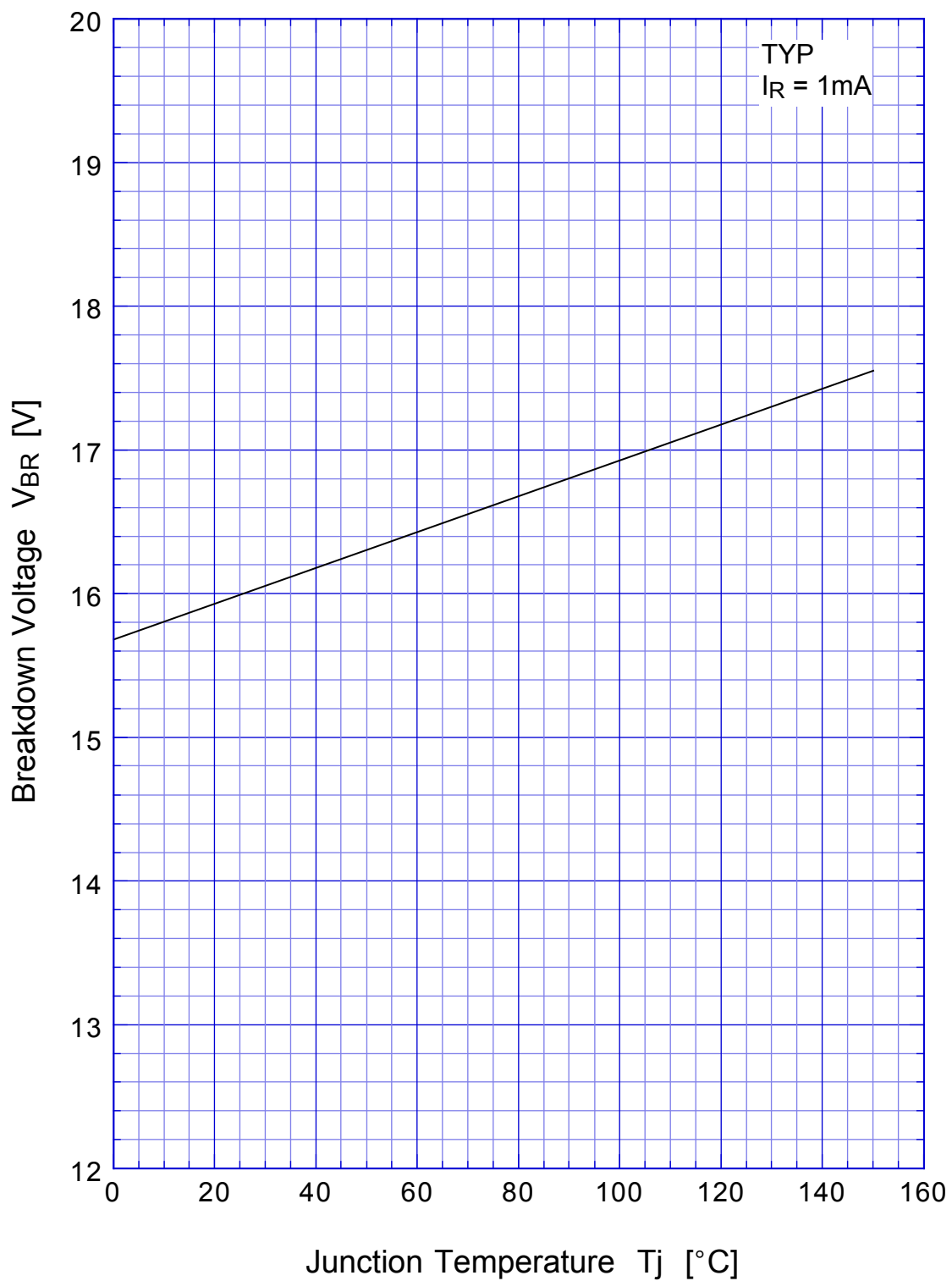
Item	Symbol	Conditions	Ratings	Unit
Breakdown Voltage	V_{BR}	$I_R = 1mA$	14.4~17.6	V
Clamping Voltage	V_{CL}	$I_{PP} = 15A$	MAX 23	V
Reverse Current	I_R	$V_R = 13.6V$	MAX 5	μ A

ST04-16F1

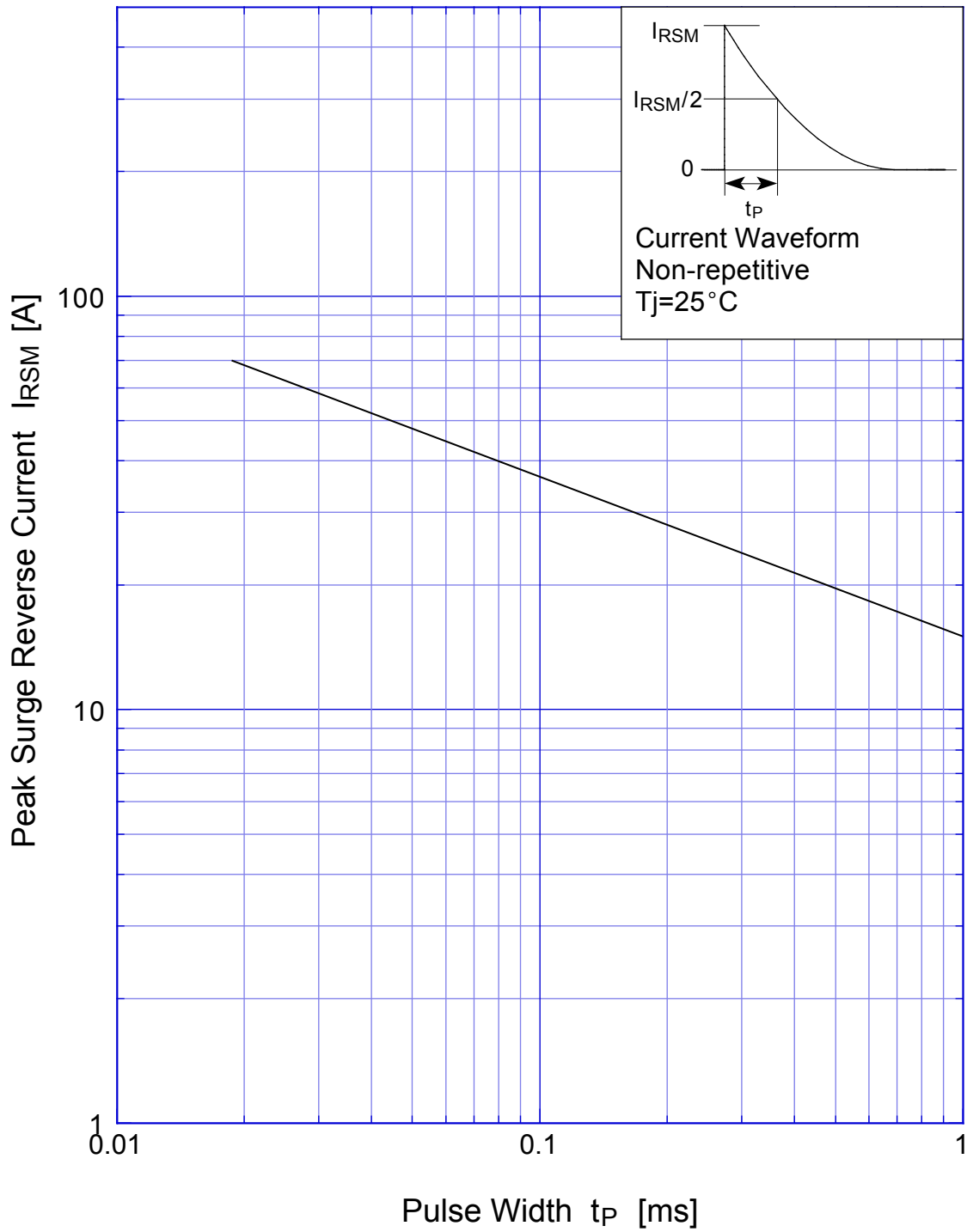
Clamping Voltage



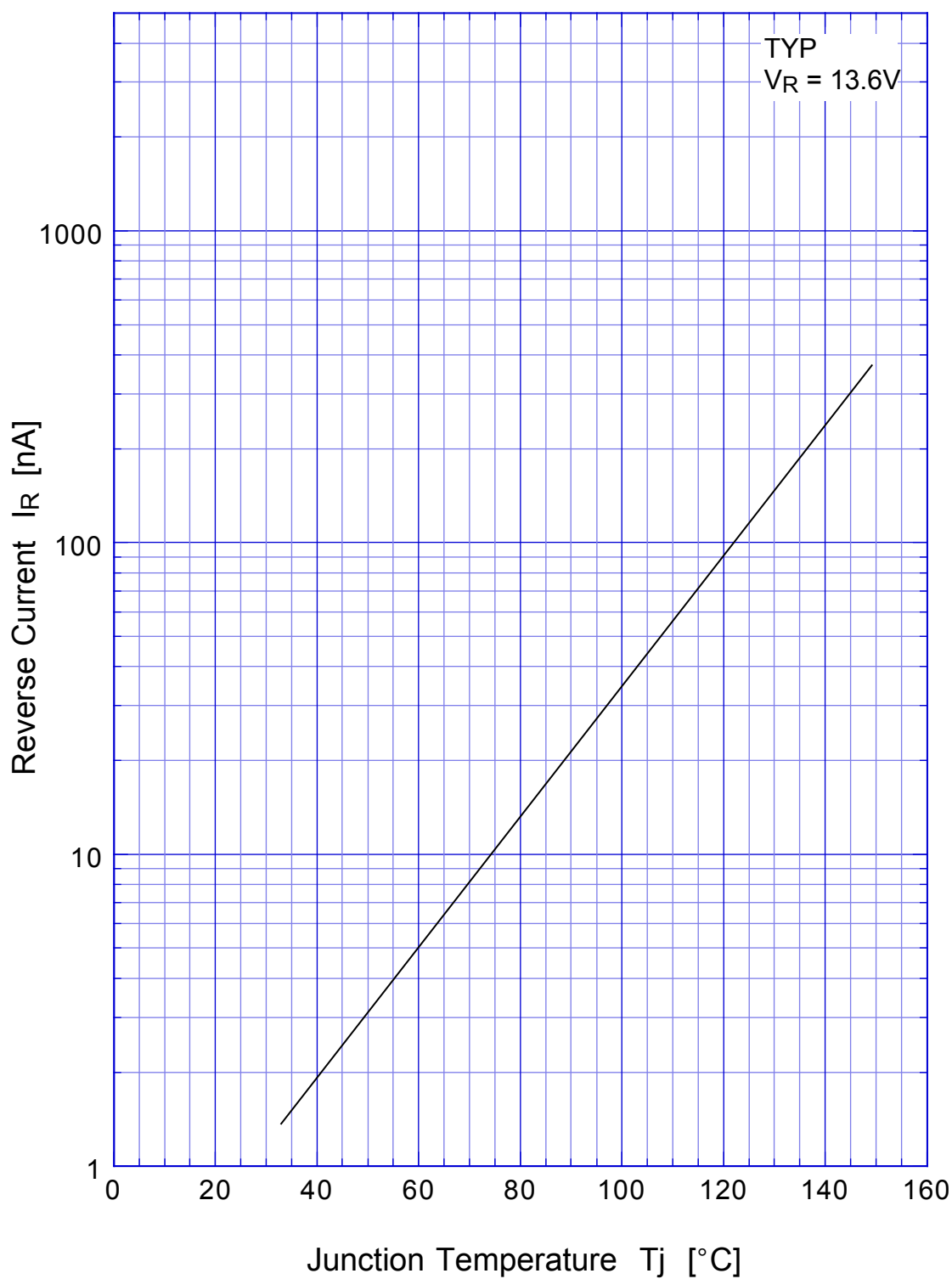
ST04-16F1 Breakdown Voltage



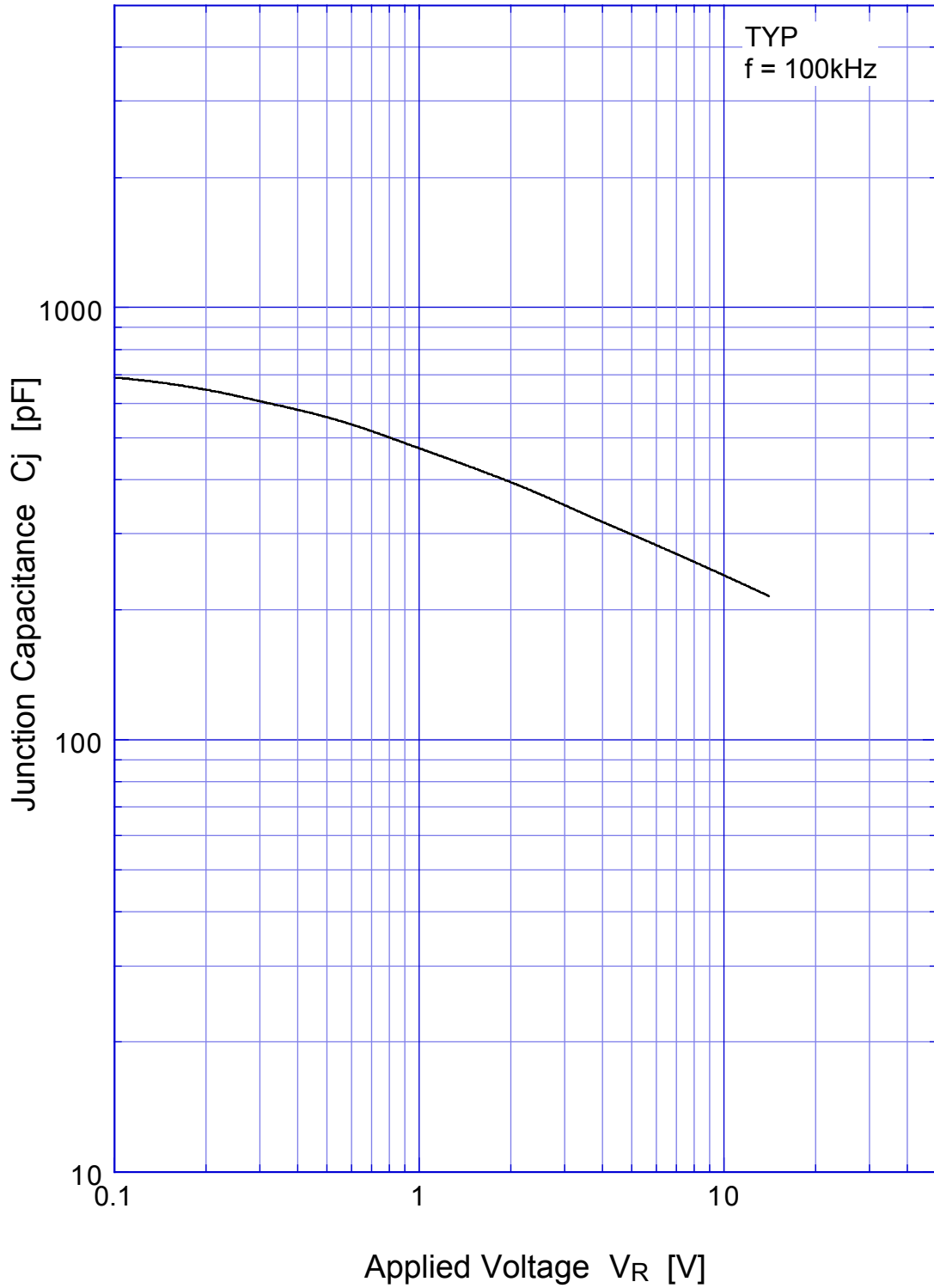
ST04-16F1 Peak Surge Reverse Current



ST04-16F1 Reverse Current



ST04-16F1 Junction Capacitance



ST04-16F1 Junction Capacitance

