

QUAD 10/100Base Supporting AutoMdx function Transformer SMT type

Feature

- ◆ Designed for use with Broadcom BCM5226/ BCM5318 and Level one LXT9784/ LXT9785HC and Marvell 3081/88E6050.
- ◆ Designed to meet IR 235°C peak requirement.
- ◆ Primary inductance 350μH min. with 8mA DC bias.
- ◆ Pick and place compatible.

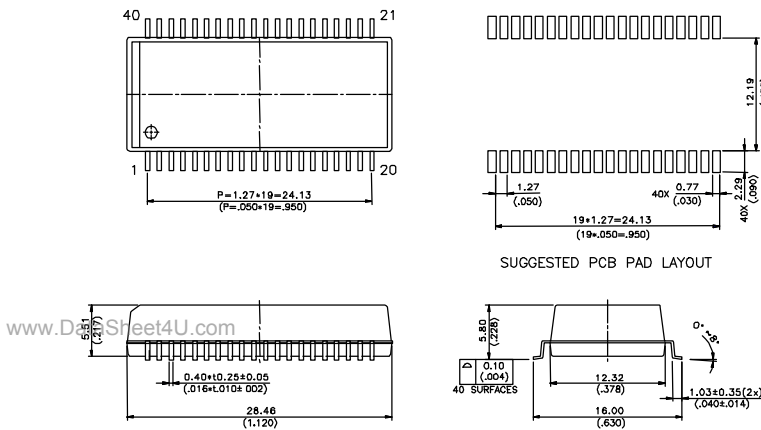
Specifications @ 25 °C

Parameter	Condition	Min.	Typ.	Max.	Unit
Inductance	Pin(40-39)&Pin(37-36)	350	*note1		μH
Turn Ratio	Pin(1-2) : (40-39)		1 : 1		
	Pin(4-5) : (37-36)		1 : 1		
Insertion loss	@1-100MHz			1.0	dB
Return loss	@1-30MHz	16			dB
	@30-60MHz	*note2			dB
	@60-80MHz	10			dB
Cross talk	@1-60MHz	40			dB
	@60-100MHz	38			dB
CMRR	@1-60MHz	45/40			dB
	@60-100MHz	40/35			dB
Voltage Isolation	1 minute	1500			Vrms

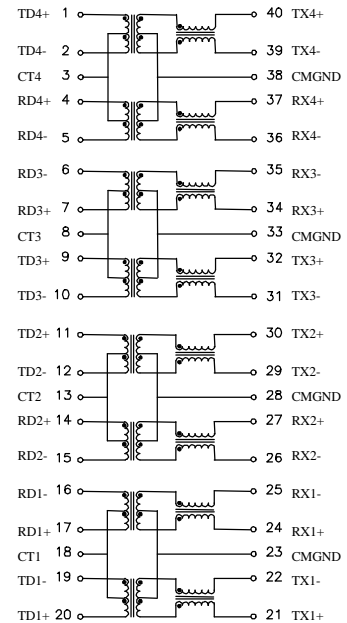
Note 1: Measure at 8mA_{dc} over operating temperature 0~70°C

Note 2: Greater than 16-20 log(f/30 MHz)dB

Dimension

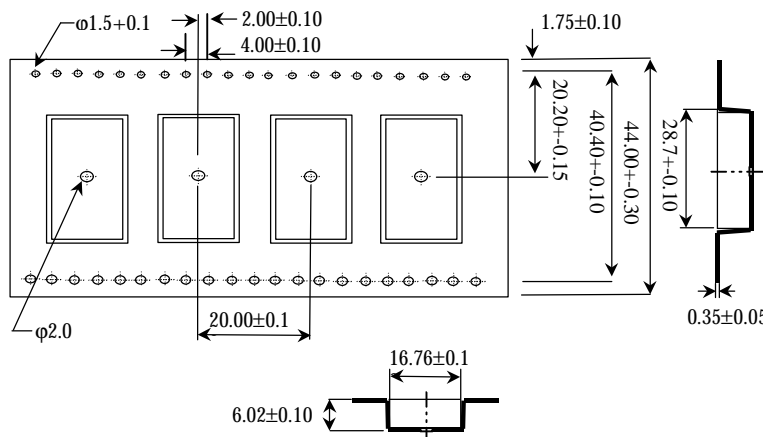


Schematic



Unless otherwise specified, all tolerances are mm (inch) ± 0.25 (0.01)

Tape & Reel Applications



Weight 4.2 grams typ
 Tape & Reel ... 400 PCS/reel
 Tube 17 PCS/tube