

CE (Low Voltage Directive)

Multigrades : 2 year warranty

Model name

PT 500-48

Name of series Output power Output voltage

Features

- CE marking (Low Voltage Directive)
- DC-DC transformer module
Converts DC360V ~ DC48V or DC66V by connecting with PFHC module "PF-A series".
Application:
Battery backup system
N + 1 redundant system
- Wide baseplate temperature: -20 ~ +85°C
Conduction cooling
- 2 year warranty

Specifications

1. Input voltage range	360VDC ± 2% (Connected to output of PFHC module "PF-A series")
2. Nominal output voltage	PT500-48: DC48V, PT500-66: DC66V
3. Output voltage range	Fixed/PT500-48: DC43 ~ 53V, PT500-66: DC61 ~ 71V
4. Max. output current/power	PT500-48: 11A 500W, PT500-66: 8A 500W
5. Efficiency (typ)	93% at full load
6. Load regulation	10V no load to full load
7. Parallel operation	N+1 redundant operation. Output current balancing
8. Cooling	Conduction cooling (Heatsink & airflow has to be chosen according to instruction manual)
9. Operating ambient temperature	Baseplate temperature: -20 ~ +85°C (output derating is different according to condition) Ambient temperature: above -20°C
10. Withstand voltage	Input to output: 3.0kVAC, Input to baseplate: 2.5kVAC for 1 min.
11. Safety standard	Approved by UL1950, CSA950(C-UL), and EN60950(BSI)
12. Functions	Over voltage protection, Over current protection, Thermal protection, ON/OFF control (CNT terminal), Inverter good signal (IOG terminal)

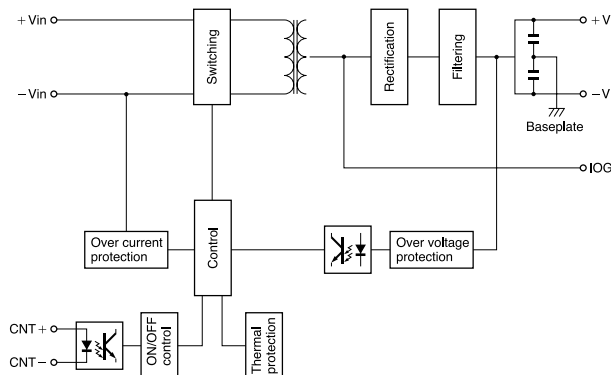
Product lineup

Model	Nominal output voltage	Output voltage range (no load - full load)	Nominal input voltage range	Max. output current	Max. output power	UL	CSA	EN
PT500-48	48VDC	43 ~ 53VDC	360VDC ± 2%	11A	500W	○	○	○
PT500-66	66VDC	61 ~ 71VDC	Use PFHC module "PF500A-360 or PF1000A-360" together.	8A	500W	○	○	○

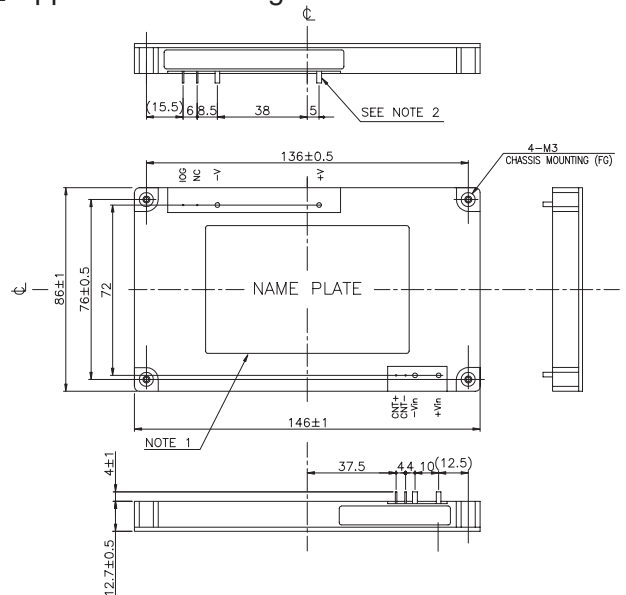
Note:
The above specified value is on condition with external components attached. Filtering capacitor and external fuse at input line are required as external components.

○ : Safety standard approved

Block diagram



Appearance drawings



Note 1: Model name, Input voltage range, Nominal output voltage, Maximum output current and country of manufacture are shown here.

Note 2: Input & output terminal
4-2
2-0.6

Note:
● Request customer specification for further details of specifications, outline, characteristics, etc.
● Read the instruction manual before usage.
● Contact us about delivery before ordering.