

MITSUBISHI DIODE MODULES  
**RM30TC-24,-2H**  
MEDIUM POWER GENERAL USE  
INSULATED TYPE

RM30TC-24,-2H



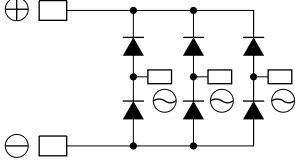
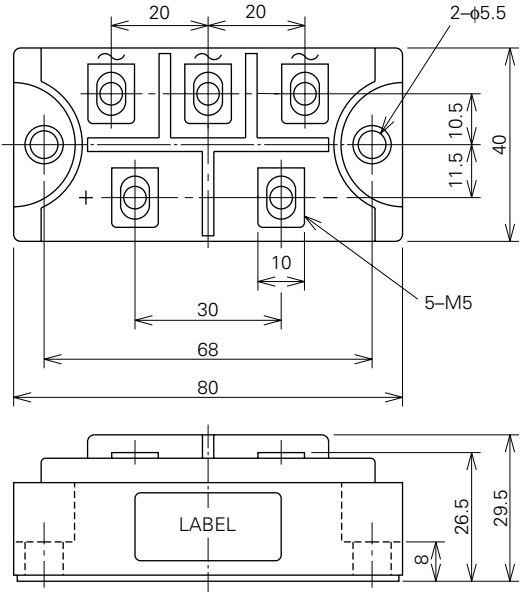
- **I<sub>o</sub>** DC output current ..... **60A**
  - **V<sub>RRM</sub>** Repetitive peak reverse voltage  
..... **1200/1600V**
  - **3 phase bridge**
  - **Insulated Type**
  - **UL Recognized**
- Yellow Card No. E80276 (N)  
File No. E80271

**APPLICATION**

AC motor controllers, DC motor controllers, Battery DC power supplies,  
DC power supplies for control panels, and other general DC power equipment

**OUTLINE DRAWING & CIRCUIT DIAGRAM**

Dimensions in mm



**RM30TC-24,-2H**

MEDIUM POWER GENERAL USE  
INSULATED TYPE

**ABSOLUTE MAXIMUM RATINGS**

| Symbol | Parameter                           | Voltage class |      | Unit |
|--------|-------------------------------------|---------------|------|------|
|        |                                     | 24            | 2H   |      |
| VRRM   | Repetitive peak reverse voltage     | 1200          | 1600 | V    |
| VRSM   | Non-repetitive peak reverse voltage | 1350          | 1700 | V    |
| Ea     | Recommended AC input voltage        | 370           | 440  | V    |

| Symbol                      | Parameter                              | Conditions   | Ratings               | Unit             |
|-----------------------------|--|--|-----------------------|------------------|
| Io                          | DC output current                      | Three-phase full wave rectifying circuit, Tc=103°C | 60                    | A                |
| IFSM                        | Surge (non-repetitive) forward current | One half cycle at 60Hz, peak value                 | 600                   | A                |
| I <sup>2</sup> <sub>t</sub> | I <sup>2</sup> <sub>t</sub> for fusing | Value for one cycle of surge current               | 1.5 × 10 <sup>3</sup> | A <sup>2</sup> s |
| f                           | Maximum operating frequency            |  | 1000                  | Hz               |
| T <sub>j</sub>              | Junction temperature                   |  | -40~+150              | °C               |
| T <sub>stg</sub>            | Storage temperature                    |  | -40~+125              | °C               |
| V <sub>iso</sub>            | Isolation voltage                      | Charged part to case                               | 2500                  | V                |
| —                           | Mounting torque                        | Main terminal screw M5                             | 1.47~1.96             | N·m              |
|                             |  |  | 15~20                 | kg·cm            |
| —                           | Mounting torque                        | Mounting screw M5                                  | 1.47~1.96             | N·m              |
|                             |  |  | 15~20                 | kg·cm            |
| —                           | Weight                                 | Typical value                                      | 220                   | g                |

**ELECTRICAL CHARACTERISTICS**

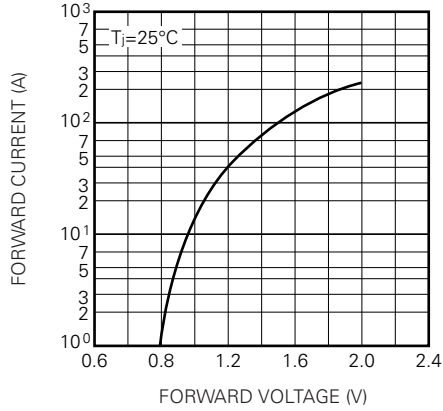
| Symbol                | Parameter                  | Test conditions   | Limits |      |      | Unit |
|-----------------------|----------------------------|---|--------|------|------|------|
|                       |                            |   | Min.   | Typ. | Max. |      |
| IRRM                  | Repetitive reverse current | T <sub>j</sub> =150°C, VRRM applied                             | —      | —    | 10   | mA   |
| VFM                   | Forward voltage            | T <sub>j</sub> =25°C, IFM=60A, instantaneous meas.              | —      | —    | 1.3  | V    |
| R <sub>th (j-c)</sub> | Thermal resistance         | Junction to case  | —      | —    | 0.3  | °C/W |
| R <sub>th (c-f)</sub> | Contact thermal resistance | Case to fin, conductive grease applid                           | —      | —    | 0.06 | °C/W |
| —                     | Insulation resistance      | Measured with a 500V megohmmeter between main terminal and case | 10     | —    | —    | MΩ   |

**RM30TC-24,-2H**

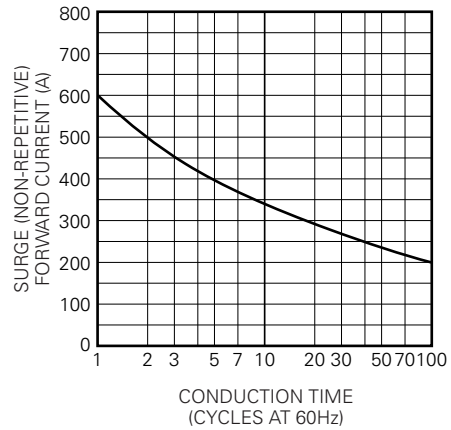
MEDIUM POWER GENERAL USE  
INSULATED TYPE

**PERFORMANCE CURVES**

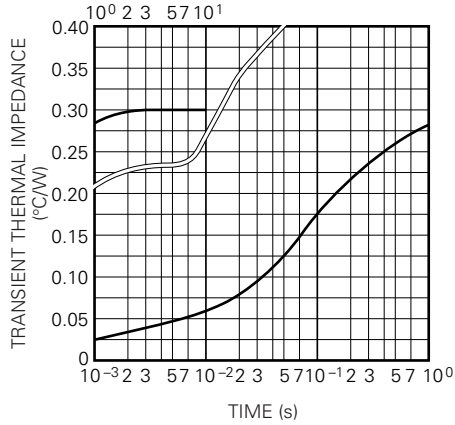
**MAXIMUM FORWARD CHARACTERISTIC**



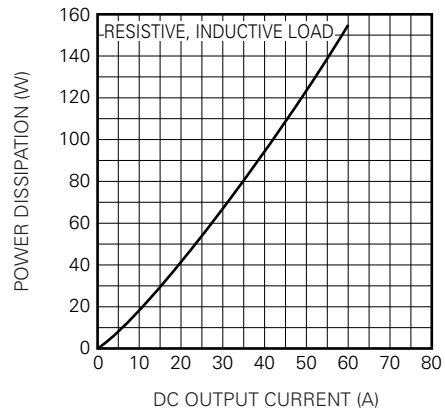
**ALLOWABLE SURGE (NON-REPETITIVE) FORWARD CURRENT**



**MAXIMUM TRANSIENT THERMAL IMPEDANCE (JUNCTION TO CASE)**



**MAXIMUM POWER DISSIPATION**



**ALLOWABLE CASE TEMPERATURE VS. DC OUTPUT CURRENT**

