

## DIODE(THREE PHASES BRIDGE TYPE)

# DF20BA40/80

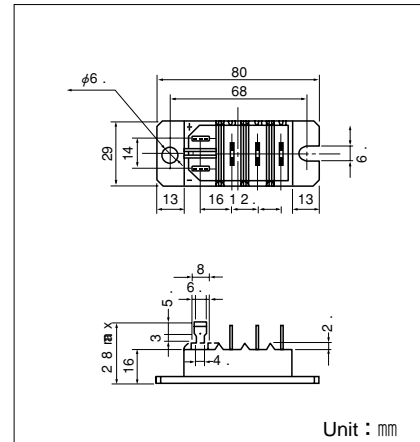
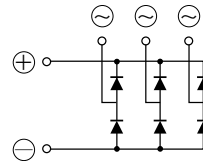
UL;E76102(M)

Power Diode Module **DF20BA** is designed for three phase full wave rectification, which has six diodes connected in a three phase bridge configuration. The mounting base of the module is electrically isolated from semiconductor elements for simple heatsink construction output DC current is 20Amp ( $T_c=123^{\circ}\text{C}$ ) Repetitive peak reverse voltage is up to 800V.

- $T_{j\text{Max}}=150^{\circ}\text{C}$
- Isolated Mounting Base
- High reliability by unique glass passivation
- Easy Assemble by the #250 terminal Tab

### (Applications)

AC. DC Moter Drive/AVR/Switching  
—for three phase rectification



### Maximum Ratings

( $T_j = 25^{\circ}\text{C}$  Cu n l )

Symbol	Item	Ratings		Unit
		DF20BA40	DF20BA80	
$V_{RRM}$	Repetitive Peak Reverse Voltage	400	800	V
$V_{RSM}$	Non-Repetitive Peak Reverse Voltage	480	960	V

Symbol	Item	Conditions	Ratings	Unit	
$I_D$	Output current (D.C.)	Three phase. full wave. $T_c=123^{\circ}\text{C}$	20	A	
$I_{FSM}$	Surge Forward Current	1 cycle, 50/60Hz, peak value, non-repetitive	320/350	A	
$T_j$	Junction Temperature		$-40$ t $+150$	$^{\circ}\text{C}$	
$T_{stg}$	Storage Temperature		$-40$ t $+125$	$^{\circ}\text{C}$	
$V_{ISO}$	Isolation Breakdown Voltage (R.M.S.)	Main Terminal to case 1minute	2500	V	
	Mounting Torque	Mounting (M6)	Recommended Value 2.5-3.9 (25-40)	4.7 (48)	N·m (kgf·cm)
		Terminal	Tab Terminal # 250	—	
	Mass	Typical Value	90	g	

### Electrical Characteristics

Symbol	Item	Conditions	Ratings	Unit
$I_{RRM}$	Repetitive Peak Reverse Current, max.	$T_j=150^{\circ}\text{C}$ at $V_{RRM}$	1.5	mA
$V_{FM}$	Forward Voltage Drop, max.	$I_{FM}=20\text{A}$ , $T_j=25^{\circ}\text{C}$ Inst. measurement	1.1	V
$R_{th(j-c)}$	Thermal Impedance, max.	Junction to case	0.6	$^{\circ}\text{C}/\text{W}$

