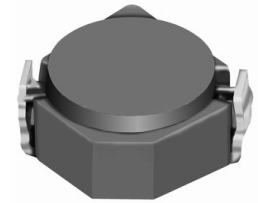
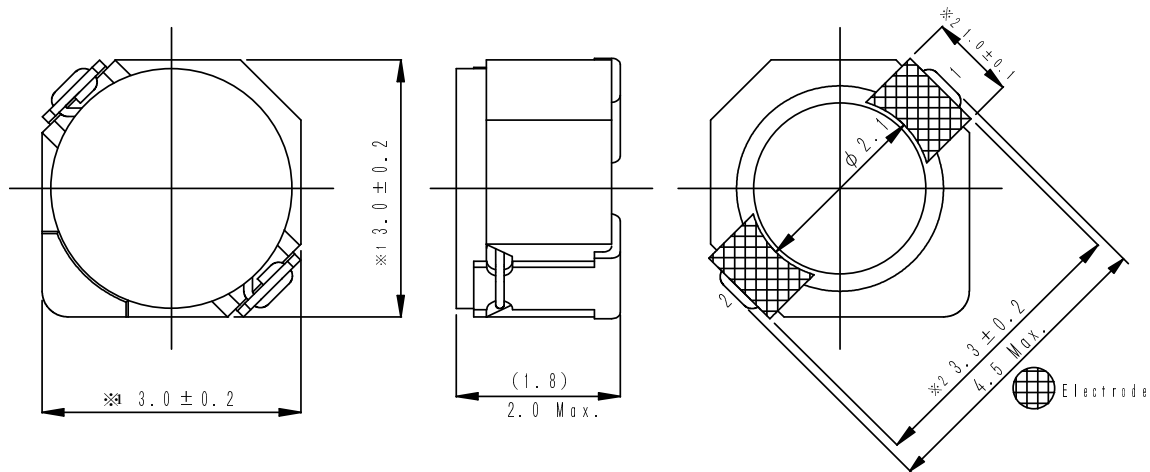
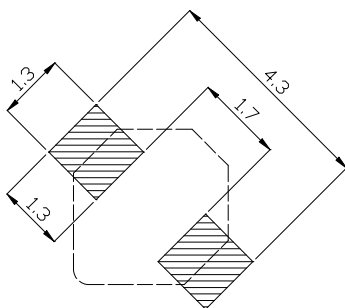
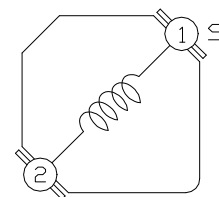


Type: CDRH2D18/HP
◆ Product Description

- 3.2×3.2mm Max.(L×W) , 2.0mm Max. Height.
- Inductance range: 0.2~15 μ H.
- Rated current range: 0.64~4.7A.
- In addition to the standards versions shown here, custom inductors are also available to meet your exact requirements.


◆ Feature

- Magnetically shielded construction.
- Storage temperature range: -40°C~+105°C.
- Operating temperature range: -40°C~+105°C (Including coil's self temperature rise).
- Ideally used in Mobilephone, PDA, MP3, DSC/DVC, Portable DVD, etc as DC-DC converter inductors.
- RoHS Compliance and Halogen free.

◆ Dimensions (mm)

◆ Land Pattern (mm)

◆ Schematics (Bottom)


"S" is winding start

Please refer to the sales offices on our website for a representative near you

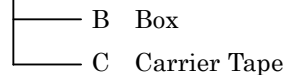
www.sumida.com

Type: CDRH2D18/HP
◆ Specification

Part Name ※	Stamp	Inductance (μ H) ※1	D.C.R. (m Ω) Max.(Typ.) (at 20°C)	Saturation Current (A) ※2		Temperature Rise Current (A) ※3
				at 20°C	at 100°C	
CDRH2D18/HPNP-R20N□	N	0.20 \pm 35%	22(17)	5.35	3.55	4.70
CDRH2D18/HPNP-R36N□	P	0.36 \pm 35%	29(22)	4.62	3.00	4.10
CDRH2D18/HPNP-R56N□	Q	0.56 \pm 35%	33(25)	3.75	2.76	3.60
CDRH2D18/HPNP-R82N□	R	0.82 \pm 35%	39(30)	2.91	2.20	3.30
CDRH2D18/HPNP-1R1N□	S	1.10 \pm 35%	43(33)	2.50	1.90	2.90
CDRH2D18/HPNP-1R7N□	A	1.70 \pm 30%	44(35)	1.85	1.36	2.20
CDRH2D18/HPNP-2R2N□	C	2.20 \pm 30%	60(48)	1.60	1.15	1.90
CDRH2D18/HPNP-3R3N□	E	3.30 \pm 30%	86(69)	1.45	1.10	1.55
CDRH2D18/HPNP-4R7N□	G	4.70 \pm 30%	140(110)	1.20	0.90	1.20
CDRH2D18/HPNP-6R3N□	I	6.30 \pm 30%	160(128)	1.05	0.78	1.15
CDRH2D18/HPNP-100N□	K	10.0 \pm 30%	245(195)	0.85	0.65	0.90
CDRH2D18/HPNP-150N□	M	15.0 \pm 30%	345(275)	0.70	0.53	0.64

※ Description of part name

CDRH2D18/HPNP-R20N□



※1. Measuring frequency: 0.20 μ H \sim 1.10 μ H at 7.96MHz.
 1.70 μ H \sim 15.0 μ H at 100kHz.

※2. Saturation Current: The DC current at which the inductance decreases to 65% of its nominal value.

※3. Temperature rise current: The DC current at which the temperature rise is $\Delta t=40^{\circ}\text{C}$. ($T_a=20^{\circ}\text{C}$)