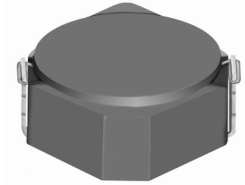
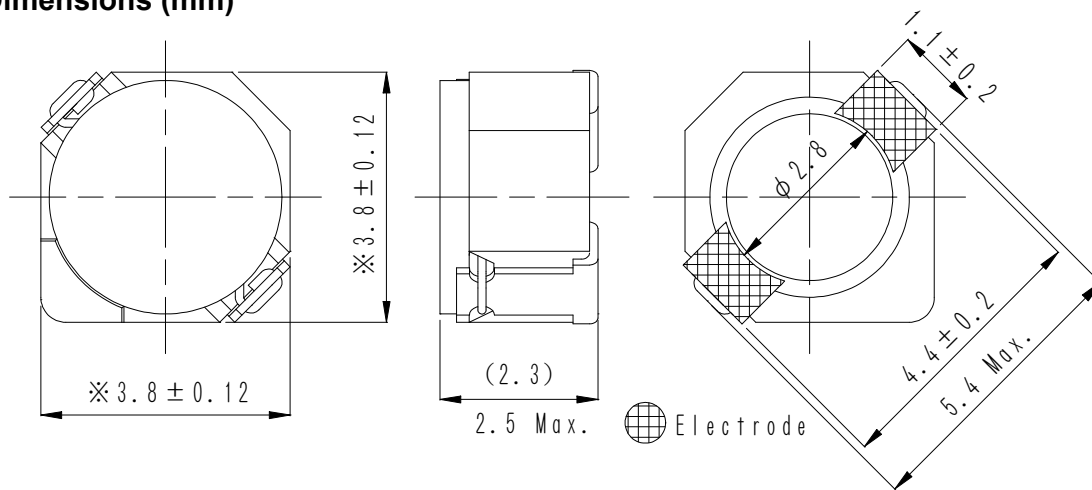
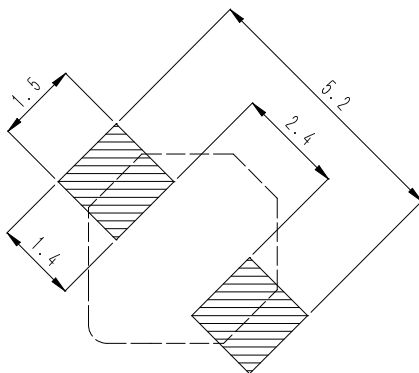


**Type: CDRH3D23**
**◆ Product Description**

- 3.92×3.92mm Max.(L×W), 2.5mm Max. Height.
- Inductance range: 0.47~47.0 μ H.
- Rated current range: 0.35~3.1A.
- Custom design is available.


**◆ Feature**

- Magnetically shielded construction.
- Storage temperature range: -40°C~+105°C.
- Operating temperature range: -40°C~+105°C(including coil's self temperature rise).
- Ideally used in Mobilephone,PDA,MP3,DSC/DVC etc as DC-DC converter inductors.
- Product weight: 0.05g (Ref.).
- RoHS compliance and Halogen Free.

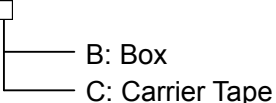
**◆ Dimensions (mm)**

**◆ Land Pattern (mm)**


**Type: CDRH3D23**
**◆ Specification**

Part Name ※	Stamp	Inductance ( $\mu$ H) 100kHz/1V	D.C.R.(m $\Omega$ ) Max.(Typ.) (at 20°C)	Saturation Current (A) ※1		Temperature Rise Current (A) ※2
				at 20°C	at 105°C	
CDRH3D23NP-R47N□	A	0.47±30%	23.5(18.8)	3.10	2.40	3.30
CDRH3D23NP-1R0P□	A	1.0±25%	25.0(20)	2.80	2.00	3.10
CDRH3D23NP-1R5P□	B	1.5±25%	29.0(24)	2.20	1.65	2.90
CDRH3D23NP-2R2P□	C	2.2±25%	38.3(31)	1.80	1.30	2.50
CDRH3D23NP-3R3P□	D	3.3±25%	56.3(45)	1.45	1.10	2.20
CDRH3D23NP-4R7P□	E	4.7±25%	68.8(55)	1.30	0.95	1.90
CDRH3D23NP-5R6P□	F	5.6±25%	75.0(60)	1.10	0.80	1.80
CDRH3D23NP-6R8P□	G	6.8±25%	87.8(72)	1.00	0.75	1.70
CDRH3D23NP-8R2P□	H	8.2±25%	94.8(77)	0.95	0.70	1.60
CDRH3D23NP-100M□	I	10.0±20%	117(95)	0.85	0.60	1.40
CDRH3D23NP-150M□	J	15.0±20%	191(154)	0.70	0.50	0.85
CDRH3D23NP-220M□	K	22.0±20%	270(219)	0.55	0.40	0.75
CDRH3D23NP-330M□	L	33.0±20%	381(307)	0.50	0.35	0.60
CDRH3D23NP-470M□	M	47.0±20%	546(441)	0.35	0.25	0.55

**※ Description Of Part Name**

CDRH3D23NP-1R0P□



※1. Saturation current: The DC current at which the inductance decreases to 65% of its nominal value.

※2. Temperature rise current: The DC current at which the temperature rise is  $\Delta t=40^{\circ}\text{C}$ . ( $T_a=20^{\circ}\text{C}$ )