

DC/DC power module 2.5 V/4.4 A/11W

- SMD package with ultra low component height 8.0 mm (0.315 in.)
- 83% efficiency at full load
- 1,500 Vdc isolation voltage
- Synchronous rectification
- MTTF >10 million hours at +50°C case temperature
- Low EMI



Patents Pending

The MacroDens™ PKF 4919B I true component level on-board DC/DC power modules are intended as distributed power sources in decentralized –48 and –60VDC power systems.

The over-moulded rugged design also makes them suitable for other demanding industrial applications. They are optimized for an operational ambient temperature range in compliance with present and

future application needs, including non temperature controlled environments. The mechanical design offers a surface mount version, delivered in ready-to-use tubes, trays or tape & reel package, and compatibility with semi and fully aqueous cleaning processes.

For mechanical and other information please refer to the PKF series General information data sheet.

Absolute Maximum Ratings

Characteristics		min	max	Unit
T _C	Case temperature at full output power	-45	+100	°C
T _S	Storage temperature	-55	+125	°C
V _I	Continuous input voltage ¹⁾	-0.5	+75	Vdc
V _{ISO}	Isolation voltage (input to output test voltage)	1,500		Vdc
E _{tr}	Transient input energy		0.10	Ws
V _{RC}	Remote control voltage pin 11 ref. to pin 17	-5	+16	Vdc
V _{adj}	Output adjust voltage pin 8 ref. to pin 17	-5	+40	Vdc

Stress in excess of Absolute Maximum Ratings may cause permanent damage. Absolute Maximum Ratings, sometimes referred to as no destruction limits, are normally tested with one parameter at a time exceeding the limits of Output data or Electrical Characteristics. If exposed to stress above these limits, function and performance may degrade in an unspecified manner.

Input T_C < T_{Cmax} unless otherwise specified

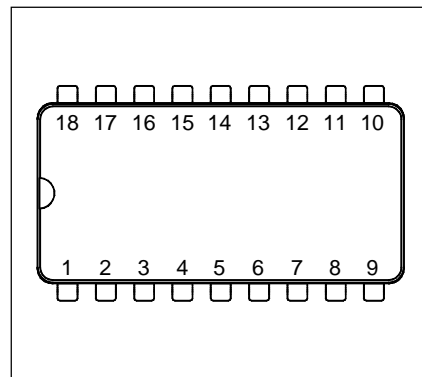
Characteristics		Conditions	min	typ	max	Unit
V _I	Input voltage range ¹⁾²⁾		36		75	V
V _{Ioff}	Turn-off input voltage	See typical characteristics	30.0	33.0	35.0	V
V _{Ion}	Turn-on input voltage	See typical characteristics	32.0	34.5	36.0	V
C _i	Input capacitance			1.4		μF
P _{li}	Input idling power	I _O =0, T _C =-30...+95 °C	(V _I =53V) (V _I =66V)	600 700		mW
P _{RC}	Input stand-by power	T _C =-30...+95 °C, RC connected to pin 17	(V _I =53V) (V _I =66V)	40 60		mW

NOTES:

- The input voltage range 36...75 Vdc meets the European Telecom Standard prETS 300 132-2 Nominal input voltage range in 48 V and 60 Vdc power systems, -40.5...-57.0 V and -50.0...-72.0 V respectively. Absolute max continuous input voltage is 75 Vdc.
- The power modules will operate down to ≤35V, when V_I decreases, but will turn on at V_I ≤36V, when V_I increases (see also Operating information).

Connections

Pin	Designation	Function
1	Out 1	Output 1(+)
2	Rtn	Output return.
3	Out 1	Output 1(+), Preferred output.
4-7	NC	Not connected. Galvanically isolated from other pins.
8	V _{adj}	Output voltage adjust.
9-10	NC	Not connected.
11	RC	Remote control and turn-on/off input voltage adjust
12-16	NC	Not connected. Galvanically isolated from other pins.
17	-In	Negative input.
18	+In	Positive input.



Note: Galvanic isolation is verified in an electric strength test. Test voltage is 1,500 Vdc for 60 s. In final test however, duration is decreased to 1s. Pin 1 and 3 must be connected for optimum performance.

Safety

The PKF 4919B I DC/DC power module is designed in accordance with EN 60 950, *Safety of information technology equipment including electrical business equipment*.

The PKF power modules are recognized by UL and meet the applicable requirements in UL 1950 *Safety of information technology equipment*, the applicable Canadian safety requirements and UL 1012 *Standard for power supplies*.

The DC/DC power module shall be installed in an end-use equipment and considerations should be given to measuring the case temperature to comply with T_{Cmax} when in operation. Abnormal component tests are conducted with the input protected by an external 15 A fuse. The need for repeating these tests in the end-use appliance shall be considered if installed in a circuit having higher rated devices.

When the supply to the DC/DC power module meets all the requirements for SELV (<60Vdc), the output is considered to remain within SELV limits (level 3). The isolation is an operational insulation in accordance with EN 60 950.

The DC/DC power module is intended to be supplied by isolated secondary circuitry and shall be installed in compliance with the requirements of the ultimate application. If they are connected to a 60 V DC system reinforced insulation must be provided in the power supply that isolates the input from the mains. Single fault testing in the power supply must be performed in combination with the DC/DC power module to demonstrate that the output meets the requirement for SELV. One pole of the input and one pole of the output is to be grounded or both are to be kept floating.

The terminal pins are only intended for connection to mating connectors of internal wiring inside the end-use equipment.

These DC/DC power modules may be used in telephone equipment in accordance with paragraph 34 A.1 of UL 1459 (Standard for Telephone Equipment, second edition).

The galvanic isolation is verified in an electric strength test. Test voltage (V_{ISO}) between input and output is 1,500 Vdc for 60 s. In production the test duration may be decreased to 1 s.

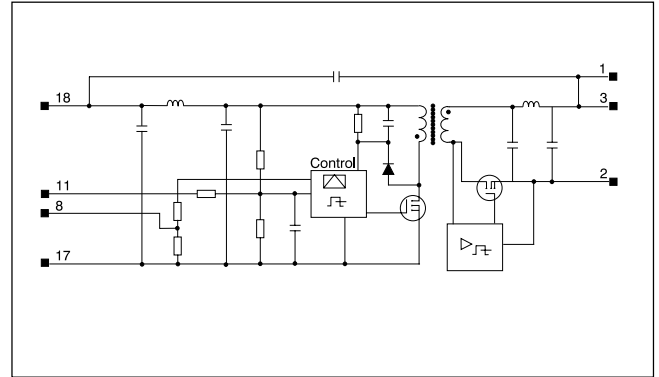
The capacitor between input and output has a value of 2.2 nF and the leakage current is less than 1 μ A @ 53 Vdc.

The case is designed in non-conductive epoxy. Its flammability rating meets UL 94V-0. The oxygen index is 34%.

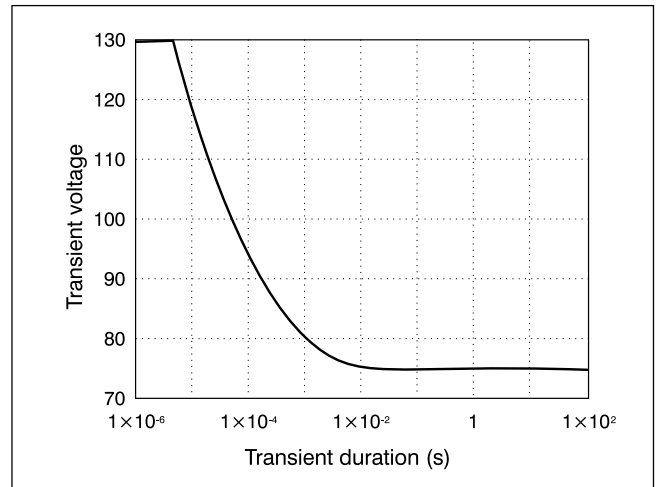
Electrical Data

Fundamental circuit diagram

Single output



Transient input voltage



Single voltage pulse at +25°C ambient temperature.

Output

$T_C = -30 \dots +95^\circ\text{C}$, $V_I = 36 \dots 75\text{ V}$.

Characteristics		Conditions		Output 1			Unit
				min	typ	max	
V _{Oi}	Output voltage initial setting and accuracy	$T_C = +25^\circ\text{C}$, $I_O = 3.5\text{ A}$, $V_I = 53\text{ V}$		2.43	2.50	2.56	V
	Output adjust range ¹⁾			2.20		2.80	V
V _O	Output voltage tolerance band	Long term drift included	$I_O = 0.4 \dots 4.4\text{ A}$	2.39		2.61	V
			$I_O = 0.4 \dots 4.0\text{ A}$, Pin1	2.32		2.61	V
	Idling voltage	$I_O = 0\text{ A}$	2.36	2.5	2.65	V	
	Line regulation	$I_O = 4.4\text{ A}$	$V_I = 36 \dots 60\text{ V}$	7			mV
			$V_I = 55 \dots 75\text{ V}$	0			
Load regulation	$I_O = 0 \dots 4.4\text{ A}$, $V_I = 53\text{ V}$	30			mV		
t _{tr}	Load transient recovery time	$I_O = 0.3 \dots 4.4\text{ A}$, $V_I = 53\text{ V}$ load step= 2.0A	60			μs	
V _{tr}	Load transient voltage		230			mV	
T _{coeff}	Temperature coefficient ²⁾	$I_O = 4.4\text{ A}$, $T_C = 40 \dots +90^\circ\text{C}$	0.2			mV/°C	
t _r	Ramp-up time	$I_O = 0.3 \dots 4.4 \dots \text{A}$, $0.1 \dots 0.9 \times V_{O_i}$, $V_I = 53\text{ V}$	2			ms	
t _s	Start-up time	$I_O = 0.3 \dots 4.4 \dots \text{A}$, $V_I = 53\text{ V}$ From V_I connection to $V_O = 0.9 \times V_{O_i}$	6			ms	
I _O	Output current ²⁾		0		4.4	A	
P _{Omax}	Max output power ²⁾	Calculated value			11	W	
I _{lim}	Current limiting threshold	$T_C < T_{Cmax}$, $V_O = 2.2\text{ V}$	5.9			A	
I _{sc}	Short circuit current	$V_O = 0.2 \dots 0.5\text{ V}$, $T_C = +25^\circ\text{C}$	6.5			A	
V _{Oac}	Output ripple & noise	$I_O = 3\text{ A}$	20 Hz...5 MHz		20	50	mV _{p-p}
			20 Hz...5 MHz		30	75	mV _{p-p}
		$I_O = 4.4\text{ A}$	0.4...50 MHz			80	dBμV
SVR	Supply voltage rejection (ac)	$f = 100\text{ Hz}$ sine wave, $1V_{p-p}$, $V_I = 53\text{ V}$ ($SVR = 20 \log (1 V_{p-p}/V_{O-p-p})$)	60			dB	

1) See also Operating Information

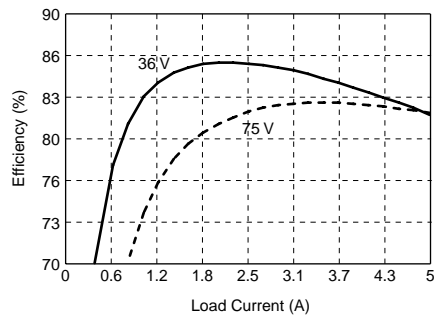
2) See Typical Characteristics

Miscellaneous

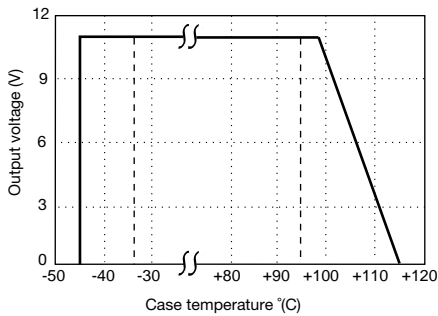
Characteristics		Conditions	min	typ	max	Unit
η	Efficiency	$I_O = 4.4\text{ A}$	$V_I = 53\text{ V}$	78	83	%
			$V_I = 66\text{ V}$	78	83	
P _d	Power dissipation	$I_O = 4.4\text{ A}$	$V_I = 53\text{ V}$		3.2	W
			$V_I = 60\text{ V}$		3.2	

Typical Characteristics

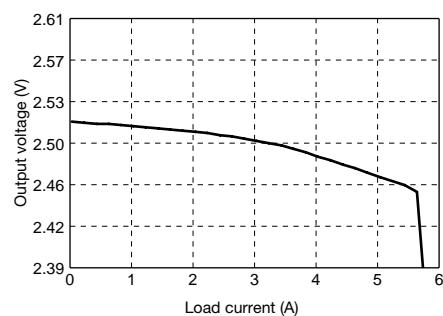
Efficiency (typ) @ $T_A = +25^\circ\text{C}$



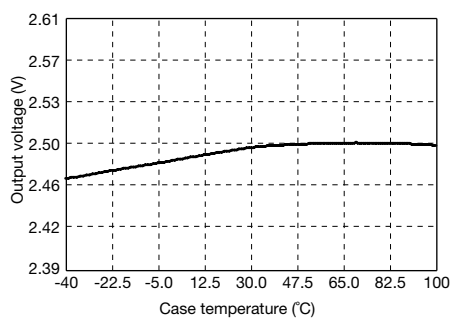
Power derating



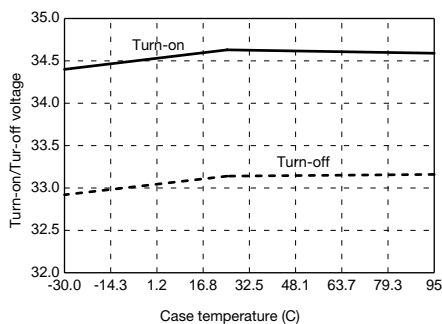
Output characteristic (typ)



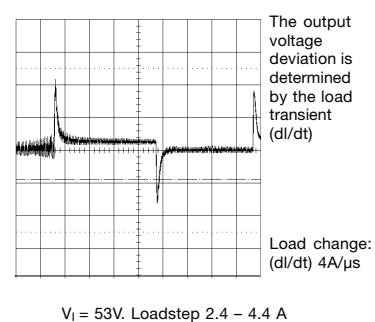
Temperature coefficient



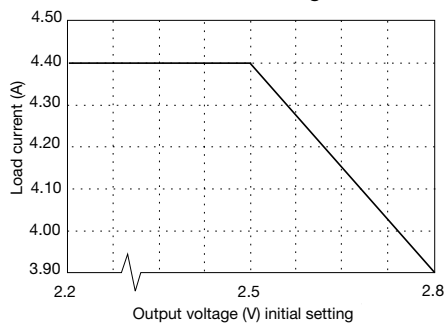
Turn-on/turn-off input voltage



Dynamic load response (typ) @ $+25^\circ\text{C}$



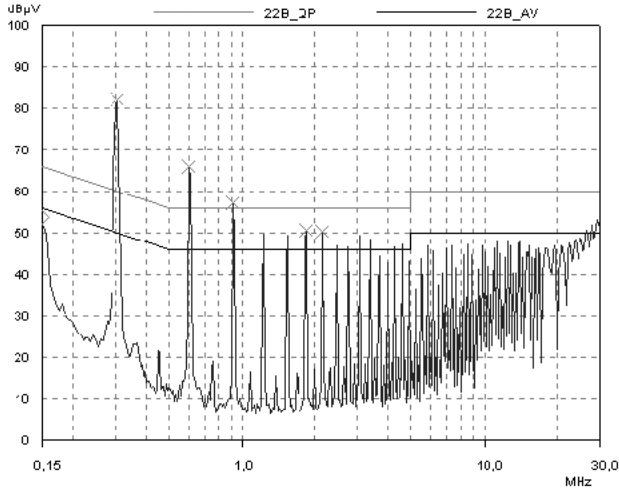
Current derating



EMC Specifications

The PKF power module is measured directly.
The fundamental switching frequency is 305 kHz $\pm 5\%$ @
 $I_O = (0.1 \dots 1.0) \times I_{Omax}$.

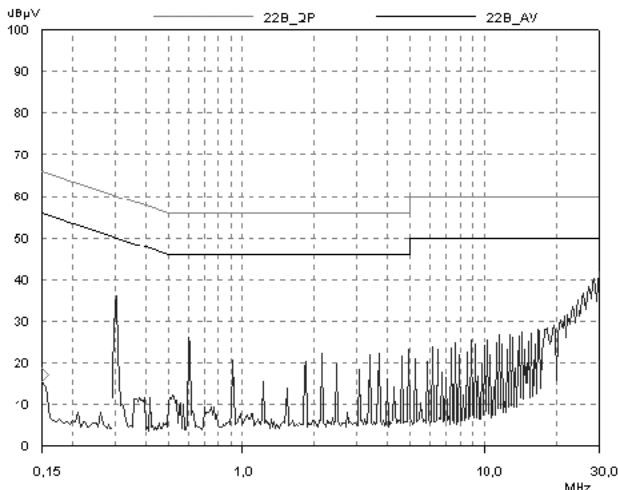
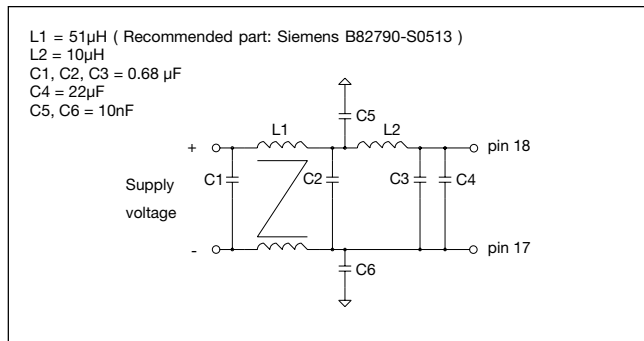
Conducted EMI (input terminals)



PKF 4919B without filter

External Filter (class B)

Required external input filter in order to meet class B in EN 55022, CISPR 22 and FCC part 15J.



PKF 4919B with 51µH common mode series inductor

Radiated EMS (Electro-Magnetic Fields)

Radiated EMS is measured according to test methods in IEC Standard publ. 801-3. No deviation outside the V_O tolerance band will occur under the following conditions:

Frequency range	Voltage level
0.01...200 MHz	3 V_{rms}/m
200...1,000 MHz	3 V_{rms}/m
1...12 GHz	10 V_{rms}/m

Conducted EMS

Electro Magnetic Susceptibility is measured by injection of electrical disturbances on the input terminals. No deviation outside the V_O tolerance band will occur under the following conditions:

Frequency range	Voltage level
30...300 MHz	1.0 V_{rms}

The signal is amplitude modulated with 1 kHz/80% and applied in both differential and common mode.

ESD

Electro Static Discharge is tested according to IEC publ. 801-2. No destruction will occur if the following voltage levels are applied to any of the terminal pins:

Test	Voltage level
Air discharge	± 4 kV
Contact discharge	± 2 kV

EFT

Electrical Fast Transients on the input terminals could affect the output voltage regulation causing functional errors on the Printed Board Assembly (PBA). The PKF power modules withstand EFT levels of 0.5 kV keeping V_O within the tolerance band and 2.0 kV without destruction. Tested according to IEC publ. 801-4.

Output Ripple & Noise (V_{Oac})

Output ripple is measured as the peak to peak voltage of the fundamental switching frequency.

Operating Information

Remote Control (RC)

Turn-on or turn-off can be realized by using the RC-pin. If pin 11 is connected to pin 17 the power module turns off. Normal operation is achieved if pin 11 is open (NC). To ensure safe turn-off the voltage difference between pin 11 and 17 shall be less than 1.0V. RC is an open collector compatible output with a sink capacity of 1mA (see fig. 1).

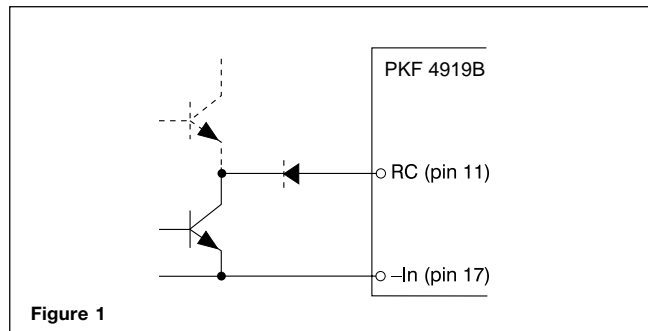


Figure 1

Turn-on/off Input Voltage

The power module monitors the input voltage and will turn on and turn off at predetermined levels. This is not adjustable.

Output Voltage Adjust (V_{adj})

Output voltage, V_O , can be adjusted by using an external resistor or other external circuitry. If other circuitry is used, the slew rate has to be limited to maximum 5 V/ms.

To increase V_O a resistor should be connected between pin 8 and 17. To calculate the appropriate resistor use the following formula:

$$R_{adj_{nom}} = 4.14 \times \frac{(1.28 \times V_{O_i} - V_{O_d})}{(V_{O_d} - V_{O_i})} \text{ (k}\Omega\text{)}$$

V_{O_i} is the output voltage initial setting.

V_{O_d} is the desired output voltage.

To decrease V_O it is necessary to connect a current source to pin 8. (see fig. 2).

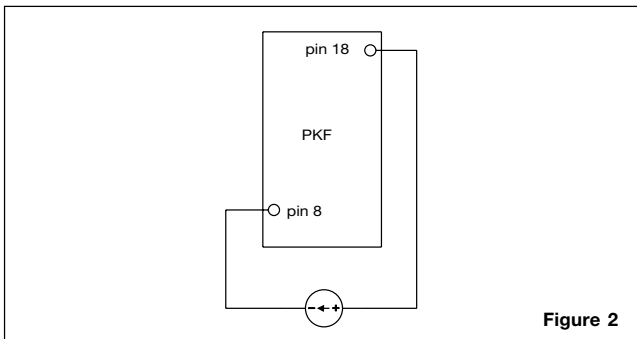


Figure 2

Use the following formula to calculate the necessary current.

$$I_{adj} = 943 \times \left(1 - \frac{V_{O_d}}{V_{O_i}}\right) \text{ (}\mu\text{A)}$$

Parallel Operation

Contact Ericsson for more information.

Order Info

Version	Part No.
Surface mount	PKF 4919B SI

Information given in this data sheet is believed to be accurate and reliable. No responsibility is assumed for the consequences of its use nor for any infringement of patents or other rights of third parties which may result from its use. No license is granted by implication or otherwise under any patent or patent rights of Ericsson Microelectronics. These products are sold only according to Ericsson Microelectronics' general conditions of sale, unless otherwise confirmed in writing. Specifications subject to change without notice.

Ericsson Microelectronics
SE-164 81 KISTA, Sweden
Phone: +46 8 757 5000
www.ericsson.com/microelectronics

For local sales contacts, please refer to our website
or call: Int. +46 8 757 4700, Fax: +46 8 757 4776

The latest and most complete information can be found on our website!

Data Sheet

EN/LZT 146 98 R1A
© Ericsson Microelectronics AB, June 2001