

NOTES:

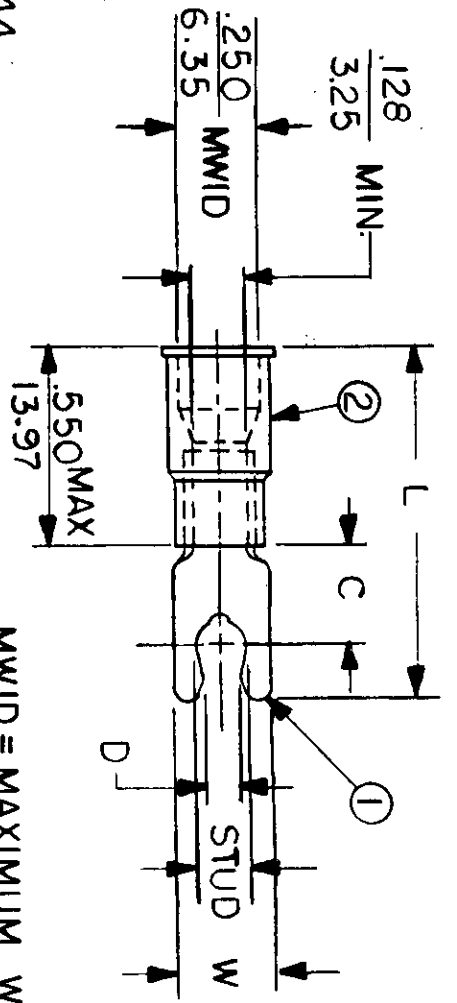
- ① MAT'L: COPPER(STOCK TKN  $\frac{.040}{1.02}$ )
- PLATING: ELECTRO-TIN (.0003 MIN.)
- ② INSULATION: MOLDED PVC (YELLOW)

STUD SIZES: ( $\pm .005$ )

- 02 = .094
- 04 = .119
- 06 = .146
- 08 = .173
- 10 = .198
- 14 = .265
- 56 = .328
- 38 = .390

"UL" LISTING #E32244  
 "CSA" LISTING #18689

ALL DIMENSIONS = INCHES  
 M M



MWID = MAXIMUM WIRE  
 INSULATION DIAMETER  
 WIRE SIZE: 12-10 AWG  
 4.0-6.0 MM<sup>2</sup>

PART NUMBER	"W" ±.010	"C" MIN.	"L" MAX.	"D" ±.005	AVAILABLE STUD SIZES	DIMENSIONAL TOLERANCES UNLESS OTHERWISE SPECIFIED		
						FRAC.	DEC.	ANG.
C-2710 -	$\frac{.250}{6.35}$	$\frac{.230}{5.84}$	$\frac{.955}{24.26}$	$\frac{.105}{2.68}$	05X $\frac{.127}{3.25}$ ±.005			
C-2710 -	$\frac{.250}{6.35}$	$\frac{.230}{5.84}$	$\frac{.955}{24.26}$	$\frac{.114}{2.90}$	06X			
C-2711 -	$\frac{.375}{9.53}$	$\frac{.261}{6.63}$	$\frac{1.016}{25.81}$	$\frac{.139}{3.53}$	08X			
C-2712 -	$\frac{.406}{10.31}$	$\frac{.261}{6.63}$	$\frac{1.064}{27.03}$	$\frac{.156}{3.96}$	10X			

REFERENCE	SCALE:	NTS	DATE	TITLE:
	DRWN. BY: JJ		11-1-84	SNAP SPADE SHORT TONGUE TERMINAL INSULKRIMP 200-SERIES
	CHKD. BY: GZ		11-26-84	
	APPRD. BY:			

DWG. NO. A	CUSTOMER DWG.
------------	---------------

