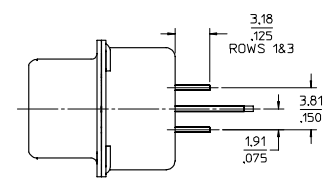
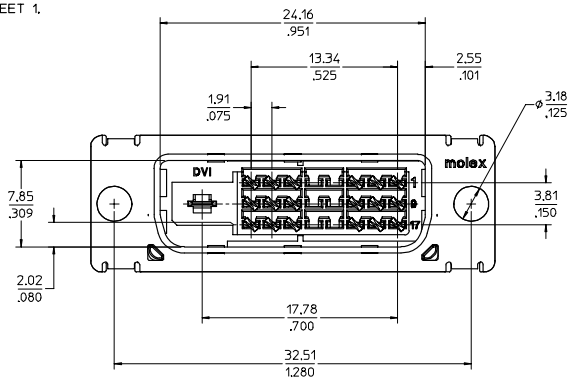
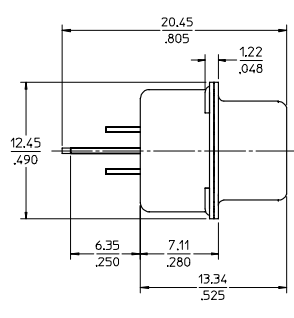
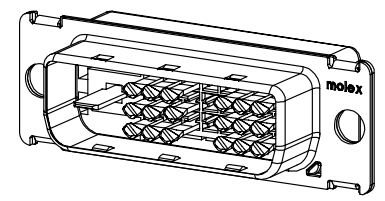
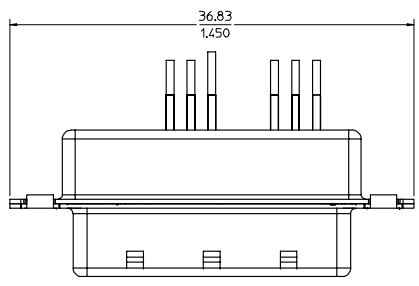


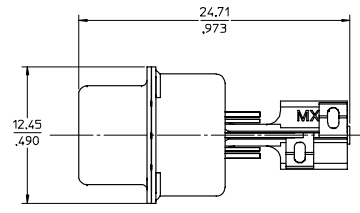
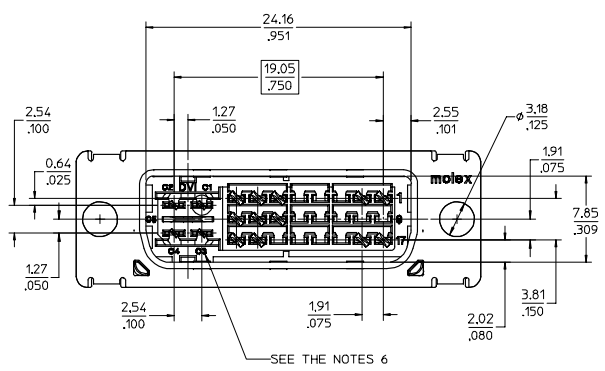
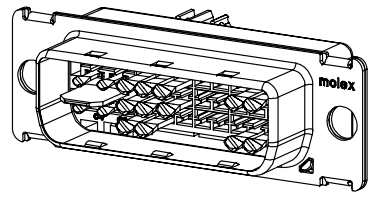
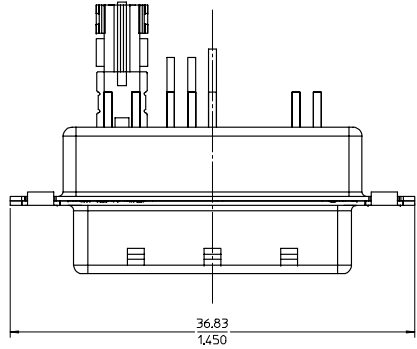
NOTES:
 1. MATERIALS: HOUSING: HIGH TEMPERATURE PLASTIC
 UL 94V-0, COLOR: BLACK
 TERMINAL: COPPER ALLOY
 SHIELD: STEEL ALLOY
 2. FINISH: TERMINAL: SEE THE CHART FOR GOLD PLATING OVER 127 MICROMETER (50 μ) NICKEL IN CONTACT AREA AND 3.81 MICROMETER (150 μ) PURE TIN OVER 1.27 MICROMETER (50 μ) NICKEL AT SOLDERING AREA.
 SHIELD: 3.81 MICROMETER (150 μ) BRIGHT TIN OVER 1.27 MICROMETER (50 μ) NICKEL OVERALL.
 3. PRODUCT SPECIFICATION: PS-74320-001 .
 4. PACKAGING: PARTS ARE TO BE PACKAGED 40 PCS PER TRAY.
 5. THE LOADED CIRCUITS SEE THE CHART.
 6. THE TEXTS ARE SHOWN FOR REFERENCE ONLY.
 7. THE DIMENSION SHOWN ON SHEET 1 REFLECT THE DVI-D SINGLE AND DUAL CHANNEL SUB-ASSEMBLY.
 THE DIMENSION SHOWN ON SHEET 2 REFLECT THE DVI-A AND DVI-I SUB-ASSEMBLY, FOR ALL OTHER DIMENSIONS REFER TO SHEET 1.



LEAD-FREE	EC NO: SH2005-0067 DRWN: DXUE 2004/8/25 CHK: YTYA2004/09/03 APPR: JZHOU	QUALITY SYMBOLS	GENERAL TOLERANCES (UNLESS SPECIFIED)		SCALE 4:1	DESIGN UNITS INCH	THIRD ANGLE PROJECTION	REVISE ON CAD ONLY		
		DESCRIPTION	mm	INCH	DIMENSION STYLE IN/MM		DVI HIGH VOLUME PLUG CONNECTOR SUB-ASSEMBLY			
		▽.0	4 PLACES ± .010	± .010	DRAWN BY JASON	DATE 99/09/12	MOLEX INCORPORATED			
		▽.0	5 PLACES ± .025	± .025	CHECKED BY RAFF	DATE 99/09/22	MATERIAL NO. SEE CHART			
			1 PLACE ± .010	± .010	APPROVED BY MEGA	DATE 99/09/22	DOCUMENT NO. SD-74323-003		SHEET NO. 1 OF 2	
			ANGULAR ± 1°		THIS DRAWING CONTAINS INFORMATION THAT IS PROPRIETARY TO MOLEX INCORPORATED AND SHOULD NOT BE USED WITHOUT WRITTEN PERMISSION					
			DRAFT WHERE APPLICABLE MUST REMAIN WITHIN DIMENSIONS							

74323

PART NUMBER	DESCRIPTION	LOADED CIRCUITS REF.
74323-2001	DVI-D Au FLASH SINGLE LINK	1-3,6-8,9-11,14-16,17-19,22-24, WITH KEY
74323-2002	DVI-D 30 u' Au SINGLE LINK	
74323-2003	DVI-D Au FLASH DUAL LINK	1-24, WITH KEY
74323-2004	DVI-D 30 u' Au DUAL LINK	
74323-2011	DVI-A Au FLASH	1-2,6-8,14-16,17-18,23-24, C1,C2,C3,C4,C5
74323-2012	DVI-A 30 u' Au	
74323-2031	DVI-I Au FLASH SINGLE LINK	1-3,6-8,9-11,14-16,17-19,22-24, C1,C2,C3,C4,C5
74323-2032	DVI-I 30 u' Au SINGLE LINK	
74323-2033	DVI-I Au FLASH DUAL LINK	1-24, C1,C2,C3,C4,C5
74323-2034	DVI-I 30 u' Au DUAL LINK	



LEAD-FREE	EC NO.	QUALITY SYMBOLS	GENERAL TOLERANCES (UNLESS SPECIFIED)	SCALE	DESIGN UNITS	THIRD ANGLE PROJECTION	REVISE ON CAD ONLY
	DRWN: DNUE 2002/07/25	DESCRIPTION	mm INCH	4:1 INCH	IN/MM		
	CHK: YIYAR004/09/03	▽.0	4 PLACES ± .010	DRAWN BY	DATE	DVI HIGH VOLUME PLUG CONNECTOR SUB-ASSEMBLY	
	APPR: ZHOU	▽.0	5 PLACES ± .010	JASON	99/09/12		MOLEX INCORPORATED
REV		2 PLACES ± 0.25	CHECKED BY	DATE	MATERIAL NO. SEE CHART	DOCUMENT NO. SD-74323-003	
		1 PLACE ± .010	RAFF	99/09/22			THIS DRAWING CONTAINS INFORMATION THAT IS PROPRIETARY TO MOLEX INCORPORATED AND SHOULD NOT BE USED WITHOUT WRITTEN PERMISSION
		ANGULAR ± 1°	APPROVED BY	DATE			
		DRAFT WHERE APPLICABLE MUST REMAIN WITHIN DIMENSIONS	MEGA	99/09/22			

Ib_frame_C rev. A 11/01/98