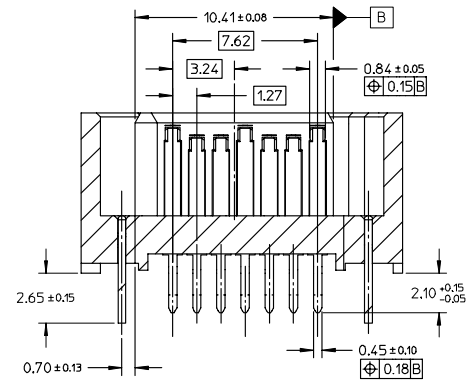
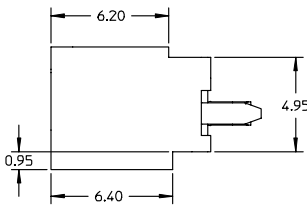
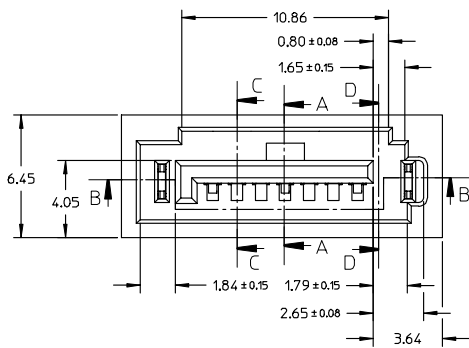
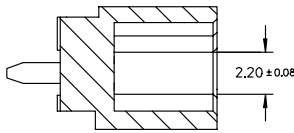


SECTION A-A

SECTION C-C



SECTION B-B



SECTION D-D

ADD PART NUMBER EC NO. SH2007-0134 DRW: HCHEN26 CHK: J. JIAN APPR: J. CHEN	DESCRIPTION 2006/09/01 2006/09/01 2006/09/08	QUALITY SYMBOLS	GENERAL TOLERANCES (UNLESS SPECIFIED)	DIMENSION STYLE	SCALE	DESIGN UNITS	THIRD ANGLE PROJECTION
		$\nabla=0$ $\nabla=0$		MM ONLY	5:1	METRIC	
				DRAWN BY	DATE	TITLE	
				GRATE	2004/08/05	HIGH SPEED CONNECTOR	
				CHECKED BY	DATE	1.27MM PITCH VERTICAL	
				GRATE	2004/08/05	DIP SOLDER TAIL	
				APPROVED BY	DATE	MOLEX INCORPORATED	
				VINCENT	2004/08/05	MOLEX INCORPORATED	
				MATERIAL NO.	DOCUMENT NO.	SHEET NO.	
				SEE SHEET 2	SD-47155-004	1 OF 2	
				THIS DRAWING CONTAINS INFORMATION THAT IS PROPRIETARY TO MOLEX INCORPORATED AND SHOULD NOT BE USED WITHOUT WRITTEN PERMISSION			

10 9 8 7 6 5 4 3 2 1

F

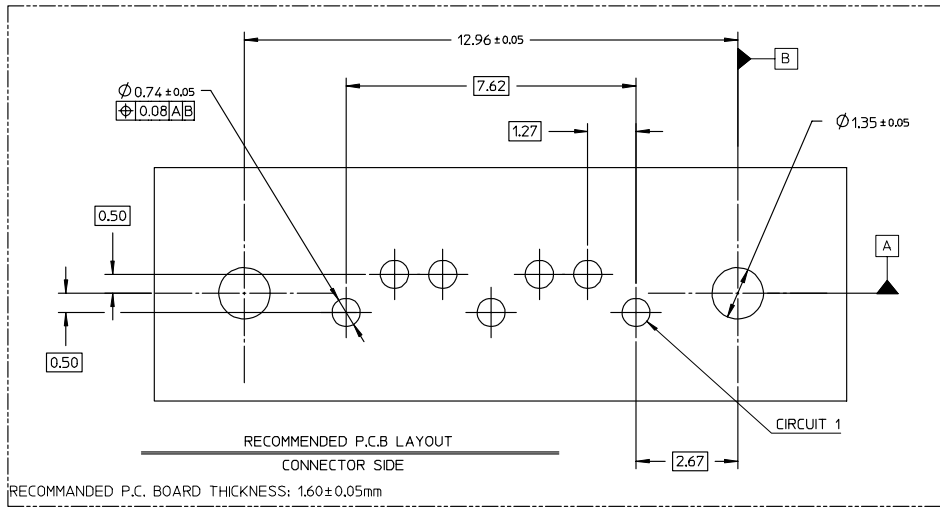
E

D

C

B

A



NOTES:

1. MATERIAL:
 - HOUSING: THERMAL PLASTIC, COLOR: SEE CHART
 - GLASS FILLED: UL94V-0
 - TERMINAL/PEG: BRASS
2. TERMINAL PLATING:
 - CONTACT AREA: GOLD FLASH
 - SOLDER TAIL:
 - TIN PLATED 1.27 MICRON MINIMUM OVER
 - 1.27 MICRON MINIMUM NICKEL UNDER PLATE
3. PEG PLATING:
 - TIN PLATED 1.8 MICRON MINIMUM OVER
 - 1.27 MICRON MINIMUM NICKEL UNDER PLATE
4. PACKAGING: PK-67800-002
5. PRODUCT SPECIFICATION REFER TO PS-67490-001
6. RECOMMENDED PROCESS: WAVE SOLDERING
7. PRODUCT COMPLIANT TO RoHS DIRECTIVE 2002/95/EC AND ELV DIRECTIVE 2000/53/EC*

471554061	SEE NOTE2	IVORY
471554051	SEE NOTE2	LIGHT BLUE
471554041	SEE NOTE2	NATURE COLOR
471554031	SEE NOTE2	PROCESS BLUE C DELTA E<3
471554001	SEE NOTE2	BLACK
MATERIAL NUMBER	PLATING TYPE	PLASTIC COLOR



ADD PART NUMBER EC NO. SH2007-0134 DRAWN BY: DRW:RCHENZ6 CHECKED BY: CHIKO:JITIAN APPR: JINCHEN 2006/09/01 2006/09/01 2006/09/08	QUALITY SYMBOLS	GENERAL TOLERANCES (UNLESS SPECIFIED)	DIMENSION STYLE	SCALE	DESIGN UNITS	THIRD ANGLE PROJECTION
	▽=0	mm INCH	MM ONLY	1:1	METRIC	
	▽=0	4 PLACES ± --- ± ---	DRAWN BY DATE	DATE	TITLE	HIGH SPEED CONNECTOR 1.27MM PITCH VERTICAL DIP SOLDER TAIL
		3 PLACES ± --- ± ---	GRATE 2004/08/05	2004/08/05	MOLEX INCORPORATED	
	2 PLACES ± 0.15 ± ---	CHECKED BY DATE	DATE	DOCUMENT NO.	SHEET NO.	
	1 PLACE ± 0.25 ± ---	GRATE 2004/08/05	2004/08/05	SD-47155-004	2 OF 2	
	ANGULAR ± 1 °	APPROVED BY DATE	DATE	THIS DRAWING CONTAINS INFORMATION THAT IS PROPRIETARY TO MOLEX INCORPORATED AND SHOULD NOT BE USED WITHOUT WRITTEN PERMISSION		
		VINCENT 2004/08/05	2004/08/05			
	DRAFT WHERE APPLICABLE MUST REMAIN WITHIN DIMENSIONS	MATERIAL NO.	SIZE			
			A3			

tb_frame_A3_P_AM.T
Rev. D 2004/06/28

9 8 7 6 5 4 3 2 1

F

E

D

C

B

A