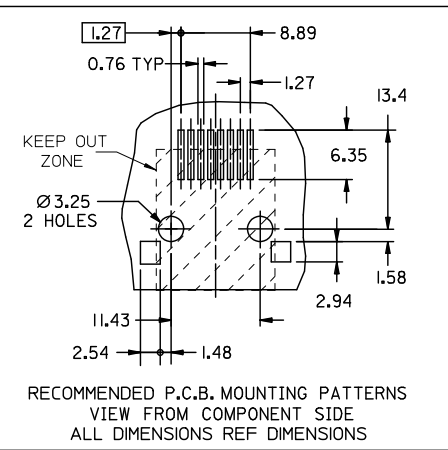


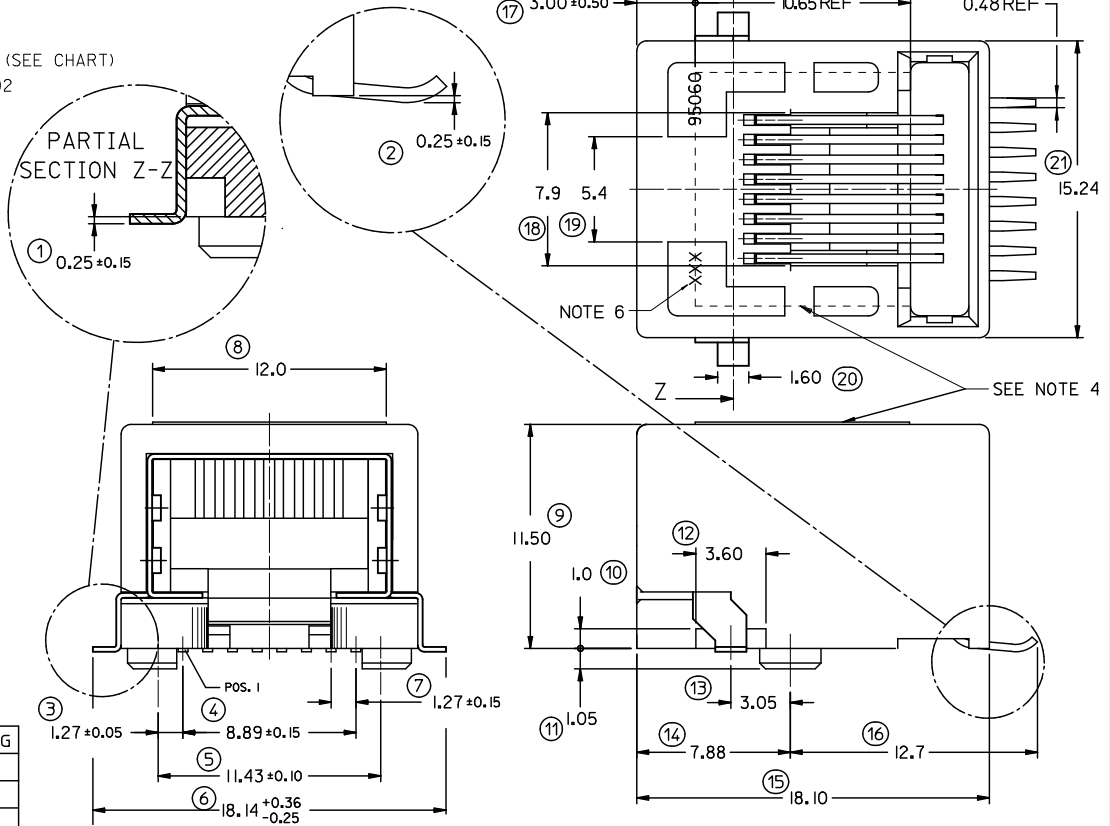
NOTES:

- 1- COPLANARITY OF LEADS : 0.10 MAX.
COPLANARITY OF SHIELD TABS: 0.10 MAX.
 - 2- PACKAGING SPECIFICATION : BLISTER ON REEL (SEE CHART)
 - 3- PRODUCT SPECIFICATION : MOLEX PS-95540-002
 - 4- KAPTON ADHESIVE FOIL: 0.125 THICK.
 - 5- JACK FOR MATING WITH F.C.C. 68 PLUGS
95043 MOLEX SERIES.
 - 6- MANUFACTURING I.D. CAN BE
EITHER MXF, MG OR MXI.
- LAST INSPECTION NUMBER: 21



PART NUMBER	PACKAGING		PLATING
	REEL SIZE	SPECIFICATION	
95540-6886	330	PK-85502 SHT 1	2
95540-7884		PK-85502 SHT 3	7
95540-6888	559	PK-85502 SHT 1	2
95540-7888		PK-85502 SHT 3	7

MATERIAL:
 HOUSING: LCP GLASS FILLED UL 94V0, COLOR: BLACK
 TERMINAL: COPPER ALLOY PLATED WITH:
 PLATING 2: 0.00127 MIN GOLD IN CONTACT AREA, 0.00190 MIN TIN IN TAIL AREA, BOTH OVER 0.00127 MIN NICKEL OVERALL
 PLATING 7: POST PLATE 0.00005 MIN GOLD FLASH OVER 0.00060 MIN PALLADIUM NICKEL IN CONTACT AREA; 0.00190 MIN TIN IN TAIL AREA, BOTH OVER 0.00127 MIN NICKEL OVERALL.
 SHIELD: COPPER ALLOY PLATED WITH 0.0020 MIN. TIN



ADDED DIMENSION E.C. NO: E2012-0079 TDRWN: O'CONNOR 2011/03/11 CHKD: APPREPOLAN 2011/09/28 REV DESCRIPTION	QUALITY SYMBOLS	GENERAL TOLERANCES (UNLESS SPECIFIED)	DIMENSION STYLE	SCALE	DESIGN UNITS	THIRD ANGLE PROJECTION
	$\nabla=0$ $\nabla=0$	mm INCH 4 PLACES ± --- ± --- 3 PLACES ± --- ± --- 2 PLACES ± 0.1 ± --- 1 PLACE ± 0.15 ± --- ANGULAR ± 1/2°	MM ONLY	5:1	METRIC	
	DRAFT WHERE APPLICABLE MUST REMAIN WITHIN DIMENSIONS		DRAWN BY: KNOLLER DATE: 04/06/18 CHECKED BY: FCARABET DATE: 04/06/28 APPROVED BY: KNOLLER DATE: 04/06/29			
			MATERIAL NO. SEE CHART DOCUMENT NO. SD-95540-001 SHEET NO. 2 OF 3			

ib_frame_A3_P_ME_T
 Rev. D 2004/04/02