

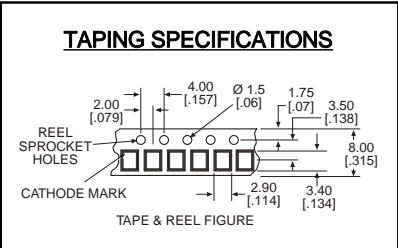
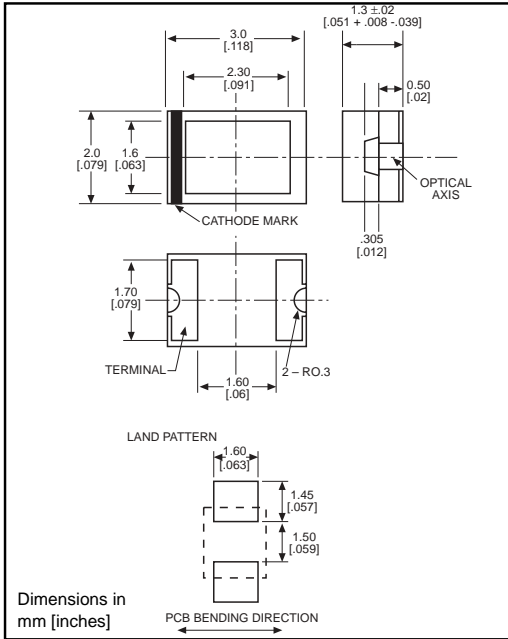
microLED®

Surface Mount LED

Dialight

597-3xx1-5xx

NEW



| PART NO.* | COLOR |
|--------------|------------|
| 597-3021-5xx | Red |
| 597-3111-5xx | AlGaAs Red |
| 597-3211-5xx | Orange |
| 597-3301-5xx | Green |
| 597-3401-5xx | Yellow |

Features

- Compatible with automatic placement equipment
- Compatible with infrared reflow processes
- Packaged on 8mm tape, 7" reels (meets EIA-481-1 standard)
- Helps to eliminate mixed technology PC board processing
- Compatible with Dialight's Optopipe™ Series light pipes

***ORDERING INFORMATION**

597-3xx1-5xx

packaging option ↗

| | |
|----|------------------------|
| 02 | 20 pieces on tape |
| 07 | 7" reel, 2500 pcs/reel |

| ABSOLUTE MAXIMUM RATINGS (T _A =25°C) | Red | AlGaAs Red | Orange | Green | Yellow |
|--|----------------------------|--------------|--------------|--------------|--------------|
| | -3021 | -3111 | -3211 | -3301 | -3401 |
| Power Dissipation (mW) | 70 | 75 | 70 | 70 | 70 |
| Forward Current (mA) | 25 | 30 | 25 | 25 | 25 |
| Derating (mA/°C) Above 25°C | .42 | .42 | .42 | .42 | .42 |
| Peak Current (mA) | 60 | 75 | 60 | 60 | 60 |
| <i>Pulse width = 1 ms</i> | | | | | |
| Operating Temperature (°C) | -30/+85 | -30/+85 | -30/+85 | -30/+85 | -30/+85 |
| Storage Temperature (°C) | -40/+85 | -40/+85 | -40/+85 | -40/+85 | -40/+85 |
| Soldering Profile | 240°C peak, max 10 seconds | | | | |

Solder Adherence per MIL-STD-202E, Method 208C

| OPERATING CHARACTERISTICS (T _A =25°C) | Red | AlGaAs Red | Orange | Green | Yellow |
|---|--------------|--------------|--------------|--------------|--------------|
| | -3021 | -3111 | -3211 | -3301 | -3401 |
| Luminous Intensity (mcd) | Min. 2.2 | 5.6 | 3.6 | 5.6 | 2.2 |
| I _F =20mA | Typical 6.3 | 16 | 10 | 16 | 6.3 |
| Peak Wavelength (nm) | Typical 650 | 660 | 610 | 563 | 585 |
| λ Peak | | | | | |
| Viewing Angle (2θ ½) | Typical 104° | 104° | 104° | 104° | 104° |
| Forward Voltage (V) | Typical 2 | 1.75 | 2 | 2.2 | 2.1 |
| I _F =20mA | Max. 2.8 | 2.5 | 2.8 | 2.8 | 2.8 |
| Reverse Current (µA) | Max 100 | 100 | 100 | 100 | 100 |
| (V _R = 4V) | | | | | |

θ ½ is the off axis angle at which the luminous intensity is half the axial luminous intensity